

Db2 12 for z/OS

ODBC Guide and Reference
Last updated: 2024-04-15



Notes

Before using this information and the product it supports, be sure to read the general information under "Notices" at the end of this information.

Subsequent editions of this PDF will not be delivered in IBM Publications Center. Always download the latest edition from [IBM Documentation](#).

2024-04-15 edition

This edition applies to Db2[®] 12 for z/OS[®] (product number 5650-DB2), Db2 12 for z/OS Value Unit Edition (product number 5770-AF3), and to any subsequent releases until otherwise indicated in new editions. Make sure you are using the correct edition for the level of the product.

Specific changes are indicated by a vertical bar to the left of a change. A vertical bar to the left of a figure caption indicates that the figure has changed. Editorial changes that have no technical significance are not noted.

© **Copyright International Business Machines Corporation 1997, 2024.**

US Government Users Restricted Rights – Use, duplication or disclosure restricted by GSA ADP Schedule Contract with IBM Corp.

Contents

About this information.....	ix
Who should read this information.....	x
Db2 Utilities Suite for z/OS.....	x
Terminology and citations.....	x
Accessibility features for Db2 for z/OS.....	xi
How to send comments.....	xi
How to read syntax diagrams.....	xii
Chapter 1. Introduction to Db2 ODBC.....	1
Db2 ODBC background information.....	1
Differences between Db2 ODBC and ODBC 3.0.....	2
Db2 ODBC support for ODBC features.....	2
Differences between Db2 ODBC and embedded SQL.....	4
Advantages of using Db2 ODBC.....	7
Considerations for choosing between SQL and Db2 ODBC.....	7
Chapter 2. Conceptual view of a Db2 ODBC application.....	9
Initialization and termination of an ODBC program.....	10
Handles.....	10
ODBC connection model.....	11
How to specify the connection type.....	12
How to connect to one or more data sources.....	12
Transaction processing in Db2 ODBC.....	14
Statement handle allocation.....	15
Preparation and execution of SQL statements.....	16
How an ODBC program processes results.....	18
Commit and rollback in Db2 ODBC.....	21
Function for freeing statement handles.....	23
Diagnostics.....	23
Function return codes.....	23
SQLSTATEs for ODBC error reporting.....	24
SQLCA retrieval in an ODBC application.....	25
Data types and data conversion.....	25
C and SQL data types.....	26
C data types that do not map to SQL data types.....	31
Data conversion.....	32
Characteristics of string arguments.....	35
Length of string arguments.....	35
Nul-termination of strings.....	35
String truncation.....	36
Interpretation of strings.....	36
Functions for querying environment and data source information.....	36
Chapter 3. Configuring Db2 ODBC and running sample applications.....	39
Running the SMP/E jobs for Db2 ODBC installation.....	39
The Db2 ODBC run time environment.....	39
Connectivity requirements.....	40
Extra performance linkage.....	41
64-bit ODBC driver.....	41
Db2 ODBC run time environment setup.....	41

Binding DBRMs to create packages.....	42
Binding the application plan.....	44
Setting up Db2 ODBC for the z/OS UNIX environment.....	45
Overview of preparing and executing a Db2 ODBC application.....	46
Db2 ODBC application requirements.....	48
Preparing and executing an ODBC application.....	49
Compiling an ODBC application.....	49
Prelinking and link-editing an ODBC application.....	53
Executing an ODBC application.....	56
How to define a subsystem to Db2 ODBC.....	57
Db2 ODBC initialization file.....	58
How to use the initialization file.....	58
Db2 ODBC initialization keywords.....	60
Database metadata stored procedures.....	81
Migrating to the Db2 12 ODBC driver.....	81
Migrating an ODBC 31-bit application to a 64-bit application.....	82
Example 64-bit ODBC application.....	83

Chapter 4. ODBC functions.....85

Status of support for ODBC functions.....	86
SQLAllocConnect() - Allocate a connection handle.....	92
SQLAllocEnv() - Allocate an environment handle.....	93
SQLAllocHandle() - Allocate a handle.....	93
SQLAllocStmt() - Allocate a statement handle.....	98
SQLBindCol() - Bind a column to an application variable.....	98
SQLBindFileToCol() - Associate a column with a file reference.....	105
SQLBindFileToParam() - Bind a parameter marker to a file reference.....	109
SQLBindParameter() - Bind a parameter marker to a buffer or LOB locator.....	112
SQLBulkOperations() - Add, update, delete or fetch a set of rows.....	127
SQLCancel() - Cancel statement.....	131
SQLCloseCursor() - Close a cursor and discard pending results.....	133
SQLColAttribute() - Get column attributes.....	135
SQLColAttributes() - Get column attributes.....	143
SQLColumnPrivileges() - Get column privileges.....	144
SQLColumns() - Get column information.....	148
SQLConnect() - Connect to a data source.....	155
SQLDataSources() - Get a list of data sources.....	160
SQLDescribeCol() - Describe column attributes.....	163
SQLDescribeParam() - Describe parameter marker.....	168
SQLDisconnect() - Disconnect from a data source.....	171
SQLDriverConnect() - Use a connection string to connect to a data source.....	173
SQLEndTran() - End transaction of a connection.....	178
SQLError() - Retrieve error information.....	181
SQLExecDirect() - Execute a statement directly.....	183
SQLExecute() - Execute a statement.....	189
SQLExtendedFetch() - Fetch an array of rows.....	191
SQLFetch() - Fetch the next row.....	198
SQLFetchScroll() - Fetch the next row.....	204
SQLForeignKeys() - Get a list of foreign key columns.....	212
SQLFreeConnect() - Free a connection handle.....	219
SQLFreeEnv() - Free an environment handle.....	220
SQLFreeHandle() - Free a handle.....	221
SQLFreeStmt() - Free (or reset) a statement handle.....	223
SQLGetConnectAttr() - Get current attribute setting.....	226
SQLGetConnectOption() - Return current setting of a connect option.....	229
SQLGetCursorName() - Get cursor name.....	229
SQLGetData() - Get data from a column.....	234

SQLGetDiagRec () - Get multiple field settings of diagnostic record.....	245
SQLGetEnvAttr () - Return current setting of an environment attribute.....	248
SQLGetFunctions () - Get functions.....	250
SQLGetInfo () - Get general information.....	255
SQLGetLength () - Retrieve length of a string value.....	282
SQLGetPosition () - Find the starting position of a string.....	284
SQLGetSQLCA () - Get SQLCA data structure.....	289
SQLGetStmtAttr () - Get current setting of a statement attribute.....	293
SQLGetStmtOption () - Return current setting of a statement option.....	297
SQLGetSubString () - Retrieve a portion of a string value.....	297
SQLGetTypeInfo () - Get data type information.....	301
SQLMoreResults () - Check for more result sets.....	309
SQLNativeSql () - Get native SQL text.....	312
SQLNumParams () - Get number of parameters in an SQL statement.....	315
SQLNumResultCols () - Get number of result columns.....	316
SQLParamData () - Get next parameter for which a data value is needed.....	319
SQLParamOptions () - Specify an input array for a parameter.....	321
SQLPrepare () - Prepare a statement.....	323
SQLPrimaryKeys () - Get primary key columns of a table.....	329
SQLProcedureColumns () - Get procedure input/output parameter information.....	333
SQLProcedures () - Get a list of procedure names.....	342
SQLPutData () - Pass a data value for a parameter.....	346
SQLRowCount () - Get row count.....	349
SQLSetColAttributes () - Set column attributes.....	352
SQLSetConnectAttr () - Set connection attributes.....	356
SQLSetConnection () - Set connection handle.....	369
SQLSetConnectOption () - Set connection option.....	370
SQLSetCursorName () - Set cursor name.....	371
SQLSetEnvAttr () - Set environment attributes.....	374
SQLSetParam () - Bind a parameter marker to a buffer.....	379
SQLSetPos - Set the cursor position in a rowset.....	380
SQLSetStmtAttr () - Set statement attributes.....	386
SQLSetStmtOption () - Set statement attribute.....	398
SQLSpecialColumns () - Get special (row identifier) columns.....	398
SQLStatistics () - Get index and statistics information for a base table.....	404
SQLTablePrivileges () - Get table privileges.....	409
SQLTables () - Get table information.....	413
SQLTransact () - Transaction management.....	418

Chapter 5. Advanced features..... 419

Functions for setting and retrieving environment, connection, and statement attributes.....	419
Functions for setting and retrieving environment attributes.....	421
Functions for setting and retrieving connection attributes.....	421
Functions for setting and retrieving statement attributes.....	421
ODBC and distributed units of work.....	422
Functions for establishing a distributed unit-of-work connection.....	422
Coordinated connections in a Db2 ODBC application.....	424
Global transactions in ODBC programs.....	427
Use of ODBC for querying the Db2 catalog.....	428
Catalog query functions.....	428
The Db2 ODBC shadow catalog.....	431
Using arrays to pass parameter values.....	433
Retrieval of a result set into an array.....	437
Column-wise binding for array data.....	438
Row-wise binding for array data.....	439
The ODBC row status array.....	440
Column-wise and row-wise binding example.....	442

ODBC limited block fetch.....	443
Scrollable cursors in Db2 ODBC.....	444
Scrollable cursor characteristics in Db2 ODBC.....	444
Relative and absolute scrolling in Db2 ODBC applications.....	445
Steps for retrieving data with scrollable cursors in a Db2 ODBC application.....	447
ODBC scrollable cursor example.....	449
Performing bulk inserts with SQLBulkOperations().....	455
Updates to Db2 tables with SQLSetPos().....	457
Updating rows in a rowset with SQLSetPos().....	457
Deleting rows in a rowset with SQLSetPos().....	459
Input and retrieval of long data in pieces.....	459
Providing long data for bulk inserts and positioned updates.....	461
Examples of using decimal floating point data in an ODBC application.....	462
Variable-length timestamps in ODBC applications.....	464
Using LOBs.....	466
Using LOB locators.....	467
LOB and LOB locator example.....	468
LOB file reference variables in ODBC applications.....	469
XML data in ODBC applications.....	470
XML column updates in ODBC applications.....	470
XML data retrieval in ODBC applications.....	472
Distinct types in Db2 ODBC applications.....	473
Stored procedures for ODBC applications.....	475
Advantages of using stored procedures.....	475
Stored procedure calls in a Db2 ODBC application.....	475
Rules for a Db2 ODBC stored procedure.....	476
Result sets from stored procedures in ODBC applications.....	477
Multithreaded and multiple-context applications in Db2 ODBC.....	479
Db2 ODBC support for multiple Language Environment threads.....	479
When to use multiple Language Environment threads.....	481
Db2 ODBC support of multiple contexts.....	481
External contexts.....	486
Application deadlocks.....	487
Application encoding schemes and Db2 ODBC.....	488
Types of encoding schemes.....	488
Application programming guidelines for handling different encoding schemes.....	488
Suffix-W API function syntax.....	490
Examples of handling the application encoding scheme.....	494
Embedded SQL and Db2 ODBC in the same program.....	502
Vendor escape clauses.....	504
Function for determining ODBC vendor escape clause support.....	504
Escape clause syntax.....	504
ODBC-defined SQL extensions.....	505
Extended indicators in ODBC applications.....	509
ODBC programming hints and tips.....	509
Guidelines for avoiding common problems.....	509
Techniques for improving application performance.....	510
Techniques for reducing network flow.....	513
Techniques for maximizing application portability.....	514
Chapter 6. Problem diagnosis.....	517
ODBC trace types.....	517
Application trace.....	517
ODBC diagnostic trace.....	520
Stored procedure trace.....	526
Abnormal termination.....	530
Internal error code.....	531

Chapter 7. Db2 ODBC reference information.....	533
Db2 ODBC and ODBC differences.....	533
Db2 ODBC and ODBC drivers.....	533
ODBC APIs and data types.....	534
Isolation levels.....	536
Extended scalar functions.....	536
Errors returned by extended scalar functions.....	537
String functions.....	537
Date and time functions.....	538
System functions.....	538
SQLSTATE cross reference.....	539
Data conversion between the application and the database server.....	554
SQL data type attributes.....	554
SQL to C data conversion.....	559
C to SQL data conversion.....	570
Deprecated ODBC functions.....	580
Deprecated ODBC functions and their replacements.....	580
Changes to SQLGetInfo() InfoType argument values.....	581
Changes to SQLSetConnectAttr() attributes.....	581
Changes to SQLSetEnvAttr() attributes.....	582
Changes to SQLSetStmtAttr() attributes.....	582
ODBC 3.0 driver behavior.....	582
SQLSTATE mappings	583
Changes to datetime data types	585
Example Db2 ODBC code.....	586
DSN803VP sample application.....	586
Client application calling a Db2 ODBC stored procedure	589
Appendix A. Node.js support in Db2 for z/OS.....	605
Appendix B. Python support for Db2 for z/OS.....	607
Troubleshooting IBM_DB Python driver support through Db2 for z/OS ODBC.....	607
Information resources for Db2 for z/OS and related products.....	611
Notices.....	613
Programming interface information.....	614
Trademarks.....	614
Terms and conditions for product documentation.....	614
Privacy policy considerations.....	615
Glossary.....	617
Index.....	619

About this information

This information provides the information necessary to write applications that use Db2 ODBC to access IBM® Db2 servers, or to access any database system that supports DRDA level 1 or DRDA level 2 protocols. This information should also be used as a supplement for writing portable ODBC applications that can be executed in a native environment using Db2 ODBC.

Throughout this information, "Db2" means "Db2 12 for z/OS". References to other Db2 products use complete names or specific abbreviations.

Important: To find the most up to date content for Db2 12 for z/OS, always use [IBM Documentation](#) or download the latest PDF file from [PDF format manuals for Db2 12 for z/OS \(Db2 for z/OS in IBM Documentation\)](#).

Most documentation topics for Db2 12 for z/OS assume that the highest available function level is activated and that your applications are running with the highest available application compatibility level, with the following exceptions:

- The following documentation sections describe the Db2 12 migration process and how to activate new capabilities in function levels:
 - [Migrating to Db2 12 \(Db2 Installation and Migration\)](#)
 - [What's new in Db2 12 \(Db2 for z/OS What's New?\)](#)
 - [Adopting new capabilities in Db2 12 continuous delivery \(Db2 for z/OS What's New?\)](#)
- [FL 501 A](#) label like this one usually marks documentation changed for function level 500 or higher, with a link to the description of the function level that introduces the change in Db2 12. For more information, see [How Db2 function levels are documented \(Db2 for z/OS What's New?\)](#).

The availability of new function depends on the type of enhancement, the activated function level, and the application compatibility levels of applications. In the initial Db2 12 release, most new capabilities are enabled only after the activation of function level 500 or higher.

Virtual storage enhancements

Virtual storage enhancements become available at the activation of the function level that introduces them or higher. Activation of function level 100 introduces all virtual storage enhancements in the initial Db2 12 release. That is, activation of function level 500 introduces no virtual storage enhancements.

Subsystem parameters

New subsystem parameter settings are in effect only when the function level that introduced them or a higher function level is activated. Many subsystem parameter changes in the initial Db2 12 release take effect in function level 500. For more information about subsystem parameter changes in Db2 12, see [Subsystem parameter changes in Db2 12 \(Db2 for z/OS What's New?\)](#).

Optimization enhancements

Optimization enhancements become available after the activation of the function level that introduces them or higher, and full prepare of the SQL statements. When a full prepare occurs depends on the statement type:

- For static SQL statements, after bind or rebind of the package
- For non-stabilized dynamic SQL statements, immediately, unless the statement is in the dynamic statement cache
- For stabilized dynamic SQL statements, after invalidation, free, or changed application compatibility level

Activation of function level 100 introduces all optimization enhancements in the initial Db2 12 release. That is, function level 500 introduces no optimization enhancements.

SQL capabilities

New SQL capabilities become available after the activation of the function level that introduces them or higher, for applications that run at the equivalent application compatibility level or higher. New SQL capabilities in the initial Db2 12 release become available in function level 500 for applications that run at the equivalent application compatibility level or higher. You can continue to run SQL statements compatibly with lower function levels, or previous Db2 releases, including Db2 11 and DB2® 10. For details, see [Application compatibility levels in Db2 \(Db2 Application programming and SQL\)](#)

Who should read this information

This information is for the following users:

- Db2 for z/OS application programmers with a knowledge of SQL and the C programming language.
- ODBC application programmers with a knowledge of SQL and the C programming language.

Db2 Utilities Suite for z/OS

Important: Db2 Utilities Suite for z/OS is available as an optional product. You must separately order and purchase a license to such utilities, and discussion of those utility functions in this publication is not intended to otherwise imply that you have a license to them.

Db2 12 utilities can use the DFSORT program regardless of whether you purchased a license for DFSORT on your system. For more information about DFSORT, see <https://www.ibm.com/support/pages/dfsor>.

Db2 utilities can use IBM Db2 Sort for z/OS as an alternative to DFSORT for utility SORT and MERGE functions. Use of Db2 Sort for z/OS requires the purchase of a Db2 Sort for z/OS license. For more information about Db2 Sort for z/OS, see [Db2 Sort for z/OS documentation](#).

Related concepts

[Db2 utilities packaging \(Db2 Utilities\)](#)

Terminology and citations

When referring to a Db2 product other than Db2 for z/OS, this information uses the product's full name to avoid ambiguity.

The following terms are used as indicated:

Db2

Represents either the Db2 licensed program or a particular Db2 subsystem.

IBM rebranded DB2 to Db2, and Db2 for z/OS is the new name of the offering that was previously known as "DB2 for z/OS". For more information, see [Revised naming for IBM Db2 family products on IBM z/OS platform](#). As a result, you might sometimes still see references to the original names, such as "DB2 for z/OS" and "DB2", in different IBM web pages and documents. If the PID, Entitlement Entity, version, modification, and release information match, assume that they refer to the same product.

IBM OMEGAMON® for Db2 Performance Expert on z/OS

Refers to any of the following products:

- IBM IBM OMEGAMON for Db2 Performance Expert on z/OS
- IBM Db2 Performance Monitor on z/OS
- IBM Db2 Performance Expert for Multiplatforms and Workgroups
- IBM Db2 Buffer Pool Analyzer for z/OS

C, C++, and C language

Represent the C or C++ programming language.

CICS®

Represents CICS Transaction Server for z/OS.

IMS

Represents the IMS Database Manager or IMS Transaction Manager.

MVS™

Represents the MVS element of the z/OS operating system, which is equivalent to the Base Control Program (BCP) component of the z/OS operating system.

RACF®

Represents the functions that are provided by the RACF component of the z/OS Security Server.

Accessibility features for Db2 for z/OS

Accessibility features help a user who has a physical disability, such as restricted mobility or limited vision, to use information technology products successfully.

Accessibility features

The following list includes the major accessibility features in z/OS products, including Db2 for z/OS. These features support:

- Keyboard-only operation.
- Interfaces that are commonly used by screen readers and screen magnifiers.
- Customization of display attributes such as color, contrast, and font size

Tip: [IBM Documentation](#) (which includes information for Db2 for z/OS) and its related publications are accessibility-enabled for the IBM Home Page Reader. You can operate all features using the keyboard instead of the mouse.

Keyboard navigation

For information about navigating the Db2 for z/OS ISPF panels using TSO/E or ISPF, refer to the *z/OS TSO/E Primer*, the *z/OS TSO/E User's Guide*, and the *z/OS ISPF User's Guide*. These guides describe how to navigate each interface, including the use of keyboard shortcuts or function keys (PF keys). Each guide includes the default settings for the PF keys and explains how to modify their functions.

Related accessibility information

IBM and accessibility

See the *IBM Accessibility Center* at <http://www.ibm.com/able> for more information about the commitment that IBM has to accessibility.

How to send your comments about Db2 for z/OS documentation

Your feedback helps IBM to provide quality documentation.

Send any comments about Db2 for z/OS and related product documentation by email to db2zinfo@us.ibm.com.

To help us respond to your comment, include the following information in your email:

- The product name and version
- The address (URL) of the page, for comments about online documentation
- The book name and publication date, for comments about PDF manuals
- The topic or section title
- The specific text that you are commenting about and your comment

Related concepts

[About Db2 12 for z/OS product documentation \(Db2 for z/OS in IBM Documentation\)](#)

Related reference

[PDF format manuals for Db2 12 for z/OS \(Db2 for z/OS in IBM Documentation\)](#)

How to read syntax diagrams

Certain conventions apply to the syntax diagrams that are used in IBM documentation.

Apply the following rules when reading the syntax diagrams that are used in Db2 for z/OS documentation:

- Read the syntax diagrams from left to right, from top to bottom, following the path of the line.

The $\blacktriangleright \blacktriangleright \text{---}$ symbol indicates the beginning of a statement.

The $\text{---} \blacktriangleright$ symbol indicates that the statement syntax is continued on the next line.

The $\blacktriangleright \text{---}$ symbol indicates that a statement is continued from the previous line.

The $\text{---} \blacktriangleleft$ symbol indicates the end of a statement.

- Required items appear on the horizontal line (the main path).

$\blacktriangleright \text{---} \text{required_item} \blacktriangleleft$

- Optional items appear below the main path.

$\blacktriangleright \text{---} \text{required_item} \text{---} \text{optional_item} \text{---} \blacktriangleleft$

If an optional item appears above the main path, that item has no effect on the execution of the statement and is used only for readability.

$\blacktriangleright \text{---} \text{required_item} \text{---} \text{optional_item} \text{---} \blacktriangleleft$

- If you can choose from two or more items, they appear vertically, in a stack.

If you *must* choose one of the items, one item of the stack appears on the main path.

$\blacktriangleright \text{---} \text{required_item} \text{---} \text{required_choice1} \text{---} \text{required_choice2} \text{---} \blacktriangleleft$

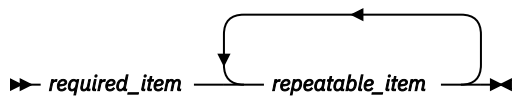
If choosing one of the items is optional, the entire stack appears below the main path.

$\blacktriangleright \text{---} \text{required_item} \text{---} \text{optional_choice1} \text{---} \text{optional_choice2} \text{---} \blacktriangleleft$

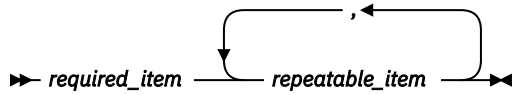
If one of the items is the default, it appears above the main path and the remaining choices are shown below.

$\blacktriangleright \text{---} \text{required_item} \text{---} \text{default_choice} \text{---} \text{optional_choice} \text{---} \text{optional_choice} \text{---} \blacktriangleleft$

- An arrow returning to the left, above the main line, indicates an item that can be repeated.

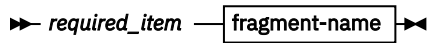


If the repeat arrow contains a comma, you must separate repeated items with a comma.

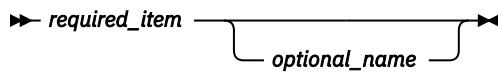


A repeat arrow above a stack indicates that you can repeat the items in the stack.

- Sometimes a diagram must be split into fragments. The syntax fragment is shown separately from the main syntax diagram, but the contents of the fragment should be read as if they are on the main path of the diagram.



fragment-name



- For some references in syntax diagrams, you must follow any rules described in the description for that diagram, and also rules that are described in other syntax diagrams. For example:
 - For *expression*, you must also follow the rules described in [Expressions \(Db2 SQL\)](#).
 - For references to *fullselect*, you must also follow the rules described in [fullselect \(Db2 SQL\)](#).
 - For references to *search-condition*, you must also follow the rules described in [Search conditions \(Db2 SQL\)](#).
- With the exception of XPath keywords, keywords appear in uppercase (for example, FROM). Keywords must be spelled exactly as shown.
- XPath keywords are defined as lowercase names, and must be spelled exactly as shown.
- Variables appear in all lowercase letters (for example, *column-name*). They represent user-supplied names or values.
- If punctuation marks, parentheses, arithmetic operators, or other such symbols are shown, you must enter them as part of the syntax.

Related concepts

[Commands in Db2 \(Db2 Commands\)](#)

[Db2 online utilities \(Db2 Utilities\)](#)

[Db2 stand-alone utilities \(Db2 Utilities\)](#)

Chapter 1. Introduction to Db2 ODBC

Db2 ODBC offers advantages over SQL and provides helpful extensions for application programming.

Db2 Open Database Connectivity (ODBC) is the IBM callable SQL interface by the Db2 family of products. It is a C and C++ language application programming interface for relational database access, and it uses function calls to pass dynamic SQL statements as function arguments. It is an alternative to embedded dynamic SQL, but unlike embedded SQL, it does not require a precompiler.

Db2 ODBC is based on the Windows Open Database Connectivity (ODBC) specification, and the X/Open Call Level Interface specification. These specifications were chosen as the basis for the Db2 ODBC in an effort to follow industry standards and to provide a shorter learning curve for those application programmers familiar with either of these *data source* interfaces. In addition, some Db2 specific extensions were added to help the Db2 application programmer specifically exploit Db2 features.

Related concepts

Advantages of using Db2 ODBC

Db2 ODBC provides a number of key features that offer advantages in contrast to embedded SQL.

Db2 ODBC background information

The Db2 ODBC interface allows you to create portable applications. The interface also allows you to load drivers dynamically at run time.

Differences between Db2 ODBC and embedded SQL

Even though key differences exist between Db2 ODBC and embedded SQL, Db2 ODBC can execute any SQL statements that can be prepared dynamically in embedded SQL.

Considerations for choosing between SQL and Db2 ODBC

Before you determine which interface to use, consider key factors like performance, encapsulation, and security.

Db2 ODBC background information

The Db2 ODBC interface allows you to create portable applications. The interface also allows you to load drivers dynamically at run time.

To understand Db2 ODBC or any callable SQL interface, you should understand what it is based on, and to compare it with existing interfaces.

The X/Open Company and the SQL Access Group jointly developed a specification for a callable SQL interface referred to as the X/Open Call Level Interface. The goal of this interface is to increase the portability of applications by enabling them to become independent of any one database product vendor's programming interface. Most of the X/Open Call Level Interface specification was accepted as part of the ISO Call Level Interface Draft International Standard (ISO CLI DIS).

Microsoft developed a callable SQL interface called Open Database Connectivity (ODBC) for Microsoft operating systems based on a preliminary draft of X/Open CLI. The Call Level Interface specifications in ISO, X/Open, ODBC, and Db2 ODBC continue to evolve in a cooperative manner to provide functions with additional capabilities.

The ODBC specification also includes an operating environment where data source specific ODBC drivers are dynamically loaded at run time by a driver manager based on the data source name provided on the connect request. The application is linked directly to a single driver manager library rather than to each database management system's library. The driver manager mediates the application's function calls at run time and ensures they are directed to the appropriate ODBC driver.

The ODBC driver manager only knows about the ODBC-specific functions, that is, those functions supported by the database management system for which no API is specified. Therefore, functions that are specific to one database management system cannot be directly accessed in an ODBC environment. However, dynamic SQL statements that are specific to a database management system are indirectly supported using a mechanism called the vendor escape clause.

ODBC is not limited to Microsoft operating systems. Other implementations are available, such as Db2 ODBC, or are emerging on various platforms.

Related concepts

Vendor escape clauses

Vendor escape clauses increase the portability of your application if your application accesses multiple data sources from different vendors. However, if your application accesses only Db2 data sources, you have no reason to use vendor escape clauses.

Differences between Db2 ODBC and ODBC 3.0

Several differences exist between the drivers and runtime environment of Db2 ODBC and ODBC 3.0.

Db2 ODBC is derived from the ISO Call Level Interface Draft International Standard (ISO CLI DIS) and ODBC 3.0.

If you port existing ODBC applications to Db2 for z/OS or write a new application according to the ODBC specifications, you must comply with the specifications defined in this publication. However, before you write to any API, validate that the API is supported by Db2 ODBC and that the syntax and semantics are identical. For any differences, you must code to the APIs documented in this publication.

On the Db2 for z/OS platform, no ODBC driver manager exists. Consequently, Db2 ODBC support is implemented as a CLI/ODBC driver/driver manager that is loaded at run time into the application address space.

The Db2 for Linux®, UNIX, and Windows support for CLI executes on Windows and AIX® as an ODBC driver, loaded by the Windows driver manager (Windows environment) or the Visigenic driver manager (UNIX platforms). In this context, Db2 ODBC support is limited to the ODBC specifications. Alternatively, an application can directly invoke the CLI application programming interfaces (APIs) including those not supported by ODBC. In this context, the set of APIs supported by Db2 for Linux, UNIX, and Windows is referred to as the "Call Level Interface."

The use of Db2 ODBC in this publication refers to Db2 for z/OS support of Db2 ODBC unless otherwise noted.

Related concepts

Db2 ODBC and ODBC drivers

Differences exist between the Db2 ODBC and ODBC drivers. Generally, Db2 ODBC supports a subset of the functions that the ODBC driver provides.

The Db2 ODBC run time environment

Db2 ODBC support is implemented as an IBM C/C++ Dynamic Load Library (DLL). All API calls are routed through the single ODBC driver that is loaded at run time into the application address space.

Related information

Microsoft open database connectivity (ODBC)

Db2 ODBC support for ODBC features

Db2 ODBC supports ODBC 3.0 features with certain exceptions.

Db2 ODBC support should be viewed as consisting of most of ODBC 3.0 along with IBM extensions. Where differences exist, applications should be written to the specifications defined in this publication.

Db2 ODBC supports the following ODBC functionality:

- ODBC core conformance with the following exceptions:
 - Manipulating fields of descriptors is not supported. Db2 ODBC does not support `SQLCopyDesc()`, `SQLGetDescField()`, `SQLGetDescRec()`, `SQLSetDescField()`, or `SQLSetDescRec()`.
 - Driver management is not supported. The ODBC driver manager and support for `SQLDrivers()` is not applicable in the Db2 for z/OS ODBC environment.
- ODBC level 1 conformance with the following exceptions:

- Asynchronous execution of ODBC functions for individual connections is not supported.
- Connecting interactively to data sources is not supported. Db2 ODBC does not support `SQLBrowseConnect()` and supports `SQLDriverConnect()` with `SQL_DRIVER_NOPROMPT` only.
- ODBC level 2 conformance with the following exceptions:
 - Asynchronous execution of ODBC functions for individual statements is not supported.
 - Bookmarks are not supported. Db2 ODBC does not support `SQLFetchScroll()` with `SQL_FETCH_BOOKMARK`; `SQLBulkOperations()` with `SQL_UPDATE_BY_BOOKMARK`, `SQL_DELETE_BY_BOOKMARK`, or `SQL_FETCH_BY_BOOKMARK`; or retrieving bookmarks on column 0 with `SQLDescribeColumn()` and `SQLColAttribute()`.
 - The `SQL_ATTR_LOGIN_TIMEOUT` connection attribute, which times out login requests, and the `SQL_ATTR_QUERY_TIMEOUT` statement attribute, which times out SQL queries, are not supported.
- Some X/Open CLI functions
- Some Db2 specific functions

The following Db2 features are available to both ODBC and Db2 ODBC applications:

- The double-byte (graphic) data types
- Stored procedures
- Distributed unit of work (DUW) as defined by DRDA, two-phase commit
- Distinct types
- User-defined functions
- Unicode and ASCII support

Db2 ODBC contains extensions to access Db2 features that can not be accessed by ODBC applications:

- SQLCA access for detailed Db2 specific diagnostic information
- Control over nul-termination of output strings
- Support for large objects (LOBs) and LOB locators

Related concepts

ODBC and distributed units of work

You can write Db2 ODBC applications to use distributed units of work.

Stored procedures for ODBC applications

You can design an application to run in two parts: one part on the client and one part on the server.

Stored procedures are server applications that run at the database, within the same transaction as a client application.

Length of string arguments

String arguments for both output and input have associated length arguments. You should always use a valid output length argument.

Using LOBs

The term large object (LOB) refers to any type of large object. Db2 supports three LOB data types: binary large object (BLOB), character large object (CLOB), and double-byte character large object (DBCLOB).

Application encoding schemes and Db2 ODBC

Unicode and ASCII are alternatives to the EBCDIC character encoding scheme. The Db2 ODBC driver supports input and output character string arguments to ODBC APIs and input and output host variable data in each of these encoding schemes.

Distinct types in Db2 ODBC applications

You can define your own SQL data type, which is called *distinct types*. When you create a distinct type, you base it on an existing SQL built-in type. This SQL built-in type is called the *source type*.

Related reference

[SQLGetSQLCA\(\) - Get SQLCA data structure](#)

SQLGetSQLCA() returns the SQLCA (SQL communication area) that is associated with preparing and executing an SQL statement, fetching data, or closing a cursor. The SQLCA can return supplemental information about the data that is obtained by SQLGetDiagRec().

Status of support for ODBC functions

Each function has its own ODBC 3.0 conformance level, and Db2 ODBC support level, and certain functions are deprecated.

Db2 ODBC initialization keywords

Db2 ODBC initialization keywords control the run time environment for Db2 ODBC applications.

Db2 ODBC and ODBC differences

Db2 ODBC and standard ODBC differ in several ways for their drivers, data types, and isolation levels.

Differences between Db2 ODBC and embedded SQL

Even though key differences exist between Db2 ODBC and embedded SQL, Db2 ODBC can execute any SQL statements that can be prepared dynamically in embedded SQL.

An application that uses an embedded SQL interface requires a precompiler to convert the SQL statements into code, which is then compiled, bound to the data source, and executed. In contrast, a Db2 ODBC application does not have to be precompiled or bound, but instead uses a standard set of functions to execute SQL statements and related services at run time.

This difference is important because, traditionally, precompilers have been specific to each database product, which effectively ties your applications to that product. Db2 ODBC enables you to write portable applications that are independent of any particular database product. Because you do not precompile ODBC applications, the Db2 ODBC driver imposes a fixed set of precompiler options on statements that you execute through ODBC. These options are intended for general ODBC applications.

This independence means Db2 ODBC applications do not have to be recompiled or rebound to access different Db2 or DRDA data sources, but rather just connect to the appropriate data source at run time.

Db2 ODBC and embedded SQL also differ in the following ways:

- Db2 ODBC does not require the explicit declaration of cursors. They are generated by Db2 ODBC as needed. The application can then use the generated cursor in the normal cursor fetch model for multiple-row SELECT statements and positioned UPDATE and DELETE statements.
- The OPEN statement is not used in Db2 ODBC. Instead, the execution of a SELECT automatically causes a cursor to be opened.
- Unlike embedded SQL, Db2 ODBC allows the use of parameter markers on the equivalent of the EXECUTE IMMEDIATE statement (the SQLExecDirect() function).
- A COMMIT or ROLLBACK in Db2 ODBC is issued using the SQLEndTran() function call rather than by passing it as an SQL statement.
- Db2 ODBC manages statement related information on behalf of the application, and provides a *statement handle* to refer to it as an abstract object. This handle eliminates the need for the application to use product specific data structures.
- Similar to the statement handle, the *environment handle* and *connection handle* provide a means to refer to all global variables and connection specific information.
- Db2 ODBC uses the SQLSTATE values defined by the X/Open SQL CAE specification. Although the format and most of the values are consistent with values used by the IBM relational database products, differences do exist (some ODBC SQLSTATEs and X/Open defined SQLSTATEs also differ).

Despite these differences, embedded SQL and Db2 ODBC share the following concept in common: Db2 ODBC can execute any SQL statement that can be prepared dynamically in embedded SQL.

Table 1 on page 5 lists each Db2 for z/OS SQL statement and indicates whether you can execute that statement with Db2 ODBC.

Each database management system might have additional statements that can be dynamically prepared, in which case Db2 ODBC passes them to the database management system.

Exception: COMMIT and ROLLBACK can be dynamically prepared by some database management systems but are not passed. The SQLEndTran() function should be used instead to specify either COMMIT or ROLLBACK.

Table 1. ODBC support for SQL statements

SQL statement	Dynamic ¹	Db2 ODBC ²
ALTER TABLE	Yes	Yes
ALTER DATABASE	Yes	Yes
ALTER INDEX	Yes	Yes
ALTER STOGROUP	Yes	Yes
ALTER TABLESPACE	Yes	Yes
BEGIN DECLARE SECTION ³	No	No
CALL	No	Yes ⁴
CLOSE	No	SQLFreeHandle()
COMMENT ON	Yes	Yes
COMMIT	Yes	SQLEndTran()
CONNECT (type 1)	No	SQLConnect(), SQLDriverConnect()
CONNECT (type 2)	No	SQLConnect(), SQLDriverConnect()
CREATE { ALIAS, DATABASE, INDEX, STOGROUP, SYNONYM, TABLE, TABLESPACE, VIEW, DISTINCT TYPE }	Yes	Yes
DECLARE CURSOR ³	No	SQLAllocHandle()
DECLARE STATEMENT	No	No
DECLARE TABLE	No	No
DECLARE VARIABLE	No	No
DELETE	Yes	Yes
DESCRIBE	No	SQLDescribeCol(), SQLColAttribute()
DROP	Yes	Yes
END DECLARE SECTION ³	No	No
EXECUTE	No	SQLExecute()
EXECUTE IMMEDIATE	No	SQLExecDirect()
EXPLAIN	Yes	Yes
FETCH	No	SQLFetch(), SQLExtendedFetch()
FREE LOCATOR ⁴	No	Yes
GET DIAGNOSTICS	No	No
GRANT	Yes	Yes
HOLD LOCATOR ⁴	No	Yes
INCLUDE ³	No	No
INSERT	Yes	Yes

Table 1. ODBC support for SQL statements (continued)

SQL statement	Dynamic ¹	Db2 ODBC ²
LABEL ON	Yes	Yes
LOCK TABLE	Yes	Yes
MERGE ⁵ on page 6	Yes	Yes
OPEN	No	SQLExecute(), SQLExecDirect()
PREPARE	No	SQLPrepare()
RELEASE	No	No
RENAME	Yes	Yes
REVOKE	Yes	Yes
ROLLBACK	Yes	SQLEndTran()
select-statement	Yes	Yes
SELECT INTO	No	No
SET CONNECTION	No	SQLSetConnection()
SET host_variable	No	No
SET CURRENT APPLICATION ENCODING SCHEME	No	No
SET CURRENT DEGREE	Yes	Yes
SET CURRENT PACKAGESET	No	No
SET CURRENT PATH	Yes	Yes
SET CURRENT SCHEMA	Yes	Yes
SET CURRENT SQLID	Yes	Yes
UPDATE	Yes	Yes
WHENEVER ³	No	No

Note:

1. All statements in this list can be coded as static SQL, but only those marked Yes can be coded as dynamic SQL.
2. An X indicates that this statement can be executed using either SQLExecDirect(), or SQLPrepare() and SQLExecute(). Equivalent Db2 ODBC functions are listed.
3. This statement is not executable.
4. Although this statement is not dynamic, Db2 ODBC allows the statement to be specified when calling either SQLExecDirect() or SQLPrepare() and SQLExecute().
5. The FOR n ROWS clause cannot be specified in a MERGE statement in a Db2 ODBC program. To specify the number of rows to be merged, use SQLSetStmtAttr() with the SQL_ATTR_PARAMSET_SIZE statement attribute.

Related reference

[SQLSTATE cross reference](#)

SQLSTATEs are returned by the Db2 ODBC application as a diagnostic tool for encountered errors, indicating the cause for these errors.

Advantages of using Db2 ODBC

Db2 ODBC provides a number of key features that offer advantages in contrast to embedded SQL.

Db2 ODBC has the following features:

- Ideally suits the client-server environment in which the target data source is unknown when the application is built. It provides a consistent interface for executing SQL statements, regardless of which database server the application connects to.
- Lets you write portable applications that are independent of any particular database product. Db2 ODBC applications do not have to be recompiled or rebound to access different Db2 or DRDA data sources. Instead they connect to the appropriate data source at run time.
- Reduces the amount of management required for an application while in general use. Individual Db2 ODBC applications do not need to be bound to each data source. Bind files provided with Db2 ODBC need to be bound only once for all Db2 ODBC applications.
- Lets applications connect to multiple data sources from the same application.
- Allocates and controls data structures, and provides a handle for the application to refer to them. Applications do not have to control complex global data areas such as the SQLDA and SQLCA.
- Provides enhanced parameter input and fetching capability. You can specify arrays of data on input to retrieve multiple rows of a result set directly into an array. You can execute statements that generate multiple result sets.
- Lets you retrieve multiple rows and result sets generated from a call to a stored procedure.
- Provides a consistent interface to query catalog information that is contained in various database management system catalog tables. The result sets that are returned are consistent across database management systems. Application programmers can avoid writing version-specific and server-specific catalog queries.
- Provides extended data conversion which requires less application code when converting information between various SQL and C data types.
- Aligns with the emerging ISO CLI standard in addition to using the accepted industry specifications of ODBC and X/Open CLI.
- Allows application developers to apply their knowledge of industry standards directly to Db2 ODBC. The interface is intuitive for programmers who are familiar with function libraries but know little about product specific methods of embedding SQL statements into a host language.

Considerations for choosing between SQL and Db2 ODBC

Before you determine which interface to use, consider key factors like performance, encapsulation, and security.

Introductory concepts

[Submitting SQL statements to Db2 \(Introduction to Db2 for z/OS\)](#)

[Dynamic SQL applications \(Introduction to Db2 for z/OS\)](#)

[Use of ODBC to execute dynamic SQL \(Introduction to Db2 for z/OS\)](#)

Db2 ODBC is ideally suited for query-based applications that require portability. Use the following information to help you decide which interface meets your needs.

ODBC is a dynamic SQL interface

Only embedded SQL applications can use static SQL. Both static and dynamic SQL have advantages. Consider these factors:

Performance

Dynamic SQL is prepared at run time. Static SQL is prepared at bind time. The preparation step for dynamic SQL requires more processing and might incur additional network traffic.

However, static SQL does not always perform better than dynamic SQL. Dynamic SQL can make use of changes to the data source, such as new indexes, and can use current catalog statistics to choose the optimal access plan.

Encapsulation and security

In static SQL, authorization to objects is associated with a package and validated at package bind time. Database administrators can grant execute authority on a particular package to a set of users rather than grant explicit access to each database object.

In dynamic SQL, authorization is validated at run time on a per statement basis; therefore, users must be granted explicit access to each database object.

ODBC applications can call a stored procedures that use static SQL

An application programmer can create a stored procedure that contains static SQL. The stored procedure is called from within a Db2 ODBC application and executed on the server. After the stored procedure is created, any Db2 ODBC or ODBC application can call it.

An ODBC application can mix static and dynamic SQL:

You can write a mixed application that uses both Db2 ODBC and embedded SQL. In this scenario, Db2 ODBC provides the base application, and you write key modules using static SQL for performance or security. Choose this option only if stored procedures do not meet your applications requirements.

Db2 ODBC does not support embedded SQL statements in a multiple context environment.

Related concepts

Embedded SQL and Db2 ODBC in the same program

You can combine embedded static SQL with Db2 ODBC to write a mixed application. For 64-bit applications, you cannot use embedded static SQL statements.

Db2 ODBC support of multiple contexts

A *context* is the Db2 ODBC equivalent of a Db2 thread. Contexts are the structures that describe the logical connections that an application makes to data sources and the internal Db2 ODBC connection information that allows applications to direct operations to a data source.

Differences between static and dynamic SQL (Db2 Application programming and SQL)

Chapter 2. Conceptual view of a Db2 ODBC application

A typical Db2 ODBC application includes initialization, transaction processing, and termination tasks.

You can consider a Db2 ODBC application as a set of tasks. Some of these tasks consist of discrete steps, while others might apply throughout the application. One or more Db2 ODBC functions carry out each of these core tasks.

Every Db2 ODBC application performs three core tasks: initialization, transaction processing, and termination. The following figure illustrates an ODBC application in terms of these tasks.

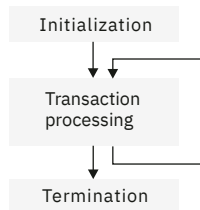


Figure 1. Conceptual view of a Db2 ODBC application

Initialization

This task allocates and initializes some resources in preparation for the transaction processing task.

Transaction processing

This task provides functionality to the application. It passes SQL statements to Db2 ODBC that query and modify data.

Termination

This task frees allocated resources. The resources generally consist of data areas identified by unique handles.

In addition to the three tasks listed above, general tasks, such as handling diagnostic messages, occur throughout an application.

Related concepts

Functions for querying environment and data source information

Db2 ODBC provides functions that let applications retrieve information about the characteristics and capabilities of the current ODBC driver or the data source to which it is connected.

Advanced features

Db2 ODBC provides advanced features for performing setting and retrieving attributes, working with global transactions, querying the catalog, and using LOBs, XML documents, and distinct types.

Diagnostics

Diagnostics deal with warning or error conditions that are generated within an application.

Data types and data conversion

When you write a Db2 ODBC application, you must work with both SQL data types and C data types. The database server uses SQL data types, and the application uses C data types.

Initialization and termination of an ODBC program

Initialization and termination processes allocate and free resources by using handles.

Transaction processing in Db2 ODBC

Transaction processing is the second core task after initialization. During this task, SQL statements query and modify data in Db2 ODBC.

Characteristics of string arguments

String arguments in Db2 ODBC rely on conventions.

Related information

ODBC functions

Db2 ODBC provides various SQL-related functions with unique purposes, diagnostics, and restrictions.

Initialization and termination of an ODBC program

Initialization and termination processes allocate and free resources by using handles.

The following figure shows the function call sequences for both the initialization and termination tasks.

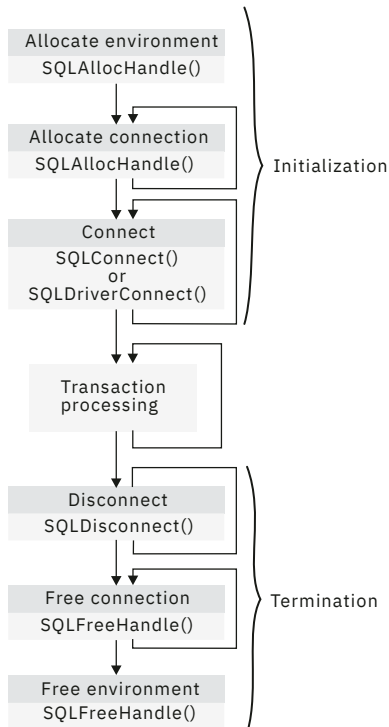


Figure 2. Conceptual view of initialization and termination tasks

In the initialization task, an application allocates handles and connects to data sources. In the termination task, an application frees handles and disconnects from data sources. Use handles and the ODBC connection model to initialize and terminate an application.

Related concepts

Transaction processing in Db2 ODBC

Transaction processing is the second core task after initialization. During this task, SQL statements query and modify data in Db2 ODBC.

Handles

A *handle* is a variable that refers to a data object that is controlled by Db2 ODBC. The environment, connection, and statement handles are necessary for the initialization and termination processes.

Using handles relieves the application from managing global variables or data structures, such as the SQLDA or SQLCA, that the IBM embedded SQL interfaces use.

Db2 ODBC defines the three following handles:

Environment handle

The environment handle refers to the data object that contains information regarding the global state of the application, such as attributes and connections. This handle is allocated by calling `SQLAllocHandle()` (with *HandleType* set to `SQL_HANDLE_ENV`), and freed by calling

`SQLFreeHandle()` (with *HandleType* set to `SQL_HANDLE_ENV`). An environment handle must be allocated before a connection handle can be allocated.

Connection handle

A connection handle refers to a data object that contains information associated with a connection to a particular data source. This includes connection attributes, general status information, transaction status, and diagnostic information. Each connection handle is allocated by calling `SQLAllocHandle()` (with *HandleType* set to `SQL_HANDLE_DBC`) and freed by calling `SQLFreeHandle()` (with *HandleType* set to `SQL_HANDLE_DBC`).

An application can be connected to several database servers at the same time. An application requires a connection handle for each concurrent connection to a database server.

Call `SQLGetInfo()` to determine if a user-imposed limit on the number of connection handles has been set.

Statement handles

A statement handle refers to the data object that describes and tracks the execution of an SQL statement. You can allocate a statement handle by calling `SQLAllocHandle()` and must do so before you can execute a statement.

The initialization task consists of the allocation and initialization of environment and connection handles. The termination task later frees these handles. An application then passes the appropriate handle when it calls other Db2 ODBC functions.

Related concepts

Statement handle allocation

A *statement handle* refers to the data object that describes and tracks the execution of an SQL statement. You must allocate a statement handle before you can execute a statement.

How to connect to one or more data sources

Db2 ODBC supports different connection types to remote data sources through DRDA.

ODBC connection model

The ODBC specifications support any number of concurrent connections, each of which is an independent transaction.

An application can issue `SQLConnect()` to X, perform some work, issue `SQLConnect()` to Y, perform some work, and then commit the work at X. ODBC supports multiple concurrent and independent transactions, one per connection.

Db2 ODBC restrictions on the ODBC connection model

Db2 ODBC does not fully support the ODBC connection model if the initialization file does not specify `MULTICONTEXT=1`.

In this case, to obtain simulated support of the ODBC connection model, an application must specify `CONNECTTYPE=1` either through the initialization file or the `SQLSetConnectAttr()` API.

An application that uses Db2 ODBC to simulate support of the ODBC model can logically connect to any number of data sources. However, the Db2 ODBC driver maintains only one physical connection. This single connection is to the data source to which the application last successfully connected or issued an SQL statement.

An application that operates with simulated support of the ODBC connection model, regardless of the commit mode, behaves as follows:

- When the application accesses multiple data sources, it allocates a connection handle to each data source. Because this application can make only one physical connection at a time, the Db2 ODBC driver commits the work on the current data source and terminates the current connection before the application connects to a new data source. Therefore, an application that operates with simulated support of the ODBC connection model cannot open cursors concurrently at two data sources (including cursors WITH HOLD).

- When the application does not explicitly commit or roll back work on the current connection before it calls a function on another connection, the Db2 ODBC driver implicitly performs the following actions:
 1. Commits work on the current connection
 2. Disconnects from the current data source
 3. Connects to the new data source
 4. Executes the function

When you enable multiple-context support (MULTICONTEXT=1), Db2 ODBC fully supports the ODBC connection model.

Related concepts

How to specify the connection type

Every IBM RDBMS supports both type 1 and type 2 connection type semantics, in which only one transaction is active at any time.

Db2 ODBC support of multiple contexts

A *context* is the Db2 ODBC equivalent of a Db2 thread. Contexts are the structures that describe the logical connections that an application makes to data sources and the internal Db2 ODBC connection information that allows applications to direct operations to a data source.

Related reference

Db2 ODBC initialization keywords

Db2 ODBC initialization keywords control the run time environment for Db2 ODBC applications.

How to specify the connection type

Every IBM RDBMS supports both type 1 and type 2 connection type semantics, in which only one transaction is active at any time.

In SQL, CONNECT (type 1) lets the application connect to only a single database at any time so a single transaction is active on the current connection. This connection type models DRDA remote unit of work processing.

Conversely, CONNECT (type 2), in SQL, lets the application connect concurrently to any number of database servers, all of which participate in a single transaction. This connection type models DRDA distributed unit of work processing.

Db2 ODBC supports both these connection types, but all connections in your application must use only one connection type at a given time. You must free all current connection handles before you change the connection type.

Important: Establish a connection type before you issue `SQLConnect()`.

You can establish the connection type with either of the following methods:

- Specify `CONNECTTYPE=1` (for CONNECT (type 1)) or `CONNECTTYPE=2` (for CONNECT (type 2)) in the common section of the initialization file.
- Invoke `SQLSetConnectAttr()` with the *Attribute* argument set to `SQL_ATTR_CONNECTTYPE` and *ValuePtr* set to `SQL_CONCURRENT_TRANS` (for CONNECT (type 1)) or `SQL_COORDINATED_TRANS` (for CONNECT (type 2)).

Related concepts

How to use the initialization file

The Db2 ODBC initialization file is read at application run time. You can specify the file by using either a DSNAOINI data definition statement or by defining a DSNAOINI z/OS UNIX environment variable.

How to connect to one or more data sources

Db2 ODBC supports different connection types to remote data sources through DRDA.

If an application is CONNECT (type 1) and specifies MULTICONTEXT=0, Db2 ODBC allows the application to *logically* connect to multiple data sources. However, Db2 ODBC allows the application only one

outstanding transaction (a transaction the application has not yet committed or rolled back) on the active connection. If the application is CONNECT (type 2), then the transaction is a distributed unit of work and all data sources participate in the disposition of the transaction (commit or rollback).

To connect concurrently to one or more data sources, call `SQLAllocHandle()` (with *HandleType* set to `SQL_HANDLE_DBC`) once for each connection. Use the connection handle that this statement yields in an `SQLConnect()` call to request a data source connection. Use the same connection handle in an `SQLAllocHandle()` call (with *HandleType* set to `SQL_HANDLE_STMT`) to allocate statement handles to use within that connection. An extended connect function, `SQLDriverConnect()`, allows you to set additional connection attributes. However, statements that execute on different connections do not coordinate.

Example: The following example illustrates an application that connects, allocates handles, frees handles, and disconnects. This application connects to multiple data sources but does not explicitly set a connection type or specify multiple-context support. The `CONNECTTYPE` and `MULTICONTEXT` keywords in the initialization file declare these settings.

```

/* ... */
/*****
**   - Demonstrate basic connection to two data sources.
**   - Error handling mostly ignored for simplicity
**
** Functions used:
**
**   SQLAllocHandle   SQLDisconnect
**   SQLConnect      SQLFreeHandle
** Local Functions:
**   DBconnect
**
*****/
#include <stdio.h>
#include <stdlib.h>
#include "sqlcli1.h"
int
DBconnect(SQLHENV henv,
          SQLHDBC * hdbc,
          char * server);
#define MAX_UID_LENGTH 18
#define MAX_PWD_LENGTH 30
#define MAX_CONNECTIONS 2
int
main()
{
    SQLHENV      henv;
    SQLHDBC      hdbc[MAX_CONNECTIONS];
    char *       svr[MAX_CONNECTIONS] =
        {
            "KARACHI" ,
            "DAMASCUS"
        }

    /* Allocate an environment handle */
    SQLAllocHandle( SQL_HANDLE_ENV, SQL_NULL_HANDLE, &henv);
    /* Connect to first data source */
    DBconnect(henv, &hdbc[0],
              svr[0]);
    /* Connect to second data source */
    DBconnect(henv, &hdbc[1],
              svr[1]);
    /***** Start processing step *****/
    /* Allocate statement handle, execute statement, and so on */
    /***** End processing step *****/
    /*****
    /* Commit work on connection 1. */
    /*****
    SQLEndTran(SQL_HANDLE_DBC, hdbc[0], SQL_COMMIT);
    /*****
    /* Commit work on connection 2. This has NO effect on the */
    /* transaction active on connection 1. */
    /*****
    SQLEndTran(SQL_HANDLE_DBC, hdbc[1], SQL_COMMIT);
    printf("\nDisconnecting ....\n");
    SQLDisconnect(hdbc[0]); /* disconnect first connection */
    SQLDisconnect(hdbc[1]); /* disconnect second connection
*/
    SQLFreeHandle (SQL_HANDLE_DBC, hdbc[0]); /* free first connection handle */
    SQLFreeHandle (SQL_HANDLE_DBC, hdbc[1]); /* free second connection handle */

```

```

        SQLFreeHandle(SQL_HANDLE_ENV, henv); /* free environment handle */
        return (SQL_SUCCESS);
    }
    /*******
    ** Server is passed as a parameter. Note that NULL values are **
    ** passed for USERID and PASSWORD. **
    *****/
    int
    DBconnect(SQLHENV henv,
             SQLHDBC * hdbc,
             char * server)
    {
        SQLRETURN rc;
        SQLCHAR buffer[255];
        SQLSMALLINT outlen;

        SQLAllocHandle(SQL_HANDLE_DBC, henv, hdbc); /* allocate connection handle */
        rc = SQLConnect(*hdbc, server, SQL_NTS, NULL, SQL_NTS, NULL, SQL_NTS);
        if (rc != SQL_SUCCESS) {
            printf(">--- Error while connecting to database: %s -----\n", server);
            return (SQL_ERROR);
        } else {
            printf(">Connected to %s\n", server);
            return (SQL_SUCCESS);
        }
    }
    /* ... */

```

Figure 3. An application that connects to two data sources

Related concepts

[ODBC and distributed units of work](#)

You can write Db2 ODBC applications to use distributed units of work.

Transaction processing in Db2 ODBC

Transaction processing is the second core task after initialization. During this task, SQL statements query and modify data in Db2 ODBC.

The following figure shows the typical order of function calls in a Db2 ODBC application. It does not show all functions or possible paths.

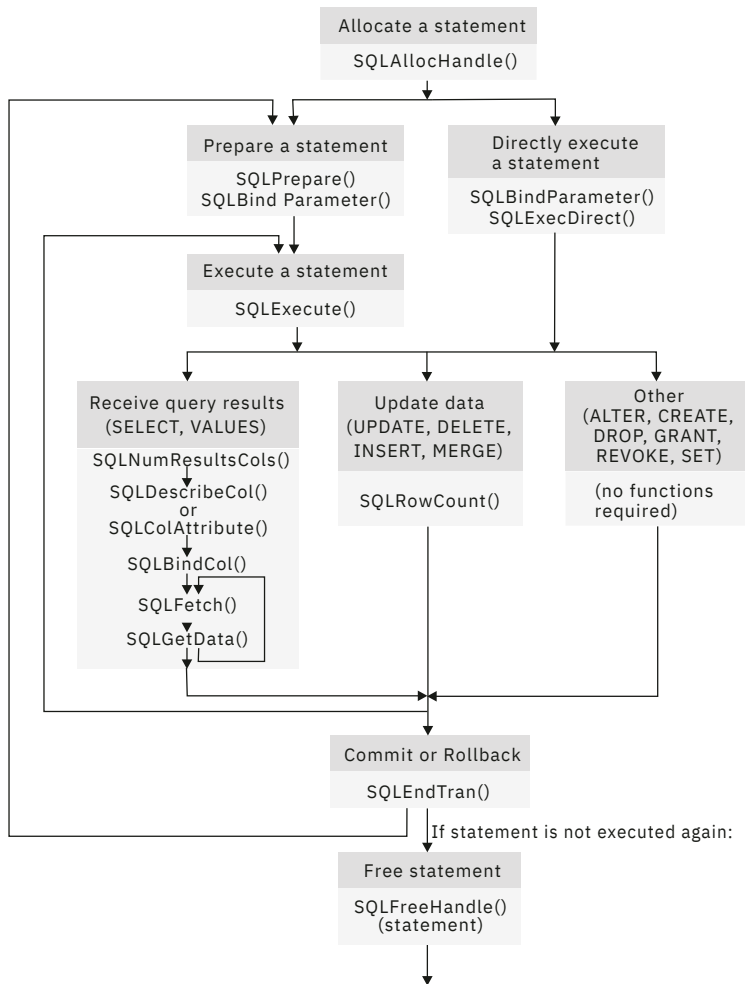


Figure 4. Transaction processing

The transaction processing task contains five general steps:

1. Allocating statement handles
2. Preparing and executing SQL statements
3. Processing results
4. Committing or rolling back
5. Optionally, freeing statement handles if the statement is unlikely to be executed again

Statement handle allocation

A *statement handle* refers to the data object that describes and tracks the execution of an SQL statement. You must allocate a statement handle before you can execute a statement.

`SQLAllocHandle()` (with *HandleType* set to `SQL_HANDLE_STMT`) allocates a statement handle to describe an SQL statement. The description of an SQL statement includes information such as statement attributes, SQL statement text, dynamic parameters, cursor information, bindings for dynamic arguments and columns, result values, and status information (these are discussed later). Each statement handle associates the statement it describes with a connection.

By default, the maximum number of statement handles you can allocate at any one time is limited by the application heap size. The maximum number of statement handles you can actually use, however, is defined by Db2 ODBC. [Table 2 on page 16](#) lists the number of statement handles Db2 ODBC allows for each isolation level. If an application exceeds these limits, `SQLPrepare()` and `SQLExecDirect()` return `SQLSTATE HY014`.

Table 2. Maximum number of statement handles allocated at one time

Isolation level	Without hold	With hold	Total
Cursor stability	296	254	550
No commit	296	254	550
Repeatable read	296	254	550
Read stability	296	254	550
Uncommitted read	296	254	550

Preparation and execution of SQL statements

After you allocate a statement handle, you can specify and execute SQL statements.

You can execute SQL statements through the following steps:

- Prepare then execute:
 1. Call `SQLPrepare()` with an SQL statement as an argument.
 2. Call `SQLBindParameter()` if the SQL statement contains *parameter markers*.
 3. Call `SQLExecute()`.
- Execute direct:
 1. Call `SQLBindParameter()` if the SQL statement contains *parameter markers*.
 2. Call `SQLExecDirect()` with an SQL statement as an argument.

The first method, prepare then execute, splits the preparation of the statement from the execution. Use this method when either of the following conditions is true:

- You execute a statement repeatedly (usually with different parameter values). This method allows you to prepare the same statement only once. Subsequent executions of that statement make use of the access plan the prepare generated.
- You require information about the columns in the result set, before it executes the statement.

The second method combines the prepare step and the execute step into one. Use this method when both of the following conditions are true:

- You execute the statement only once. This method allows you to call one function instead of two to execute an SQL statement.
- You do not require information about the columns in the result set before you actually execute the statement.

Db2 for z/OS and Db2 for Linux, UNIX, and Windows provide *dynamic statement caching* at the database server. In Db2 ODBC terms, *dynamic statement caching* means that for a given statement handle, once the database prepares a statement, it does not need to prepare it again (even after commits or rollbacks), as long as you do not free the statement handle. Applications that repeatedly execute the same SQL statement across multiple transactions, can save a significant amount of processing time and network traffic by:

1. Associating each such statement with its own statement handle, and
2. Preparing these statements once at the beginning of the application, then
3. Executing the statements as many times as is needed throughout the application.

Functions for binding parameters in SQL statements

Both `SQLPrepare()`, followed by `SQLExecute()`, and `SQLExecDirect()` enable you to execute an SQL statement that uses parameter markers in place of expressions or host variables (for embedded SQL).

Parameter markers are question mark characters (?) that you place in SQL statements. When you execute a statement that contains parameter markers, these markers are replaced with the contents of host variables.

Binding associates an application variable to a parameter marker. Your application must bind an application variable to each parameter marker in an SQL statement before it can execute that statement. To bind a parameter, call `SQLBindParameter()` with the appropriate arguments to indicate the numerical position of the parameter, the SQL type of the parameter, the data type of the variable, a pointer to the application variable, and length of the variable.

You refer to parameter markers in an SQL statement sequentially, from left to right, starting at 1, in ODBC function calls. You can call `SQLNumParams()` to determine the number of parameters in a statement.

The bound application variable and its associated length are called *deferred* input arguments. These arguments are called deferred because only pointers are passed when the parameter is bound; no data is read from the variable until the statement is executed. Deferred arguments enable you to modify the contents of bound parameter variables and execute SQL statements that use the most recent value with another call to `SQLExecute()`.

Information for each parameter remains in effect until the application overrides or unbinds the parameter, or drops the statement handle. If the application executes the SQL statement repeatedly without changing the parameter binding, Db2 ODBC uses the same pointers to locate the data on each execution. The application can also change the parameter binding to a different set of deferred variables. The application must not deallocate or discard deferred input fields between the time it binds the fields to parameter markers and the time Db2 ODBC accesses them at execution time.

You can bind parameters to a variable with a different data type than the SQL statement requires. Your application must indicate the C data type of the source, and the SQL type of the parameter marker. Db2 ODBC converts the contents of the variable to match the SQL data type you specified. For example, the SQL statement might require an integer value, but your application has a string representation of an integer. You can bind the string to the parameter, and Db2 ODBC will convert the string to the corresponding integer value when you execute the statement. Not every C data type can be bound to a parameter marker.

Use `SQLDescribeParam()` to determine the data type of a parameter marker. If the application indicates an incorrect data type for the parameter marker, an extra conversion by the database server or an error can occur.

When you use an SQL predicate that compares a distinct type to a parameter marker, you must either cast the parameter marker to the distinct type or cast the distinct type to a source type. Otherwise, an error occurs.

Related concepts

Input and retrieval of long data in pieces

When an application must manipulate long data values, loading the entire values into storage can become impractical. For this reason, Db2 ODBC provides a technique that enables you to handle long data values in pieces.

Data types and data conversion

When you write a Db2 ODBC application, you must work with both SQL data types and C data types. The database server uses SQL data types, and the application uses C data types.

Cast parameter markers to distinct types or distinct types to source types

When you use a distinct-type parameter in the predicate of a query statement, you must use a CAST function. You can cast either the parameter marker to a distinct type, or you can cast the distinct type to a source type.

Related reference

[SQLBindParameter\(\)](#) - Bind a parameter marker to a buffer or LOB locator

[SQLBindParameter\(\)](#) binds parameter markers to application variables and extends the capability of the [SQLSetParam\(\)](#) function.

How an ODBC program processes results

After an application executes an SQL statement, it must process the results that the statement produced. The type of processing that an application performs depends on the type of SQL statement that it initially issues.

Processing query (SELECT, VALUES) statements

While processing query statements, the application must also run diagnostic checks.

About this task

Applications generally perform better if columns are bound rather than retrieved using [SQLGetData\(\)](#). However, an application can be constrained in the amount of long data that it can retrieve and handle at one time. If this is a concern, then [SQLGetData\(\)](#) might be the better choice.

Procedure

To process query statements in an ODBC application:

1. Analyze the executed or prepared statement and describe the structure of the result set, including the number, types, and lengths of the columns.

If the SQL statement was generated by the application, then this step might not be necessary because the application might know the structure of the result set and the data types of each column.

If you know the structure of the entire result set, especially if the result set contains a very large number of columns, you might want to supply Db2 ODBC with the descriptor information. This can reduce network traffic because Db2 ODBC does not have to retrieve the information from the server.

If the SQL statement was generated at run time (for example, entered by a user), then the application has to query the number of columns, the type of each column, and perhaps the names of each column in the result set. This information can be obtained by calling [SQLNumResultCols\(\)](#) and [SQLDescribeCol\(\)](#), or by calling [SQLColAttribute\(\)](#), after preparing or after executing the statement.

2. Optional: To bind application variables to columns in order to receive the data, retrieve column data directly into an application variable on the next call to [SQLFetch\(\)](#).

For each column to be retrieved, the application calls [SQLBindCol\(\)](#) to bind an application variable to a column in the result set. The application can use the information obtained from Step 1 to determine the C data type of the application variable and to allocate the maximum storage the column value could occupy. Similar to variables bound to parameter markers using [SQLBindParameter\(\)](#), columns are bound to deferred arguments. This time the variables are deferred output arguments, as data is written to these storage locations when [SQLFetch\(\)](#) is called.

If the application does not bind any columns, as in the case when it needs to retrieve columns of long data in pieces, it can use [SQLGetData\(\)](#). Both the [SQLBindCol\(\)](#) and [SQLGetData\(\)](#) techniques can be combined if some columns are bound and some are unbound. The application must not deallocate or discard variables used for deferred output fields between the time it binds them to columns of the result set and the time Db2 ODBC writes the data to these fields.

3. Call [SQLFetch\(\)](#) to fetch the first or next row of the result set.

If any columns are bound, the application variable is updated. You can also write an application that fetches multiple rows of the result set into an array.

If data conversion was indicated by the data types specified on the call to `SQLBindCol()`, the conversion occurs when `SQLFetch()` is called.

4. Optional: Call `SQLGetData()` to retrieve columns that were not previously bound.

Data conversion can also be indicated here, as in `SQLBindCol()`, by specifying the target C data type of the application variable.

To unbind a particular column of the result set, use `SQLBindCol()` with a null pointer for the application variable argument (*rgbValue*). To unbind all of the columns at one time, call `SQLFreeHandle()` on the statement handle.

Related concepts

Input and retrieval of long data in pieces

When an application must manipulate long data values, loading the entire values into storage can become impractical. For this reason, Db2 ODBC provides a technique that enables you to handle long data values in pieces.

Data types and data conversion

When you write a Db2 ODBC application, you must work with both SQL data types and C data types. The database server uses SQL data types, and the application uses C data types.

Retrieval of a result set into an array

An application can issue a query statement and fetch rows from the result set that the query generates.

Functions for setting and retrieving environment, connection, and statement attributes

Db2 ODBC provides functions that let you set or retrieve a subset of environment, connection, and statement attributes.

Related reference

SQLBindCol() - Bind a column to an application variable

`SQLBindCol()` binds a column to an application variable. You can call `SQLBindCol()` once for each column in a result set from which you want to retrieve data or LOB locators.

SQLColAttribute() - Get column attributes

`SQLColAttribute()` returns descriptor information about a column in a result set. Descriptor information is returned as a character string, a 32-bit descriptor-dependent value, or an integer value.

SQLDescribeCol() - Describe column attributes

`SQLDescribeCol()` returns commonly used descriptor information about a column in a result set that a query generates. Before you call this function, you must call either `SQLPrepare()` or `SQLExecDirect()`.

SQLFetch() - Fetch the next row

`SQLFetch()` advances the cursor to the next row of the result set and retrieves any bound columns. Columns can be bound to either the application storage or LOB locators.

SQLGetData() - Get data from a column

`SQLGetData()` retrieves data for a single column in the current row of the result set. You can also use `SQLGetData()` to retrieve large data values in pieces. After you call `SQLGetData()` for each column, call `SQLFetch()` or `SQLExtendedFetch()` for each row that you want to retrieve.

SQLNumResultCols() - Get number of result columns

`SQLNumResultCols()` returns the number of columns in the result set that is associated with the input statement handle. `SQLPrepare()` or `SQLExecDirect()` must be called before you call

SQLNumResultCols(). After you call SQLNumResultCols(), you can call SQLColAttribute() or one of the bind column functions.

Processing UPDATE, DELETE, INSERT, and MERGE statements

In some cases, you might need to use a cursor if you perform a positioned UPDATE or DELETE in your application. Otherwise, you need to check only for diagnostic messages.

About this task

If a statement modifies data (UPDATE, DELETE, INSERT, or MERGE statements), no action is required, other than the normal check for diagnostic messages. In this case, use SQLRowCount() to obtain the number of rows the SQL statement affects.

If the SQL statement is a positioned UPDATE or DELETE, you need to use a *cursor*. A cursor is a moveable pointer to a row in the result table of an active query statement. (This query statement must contain the FOR UPDATE OF clause to ensure that the query is not opened as read-only.) In embedded SQL, the names of cursors are used to retrieve, update or delete rows. In Db2 ODBC, a cursor name is needed only for positioned UPDATE or DELETE SQL statements as they reference the cursor by name.

Procedure

To perform a positioned update or delete in your application:

1. Issue a SELECT statement to generate a result set.
2. Call SQLGetCursorName() to retrieve the name of the cursor on the result set that you generated in the preceding step.

You use this cursor name in the UPDATE or DELETE statement.

Tip: Use the name that Db2 automatically generates. Although you can define your own cursor names by using SQLSetCursorName(), use the name that Db2 generates. All error messages reference the Db2 generated name, not the name that you define with SQLSetCursorName().

3. Allocate a second statement handle to execute the positioned update or delete.

To update or delete a row that has been fetched, you use two statement handles: one handle for the fetch and one handle for the update or delete. You cannot reuse the fetch statement handle to execute a positioned update or delete because this handle holds the cursor while the positioned update or delete executes.

4. Call SQLFetch() to position the cursor on a row in the result set.
5. Create the UPDATE or DELETE SQL statement with the WHERE CURRENT OF clause and specify the cursor name that you obtained in step “2” on page 20.

```
sprintf((char *)stmtPositionedUpdate,
"UPDATE org SET location = 'San Jose' WHERE CURRENT OF %s",
cursorName);
```

6. Execute the positioned update or delete statement.

Related concepts

[Positioned updates of columns \(Db2 SQL\)](#)

Related tasks

[Cursors \(Db2 Application programming and SQL\)](#)

Related reference

[SQLFetch\(\) - Fetch the next row](#)

SQLFetch() advances the cursor to the next row of the result set and retrieves any bound columns. Columns can be bound to either the application storage or LOB locators.

[SQLGetCursorName\(\) - Get cursor name](#)

SQLGetCursorName() returns the name of the cursor that is associated with a statement handle. If you explicitly set a cursor name with SQLSetCursorName(), the name that you specified in a call to

SQLSetCursorName() is returned. If you do not explicitly set a name, SQLGetCursorName() returns the implicitly generated name for that cursor.

SQLRowCount() - Get row count

SQLRowCount() returns the number of rows in a table that were affected by an UPDATE, INSERT, DELETE, or MERGE statement. You can call SQLRowCount() against a table or against a view that is based on the table. SQLExecute() or SQLExecDirect() must be called before SQLRowCount() is called.

SQLSetCursorName() - Set cursor name

SQLSetCursorName() associates a cursor name with the statement handle. This function is optional because Db2 ODBC implicitly generates a cursor name when each statement handle is allocated.

Processing other statements

You do not need to take further action other than a normal check for diagnostic messages if the statement neither queries nor modifies data.

Commit and rollback in Db2 ODBC

Db2 ODBC supports two commit modes: autocommit and manual-commit. A *transaction* is a recoverable unit of work or a group of SQL statements that can be treated as one atomic operation. This means that all the operations within the group are guaranteed to be completed (committed) or undone (rolled back), as if they were a single operation.

A transaction can also be referred to as a unit of work or a logical unit of work. When the transaction spans multiple connections, it is referred to as a distributed unit of work.

In autocommit mode, every SQL statement is a complete transaction, which is automatically committed. For a non-query statement, the commit is issued at the end of statement execution. For a query statement, the commit is issued after the cursor is closed. Given a single statement handle, the application must not start a second query before the cursor of the first query is closed.

In manual-commit mode, transactions are started implicitly with the first access to the data source using SQLPrepare(), SQLExecDirect(), SQLGetTypeInfo(), or any function that returns a result set. At this point a transaction begins, even if the call failed. The transaction ends when you use SQLEndTran() to either rollback or commit the transaction. This means that any statements executed (on the same connection) between these are treated as one transaction.

The default commit mode is autocommit, except when participating in a coordinated transaction. An application can switch between manual-commit and autocommit modes by calling SQLSetConnectAttr(). Typically, a query-only application might want to stay in autocommit mode. Applications that need to perform updates to the data source should turn off autocommit as soon as the data source connection is established.

When multiple connections exist, each connection has its own transaction (unless CONNECT (type 2) is specified). Special care must be taken to call SQLEndTran() with the correct connection handle to ensure that only the intended connection and related transaction is affected. Unlike distributed unit of work connections, transactions on each connection do not coordinate.

Related concepts

ODBC and distributed units of work

You can write Db2 ODBC applications to use distributed units of work.

Use of ODBC for querying the Db2 catalog

You can use Db2 ODBC catalog query functions and direct catalog queries to the Db2 ODBC shadow catalog to obtain catalog information.

When to call `SQLEndTran()`

In manual-commit mode, `SQLEndTran()` must be called before `SQLDisconnect()` is called.

An application in autocommit mode is not required to call `SQLEndTran()` because a commit is issued implicitly at the end of each statement execution. If distributed unit of work is involved, additional rules can apply.

Recommendation: If your application performs updates, do not wait until the application disconnects before you commit or roll back transactions.

The other extreme is to operate in autocommit mode, which is also not recommended as this adds extra processing. The application can modify the autocommit mode by starting the `SQLSetConnectAttr()` function.

Consider the following behaviors to decide where in the application to end a transaction:

- If using `CONNECT` (type 1) with `MULTICONTEXT=0`, only the current connection can have an outstanding transaction. If using `CONNECT` (type 2), all connections participate in a single transaction.
- If using `MULTICONTEXT=1`, each connection can have an outstanding transaction.
- Various resources can be held while you have an outstanding transaction. Ending the transaction releases the resources for use by other users.
- When a transaction is successfully committed or rolled back, it is fully recoverable from the system logs. Open transactions are not recoverable.

Related concepts

[ODBC and distributed units of work](#)

You can write Db2 ODBC applications to use distributed units of work.

[Functions for setting and retrieving environment, connection, and statement attributes](#)

Db2 ODBC provides functions that let you set or retrieve a subset of environment, connection, and statement attributes.

Related reference

[SQLSetConnectAttr\(\)](#) - Set connection attributes

`SQLSetConnectAttr()` sets attributes that govern aspects of connections.

Effects of calling `SQLEndTran()`

When a transaction ends, an application behaves with certain characteristics.

- All locks on database server objects are released, except those that are associated with a held cursor.
- Prepared statements are preserved from one transaction to the next if the data source supports statement caching (as Db2 for z/OS does). After a statement is prepared on a specific statement handle, it does not need to be prepared again even after a commit or rollback, provided the statement continues to be associated with the same statement handle.
- Cursor names, bound parameters, and column bindings are maintained from one transaction to the next.
- By default, cursors are preserved after a commit (but not a rollback). All cursors are defined using the `WITH HOLD` clause (except when connected to Db2 server for VSE and VM, which does not support the `WITH HOLD` clause).

Related reference

[SQLSetStmtOption\(\)](#) - Set statement attribute

This function is deprecated and is replaced by `SQLSetStmtAttr()`. You cannot use `SQLSetStmtOption()` for 64-bit applications.

[SQLTransact\(\)](#) - Transaction management

SQLTransact() is a deprecated function and is replaced by SQLEndTran().

Function for freeing statement handles

You call the SQLFreeHandle() function (with *HandleType* set to SQL_HANDLE_STMT) to terminate processing for a particular statement handle.

SQLFreeHandle() also performs the following tasks:

- Unbinds all columns of the result set
- Unbinds all parameter markers
- Closes any cursors and discard any pending results
- Drops the statement handle, and release all associated resources

The statement handle can be reused for other statements provided it is not dropped. If a statement handle is reused for another SQL statement string, any cached access plan for the original statement is discarded.

The columns and parameters must always be unbound before using the handle to process a statement with a different number or type of parameters or a different result set; otherwise application programming errors might occur.

Diagnostics

Diagnostics deal with warning or error conditions that are generated within an application.

Db2 ODBC functions generate two levels of diagnostics:

- Return codes
- Detailed diagnostics (SQLSTATEs, messages, SQLCA)

Each Db2 ODBC function returns the function return code as a basic diagnostic. The SQLGetDiagRec() function provides more detailed diagnostic information. The SQLGetSQLCA() function provides access to the SQLCA, if the diagnostic is reported by the data source. This arrangement lets applications handle the basic flow control, and the SQLSTATEs allow determination of the specific causes of failure.

The SQLGetDiagRec() function returns the following three pieces of information:

- SQLSTATE
- Native error: if the diagnostic is detected by the data source, this is the SQLCODE; otherwise, this is set to -99999.
- Message text: this is the message text associated with the SQLSTATE.

Related concepts

Problem diagnosis

Several guidelines exist for working with the Db2 ODBC traces, including information about general diagnosis, debugging, and abnormal terminations.

Related reference

SQLGetDiagRec() - Get multiple field settings of diagnostic record

SQLGetDiagRec() returns the current values of multiple fields of a diagnostic record that contains error, warning, and status information. SQLGetDiagRec() also returns several commonly used fields of a diagnostic record, including the SQLSTATE, the native error code, and the error message text.

Function return codes

Every ODBC function returns a return code that indicates whether the function invocation succeeded or failed.

The following table lists all possible return codes for Db2 ODBC functions.

Table 3. Db2 ODBC function return codes

Return code	Explanation
SQL_SUCCESS	The function completed successfully, no additional SQLSTATE information is available.
SQL_SUCCESS_WITH_INFO	The function completed successfully, with a warning or other information. Call <code>SQLGetDiagRec()</code> to receive the SQLSTATE and any other informational messages or warnings. The SQLSTATE class is '01'.
SQL_NO_DATA_FOUND	The function returned successfully, but no relevant data was found. When this is returned after the execution of an SQL statement, additional information might be available which can be obtained by calling <code>SQLGetDiagRec()</code> .
SQL_NEED_DATA	The application tried to execute an SQL statement but Db2 ODBC lacks parameter data that the application had indicated would be passed at execute time..
SQL_ERROR	The function failed. Call <code>SQLGetDiagRec()</code> to receive the SQLSTATE and any other error information.
SQL_INVALID_HANDLE	The function failed due to an invalid input handle (environment, connection, or statement handle). This is a programming error. No further information is available.

Related concepts

[Input and retrieval of long data in pieces](#)

When an application must manipulate long data values, loading the entire values into storage can become impractical. For this reason, Db2 ODBC provides a technique that enables you to handle long data values in pieces.

Related reference

[SQLSTATE cross reference](#)

SQLSTATES are returned by the Db2 ODBC application as a diagnostic tool for encountered errors, indicating the cause for these errors.

SQLSTATES for ODBC error reporting

Db2 ODBC provides a standard set of codes called *SQLSTATES* because different database servers often have different diagnostic message codes. Certain guidelines apply to the use of SQLSTATES within applications.

SQLSTATES are defined by the X/Open SQL CAE specification. This allows consistent message handling across different database servers.

SQLSTATES are alphanumeric strings of five characters (bytes) with a format of *ccsss*, where *cc* indicates class and *sss* indicates subclass. All SQLSTATES use one of the following classes:

'01'

A warning.

'S1'

Generated by the Db2 ODBC driver for ODBC 2.0 applications.

'HY'

Which is generated by the Db2 ODBC driver for ODBC 3.0 applications.

Important: In ODBC 3.0, 'HY' classes map to 'S1' classes. 'HY' is a reserved X/Open class for ODBC/CLI implementations. This class replaces the 'S1' class in ODBC 3.0 to follow the X/Open and ISO CLI standard.

For some error conditions, Db2 ODBC returns SQLSTATEs that differ from those states listed in [Microsoft open database connectivity \(ODBC\)](#). This inconsistency is a result of Db2 ODBC following the X/Open SQL CAE and SQL92 specifications.

Db2 ODBC SQLSTATEs include both additional IBM-defined SQLSTATEs that are returned by the database server, and Db2 ODBC-defined SQLSTATEs for conditions that are not defined in the X/Open specification. This allows for the maximum amount of diagnostic information to be returned.

Follow these guidelines for using SQLSTATEs within your application:

- Always check the function return code before calling `SQLGetDiagRec()` to determine if diagnostic information is available.
- Use the SQLSTATEs rather than the native error code.
- To increase your application's portability, only build dependencies on the subset of Db2 ODBC SQLSTATEs that are defined by the X/Open specification, and return the additional ones as information only. (Dependencies refer to the application that makes logic flow decisions based on specific SQLSTATEs.)

Tip: Consider building dependencies on the class (the first two characters) of the SQLSTATEs.

- For maximum diagnostic information, return the text message along with the SQLSTATE (if applicable, the text message also includes the IBM-defined SQLSTATE). It is also useful for the application to print out the name of the function that returned the error.

Related reference

[SQLSTATE cross reference](#)

SQLSTATEs are returned by the Db2 ODBC application as a diagnostic tool for encountered errors, indicating the cause for these errors.

[SQLSTATE mappings](#)

Several SQLSTATEs differ when you call `SQLGetDiagRec()` or `SQLERROR()` under an ODBC 3.0 driver. All deprecated functions continue to return ODBC 2.0 SQLSTATEs regardless of which environment attributes are set.

SQLCA retrieval in an ODBC application

Embedded applications rely on the SQLCA data structure for all diagnostic information. The `SQLGetSQLCA()` function is used to retrieve this data structure.

Although Db2 ODBC applications can retrieve much of the same information by using `SQLGetDiagRec()`, the application might still need to access the SQLCA that is related to the processing of a statement. (For example, after preparing a statement, the SQLCA contains the relative cost of executing the statement.) The SQLCA contains meaningful information only after interaction with the data source on the previous request (for example: connect, prepare, execute, fetch, disconnect).

Related reference

[SQLGetSQLCA\(\) - Get SQLCA data structure](#)

`SQLGetSQLCA()` returns the SQLCA (SQL communication area) that is associated with preparing and executing an SQL statement, fetching data, or closing a cursor. The SQLCA can return supplemental information about the data that is obtained by `SQLGetDiagRec()`.

Data types and data conversion

When you write a Db2 ODBC application, you must work with both SQL data types and C data types. The database server uses SQL data types, and the application uses C data types.

The application must therefore match C data types to SQL data types when transferring data between the database server and the application (when calling Db2 ODBC functions).

To help address this, Db2 ODBC provides symbolic names for the various data types, and manages the transfer of data between the database server and the application. It also performs data conversion (from a C character string to an SQL INTEGER type, for example) if required. To accomplish this, Db2 ODBC

needs to know both the source and target data type. This requires the application to identify both data types using symbolic names.

C and SQL data types

Db2 ODBC defines a set of SQL symbolic data types. Each SQL symbolic data type has a corresponding default C data type.

These data types represent the combination of the ODBC 3.0 minimum, core, and extended data types. Db2 ODBC supports the following additional data types:

- SQL_GRAPHIC
- SQL_VARGRAPHIC
- SQL_LONGVARGRAPHIC

Table 4 on page 26 lists each of the SQL data types, with its corresponding symbolic name, and the default C symbolic name. The table contains the following columns:

SQL data type

This column contains the SQL data types as they would appear in an SQL CREATE DDL statement. The SQL data types are dependent on the database server.

Symbolic SQL data type

This column contains SQL symbolic names that are defined (in sqlcli1.h) as an integer value. These values are used by various functions to identify the SQL data types listed in the first column.

Default C symbolic data type

This column contains C symbolic names, also defined as integer values. These values are used in various function arguments to identify the C data type as shown in Table 5 on page 28. The symbolic names are used by various functions (such as SQLBindParameter(), SQLGetData(), and SQLBindCol() calls) to indicate the C data types of the application variables. Instead of explicitly identifying the C data type when calling these functions, SQL_C_DEFAULT can be specified instead, and Db2 ODBC assumes a default C data type based on the SQL data type of the parameter or column, as shown by this table. For example, the default C data type of SQL_DECIMAL is SQL_C_CHAR.

Table 4. SQL symbolic and default data types

SQL data type	Symbolic SQL data type	Default symbolic C data type
BIGINT	SQL_BIGINT	SQL_C_BIGINT
BINARY	SQL_BINARY	SQL_C_BINARY
BLOB	SQL_BLOB	SQL_C_BINARY
BLOB LOCATOR “1” on page 28	SQL_BLOB_LOCATOR	SQL_C_BLOB_LOCATOR
CHAR	SQL_CHAR	SQL_C_CHAR
CHAR FOR BIT DATA “6” on page 28	SQL_BINARY	SQL_C_BINARY
CLOB	SQL_CLOB	SQL_C_CHAR
CLOB LOCATOR	SQL_CLOB_LOCATOR	SQL_C_CLOB_LOCATOR
DATE	SQL_TYPE_DATE “2” on page 28	SQL_C_TYPE_DATE
DBCLOB	SQL_DBCLOB	SQL_C_DBCHAR
DBCLOB LOCATOR “1” on page 28	SQL_DBCLOB_LOCATOR	SQL_C_DBCLOB_LOCATOR
DECFLOAT(16) or DECFLOAT(34)	SQL_DECFLOAT	SQL_C_CHAR
DECIMAL	SQL_DECIMAL	SQL_C_CHAR
DOUBLE	SQL_DOUBLE	SQL_C_DOUBLE

Table 4. SQL symbolic and default data types (continued)

SQL data type	Symbolic SQL data type	Default symbolic C data type
FLOAT	SQL_FLOAT	SQL_C_DOUBLE
GRAPHIC	SQL_GRAPHIC	SQL_C_DBCHAR or SQL_C_WCHAR ^{“4”} on page 28
INTEGER	SQL_INTEGER	SQL_C_LONG
LONG VARCHAR ^{“5”} on page 28	SQL_LONGVARCHAR	SQL_C_CHAR
LONG VARCHAR FOR BIT DATA ^{“5”} on page 28, ^{“6”} on page 28	SQL_LONGVARBINARY	SQL_C_BINARY
LONG VARGRAPHIC ^{“5”} on page 28	SQL_LONGVARGRAPHIC	SQL_C_DBCHAR or SQL_C_WCHAR ^{“4”} on page 28
NUMERIC ^{“7”} on page 28	SQL_NUMERIC ^{“7”} on page 28	SQL_C_CHAR
REAL	SQL_REAL	SQL_C_FLOAT
ROWID	SQL_ROWID	SQL_C_CHAR
SMALLINT	SQL_SMALLINT	SQL_C_SHORT
TIME	SQL_TYPE_TIME ^{“2”} on page 28	SQL_C_TYPE_TIME
TIMESTAMP	SQL_TYPE_TIMESTAMP ^{“2”} on page 28	SQL_C_TYPE_TIMESTAMP SQL_C_TYPE_TIMESTAMP_EXT ^{“3”} on page 28
TIMESTAMP WITH TIME ZONE	SQL_TYPE_TIMESTAMP_WITH_TIMEZONE ^{“2”} on page 28	SQL_C_TYPE_TIMESTAMP_EXT_TZ ^{“8”} on page 28
VARBINARY	SQL_VARBINARY	SQL_C_BINARY
VARCHAR	SQL_VARCHAR	SQL_C_CHAR
VARCHAR FOR BIT DATA ^{“6”} on page 28	SQL_VARBINARY	SQL_C_BINARY
VARGRAPHIC	SQL_VARGRAPHIC	SQL_C_DBCHAR or SQL_C_WCHAR ^{“4”} on page 28
XML	SQL_XML	SQL_C_BINARY

Table 4. SQL symbolic and default data types (continued)

SQL data type	Symbolic SQL data type	Default symbolic C data type
Notes:		
1. LOB locator types are not persistent SQL data types (columns cannot be defined by a locator type; instead, it describes parameter markers, or represents a LOB value).		
2. Changes to datetime data types have been made since previous releases.		
3. SQL_C_TYPE_TIMESTAMP_EXT is used for TIMESTAMP values in which the fractional precision is 0 to 12 digits.		
4. The default C data type conversion for this SQL data type depends upon the encoding scheme your application uses. If your application uses UCS-2 Unicode encoding, the default conversion is to SQL_C_WCHAR. For all other encoding schemes the default conversion is to SQL_C_DBCHAR.		
5. Whenever possible, replace LONG data types with LOB types.		
6. Whenever possible, replace FOR BIT DATA data types with BINARY or VARBINARY types.		
7. NUMERIC is a synonym for DECIMAL on Db2 for z/OS, Db2 server for VSE and VM and Db2 for Linux, UNIX, and Windows.		
8. SQL_TYPE_TIMESTAMP_WITH_TIMEZONE and SQL_C_TYPE_TIMESTAMP_EXT_TZ are used for TIMESTAMP values with time zone in which the fractional precision is 0 to 12 digits.		
Additional information:		
<ul style="list-style-type: none"> The data types, DATE, DECIMAL, NUMERIC, TIME, and TIMESTAMP cannot be transferred to their default C buffer types without a conversion. 		

Table 5 on page 28 shows the generic C type definitions for each symbolic C type. The table contains the following columns:

C symbolic data type

This column contains C symbolic names, defined as integer values. These values are used in various function arguments to identify the C data type shown in the last column.

C type

This column contains C-defined types, which are defined in sqlcli1.h using a C typedef statement. The values in this column should be used to declare all Db2 ODBC related variables and arguments, in order to make the application more portable.

Base C type

This column is shown for reference only. All variables and arguments should be defined using the symbolic types in the previous column. Some of the values are C structures that are described in Table 6 on page 30.

Table 5. C data types

C symbolic data type	C type	Base C type
SQL_C_BIGINT	SQLBIGINT	long long int
SQL_C_CHAR	SQLCHAR	Unsigned char
SQL_C_BIT	SQLCHAR	Unsigned char or char (Value 1 or 0)
SQL_C_TINYINT	SQLSCHAR	Signed char (Range -128 to 127)
SQL_C_SHORT	SQLSMALLINT	Short int
SQL_C_LONG	SQLINTEGER	Long int (31-bit) or int (64-bit) ^{“1”} on page 29
SQL_C_DOUBLE	SQLDOUBLE	Double

Table 5. C data types (continued)

C symbolic data type	C type	Base C type
SQL_C_FLOAT	SQLREAL	Float
SQL_C_DECIMAL64	SQLDECIMAL64	See Table 6 on page 30
SQL_C_DECIMAL128	SQLDECIMAL128	See Table 6 on page 30
SQL_C_TYPE_DATE ^{"2" on page 29}	DATE_STRUCT	See Table 6 on page 30
SQL_C_TYPE_TIMESTAMP ^{"2" on page 29}	TIMESTAMP_STRUCT	See Table 6 on page 30
SQL_C_TYPE_TIME- STAMP_EXT ^{"2" on page 29}	TIMESTAMP_STRUCT_EXT	See Table 6 on page 30
SQL_C_TYPE_TIME- STAMP_EXT_TZ ^{"2" on page 29}	TIME- STAMP_STRUCT_EXT_TZ	See Table 6 on page 30
SQL_C_CLOB_LOCATOR	SQLINTEGER	Long int (31-bit) or int (64-bit) ^{"1" on page 29}
SQL_C_BINARY	SQLCHAR	Unsigned char
SQL_C_BINARYXML	SQLCHAR	Unsigned char
SQL_C_BLOB_LOCATOR	SQLINTEGER	Long int (31-bit) or int (64-bit) ^{"1" on page 29}
SQL_C_DBCHAR	SQLDBCHAR	Unsigned short
SQL_C_DBCLOB_LOCATOR	SQLINTEGER	Long int (31-bit) or int (64-bit) ^{"1" on page 29}
SQL_C_WCHAR	SQLWCHAR	wchar_t (31-bit) or unsigned short (64-bit) ^{"1" on page 29}

Note:

1. 31-bit is for 31-bit applications, and 64-bit is for 64 bit applications.

In the 31-bit environment, long int is 32 bits. In the 64-bit environment, int is also 32 bits. Therefore, the C type SQLINTEGER is mapped to a 32-bit field regardless of the environment.

In the 31-bit environment, wchar_t is 16 bits. In the 64-bit environment, unsigned short is also 16 bits. Therefore, the C type SQLWCHAR is mapped to a 16-bit field regardless of the environment.

2. Changes to datetime data types have been made since previous releases.

The following table lists the C data types with their associated structures for date, time, timestamp, and decimal floating point.

Table 6. C date, time, timestamp, and decimal floating point structures

C type	Generic structure
DATE_STRUCT	<pre>typedef struct DATE_STRUCT { SQLSMALLINT year; SQLUSMALLINT month; SQLSMALLINT day; } DATE_STRUCT;</pre>
TIME_STRUCT	<pre>typedef struct TIME_STRUCT { SQLUSMALLINT hour; SQLUSMALLINT minute; SQLUSMALLINT second; } TIME_STRUCT;</pre>
TIMESTAMP_STRUCT	<pre>typedef struct TIMESTAMP_STRUCT { SQLUSMALLINT year; SQLUSMALLINT month; SQLUSMALLINT day; SQLUSMALLINT hour; SQLUSMALLINT minute; SQLUSMALLINT second; SQLINTEGER fraction; } TIMESTAMP_STRUCT;</pre>
TIME- STAMP_STRUCT_EXT	<pre>typedef struct TIMESTAMP_STRUCT_EXT { SQLUSMALLINT year; SQLUSMALLINT month; SQLUSMALLINT day; SQLUSMALLINT hour; SQLUSMALLINT minute; SQLUSMALLINT second; SQLINTEGER fraction; SQLINTEGER fraction2; } TIMESTAMP_STRUCT_EXT;</pre>
TIME- STAMP_STRUCT_EXT_TZ	<pre>typedef struct TIMESTAMP_STRUCT_EXT_TZ { SQLSMALLINT year; SQLUSMALLINT month; SQLUSMALLINT day; SQLUSMALLINT hour; SQLUSMALLINT minute; SQLUSMALLINT second; SQLUINTEGER fraction; /* 1-9 digits fractional */ /* seconds */ SQLUINTEGER fraction2; /* 10-12 digits fractional */ /* seconds */ SQLSMALLINT timezone_hour; /* -12 to 14 */ SQLUSMALLINT timezone_minute; /* 0 to 59 */ } TIMESTAMP_STRUCT_EXT_TZ;</pre>
SQLDECIMAL64	<pre>typedef struct SQLDECIMAL64 { union{ SQLDOUBLE dummy; SQLCHAR dec64[8]; }dec64; } SQLDECIMAL64;</pre>

Table 6. C date, time, timestamp, and decimal floating point structures (continued)

C type	Generic structure
SQLDECIMAL128	<pre>typedef struct SQLDECIMAL128 { union{ SQLDOUBLE dummy; SQLCHAR dec128[16]; }dec128; } SQLDECIMAL128;</pre>

Related concepts

Using LOBs

The term large object (LOB) refers to any type of large object. Db2 supports three LOB data types: binary large object (BLOB), character large object (CLOB), and double-byte character large object (DBCLOB).

Application encoding schemes and Db2 ODBC

Unicode and ASCII are alternatives to the EBCDIC character encoding scheme. The Db2 ODBC driver supports input and output character string arguments to ODBC APIs and input and output host variable data in each of these encoding schemes.

Related reference

Changes to datetime data types

The ODBC driver supports both ODBC 2.0 and ODBC 3.0 datetime values for input. For output, the ODBC driver determines the value to return based on the setting of the environment attribute.

SQLBindCol() - Bind a column to an application variable

SQLBindCol() binds a column to an application variable. You can call SQLBindCol() once for each column in a result set from which you want to retrieve data or LOB locators.

SQLDescribeCol() - Describe column attributes

SQLDescribeCol() returns commonly used descriptor information about a column in a result set that a query generates. Before you call this function, you must call either SQLPrepare() or SQLExecDirect().

C data types that do not map to SQL data types

In addition to the data types that map to SQL data types, other C symbolic types are used for other function arguments, such as pointers and handles.

C data types that do not map to SQL data types

In addition to the data types that map to SQL data types, other C symbolic types are used for other function arguments, such as pointers and handles.

The following table shows both generic and ODBC data types used for these arguments.

Table 7. C data types and base C data types

Defined C type	Base C type	Typical usage
SQLPOINTER	void *	Pointers to storage for data and parameters.
SQLHENV	long int (31-bit) or int (64-bit) ¹	Handle referencing environment information.
SQLHDBC	long int (31-bit) or int (64-bit) ¹	Handle referencing data source connection information.
SQLHSTMT	long int (31-bit) or int (64-bit) ¹	Handle referencing statement information.
SQLUSMALLINT	unsigned short int	Function input argument for unsigned short integer values.

Table 7. C data types and base C data types (continued)

Defined C type	Base C type	Typical usage
SQLINTEGER	unsigned long int (31-bit) or unsigned int (64-bit) ¹	Function input argument for unsigned long integer values.
SQLLEN	int	Function input or output argument for 32-bit integer values.
SQLULEN	unsigned int	Function input or output argument for unsigned 32-bit integer values.
SQLRETURN	short int	Return code from Db2 ODBC functions.
SQLWCHAR	wchar_t (31-bit) or unsigned short (64-bit) ¹	Data type for a Unicode UCS-2 character.
SQLWCHAR *	wchar_t * (31-bit) or unsigned short * (64-bit) ¹	Pointer to storage for Unicode UCS-2 data.

Note:

1. 31-bit is for 31-bit applications, and 64-bit is for 64 bit applications.

In the 31-bit environment, long int and unsigned long int are each 32 bits. In the 64-bit environment, int and unsigned int are also each 32 bits. Therefore, the C types SQLHENV, SQLHDBC, SQLHSTMT, and SQLINTEGER are each mapped to 32-bit fields regardless of the environment.

In the 31-bit environment, wchar_t is 16 bits. In the 64-bit environment, unsigned short is also 16 bits. Therefore, the C type SQLWCHAR is mapped to a 16-bit field regardless of the environment.

Pointers do not have the same size in a 64-bit environment as they do in a 31-bit environment. In the 31-bit environment, SQLWCHAR * is 32 bits long, and in the 64-bit environment, SQLWCHAR * is 64 bits long.

Data conversion

Db2 ODBC manages the transfer and any required conversion of data between the application and the database server. However, not all data conversions are supported.

Before the data transfer actually takes place, the source, target, or both data types are indicated when calling `SQLBindParameter()`, `SQLBindCol()`, or `SQLGetData()`. These functions use symbolic type names shown to identify the data types involved in the data transfer.

Example: The following `SQLBindParameter()` call binds a parameter marker that corresponds to an SQL data type of `DECIMAL(5,3)` to an application's C buffer type of `double`:

```
SQLBindParameter (hstmt, 1, SQL_PARAM_INPUT, SQL_C_DOUBLE,
                  SQL_DECIMAL, 5, 3, double_ptr, NULL);
```

[Supported data conversions](#) lists the data conversions that Db2 ODBC supports.

The first column contains the data type of the SQL data type. The remaining columns represent the C data types. If the C data type columns contain:

D

The conversion is supported and this is the default conversion for the SQL data type.

X

All IBM databases support the conversion.

blank

No IBM databases supports the conversion.

Table 8. Supported data conversions

SQL data type	SQL CHAR	SQL VARCHAR	SQL BINARY XML	SQL DBCHAR	SQL BIT	SQL TINYINT	SQL SHORT	SQL LONG	SQL BIGINT	SQL SMALLINT	SQL FLOAT	SQL DOUBLE	SQL DECIMAL64	SQL DECIMAL128	SQL TYPE DATE	SQL TYPE TIME	SQL TYPE TIME STAMP	SQL TYPE TIME STAMP EXT	SQL BINARY	SQL CLOB LOB LOCATOR	SQL BLOB LOB LOCATOR	SQL DBCLOB LOB LOCATOR
SQL_CHAR	D ¹	X ²			X	X	X	X	X	X	X	X	X	X	X	X	X	X	X			
SQL_VARCHAR	D ¹	X ²			X	X	X	X	X	X	X	X	X	X	X	X	X	X	X			
SQL_LONG VARCHAR	D ¹	X ²											X	X						X		
SQL_BINARY	X ¹	X ²																		D		
SQL_VARBINARY	X ¹	X ²																		D		
SQL_LONG VARBINARY	X ¹	X ²																		D		
SQL_GRAPHIC ⁴	X ¹	D ²		D																		
SQL_VARGRAPHIC ⁴	X ¹	D ²		D																		
SQL_LONG VARGRAPHIC ⁴	X ¹	D ²		D																		
SQL_CLOB	D ¹	X ²																		X	X ³	
SQL_BLOB	X ¹	X ²																		D		X ³
SQL_DBCLOB	X ¹	X ²		D																		X ³
SQL_CLOB LOCATOR	X ¹	X ²																		X	D ³	
SQL_BLOB LOCATOR	X ¹	X ²																		X		D ³
SQL_DBCLOB LOCATOR	X ¹	X ²		X																		D ³
SQL_NUMERIC ⁵	D ¹	X ²			X	X	X	X	X	X	X	X	X	X							X	
SQL_DECIMAL	D ¹	X ²			X	X	X	X	X	X	X	X	X	X							X	
SQL_DECFLOAT	D ¹	X ²			X	X	X	X	X	X	X	X	X	X								
SQL_INTEGER	X ¹	X ²		X	X	X	X	D	X	X	X	X	X	X							X	
SQL_SMALLINT	X ¹	X ²			X	X	D	X	X	X	X	X	X	X							X	
SQL_FLOAT	X ¹	X ²			X	X	X	X	X	X	X	D	X	X							X	
SQL_DOUBLE	X ¹	X ²			X	X	X	X	X	X	D	X	X	X							X	
SQL_REAL	X ¹	X ²			X	X	X	X	X	D	X	X	X	X							X	
SQL_BIGINT	X ¹	X ²			X	X	X	X	D	D	X	X	X	X								

Table 8. Supported data conversions (continued)

SQL data type	SQL_C_CHAR	SQL_C_WCHAR	SQL_C_BINARY_XML	SQL_C_DBCHAR	SQL_C_BIT	SQL_C_TINYINT	SQL_C_SHORT	SQL_C_LONG	SQL_C_BIGINT	SQL_C_SBIGINT	SQL_C_FLOAT	SQL_C_DOUBLE	SQL_C_DECIMAL64	SQL_C_DECIMAL128	SQL_C_TYPE_DATE	SQL_C_TYPE_TIME	SQL_C_TYPE_TIMESTAMP	SQL_C_TYPE_TIMESTAMP_EXT	SQL_C_TYPE_TIMESTAMP_EXT_TZ	SQL_C_BINARY	SQL_C_CLOB_LOB_LOCCATOR	SQL_C_BLOB_LOB_LOCCATOR	SQL_C_DBCLOB_LOB_LOCCATOR
SQL_TYPE_DATE	x ¹	x ²													D		X	X	X	X			
SQL_TYPE_TIME	x ¹	x ²														D	X	X	X	X			
SQL_TYPE_TIMESTAMP	x ¹	x ²													X	X	D	D	X	X			
SQL_TYPE_TIMESTAMP_WITH_ZONE	x ¹	x ²													X	X	X	X	D				
SQL_ROWID	D ¹																						
SQL_XML	x ¹	x ²	X	X																	D		

Note:

1. You must bind data to the SQL_C_CHAR data type for Unicode UTF-8 data.
2. You must bind data with the SQL_C_WCHAR data type for Unicode UCS-2 data.
3. Data is not converted to LOB locator types; locators represent a data value.
4. The default C data type conversion for this SQL data type depends upon the encoding scheme your application uses. If your application uses UCS-2 Unicode encoding, the default conversion is to SQL_C_WCHAR. For all other encoding schemes, the default conversion is to SQL_C_DBCHAR.
5. NUMERIC is a synonym for DECIMAL on Db2 for z/OS, Db2 server for VSE and VM, and Db2 for Linux, UNIX, and Windows.

Limits on precision, and scale, as well as truncation and rounding rules are the same as those for Db2 for z/OS, with the following exception; truncation of values to the right of the decimal point for numeric values returns a truncation warning, whereas truncation to the left of the decimal point returns an error. In cases of error, the application should call SQLGetDiagRec () to obtain the SQLSTATE and additional information about the failure. When moving and converting floating point data values between the application and Db2 ODBC, no correspondence is guaranteed to be exact as the values can change in precision and scale.

Related concepts

Application encoding schemes and Db2 ODBC

Unicode and ASCII are alternatives to the EBCDIC character encoding scheme. The Db2 ODBC driver supports input and output character string arguments to ODBC APIs and input and output host variable data in each of these encoding schemes.

Related reference

[C and SQL data types](#)

Db2 ODBC defines a set of SQL symbolic data types. Each SQL symbolic data type has a corresponding default C data type.

Data conversion between the application and the database server

Data conversion is possible between C and SQL data types. You need to know the precision, scale, length, and display size of each data type. In addition, you will also need to know how to convert from one data type to the other.

Limits in Db2 for z/OS (Db2 SQL)

Characteristics of string arguments

String arguments in Db2 ODBC rely on conventions.

Length of string arguments

String arguments for both output and input have associated length arguments. You should always use a valid output length argument.

For input string arguments, the associated length argument passes Db2 ODBC one of the following types of information:

- The exact length of the string (not including the nul-terminator)
- The special value `SQL_NTS` to indicate a nul-terminated string
- `SQL_NULL_DATA` to pass a null value

If the length is set to `SQL_NTS`, Db2 ODBC determines the length of the string by locating the nul-terminator. All length arguments for input/output strings are passed as a count of characters. Length arguments that can refer to both string and non-string data are passed as a count of bytes.

Output string arguments have two associated length arguments, an input length argument to specify the length of the allocated output buffer, and an output length argument to return the actual length of the string returned by Db2 ODBC. The returned length value is the total length of the string available for return, regardless of whether it fits in the buffer or not.

For SQL column data, if the output is a null value, `SQL_NULL_DATA` is returned in the length argument and the output buffer is untouched.

If a function is called with a null pointer for an output length argument, Db2 ODBC does not return a length, and assumes that the data buffer is large enough to hold the data. When the output data is a null value, Db2 ODBC can not indicate that the value is null. If it is possible that a column in a result set can contain a null value, a valid pointer to the output length argument must always be provided.

Recommendation: Always use a valid output length argument.

If the length argument (*pcbValue*) and the output buffer (*rgbValue*) are contiguous in memory, Db2 ODBC can return both values more efficiently, improving application performance. For example, if the following structure is defined and *&buffer.pcbValue* and *buffer.rgbValue* are passed to `SQLBindCol()`, Db2 ODBC updates both values in one operation.

```
struct
{
    SQLINTEGER pcbValue;
    SQLCHAR    rgbValue [BUFFER_SIZE];
} buffer;
```

Nul-termination of strings

By default, character strings that Db2 ODBC return are terminated with a nul-terminator (hex 00), except for strings that are returned from the graphic and DBCLOB data types into `SQL_C_CHAR` application variables.

Graphic and DBCLOB data types that are retrieved into `SQL_C_DBCHAR` and `SQL_C_WCHAR` application variables are nul-terminated with a double-byte nul-terminator (hex 0000). This requires that all buffers allocate enough space for the maximum number of bytes expected, plus the nul-terminator.

You can also use `SQLSetEnvAttr()` and set an environment attribute to disable nul-termination of varying-length output (character string) data. In this case, the application allocates a buffer exactly as long as the longest string it expects. The application must provide a valid pointer to storage for the output length argument so that Db2 ODBC can indicate the actual length of data returned; otherwise, the application has no means to determine this. The Db2 ODBC default is to always write the nul-terminator.

String truncation

If an output string does not fit into the buffer, Db2 ODBC truncates the string to the size of the buffer and writes the nul-terminator. The string data can be truncated on input or output by using the appropriate `SQLSTATE`.

If truncation occurs, the function returns `SQL_SUCCESS_WITH_INFO` and `SQLSTATE 01004`, which indicates data truncation. The application can then compare the buffer length to the output length to determine which string was truncated.

For example, if `SQLFetch()` returns `SQL_SUCCESS_WITH_INFO`, and an `SQLSTATE` of `01004`, at least one of the buffers bound to a column is too small to hold the data. For each buffer that is bound to a column, the application can compare the buffer length with the output length and determine which column was truncated.

ODBC specifies that string data can be truncated on input or output with the appropriate `SQLSTATE`. As the data source, Db2 does not truncate data on input, but might truncate data on output to maintain data integrity. On input, Db2 rejects string truncation with a negative `SQLCODE` (-302) and `SQLSTATE 22001`. On output, Db2 truncates the data and issues `SQL_SUCCESS_WITH_INFO` and `SQLSTATE 01004`.

Interpretation of strings

Db2 ODBC normally interprets string arguments in a case-sensitive manner and does not trim any spaces from the values.

An exception is the cursor name input argument on the `SQLSetCursorName()` function. In this case, if the cursor name is not delimited (enclosed by double quotes) the leading and trailing blanks are removed and case is preserved.

Functions for querying environment and data source information

Db2 ODBC provides functions that let applications retrieve information about the characteristics and capabilities of the current ODBC driver or the data source to which it is connected.

One of the most common situations in which functions are needed that provide driver or data source information involves displaying information for the user. Information such as the data source name and version, or the version of the Db2 ODBC driver might be displayed at connect time, or as part of the error reporting process.

Example: The following code shows an application that queries an ODBC environment for a data source, all supported functions, and a supported data type.

```

/*****
/* Querying environment and data source information */
*****/
#include <stdio.h>
#include <string.h>
#include <stdlib.h>
#include <sqlcli1.h>
void main()
{
    SQLHENV          hEnv;          /* Environment handle          */
    SQLHDBC          hDbc;          /* Connection handle          */
    SQLRETURN        rc;            /* Return code for API calls  */
    SQLHSTMT        hStmt;         /* Statement handle           */
    SQLCHAR          dsname[30];    /* Data source name           */
    SQLCHAR          dsdescr[255];  /* Data source description    */
    SQLSMALLINT      dslen;         /* Length of data source     */
    SQLSMALLINT      desclen;       /* Length of dsdescr         */
    BOOL             found = FALSE;

```

```

SQLSMALLINT      funcs[100];
SQLINTEGER       rgbValue;
/*
 * Initialize environment - allocate environment handle.
 */
rc = SQLAllocHandle( SQL_HANDLE_ENV, SQL_NULL_HANDLE, &hEnv );
rc = SQLAllocHandle( SQL_HANDLE_DBC, hEnv, &hDbc );
/*
 * Use SQLDataSources to verify ZOSDB2 does exist.
 */
while( ( rc = SQLDataSources( hEnv,
                             SQL_FETCH_NEXT,
                             dsname,
                             SQL_MAX_DSN_LENGTH+1,
                             &dslen,
                             dsdescr,
                             &descrlen ) ) != SQL_NO_DATA_FOUND )
{
    if( !strcmp( dsname, "ZOSDB2" ) ) /* data source exist */
    {
        found = TRUE;
        break;
    }
}
if( !found )
{
    fprintf(stdout, "Data source
    fprintf(stdout, "program aborted.\n");
    exit(1);
}
if( ( rc = SQLConnect( hDbc, dsname, SQL_NTS, "myid", SQL_NTS,
                      "mypd", SQL_NTS ) )
    == SQL_SUCCESS )
{
    fprintf( stdout, "Connect to
}
SQLAllocHandle( SQL_HANDLE_STMT, hDbc, &hStmt );
/*
 * Use SQLGetFunctions to store all APIs status.
 */
rc = SQLGetFunctions( hDbc, SQL_API_ALL_FUNCTIONS, funcs );
/*
 * Check whether SQLGetInfo is supported in this driver. If so,
 * verify whether DATE is supported for this data source.
 */
if( funcs[SQL_API_SQLGETINFO] == 1 )
{
    SQLGetInfo( hDbc, SQL_CONVERT_DATE, (SQLPOINTER)&rgbValue, 255, &descrlen );
    if( rgbValue & SQL_CVT_DATE )
    {
        SQLGetTypeInfo( hStmt, SQL_DATE );
        /* use SQLBindCol and SQLFetch to retrieve data ...*/
    }
}
}
}

```

Figure 5. An application that queries environment information

Related reference

SQLDataSources() - Get a list of data sources

SQLDataSources() returns a list of available target databases, one at a time. Before you make a connection, you can call SQLDataSources() to determine which databases are available.

SQLGetFunctions() - Get functions

SQLGetFunctions() indicates if a specific function is supported.

SQLGetInfo() - Get general information

SQLGetInfo() returns general information about the database management systems to which the application is currently connected. For example, SQLGetInfo() indicates which data conversions are supported.

SQLGetTypeInfo() - Get data type information

SQLGetTypeInfo() returns information about the data types that are supported by the database management systems that are associated with Db2 ODBC. This information is returned in an SQL result

set. The columns of this result set can be received by using the same functions that you use to process a query.

Chapter 3. Configuring Db2 ODBC and running sample applications

Before you prepare and run ODBC applications, you need to install Db2 ODBC and run the sample applications.

Running the SMP/E jobs for Db2 ODBC installation

To install Db2 ODBC, you must edit and run SMP/E jobs.

Procedure

To run the SMP/E jobs for Db2 ODBC installation:

1. Copy and edit the SMP/E jobs.

For sample JCL to invoke the z/OS utility IEBCOPY to copy the SMP/E jobs to disk, see the [Program directories for Db2 12 \(Db2 for z/OS in IBM Documentation\)](#).

2. Run the receive job: DSNRECV3.
3. Run the apply job: DSNAPPLY.
4. Run the accept job: DSNACCEP.
5. Customize these jobs to specify data set names for your Db2 installation and SMP/E data sets. See the header notes in each job for details.

Related tasks

[Editing the SMP/E jobs \(Db2 Installation and Migration\)](#)

The Db2 ODBC run time environment

Db2 ODBC support is implemented as an IBM C/C++ Dynamic Load Library (DLL). All API calls are routed through the single ODBC driver that is loaded at run time into the application address space.

Because Db2 ODBC support is provided as a DLL, Db2 ODBC applications do not need to link-edit any Db2 ODBC driver code with the application load module. Instead, the linkage to the Db2 ODBC APIs is resolved dynamically at run time by the IBM Language Environment® run time support.

The Db2 ODBC driver can use either the call attachment facility (CAF) or the Resource Recovery Services attachment facility (RRSAF) to connect to the Db2 for z/OS address space.

- If the Db2 ODBC application is **not** running as a Db2 for z/OS stored procedure, the MVSATTACHTYPE keyword in the Db2 ODBC initialization file determines the attachment facility that Db2 ODBC uses.
- If the Db2 ODBC application is running as a Db2 for z/OS stored procedure, then Db2 ODBC uses the attachment facility that was specified for stored procedures.

When the Db2 ODBC application invokes the first ODBC function, `SQLAllocHandle()` (with *HandleType* set to `SQL_HANDLE_ENV`), the Db2 ODBC driver DLL is loaded.

The following versions of the ODBC driver are available on Db2 for z/OS:

- the 31-bit XPLINK driver
- the 31-bit non-XPLINK driver
- the 64-bit driver

You specify which driver your application uses by which definition sidedeck you include when you prelink and link-edit your application.

Db2 ODBC supports access to the local Db2 for z/OS subsystems and any remote data source that is accessible using Db2 for z/OS Db2 12. This includes:

- Remote Db2 subsystems using specification of an alias or three-part name
- Remote DRDA-1 and DRDA-2 servers using LU 6.2 or TCP/IP.

The relationship between the application, the Db2 for z/OS ODBC driver and the Db2 for z/OS subsystem are illustrated in the following figure.

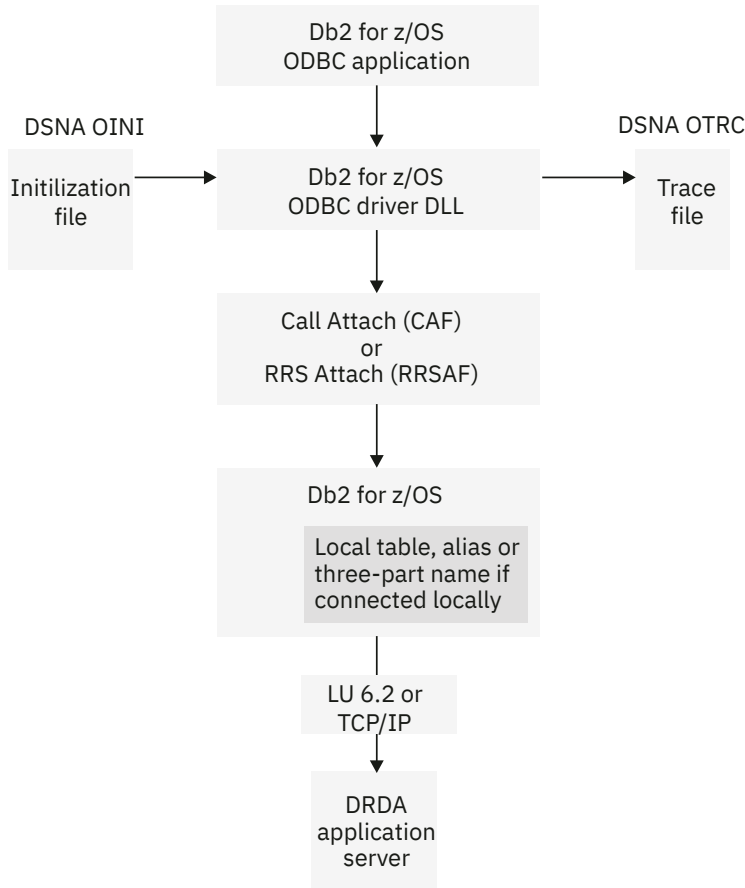


Figure 6. Relationship between Db2 for z/OS ODBC components

Related tasks

Prelinking and link-editing an ODBC application

After you compile your ODBC application, you must prelink and link-edit it before you can run it. This process is slightly different depending on whether the application is an XPLINK application, a non-XPLINK application, or a 64-bit application.

Connectivity requirements

You must run Db2 ODBC applications on a machine that has Db2 12 for z/OS installed. Additional requirements also apply.

Db2 for z/OS ODBC has the following additional connectivity requirements:

- If the application is executing with MULTICONTEXT=1, it can make multiple physical connections. Each connection corresponds to an independent transaction and Db2 thread.
- If the application is executing CONNECT (type 1) and MULTICONTEXT=0, only one current physical connection and one transaction on that connection occurs. All transactions on logical connections (that is, with a valid connection handle) are rolled back by the application or committed by Db2 ODBC. This is a deviation from the ODBC connection model.

Related concepts

How to specify the connection type

Every IBM RDBMS supports both type 1 and type 2 connection type semantics, in which only one transaction is active at any time.

Extra performance linkage

The XPLINK Db2 ODBC driver enhances the performance of XPLINK ODBC applications. The XPLINK Db2 ODBC driver is recommended to enhance performance only if your ODBC application uses XPLINK code exclusively.

If you use any non-XPLINK code in your application, the XPLINK ODBC driver might not increase performance. The non-XPLINK ODBC driver is recommended for applications that include non-XPLINK code.

Related concepts

[Overview of preparing and executing a Db2 ODBC application](#)

To prepare and execute a Db2 ODBC application, you need to follow certain steps and understand the Db2 ODBC components.

Related tasks

[Compiling 31-bit XPLINK applications](#)

If your 31-bit application needs to use z/OS XPLINK function linkage, use the ODBC 31-bit XPLINK driver and compile your application as an XPLINK application.

[Executing an ODBC application](#)

You can execute an ODBC application by using a z/OS job or by using z/OS UNIX commands.

[Link-editing 31-bit XPLINK applications](#)

For applications that are compiled as 31-bit XPLINK applications, you must link-edit your applications with the DFSMS binder.

64-bit ODBC driver

For 64-bit applications, you must use the 64-bit ODBC driver. This driver enables your application to access storage above the 2-GB bar.

The 64-bit driver is an XPLINK driver. A non-XPLINK driver does not exist for 64-bit applications.

Related concepts

[Extra performance linkage](#)

The XPLINK Db2 ODBC driver enhances the performance of XPLINK ODBC applications. The XPLINK Db2 ODBC driver is recommended to enhance performance only if your ODBC application uses XPLINK code exclusively.

Db2 ODBC run time environment setup

The steps in setting up the Db2 ODBC run time environment must be performed once. These steps are performed as part of the installation process for Db2 for z/OS.

The Db2 ODBC bind files must be bound to the data source. The following two bind steps are required:

- Create packages at every data source
- Create at least one plan to name those packages

These steps are the same regardless of the version of the ODBC driver (31-bit non-XPLINK, 31-bit XPLINK, or 64-bit) that you use.

The online bind sample is available in DSN1210.SDSNSAMP(DSNTIJCL). It is recommended that you use this bind sample as a guide for binding DBRMs to packages and binding an application plan.

Binding DBRMs to create packages

You can bind database request modules (DBRMs) to create packages that use different isolation levels or default options.

About this task

Use the online bind sample, DSN1210.SDSNSAMP(DSNTIJCL), for guidance.

Before an application can access data sources using Db2 ODBC, you must bind all required IBM DBRMs (which are shipped in DSN1210.SDSNDBRM) to all data sources. These data sources include the local Db2 for z/OS subsystem and all remote (DRDA) data sources.

To call stored procedures that run under Db2 ODBC, bind each of these procedures into packages at the data sources that use them. You do not need to bind a stored procedure that runs under Db2 ODBC into the Db2 ODBC plan.

Procedure

To bind the required DBRMs:

- Bind the following DBRMs to all data sources:
 - DSNCLINF
 - DSNCLICR

You do not need to specify the ISOLATION bind option for DSNCLINF or DSNCLICR, because this option has no effect on the isolation level that the ODBC driver uses for the application. Instead, specify the isolation level in the ODBC initialization file with the keyword TXNISOLATION. The default value for this keyword is 2 for cursor stability (CS). Alternatively, you can use `SQLSetConnectAttr()` and `SQLSetStmtAttr()` to set the attribute `SQL_ATTR_TXN_ISOLATION` at the connection or statement level. This attribute overrides the keyword value.

- Bind the following DBRMs with default options to all z/OS servers:
 - DSNCLIC1
 - DSNCLIC2
 - DSNCLIMS
 - DSNCLIF4
- Bind DSNCLIVM with default options to Db2 server for VSE and VM servers.
- Bind DSNCLIAS with default options to Db2 for i servers.
- Bind DSNCLIV1 and DSNCLIV2 with default options to all Db2 for Linux, UNIX, and Windows servers.
- Bind DSNCLIQR to any site that supports DRDA query result sets.

Related concepts

[Stored procedures for ODBC applications](#)

You can design an application to run in two parts: one part on the client and one part on the server.

Stored procedures are server applications that run at the database, within the same transaction as a client application.

Related tasks

[Binding the application plan](#)

When you bind the Db2 ODBC application plan, use the online bind sample, DSN1210.SDSNSAMP (DSNTIJCL), for guidance.

[Migrating to the Db2 12 ODBC driver](#)

When you migrate the ODBC driver for Db2 for z/OS from the Db2 11 driver to the Db2 12 driver, you must set up the Db2 12 ODBC run time environment.

Related reference

[BIND and REBIND options for packages, plans, and services \(Db2 Commands\)](#)

SQLSetConnectAttr() - Set connection attributes

SQLSetConnectAttr() sets attributes that govern aspects of connections.

SQLSetStmtAttr() - Set statement attributes

SQLSetStmtAttr() sets attributes that are related to a statement. To set an attribute for all statements that are associated with a specific connection, an application can call SQLSetConnectAttr().

Db2 ODBC initialization keywords

Db2 ODBC initialization keywords control the run time environment for Db2 ODBC applications.

Impact of package bind options

When you bind ODBC packages, you must specify certain values for several bind options. You should also consider specific ODBC recommendations for several other bind options.

The requirements and recommendations for the bind options are as follows:

- CURRENTDATA(NO)

Binding the ODBC packages with CURRENTDATA(NO) reduces lock contention and processor utilization, which results in increased application concurrency and improved performance. Use of CURRENTDATA(NO) also allows block fetching for distributed, ambiguous cursors.

- DYNAMICRULES(BIND)

Binding the ODBC packages with this option offers encapsulation and security similar to that of static SQL. The recommendations and consequences for using this option are as follows:

1. Bind Db2 ODBC packages or plan with DYNAMICRULES(BIND) from a 'driver' authorization ID with table privileges.
2. Issue GRANT EXECUTE on each collection or plan name to individual users. Packages are differentiated by collection; plans are differentiated by plan name.
3. Select a plan or package by using the PLANNAME or COLLECTIONID keywords in the Db2 ODBC initialization file.
4. When dynamic SQL is issued, the statement is processed with the 'driver' authorization ID. Users need execute privileges; table privileges are not required.
5. The CURRENTSQLID keyword cannot be used in the Db2 ODBC initialization file. Use of this keyword results in an error at SQLConnect().

- ENCODING

The ENCODING bind option controls the application encoding scheme for all static SQL statements in a plan or package.

Requirement: You must specify ENCODING(EBCDIC) when you bind packages to the local Db2 for z/OS ODBC subsystem.

- SQLERROR(CONTINUE)

Important: The SQLERROR(CONTINUE) bind option bypasses every error that occurs during the bind operation for the package. The recommendation is to ensure that only expected SQLCODEs are bypassed.

Use SQLERROR(CONTINUE) for the following purposes:

- When you bind DSNCLIMS on a down-level server. The symptoms of binding to a down-level server are:
 - Binding DSNCLIMS results in SQLCODE -199 on the VALUES INTO statement. Bind with the SQLERROR(CONTINUE) keyword to bypass this error.
 - Binding DSNCLIMS results in SQLCODE -199 on the DESCRIBE INPUT statement. Apply APAR PQ24584 and try the bind again to bypass this error. Alternatively, you can bind with the SQLERROR(CONTINUE) keyword, however, the SQLDescribeParam() API will be unavailable to you at the down-level server.

- When you bind DSNCLIMS on a Db2 subsystem with MIXED DATA=YES

Binding DSNCLIMS on any Db2 subsystem that is configured with MIXED DATA=YES results in SQLCODE -130. Bind with SQLERROR(CONTINUE) keyword to bypass this error.

- When you bind DSNCLIMS on a Db2 subsystem with MIXED DATA=NO

Binding DSNCLIMS on any Db2 subsystem that is configured with MIXED DATA=NO results in SQLCODE -189. You can bind DSNCLIMS with SQLERROR(CONTINUE) to bypass this error. However, if you do this you cannot fetch from an ASCII DBCLOB column using the SQLGetData() API or LOB LOCATORS. Before you can do that, you must:

- Define your Db2 subsystem with MIXED DATA=YES, with valid mixed and graphic ASCII CCSIDs.
- Rebind DSNCLIMS.

Related concepts

[Db2 ODBC run time environment setup](#)

The steps in setting up the Db2 ODBC run time environment must be performed once. These steps are performed as part of the installation process for Db2 for z/OS.

Related tasks

[Binding DBRMs to create packages](#)

You can bind database request modules (DBRMs) to create packages that use different isolation levels or default options.

[Binding the application plan](#)

When you bind the Db2 ODBC application plan, use the online bind sample, DSN1210.SDSNSAMP (DSNTIJCL), for guidance.

[Migrating to the Db2 12 ODBC driver](#)

When you migrate the ODBC driver for Db2 for z/OS from the Db2 11 driver to the Db2 12 driver, you must set up the Db2 12 ODBC run time environment.

Related reference

[BIND and REBIND options for packages, plans, and services \(Db2 Commands\)](#)

[MIXED DATA field \(MIXED DECP value\) \(Db2 Installation and Migration\)](#)

Return codes from ODBC package binding

A bind to Db2 for z/OS produces several warning messages.

The expected warnings are listed as follows:

- For all packages:

```
WARNING, ONLY IBM-SUPPLIED COLLECTION-IDS SHOULD BEGIN WITH "DSN"
```

- For bind of package DSNCLINC to Db2 for z/OS:

```
BIND WARNING - ISOLATION NC NOT SUPPORTED CHANGED TO ISOLATION UR
```

- For bind of package DSNCLIF4 to Db2 for z/OS for SYSIBM.LOCATIONS due to differences in catalog table names between releases.

Binding the application plan

When you bind the Db2 ODBC application plan, use the online bind sample, DSN1210.SDSNSAMP (DSNTIJCL), for guidance.

Procedure

Use the PKLIST keyword to name all ODBC packages.

You can use any name for the plan. The default name is DSNACLI. If you select a name other than the default name, you must specify that name in the initialization file, by using the PLANNAME keyword.

Do not specify the DISCONNECT or CURRENTSERVER bind options when you bind the Db2 ODBC application plan. You must use the defaults.

Do not specify any PLAN bind options when you bind the application plan.

Related tasks

Binding DBRMs to create packages

You can bind database request modules (DBRMs) to create packages that use different isolation levels or default options.

Setting up Db2 ODBC for the z/OS UNIX environment

You can compile, bind, and run ODBC applications in the z/OS UNIX environment. However, you must first set up the environment. You need to perform this setup task only once.

Procedure

Make the Db2 ODBC definition sidedeck available to z/OS UNIX users by performing one of the following actions:

- Define a data set alias for the ODBC sidedeck that uses .EXP as the last qualifier in the name. This alias must relate to the *prefix.SDSNMACS* data set where the Db2 ODBC definition sidedeck is installed.

The z/OS UNIX environment compiler determines the contents of an input file based on the file extension. If a file resides in a partitioned data set (PDS), the last qualifier in the PDS name is treated as the file extension.

The z/OS UNIX environment compiler recognizes the Db2 ODBC definition sidedeck if it meets these conditions:

- It resides in a PDS.
- The last qualifier in the PDS name is .EXP.

For example, assume that Db2 is installed using DSN1210 as the high-level data set qualifier. You can define the alias by using the following command:

```
DEFINE ALIAS(NAME('DSN1210.SDSNC.EXP')) RELATE('DSN1210.SDSNMACS')
```

This alias allows z/OS UNIX environment users to directly reference the Db2 ODBC definition sidedeck by specifying the following input files as input to the z/OS UNIX environment c89 command.

For the non-XPLINK ODBC driver:

```
"/'DSN1210.SDSNC.EXP(DSNAOCLI)'"
```

For the 31-bit XPLINK ODBC driver:

```
"/'DSN1210.SDSNC.EXP(DSNAOCLIX)'"
```

For the 64-bit XPLINK ODBC driver:

```
"/'DSN1210.SDSNC.EXP(DSNA064C)'"
```

- Specify the z/OS data set suffix by using the `_C89_XSUFFIX_HOST` or `_CXX_XSUFFIX_HOST` environment variable. The default value is EXP.

For example, changing the default from EXP to SDSNMACS allows the link to work without a Define Alias.

For the c89 compiler, issue:

```
export _C89_XSUFFIX_HOST="SDSNMACS"
```

For the cxx compiler, issue:

```
export _CXX_XSUFFIX_HOST="SDSNMACS"
```

Overview of preparing and executing a Db2 ODBC application

To prepare and execute a Db2 ODBC application, you need to follow certain steps and understand the Db2 ODBC components.

The following figure shows the Db2 ODBC configuration process.

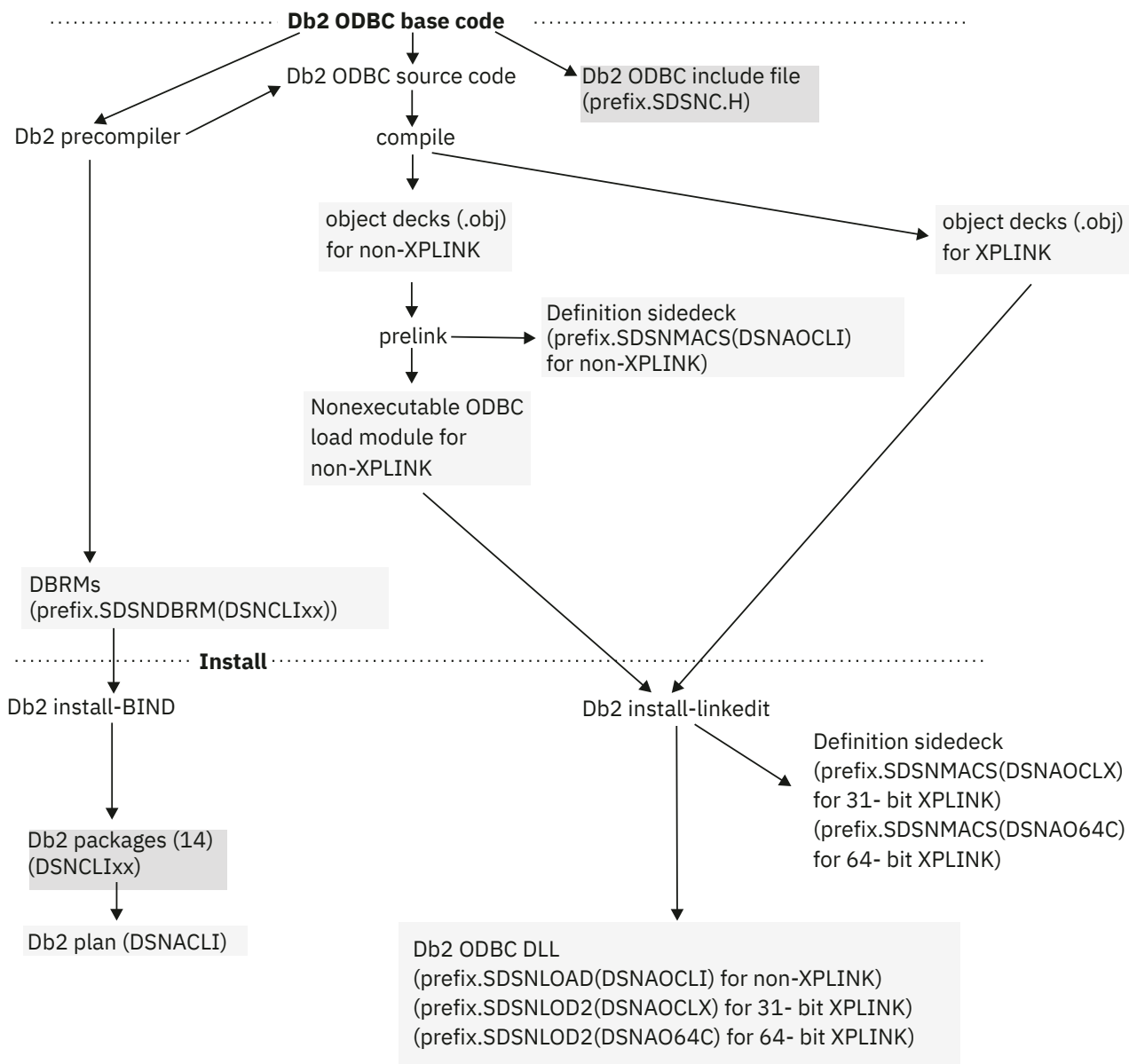


Figure 7. Db2 ODBC customization

The following figure shows the process you follow to prepare a Db2 ODBC application.

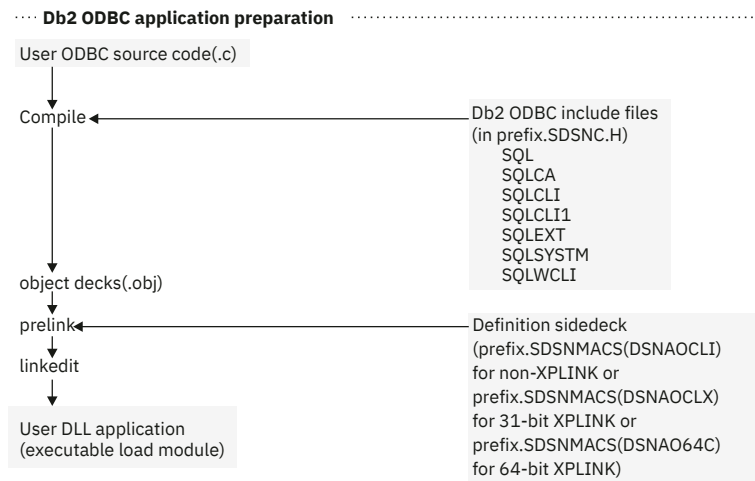


Figure 8. Db2 ODBC program preparation

Related tasks

[Preparing and executing an ODBC application](#)

You must compile, prelink, and link-edit an ODBC application before you can run it. Db2 ODBC provides sample programs to help you with program preparation.

Related reference

[Db2 ODBC application requirements](#)

To successfully build an ODBC application, you must ensure that the correct compile, prelink, and link-edit options are used. In particular, your application must generate the appropriate DLL linkage for the exported Db2 ODBC DLL functions.

Db2 ODBC application requirements

To successfully build an ODBC application, you must ensure that the correct compile, prelink, and link-edit options are used. In particular, your application must generate the appropriate DLL linkage for the exported Db2 ODBC DLL functions.

Db2 ODBC applications have the following requirements:

- You must use a C or C++ compiler to compile the application. If you use a C compiler, you must specify the DLL compiler option.

The C++ compiler always generates DLL linkage. However, the C compiler generates DLL linkage only if the DLL compile option is used. Failure to generate the necessary DLL linkage can cause the prelinker and linkage editor to issue warning messages for unresolved references to Db2 ODBC functions.

- Language Environment base services must be installed on the subsystem or data sharing member.
- Applications must use the corresponding ODBC driver for the addressing mode in which they are running.

Db2 ODBC applications can be written for either 31-bit addressing mode, AMODE(31) or 64-bit addressing mode, AMODE(64). 31-bit applications must use the 31-bit ODBC driver; they cannot use the 64-bit ODBC driver. Likewise, 64-bit applications must use the 64-bit driver; they cannot use the 31-bit ODBC driver.

Restriction: Although 64-bit mode provides larger addressable storage, the amount of data that can be sent to or retrieved from Db2 by an ODBC application is still limited by the amount of storage that is available below the 2-GB bar. Therefore, for example, an application cannot declare a 2 GB LOB above the bar and insert the entire LOB value into a Db2 LOB column.

For ODBC applications that are built on z/OS UNIX, you do not need to copy the Db2 ODBC product file to HFS. You can directly reference the non-HFS Db2 ODBC data sets in the c89 compile command.

Related concepts

[The Db2 ODBC run time environment](#)

Db2 ODBC support is implemented as an IBM C/C++ Dynamic Load Library (DLL). All API calls are routed through the single ODBC driver that is loaded at run time into the application address space.

Preparing and executing an ODBC application

You must compile, prelink, and link-edit an ODBC application before you can run it. Db2 ODBC provides sample programs to help you with program preparation.

About this task

For guidance in how to prepare and execute an ODBC application, use the following online samples, which are provided in DSN1210.SDSNSAMP:

DSN803VP

A sample C application. You can use this sample to verify that your Db2 ODBC 3.0 installation is correct.

DSN80IVP

A sample C application. You can use this sample to verify that your Db2 ODBC 2.0 installation is correct.

DSNTEJ8

Sample JCL. You can use this sample to compile, prelink, link-edit, and execute the sample application DSN803VP or DSN80IVP to use the non-XPLINK driver.

DSNTEJ8X

Sample JCL. You can use this sample to compile, link-edit, and execute the sample applications DSN803VP or DSN80IVP to use the 31-bit XPLINK driver.

DSNTEJ8E

Sample JCL. You can use this sample to compile, link-edit, and execute the sample applications DSN803VP or DSN80IVP to use the 64-bit XPLINK driver.

To use the DSN803VP or DSN80IVP samples in z/OS UNIX, copy DSN803VP or DSN80IVP from the sample data set to HFS. `usr/db2` is considered the user's directory. For example:

```
oput 'DSN1210.SDSNSAMP(dsn803vp)' '/usr/db2/dsn803vp.c' TEXT
```

Related concepts

[DSN803VP sample application](#)

The DSN803VP sample program validates the installation of Db2 ODBC.

Compiling an ODBC application

The first step in preparing an ODBC application is to compile it. the compiler process is slightly different depending on whether the application is an XPLINK application, a non-XPLINK application, or a 64-bit application.

Before you begin

Before you begin compiling a Db2 ODBC application, ensure that you include the header file `sqlcli1.h` in your application. This header file contains all information that is required to compile the application. To include this file, add the following directive in the header of your Db2 ODBC application:

```
#include <sqlcli1.h>
```

Procedure

Depending on whether the application is an XPLINK application, a non-XPLINK application, or a 64-bit application, follow the appropriate instructions for compiling it.

For all Db2 ODBC applications, when you compile the application, you must add the DSN1210.SDSNC.H data set to the SYSPATH concatenation, the include path that is specified by the SEARCH or LSEARCH compiler options or the -I option for z/OS UNIX System Services. This data set includes all Db2 ODBC header files that define the function prototypes, constants, and data structures that are needed for a Db2 ODBC application.

Compiling non-XPLINK applications

If your application does not need to use z/OS XPLINK function linkage and is not written for 64-bit addressing, use the ODBC non-XPLINK driver and compile your application as a non-XPLINK application.

Procedure

Perform one of the following actions:

Option	Description
Non-XPLINK ODBC application in z/OS	Specify the NOXPLINK compile option. For an example of a non-XPLINK compile job, see the DSNTEJ8 online sample in DSN1210.SDSNSAMP.
Non-XPLINK ODBC C application in z/OS UNIX System Services	Use the c89 compile command and specify the -W 'c,dll' compile option. (The 'dll' option enables the use of the Db2 ODBC driver for C applications.) For example, to compile a C application that is named dsn8o3vp.c that resides in the current working directory, use the following c89 compile command: <pre>c89 -c -W 'c,dll,long,source,list' - -I"//DSN1210.SDSNC.H" \ dsn8o3vp.c</pre>
ODBC C++ application in z/OS UNIX System Services	Use the cxx compile command with the -W 'c' compile option For example, to compile a C++ application that is named dsn8o3vp.c that resides in the current working directory, use the following cxx compile command: <pre>cxx -c -W 'c,long,source,list' - -I"//DSN1210.SDSNC.H" \ dsn8o3vp.c</pre>

Compiling 31-bit XPLINK applications

If your 31-bit application needs to use z/OS XPLINK function linkage, use the ODBC 31-bit XPLINK driver and compile your application as an XPLINK application.

Procedure

Perform one of the following actions based on the compiler method:

Compile method	Application language	Action
Compile on z/OS	All	Specify the XPLINK compile option. For an example, see DSNTEJ8X in <i>prefix.SDSNSAMP</i> .

Compile method	Application language	Action
Compile in z/OS UNIX System Services	C	<p>Use the <code>c89</code> command with the <code>-W 'c,xplink,dll'</code> compile option. (The <code>'dll'</code> option enables the use of the Db2 ODBC driver for C applications.)</p> <p>For example, to compile a C application that is named <code>dsn8o3vp.c</code> that resides in the current working directory, use the following <code>c89</code> compile command:</p> <pre>c89 -c -W 'c,xplink,dll,long,source,list' - -I"//'<i>prefix</i>.SDSNC.H'" \ dsn8o3vp.c</pre>
	C++	<p>Use the <code>cxx</code> compile command with the <code>-W 'c,xplink'</code> compile option.</p> <p>For example, to compile a C++ application that is named <code>dsn8o3vp.c</code> that resides in the current working directory, use the following <code>cxx</code> compile command:</p> <pre>cxx -c -W 'c,xplink,long,source,list' - -I"//'<i>prefix</i>.SDSNC.H'" \ dsn8o3vp.C</pre>
Compile with the <code>xlc</code> utility on z/OS UNIX System Services	C	<p>Specify the appropriate compiler options in the source program, a configuration file, or on the command line.</p> <p>For example, to compile a C application that is named <code>dsn8o3vp.c</code>, you can use the following command:</p> <pre>xlc -c -qxplink dsn8o3vp.c -I"//'<i>prefix</i>.SDSNC.H'"</pre>
	C++	<p>Specify the appropriate compiler options in the source program, a configuration file, or on the command line.</p> <p>For example, to compile a C++ application that is named <code>dsn8o3vp.c</code>, you can use the following command:</p> <pre>xlc -c -qxplink dsn8o3vp.C -I"//'<i>prefix</i>.SDSNC.H'"</pre>

Compiling 64-bit applications

If your application is written for 64-bit addressing, use the ODBC 64-bit driver to compile your application.

Procedure

Perform one of the following actions based on the compiler method:

Compile method	Application language	Action
Compile on z/OS	All	<p>Specify the <code>LP64</code> compile option. Also consider specifying the <code>FLOAT(HEX)</code> and <code>WARN64</code> compile options. ^{a b}</p> <p>For an example, see <code>DSNTEJ8E</code> in <code>prefix.SDSNSAMP</code>.</p>

Compile method	Application language	Action
Compile in z/OS UNIX System Services	C	<p>Use the <code>c89</code> command with the <code>-W 'c,lp64'</code> compile option. Also consider specifying the <code>float(hex)</code> and <code>warn64</code> compile options. ^{a b}</p> <p>For example, to compile a 64-bit C application that is named <code>dsn8o3vp.c</code> that resides in the current working directory, use the following <code>c89</code> compile command:</p> <pre>c89 -c -W 'c,lp64,float(hex),warn64,long,source,list' -I'/'prefix.SDSNC.H'" \ dsn8o3vp.c</pre>
	C++	<p>Use the <code>cxx</code> compile command with the <code>-W 'c,lp64'</code> compile option. Also consider specifying the <code>float(hex)</code> and <code>warn64</code> compile options. ^{a b}</p> <p>For example, to compile a 64-bit C++ application that is named <code>dsn8o3vp.c</code> that resides in the current working directory, use the following <code>cxx</code> compile command:</p> <pre>cxx -c -W 'c,lp64,float(hex),warn64,long,source,list' -I'/'prefix.SDSNC.H'" \ dsn8o3vp.C</pre>
Compile with the <code>xlc</code> utility on z/OS UNIX System Services	C	<p>Specify the appropriate compiler options in the source program, a configuration file, or on the command line. The following example shows how to compile a 64-bit C application by using the command line options:</p> <pre>xlc -c -q64 -qfloat=hex -qwarn64 dsn8o3vp.c -I'/'prefix.SDSNC.H'"</pre>
	C++	<p>Specify the appropriate compiler options in the source program, a configuration file, or on the command line. The following example shows how to compile a 64-bit C++ application by using the command line options:</p> <pre>xlc -c -q64 -qfloat=hex -qwarn64 dsn8o3vp.C -I'/'prefix.SDSNC.H'"</pre>

Notes:

- Specify `FLOAT(HEX)` if you want the 64-bit application to generate floating-point data in hexadecimal format. By default, specifying the `LP64` compile option generates `FLOAT(IEEE)` code. This behavior is different from the default setting of `FLOAT(HEX)` when compiling 31-bit applications. For applications that are compiled with `FLOAT(IEEE)`, you must specify `FLOAT=IEEE` in the common section of the initialization file.

Important: after setting `FLOAT=IEEE`, you must recompile your application program with the C compiler option set to `FLOAT(IEEE)`. Failure to do so could result in data corruption.
- Specify `WARN64` when recompiling existing 31-bit ODBC applications into 64-bit code. This option detects possible portability errors.

Related reference

[Building and using Dynamic Link Libraries \(DLLs\) \(XL C/C++ Programming Guide\)](#)

Prelinking and link-editing an ODBC application

After you compile your ODBC application, you must prelink and link-edit it before you can run it. This process is slightly different depending on whether the application is an XPLINK application, a non-XPLINK application, or a 64-bit application.

Procedure

Depending on whether the application is an XPLINK application, a non-XPLINK application, or a 64-bit application, follow the appropriate instructions for prelinking and link-editing.

You can prelink and link-edit XPLINK applications in one step. For non-XPLINK applications, you must use two steps.

Ensure that you include the appropriate Db2 ODBC definition sidedeck as input to the prelink or link-edit step of your application. Db2 for z/OS ODBC provides the following definition sidedecks:

- Non-XPLINK definition sidedeck, which defines all of the exported functions to use the non-XPLINK ODBC driver. This sidedeck resides in the DSN1210.SDSNMACS data set as member DSNOCCLI.
- 31-bit XPLINK definition sidedeck, which defines all of the exported functions to use the 31-bit XPLINK ODBC driver. This sidedeck resides in the DSN1210.SDSNMACS data set as member DSNAOCLX.
- 64-bit XPLINK definition sidedeck, which defines all of the exported functions to use the 64-bit ODBC driver. This sidedeck resides in the DSN1210.SDSNMACS data set as member DSNAO64C.

The definition sidedeck that you include in the prelink or link-edit step of your application determines which Db2 ODBC dynamic load library is used.

Prelinking and link-editing non-XPLINK applications

Before you can link-edit a non-XPLINK application, you must prelink your application with a Db2 ODBC definition sidedeck.

About this task

For non-XPLINK applications, you should use the non-XPLINK ODBC driver. Although doing so is not recommended, you can link-edit your non-XPLINK application as an XPLINK application.

Procedure

Perform one of the following actions:

Option	Description
Link-edit a non-XPLINK ODBC application in z/OS	<p>Include the DSNAOCLI member as input to the prelinker by specifying it in the prelink SYSIN data definition statement concatenation.</p> <p>For an example of z/OS prelink and link-edit jobs, use the DSNTJ8 and DSNTJ8X sample jobs in DSN1210.SDSNSAMP.</p>
Link-edit a non-XPLINK ODBC application in z/OS UNIX System Services	<p>Use the c89 command to prelink and link-edit C applications and the cxx command to prelink and link-edit C++ applications. Include the following items in the command:</p> <ul style="list-style-type: none">• The Db2 ODBC non-XPLINK definition sidedeck, DSN1210.SDSNMACS(DSNOCCLI), as one of the input data sets. <p>Before you can use a Db2 ODBC definition sidedeck for input to the c89 or cxx command, you must either specify an alias that uses .EXP for the last qualifier, or change the value of the _XSUFFIX_HOST z/OS UNIX environment variable.</p>

Option	Description
	<ul style="list-style-type: none"> The 'dll' link-edit option.

Examples

Example

Assume that you have already compiled an application named myapp.c to create a myapp.o file in the current working directory and that you specified an alias that uses .EXP as the last qualifier for the Db2 ODBC non-XPLINK definition sidedeck. You use the following c89 command to prelink and link-edit a C application:

```
c89 -W l,p,map,noer -W l,dll,AMODE=31,map \
-o dsn8o3vp dsn8o3vp.o "'/'DSN1210.SDSNC.EXP(DSNAOCLI)'"
```

You use the following cxx command to prelink and link-edit a C++ application:

```
cxx -W l,p,map,noer -W l,dll,AMODE=31,map \
-o dsn8o3vp dsn8o3vp.o "'/'DSN1210.SDSNC.EXP(DSNAOCLI)'"
```

Example

Assume that you have already compiled an application named myapp.c to create a myapp.o file in the current working directory and that you changed the value of the _C89_XSUFFIX_HOST or _CXX_XSUFFIX_HOST environment variable to SDSNMACS. You use the following c89 command to prelink and link-edit a C application:

```
c89 -W l,p,map,noer -W l,dll,AMODE=31,map -o dsn8o3vp dsn8o3vp.o
"'/'DSN1210.SDSNMACS(DSNAOCLI)'"
```

You use the following cxx command to prelink and link-edit a C++ application:

```
cxx -W l,p,map,noer -W l,dll,AMODE=31,map -o dsn8o3vp dsn8o3vp.o
"'/'DSN1210.SDSNMACS(DSNAOCLI)'"
```

Link-editing 31-bit XPLINK applications

For applications that are compiled as 31-bit XPLINK applications, you must link-edit your applications with the DFSMS binder.

About this task

For 31-bit XPLINK applications, you should use the 31-bit XPLINK ODBC driver. Although doing so is not recommended, you can also use the non-XPLINK driver with 31-bit XPLINK compiled applications.

Procedure

Perform one of the following actions:

Option	Description
Link-edit the application in z/OS	<p>Include the member DSNAOCLX as input to the binder by specifying it in the binder SYSIN data definition statement concatenation.</p> <p>For an example of z/OS XPLINK link-edit jobs, see the DSNTEJ8X sample job in DSN1210.SDSNSAMP.</p>
Link-edit the application in z/OS UNIX System Services	<p>Use the c89 command to prelink and link-edit C applications and the cxx command to prelink and link-edit C++ applications. Include the following items in the command:</p> <ul style="list-style-type: none"> The Db2 ODBC definition sidedeck, DSN1210.SDSNMACS(DSNAOCLX), as one of the input data sets.

Option	Description
	<p>Before you can use a Db2 ODBC definition sidedeck for input to the c89 or cxx command, you must either specify an alias that uses .EXP for the last qualifier, or change the value of the _XSUFFIX_HOST z/OS UNIX environment variable.</p> <ul style="list-style-type: none"> • The 'dll' link-edit option. <p>Alternatively, you can use the xlc utility on z/OS UNIX System Services to link-edit the application. Follow the appropriate syntax for that utility.</p>

Examples

Example: link-editing in z/OS UNIX when you specify an alias for the ODBC definition sidedeck

Assume that you have already compiled an application named myapp.c to create a myapp.o file in the current working directory. Assume that you also specified an alias that uses .EXP as the last qualifier for the Db2 ODBC definition sidedeck. You can use the following c89 command to prelink and link-edit an XPLINK 31-bit C application:

```
c89 -W l,xplink,dll,AMODE=31,map \
-o dsn8o3vp dsn8o3vp.o "'/'DSN1210.SDSNC.EXP(DSNAOCLX)'"
```

You can use the following cxx command to prelink and link-edit an XPLINK 31-bit C++ application:

```
cxx -W l,xplink,dll,AMODE=31,map \
-o dsn8o3vp dsn8o3vp.o "'/'DSN1210.SDSNC.EXP(DSNAOCLX)'"
```

Example: link-editing in z/OS UNIX when you change the value of the XSUFFIX_HOST variable

Assume that you have already compiled an application named myapp.c to create a myapp.o file in the current working directory. Assume that you changed the value of the _C89_XSUFFIX_HOST or _CXX_XSUFFIX_HOST environment variable to SDSNMACS. You can use the following c89 command to prelink and link-edit an XPLINK 31-bit C application:

```
c89 -W l,xplink,dll,AMODE=31,map \
-o dsn8o3vp dsn8o3vp.o "'/'DSN1210.SDSNMACS(DSNAOCLX)'"
```

You can use the following cxx command to prelink and link-edit an XPLINK 31-bit C++ application:

```
cxx -W l,xplink,dll,AMODE=31,map \
-o dsn8o3vp dsn8o3vp.o "'/'DSN1210.SDSNMACS(DSNAOCLX)'"
```

Related reference

[Building and using Dynamic Link Libraries \(DLLs\) \(XL C/C++ Programming Guide\)](#)

Link-editing 64-bit applications

For 64-bit applications, you must link-edit your applications with the DFSMS binder. 64-bit applications are compiled as XPLINK applications.

About this task

For 64-bit applications, you must use the 64-bit ODBC driver.

Procedure

Take one of the following actions:

Option	Description
To link-edit the application in z/OS:	<p>Include the following items in your JCL:</p> <ul style="list-style-type: none"> The z/OS Language Environment library SCEEBND2 in the application's SYSLIB concatenation. The 64-bit definition sidedeck, DSN1210.SDSNMACS(DSNAO64C), in the SYSLIN concatenation. The definition sidedecks for the LE run time library bindings in the SYSLIN concatenation. For applications that are written in C, include the C RTL sidedeck CELQS003 from the LE SCEELIB data set. For applications that are written in C++, include both CELQS003 and the C++ sidedeck CELQSCPP. <p>For an example of a z/OS link-edit job for a 64-bit application, see the DSNTJ8E sample job in DSN1210.SDSNSAMP.</p>
To link-edit the application in z/OS UNIX System Services:	<p>Use the c89 command to prelink and link-edit C applications and the cxx command to prelink and link-edit C++ applications. Include the following items in the command:</p> <ul style="list-style-type: none"> The Db2 ODBC definition sidedeck for 64-bit applications, DSN1210.SDSNMACS(DSNAO64C), as one of the input data sets. <p>Before you can use a Db2 ODBC definition sidedeck for input to the c89 or cxx command, you must either specify an alias that uses .EXP for the last qualifier, or change the value of the _XSUFFIX_HOST z/OS UNIX environment variable.</p> <ul style="list-style-type: none"> The lp64 option <p>Alternatively, you can use the xlc utility on z/OS UNIX System Services to link-edit the application. Follow the appropriate syntax for that utility.</p>

Example of link-editing in z/OS UNIX when you specify an alias for the ODBC definition sidedeck

Assume that you have already compiled an application named myapp.c to create a myapp.o file in the current working directory. Assume that you also specified an alias that uses .EXP as the last qualifier for the Db2 ODBC definition sidedeck.

You use the following c89 command to prelink and link-edit a 64-bit C application:

```
c89 -W l,lp64,map -o dsn8o3vp dsn8o3vp.o "'/'DSN1210.SDSNC.EXP(DSNAO64C)'"
```

You use the following cxx command to prelink and link-edit a 64-bit C++ application:

```
cxx -W l,lp64,map -o dsn8o3vp dsn8o3vp.o "'/'DSN1210.SDSNC.EXP(DSNAO64C)'"
```

Related reference

[Building and using Dynamic Link Libraries \(DLLs\) \(XL C/C++ Programming Guide\)](#)

Executing an ODBC application

You can execute an ODBC application by using a z/OS job or by using z/OS UNIX commands.

Procedure

Perform the following actions, as applicable:

- For applications that you want to execute on z/OS:** Use one of the execution jobs in the following samples in DSN1210.SDSNSAMP as a model:

DSNTEJ8

Shows how to execute non-XPLINK applications

DSNTEJ8X

Shows how to execute 31-bit XPLINK applications.

DSNTEJ8E

Shows how to execute 64-bit XPLINK applications.

- **For applications that you want to execute on z/OS UNIX System Services:** Include the DSN1210.SDSNEXIT and DSN1210.SDSNLOAD data sets in the data set concatenation of your STEPLIB environment variable. You can set the STEPLIB environment variable in your `.profile` with the following statement:

```
export STEPLIB=DSN1210.SDSNEXIT:DSN1210.SDSNLOAD
```

- **For all ODBC applications:** Ensure that your application can access the following items:
 - The DSN1210.SDSNLOAD data set
The SDSNLOAD data set contains both the Db2 ODBC dynamic load library and the attachment facility module that is used to communicate with Db2.
 - Any site-specific DSNHDECP
The Db2 for z/OS load module DSNHDECP contains, among other things, the coded character set ID (CCSID) information that Db2 for z/OS uses.

A default DSNHDECP is shipped with Db2 for z/OS in the DSN1210.SDSNLOAD data set. However, if the values that are provided in the default DSNHDECP are not appropriate for your site, a new DSNHDECP can be created during the installation of Db2 for z/OS. If a site-specific DSNHDECP is created during installation, you should concatenate the data set that contains the new DSNHDECP before the DSN1210.SDSNLOAD data set in your STEPLIB or JOBLIB data definition statement.
- **For 31-bit XPLINK applications and 64-bit applications:** To use the 31-bit XPLINK driver or the 64-bit driver, you must perform the following actions:
 - Include z/OS Language Environment libraries SCEERUN and SCEERUN2 run time libraries in the application's STEPLIB, JOBLIB, LPALST, or LNKLST concatenation. For z/OS UNIX, ensure that these run time libraries are qualified with the prefix that the `_C89_PLIB_PREFIX` or `_CXX_PLIB_PREFIX` environment variable specifies.
 - Ensure that the application can access the XPLINK dynamic link library DSNAOCLX in the DSN1210.SDSNLOAD2 data set at execution time.
 - For 31-bit applications, ensure that the application can access the XPLINK dynamic link library DSNAOCLX in the DSN1210.SDSNLOAD2 data set at execution time.
 - For 64-bit applications, ensure that the application can access the 64-bit dynamic link library DSNAO64C in the DSN1210.SDSNLOAD2 data set at execution time.
 - For non-XPLINK applications that use the XPLINK driver, specify the XPLINK(ON) Language Environment run time option to allocate XPLINK resources.

How to define a subsystem to Db2 ODBC

You can define a Db2 subsystem in two ways. You can use MVSDEFAULTSSID, or you can use the default that is specified in the DSNHDECP load module.

You can identify the Db2 subsystem by specifying the MVSDEFAULTSSID keyword in the common section of initialization file. If the MVSDEFAULTSSID keyword does not exist in the initialization file, Db2 ODBC uses the default subsystem name specified in the DSNHDECP load module that was created when Db2 was installed. Therefore, you should ensure that Db2 ODBC can find the intended DSNHDECP when your application issues the `SQLAllocHandle()` call (with *HandleType* set to `SQL_HANDLE_ENV`).

The DSNHDECP load module is usually link-edited into the DSN1210 .SDSNEXIT data set. In this case, your STEPLIB DD card includes:

```
//STEPLIB DD DSN=DSN1210.SDSNEXIT,DISP=SHR
// DD DSN=DSN1210.SDSNLOAD,DISP=SHR
...
```

Db2 ODBC initialization file

A set of optional keywords can be specified in a Db2 ODBC *initialization file*. An initialization file stores default values for various Db2 ODBC configuration options. Because the initialization file has EBCDIC text, you can use a file editor, such as the TSO editor, to edit it.

For most applications, use of the Db2 ODBC initialization file is not necessary. However, to make better use of Db2 for z/OS features, the keywords can be specified to:

- Help improve the performance or usability of an application.
- Provide support for applications written for a previous version of Db2 ODBC.
- Provide specific workarounds for existing ODBC applications.

Related concepts

[How to use the initialization file](#)

The Db2 ODBC initialization file is read at application run time. You can specify the file by using either a DSNAOINI data definition statement or by defining a DSNAOINI z/OS UNIX environment variable.

Related reference

[Db2 ODBC initialization keywords](#)

Db2 ODBC initialization keywords control the run time environment for Db2 ODBC applications.

How to use the initialization file

The Db2 ODBC initialization file is read at application run time. You can specify the file by using either a DSNAOINI data definition statement or by defining a DSNAOINI z/OS UNIX environment variable.

Db2 ODBC opens the DSNAOINI data set allocated in your JCL first. If a DSNAOINI data set is not allocated, then Db2 ODBC opens the environment variable data set.

The initialization file specified can be either a traditional z/OS data set or an HFS file under the z/OS UNIX environment. For z/OS data sets, the record format of the initialization file can be either fixed or variable length.

The following examples use a DSNAOINI JCL data definition statement to specify the Db2 ODBC initialization file types supported:

Sequential data set USER1 . DB2ODBC . ODBCINI:

```
//DSNAOINI DD DSN=USER1.DB2ODBC.ODBCINI,DISP=SHR
```

Partitioned data set USER1 . DB2ODBC . DATA, member ODBCINI:

```
//DSNAOINI DD DSN=USER1.DB2ODBC.DATA(ODBCINI),DISP=SHR
```

Inline JCL DSNAOINI DD specification:

```
//DSNAOINI DD *
[COMMON]
MVSDEFAULTSSID=VC1A
/*
```

HFS file /u/user1/db2odbc/odbcini:

```
//DSNAOINI DD PATH='/u/user1/db2odbc/odbcini'
```


The following examples of z/OS UNIX export statements define the Db2 ODBC DSNAOINI z/OS UNIX environment variable for the Db2 ODBC initialization file types supported:

HFS fully qualified file /u/user1/db2odbc/odbcini:

```
export DSNAOINI="/u/user1/db2odbc/odbcini"
```

HFS file ./db2odbc/odbcini, relative to the present working directory of the application:

```
export DSNAOINI="./db2odbc/odbcini"
```

Sequential data set USER1.ODBCINI:

```
export DSNAOINI="USER1.ODBCINI"
```

Redirecting to use a file that is specified by another previously allocated DD statement, MYDD:

```
export DSNAOINI="//DD:MYDD"
```

Partitioned data set USER1.DB2ODBC.DATA, member ODBCINI:

```
export DSNAOINI="USER1.DB2ODBC.DATA(ODBCINI)"
```

When specifying an HFS file, the value of the DSNAOINI environment variable must begin with either a single forward slash (/), or a period followed by a single forward slash (./). If a setting starts with any other characters, Db2 ODBC assumes that a z/OS data set name is specified.

Allocation precedence: Db2 ODBC opens the DSNAOINI data set allocated in your JCL first. If a DSNAOINI data set is not allocated, then Db2 ODBC opens the environment variable data set.

Structure of the initialization file

The initialization file consists of three types of section: common section, subsystem section, and data source sections.

The three sections, which are also called stanzas, are described as follows:

Common section

Contains parameters that are global to all applications using this initialization file.

Subsystem section

Contains parameter values unique to that subsystem.

Data source sections

Contain parameter values to be used only when connected to that data source. You can specify zero or more data source sections.

Each section is identified by a syntactic identifier enclosed in square brackets.

The syntactic identifier is either the literal 'common', the subsystem ID or the data source (location name). For example:

```
[data-source-name]
```

This is the *section header*.

The parameters are set by specifying a keyword with its associated keyword value in the form:

```
KeywordName =keywordValue
```

- All the keywords and their associated values for each data source must be located below the data source section header.
- The keyword settings in each section apply only to the data source name in that section header.
- The keywords are **not** case sensitive; however, their values can be if the values are character based.

- If a data source name is not found in the Db2 ODBC initialization file, the default values for these keywords are in effect.
- Comment lines are introduced by having a semicolon in the first position of a new line.
- Blank lines are also permitted. If duplicate entries for a keyword exist, the first entry is used (and no warning is given).

Important: You can avoid common errors by ensuring that the following contents of the initialization file are accurate:

- Square brackets: The square brackets in the initialization file must consist of the correct EBCDIC characters. The open square bracket must use the hexadecimal characters X'AD'. The close square bracket must use the hexadecimal characters X'BD'. Db2 ODBC does not recognize brackets if coded differently.
- Sequence numbers: The initialization file cannot accept sequence numbers. All sequence numbers must be removed.

The following sample is a Db2 ODBC initialization file with a common stanza, a subsystem stanza, and two data source stanzas.

```
; This is a comment line...
; Example COMMON stanza
[COMMON]
MVSDEFAULTSSID=VC1A
CONNECTTYPE=2
; Example SUBSYSTEM stanza for VC1A subsystem
[V81A]
MVSATTACHTYPE=CAF
PLANNNAME=DSNACLI
; Example DATA SOURCE stanza for STLEC1 data source
[STLEC1]
AUTOCOMMIT=0
; Example DATA SOURCE stanza for STLEC1B data source
[STLEC1B]
CURSORHOLD=0
```

Related reference

[Db2 ODBC initialization keywords](#)

Db2 ODBC initialization keywords control the run time environment for Db2 ODBC applications.

Db2 ODBC initialization keywords

Db2 ODBC initialization keywords control the run time environment for Db2 ODBC applications.

The section (common, subsystem, or data source) in the initialization file where each keyword must be defined is identified.

ACCOUNTINGINTERVAL = COMMIT

This keyword is placed in the subsystem section.

Use the ACCOUNTINGINTERVAL keyword to specify whether Db2 accounting records are produced at commit points. When ACCOUNTINGINTERVAL is set to COMMIT, an accounting record is produced each time that a transaction is committed on a connection handle. When ACCOUNTINGINTERVAL is not specified, or a keyword value other than COMMIT is specified, accounting records are produced when the physical connection on the connection handle is terminated.

Db2 ODBC ignores ACCOUNTINGINTERVAL if MVSATTACHTYPE=CAF is specified, or if the Db2 ODBC application is running as a Db2 for z/OS stored procedure.

APPLTRACE = 0 | 1

This keyword is placed in the common section.

The APPLTRACE keyword controls whether the Db2 ODBC application trace is enabled. The application trace is designed for diagnosis of application errors. If enabled, every call to any Db2 ODBC API from the application is traced, including input parameters. The trace is written to the file specified on the APPLTRACEFILENAME keyword.

- 0** Disabled (default)
- 1** Enabled

APPLTRACEFILENAME = *dataset_name*

This keyword is placed in the common section.

APPLTRACEFILENAME is only used if a trace is started by the APPLTRACE keyword. When APPLTRACE is set to 1, use the APPLTRACEFILENAME keyword to identify a z/OS data set name or z/OS UNIX environment HFS file name that records the Db2 ODBC application trace.

AUTOCOMMIT = 1 | 0

This keyword is placed in the data source section.

To be consistent with ODBC, Db2 ODBC defaults with AUTOCOMMIT on, which means each statement is treated as a single, complete transaction. This keyword can provide an alternative default, but is only used if the application does not specify a value for AUTOCOMMIT as part of the program.

- 1** On (default)
- 0** Off

Most ODBC applications assume that the default of AUTOCOMMIT is on. Use extreme care when you override this default during run time. The application might depend on this default to operate properly.

Although you can specify only two different values for this keyword, you can also specify whether AUTOCOMMIT is enabled in a distributed unit of work (DUW) environment. If a connection is part of a coordinated DUW, and AUTOCOMMIT is not set, the default does not apply. Implicit commits that arise from autocommit processing are suppressed. If AUTOCOMMIT is set to 1, and the connection is part of a coordinated DUW, the implicit commits are processed. This situation can result in severe performance degradations, and possibly other unexpected results elsewhere in the DUW system. However, some applications might not work at all unless this is enabled.

A thorough understanding of the transaction processing of an application is necessary, especially applications that are written by a third party, before you apply it to a DUW environment.

To enable global transaction processing in an application, specify AUTOCOMMIT=0, MULTICONTEXT=0, and MVSATTACHTYPE=RRSAF.

BITDATA = 1 | 0

This keyword is placed in the data source section.

You can use the BITDATA keyword to specify whether ODBC SQL_BINARY, SQL_VARBINARY, SQL_LONGVARBINARY, and SQL_BLOB types are reported as binary type data. IBM database servers support columns with binary data types by defining CHAR, VARCHAR, and LONG VARCHAR columns with the FOR BIT DATA attribute, or by defining BINARY or VARBINARY columns.

Set BITDATA = 0 only if you are sure that all columns defined as FOR BIT DATA, BLOB, BINARY, or VARBINARY contain only character data, and the application is incapable of displaying binary data columns.

- 1** Report FOR BIT DATA, BLOB, BINARY, or VARBINARY data types as binary data. This value is the default.
- 0** Report FOR BIT DATA, BLOB, BINARY, or VARBINARY data types as character data.

CLIENTACTSTR = *accounting string*

This keyword is placed in the data source section.

The CLIENTACCTSTR enables the ODBC application to send the client accounting string to the host database server. Applications that do not specify the accounting string by default can take advantage of this keyword to provide this information.

The value that the application specifies for *accounting string* must be no longer than 255 characters. Some servers might not be able to handle the entire length of the value provided and might truncate it. If truncation occurs, users will not see any truncation warnings.

To ensure that the data is converted correctly when transmitted to a host system, use only characters A to Z, 0 to 9, and the underscore (_) or period (.).

CLIENTACCTSTR is not supported if any of these conditions are true:

- MVSATTACHTYPE=CAF is specified.
- The application created a Db2 thread using CAF before invoking Db2 ODBC.
- The application is a stored procedure.

CLIENTAPPLNAME = *application name*

This keyword is placed in the data source section.

The CLIENTAPPLNAME enables the ODBC application to send the client application name to the host database server. Applications that do not specify the application name by default can take advantage of this keyword to provide this information.

The value that the application specifies for *application name* must be no longer than 255 characters. Some servers might not be able to handle the entire length of the value provided and might truncate it. If truncation occurs, users will not see any truncation warnings.

To ensure that the data is converted correctly when transmitted to a host system, use only characters A to Z, 0 to 9, and the underscore (_) or period (.).

CLIENTAPPLNAME is not supported if any of these conditions are true:

- MVSATTACHTYPE=CAF is specified.
- The application created a Db2 thread using CAF before invoking Db2 ODBC.
- The application is a stored procedure.

CLIENTUSERID = *userid*

This keyword is placed in the data source section.

The CLIENTUSERID enables the ODBC application to send the client user ID to the host database server. Applications that do not specify the user ID by default can take advantage of this keyword to provide this information.

The client user ID is not to be confused with the authentication user ID. The client user ID is for identification purposes only and is not used for any authorization.

The value that the application specifies for *userid* must be no longer than 128 characters. Some servers might not be able to handle the entire length of the value provided and might truncate it. If truncation occurs, users will not see any truncation warnings.

To ensure that the data is converted correctly when transmitted to a host system, use only characters A to Z, 0 to 9, and the underscore (_) or period (.).

CLIENTUSERID is not supported if any of these conditions are true:

- MVSATTACHTYPE=CAF is specified.
- The application created a Db2 thread using CAF before invoking Db2 ODBC.
- The application is a stored procedure.

CLIENTTIMEZONE = *±hh:mm*

This keyword is placed in the data source section.

When a datetime value that does not have a time zone is assigned to a `TIMESTAMP WITH TIME ZONE` column or an `SQL_C_TYPE_TIMESTAMP_EXT_TZ` variable, ODBC applications can use the

CLIENTTIMEZONE and SESSIONTIMEZONE initialization keywords to determine the time zone to associate with the datetime value.

The keyword value is in the format of ±hh:mm. This time zone information will be used at the client side for conversion and padding purposes only. For input data bound to SQL_TYPE_TIMESTAMP_WITH_TIMEZONE that does not have a time zone component, ODBC will append the CLIENTTIMEZONE value to the input data. For output data that is retrieved into SQL_C_TYPE_TIMESTAMP_EXT_TZ from a result set column that does not have a time zone component, ODBC will use the CLIENTTIMEZONE value to populate the TIMESTAMP_STRUCT_EXT_TZ structure and return the data in the client time zone.

hh

Represents the time zone hour offset between -12 and +14

mm

Represents the time zone minute offset between 0 and 59, with values ranging from -12:59 and +14:00

If CLIENTTIMEZONE is not set, no client time zone value is provided for data type conversions, in which case, the time zone value is determined by the SESSIONTIMEZONE keyword or the IMPLICIT_TIMEZONE setting in the DSNHDECP load module. Specifically:

- If SESSIONTIMEZONE is set, but not CLIENTTIMEZONE, the time zone value that is assigned to a TIMESTAMP WITH TIME ZONE column is determined by the IMPLICIT_TIMEZONE parameter of DSNHDECP at the server. For time zone value assigned to SQL_C_TYPE_TIMESTAMP_EXT_TZ, SESSIONTIMEZONE is returned.
- If neither CLIENTTIMEZONE nor SESSIONTIMEZONE is set, the time zone value is set to the client's OS default time zone.

Alternatively, the client time zone can be set using the SQLSetConnectAttr() or SQLSetStmtAttr() with the SQL_ATTR_CLIENT_TIME_ZONE attribute.

CLIENTWRKSTNNAME = *workstation name*

This keyword is placed in the data source section.

The CLIENTWRKSTNNAME enables the ODBC application to send the client workstation name to the host database server. Applications that do not specify the workstation name by default can take advantage of this keyword to provide this information.

The value that the application specifies for *workstation name* must be no longer than 255 characters. Some servers might not be able to handle the entire length of the value provided and might truncate it. If truncation occurs, users will not see any truncation warnings.

To ensure that the data is converted correctly when transmitted to a host system, use only characters A to Z, 0 to 9, and the underscore (_) or period (.).

CLIENTWRKSTNNAME is not supported if any of these conditions are true:

- MVSATTACHTYPE=CAF is specified.
- The application created a Db2 thread using CAF before invoking Db2 ODBC.
- The application is a stored procedure.

CLISHEMA = *schema_name*

This keyword is deprecated.

If you specify this keyword, the ODBC driver does not use the database metadata stored procedures to retrieve catalog information.

COLLECTIONID = *collection_id*

This keyword is placed in the data source section.

Specifies the collection identifier that is used to resolve the name of the package that is allocated at the server. This package supports the execution of subsequent SQL statements.

The value is a character string and must not exceed 128 characters. It can be overridden by executing the SET CURRENT PACKAGESET statement.

CONCURRENTACCESSRESOLUTION = 0 | 1 | 2 | 3

The CONCURRENTACCESSRESOLUTION keyword controls how access to uncommitted data is resolved for a read transaction.

0

No setting. This value is the default value.

1

USE CURRENTLY COMMITTED. A read transaction can access the currently committed version of the data when the data is being updated or deleted. Rows that are in the process of being inserted are skipped. After this value is set, all user SELECT statements are prepared with the attribute USE CURRENTLY COMMITTED attribute. This option applies only when cursor stability (CS) or read stability (RS) isolation are in effect.

2

WAIT FOR OUTCOME. Read transactions that require access to data that is being updated or deleted must wait for a COMMIT or ROLLBACK operation to complete. Rows that are in the process of being inserted are not skipped. After this value is set, all user SELECT statements are prepared with the WAIT FOR COMMIT attribute.

3

SKIP LOCKED DATA. Read transactions can skip any rows that are incompatibly locked by other transactions. After this value is set, all user SELECT statements are prepared with the SKIP LOCKED attribute. This option applies only when cursor stability (CS) or read stability (RS) isolation are in effect.

When CONCURRENTACCESSRESOLUTION=1, the same rules and restrictions that apply to Db2 currently committed semantics also apply to ODBC. Access to currently committed data is supported for uncommitted INSERT and DELETE operation only in Version 10 and newer. Read transactions must still wait for uncommitted UPDATE operations to complete.

CONNECTTYPE = 1 | 2

This keyword is placed in the common section.

You can use the CONNECTTYPE keyword to specify the default connection type for all connections to data sources.

1

Multiple concurrent connections, each with its own commit scope. If MULTICONTEXT=0 is specified, a new connection might not be added unless the current transaction on the current connection is on a transaction boundary (either committed or rolled back). This value is the default.

2

Coordinated connections where multiple data sources participate under the same distributed unit of work. CONNECTTYPE=2 is ignored if MULTICONTEXT=1 is specified.

CURRENTAPPENSCH = EBCDIC | UNICODE | ASCII | ccsid

This keyword is placed in the common section.

Use the CURRENTAPPENSCH keyword to specify either of the following items:

- The encoding scheme (Unicode, EBCDIC, or ASCII) that the ODBC driver uses for the following items:
 - Bound input or output host variables with the symbolic C data type SQL_C_CHAR
 - Character string arguments on a generic API call
- A CCSID value that provides the following information to the ODBC driver:
 - The same information that an encoding scheme provides. The ODBC driver derives the encoding scheme from the CCSID value.

- The default values for the statement attributes SQL_CCSID_CHAR and SQL_CCSID_GRAPHIC. The CCSID value overrides the default CCSID settings in the DSNHDECP load module for application data with the SQL_C_CHAR data type.

The suffix-W APIs, which support UCS-2 string arguments, are not affected by CURRENTAPPENSCH. ODBC assumes UCS-2 for bound input or output host variables with the symbolic C data type SQL_C_WCHAR, regardless of the value of CURRENTAPPENSCH.

Result of specifying an encoding scheme for CURRENTAPPENSCH: When CURRENTAPPENSCH is set to EBCDIC, ASCII, or UNICODE, a SET CURRENT APPLICATION ENCODING SCHEME statement is sent to the data source after a successful connect. If this keyword is not present, the driver assumes EBCDIC as the default application encoding scheme.

Result of specifying a CCSID for CURRENTAPPENSCH: When CURRENTAPPENSCH is set to a CCSID value, the CCSID value provides default values to the statement attributes SQL_CCSID_CHAR and SQL_CCSID_GRAPHIC as follows:

- If *ccsid* is an SBCS CCSID, *ccsid* is the default value for SQL_CCSID_CHAR. SQL_CCSID_DEFAULT is the default value for SQL_CCSID_GRAPHIC.
- If *ccsid* is a DBCS CCSID, *ccsid* is the default value for SQL_CCSID_GRAPHIC. SQL_CCSID_DEFAULT is the default value for SQL_CCSID_CHAR.

Specifying any of the UCS-2 CCSIDs (1200, 13488, or 17584) for *ccsid* is equivalent to specifying CURRENTAPPENSCH=UNICODE. If *ccsid* has any of those values, *ccsid* is not the default value for SQL_CCSID_GRAPHIC.

- If *ccsid* is a mixed CCSID, *ccsid* is the default value for SQL_CCSID_CHAR. The DBCS CCSID that is derived from *ccsid* is the default value for SQL_CCSID_GRAPHIC.

If *ccsid* is 1208, 1208 is the default value for SQL_CCSID_CHAR. SQL_CCSID_DEFAULT is the default value for SQL_CCSID_GRAPHIC.

If an application calls SQLSetStmtAttr() to set the values for SQL_CCSID_CHAR or SQL_CCSID_GRAPHIC, those values override the default CCSID values that are set by CURRENTAPPENSCH.

Result of not specifying CURRENTAPPENSCH or specifying an invalid value for CURRENTAPPENSCH: When CURRENTAPPENSCH is not specified or the CURRENTAPPENSCH value is invalid, the ODBC driver uses EBCDIC as the default application encoding scheme.

CURRENTFUNCTIONPATH = "'schema1', 'schema2', ..."

This keyword is placed in the data source section.

Use the CURRENTFUNCTIONPATH keyword to define the path that resolves unqualified user-defined functions, distinct types, and stored procedure references that are used in dynamic SQL statements. It contains a list of one or more schema names, which are used to set the CURRENT PATH special register. The SET CURRENT PATH SQL is used to set the value statement upon connection to the data source. Each schema name in the keyword string must be delimited with single quotation marks and separated by commas. The entire keyword string must be enclosed in double quotation marks and must not exceed 2048 characters.

The default value of the CURRENT PATH special register is:

```
"SYSIBM", "SYSFUN", "SYSPROC", X
```

X is the value of the USER special register as a delimited identifier. The schemas SYSIBM, SYSFUN, and SYSPROC do not need to be specified. If any of these schemas is not included in the current path, Db2 implicitly assumes that each schema name begins the path, in the order that is shown in the default value. The order of the schema names in the path determines the order in which the names are resolved.

Unqualified user-defined functions, distinct types, and stored procedures are searched from the list of schemas that are specified in the CURRENTFUNCTIONPATH setting in the order specified. If the

user-defined function, distinct type, or stored procedures is not found in a specified schema, the search continues in the schema specified next in the list. For example:

```
CURRENTFUNCTIONPATH=" 'USER01' , 'PAYROLL' , 'SYSIBM' , 'SYSFUN' , 'SYSPROC' "
```

This example of CURRENTFUNCTIONPATH settings searches schema "USER01", followed by schema "PAYROLL", followed by schema "SYSIBM", and so on.

Although the SQL statement CALL is a static statement, the CURRENTFUNCTIONPATH setting affects a CALL statement if the stored procedure name is specified with a host variable (making the CALL statement a pseudo-dynamic SQL statement). This is always the case for a CALL statement that is processed by Db2 ODBC.

CURRENTSQLID = *current_sqlid*

This keyword is placed in the data source section.

The CURRENTSQLID keyword is valid only for those Db2 database servers that support SET CURRENT SQLID (such as Db2 for z/OS). If this keyword is present, then a SET CURRENT SQLID statement is sent to the database server after a successful connect. Users and the application can name SQL objects without having to qualify by schema name. The value that you specify for *current_sqlid* must be no more than 128 bytes.

Do not specify this keyword if you are binding the Db2 ODBC packages with DYNAMICRULES(BIND).

CURSORHOLD = 1 | 0

This keyword is placed in the data source section.

The CURSORHOLD keyword controls the effect of a transaction completion on open cursors.

1

Cursor hold. The cursors are not destroyed when the transaction is committed. This is the default.

0

Cursor no hold. The cursors are destroyed when the transaction is committed.

Cursors are always destroyed when transactions are rolled back.

Specify zero for this keyword to improve application performance when both the following conditions are true:

- Application behavior does not depend on any information that is returned by SQLGetInfo() for SQL_CURSOR_COMMIT_BEHAVIOR or SQL_CURSOR_ROLLBACK_BEHAVIOR
- The application does not require cursors to be preserved from one transaction to the next.

The database server operates more efficiently as resources no longer need to be maintained after the end of a transaction.

DB2EXPLAIN = 0 | 1 | 2 | 3

This keyword is placed in the data source section.

The DB2EXPLAIN keyword sets the CURRENT EXPLAIN MODE special register to either YES or NO. You can specify one of the following values:

0

Sets the CURRENT EXPLAIN MODE special register to NO, which disables the EXPLAIN facility. In this case, Db2 does not capture any EXPLAIN information when explainable dynamic statements are executed. This value is the default.

1

Has the same effect as the value 0. This value is supported for Db2 family compatibility. For Db2 for Linux, UNIX, and Windows, the value 1 has a different meaning, but on Db2 for z/OS, the value 1 has the same meaning as the value 0.

2

Sets the CURRENT EXPLAIN MODE special register to YES, which enables the EXPLAIN facility. In this case, Db2 inserts EXPLAIN information into the EXPLAIN tables for explainable dynamic SQL statements.

3

Has the same effect as the value 2. This value is supported for Db2 family compatibility. For Db2 for Linux, UNIX, and Windows, the value 3 has a different meaning, but on Db2 for z/OS, the value 3 has the same meaning as the value 2.

Alternatively, you can set the CURRENT EXPLAIN MODE special register for ODBC applications by using the SQLSetConnectAttr() function with the SQL_ATTR_DB2EXPLAIN attribute or the SET CURRENT EXPLAIN MODE SQL statement.

If you want to set the CURRENT EXPLAIN MODE special register to EXPLAIN, you must use the SET CURRENT EXPLAIN MODE statement.

To get the EXPLAIN behavior that you want, you must also consider how you set the REOPT bind option.

DBNAME = *dbname*

This keyword is placed in the data source section.

The DBNAME keyword is used only for connections to Db2 for z/OS, and only if (*base*) table catalog information is requested by the application.

If many tables exist in the Db2 for z/OS subsystem, a *dbname* can be specified to reduce the time it takes for the database to process the catalog query for table information, and reduce the number of tables that are returned to the application.

The value of the *dbname* keyword maps to the DBNAME column in the Db2 for z/OS catalog tables. If no value is specified, or if views, synonyms, system tables, or aliases are also specified using TABLETYPE, only table information is restricted; views, aliases, and synonyms are not restricted with DBNAME. This keyword can be used with SCHEMALIST and TABLETYPE to further limit the number of tables for which information is returned.

DECIMALFLOATROUNDINGMODE=0 | 1 | 2 | 3 | 4 | 5 | 6

This keyword is placed in the data source section.

DECIMALFLOATROUNDINGMODE specifies the rounding mode that is used when DECFLOAT data values are manipulated. If DECIMALFLOATROUNDINGMODE is present, Db2 ODBC sends a SET CURRENT DECFLOAT ROUNDING MODE statement to the data source after a successful connect. If DECIMALFLOATROUNDINGMODE is not present, ROUND_HALF_EVEN is assumed at the data source. Possible values and the corresponding CURRENT DECFLOAT ROUNDING MODE values are:

0

ROUND_HALF_EVEN

Round to the nearest integer. If the value is equidistant from two integers, round so that the final digit is even.

1

ROUND_HALF_UP

Round to the nearest integer. If the value is equidistant from two integers, round up.

2

ROUND_DOWN

Round toward 0. This is equivalent to truncation.

3

ROUND_CEILING

Round toward positive infinity.

4

ROUND_FLOOR

Round toward negative infinity.

5

ROUND_HALF_DOWN

Round to the nearest integer. If the value is equidistant from two integers, round down.

6

ROUND_UP

Round away from zero.

DIAGTRACE = 0 | 1

This keyword is placed in the common section.

You can use the DIAGTRACE keyword to enable the Db2 ODBC diagnostic trace.

0

The Db2 ODBC diagnostic trace is not enabled. No diagnostic data is captured. This is the default.

You can enable the diagnostic trace by using the appropriate ODBC diagnostic trace command when the DIAGTRACE keyword is set to 0.

1

The Db2 ODBC diagnostic trace is enabled. Diagnostic data is recorded in the application address space. If you include a DSNAOTRC data definition statement in your job or TSO logon procedure that identifies a z/OS data set or a z/OS UNIX environment HFS file name, the trace is externalized at normal program termination. You can format the trace by using the appropriate ODBC diagnostic trace command.

DIAGTRACE_BUFFER_SIZE = *buffer size*

This keyword is placed in the common section.

The DIAGTRACE_BUFFER_SIZE keyword controls the size of the Db2 ODBC diagnostic trace buffer. This keyword is only used if a trace is started by using the DIAGTRACE keyword.

The *buffer size* value is an integer value that represents the number of bytes to allocate for the trace buffer. The buffer size is rounded down to a multiple of 65536 (64 K). If the value specified is less than 65536, 65536 is used. The default value for the trace buffer size is 65536. For 64-bit applications, specify a *buffer size* value that is up to 10% bigger than what you would specify for 31-bit applications.

If a trace is active, this keyword is ignored.

DIAGTRACE_NO_WRAP = 0 | 1

This keyword is placed in the common section.

The DIAGTRACE_NO_WRAP keyword controls the behavior of the Db2 ODBC diagnostic trace when the Db2 ODBC diagnostic trace buffer fills up. This keyword is only used if a trace is started by the DIAGTRACE keyword.

0

The trace table is a wraparound trace. In this case, the trace remains active to capture the most current trace records. This is the default.

1

The trace stops capturing records when the trace buffer fills. The trace captures the initial trace records that were written.

If a trace is active, this keyword is ignored.

DIAGTRACE_MASK = *.*.*.* | *trace_mask*

This keyword is placed in the common section.

The DIAGTRACE_MASK enables a trace mask, which limits the trace records collected by the Db2 ODBC diagnostic trace. Use this keyword only if a trace is started by the DIAGTRACE keyword.

The track mask consists of five parts that are delimited by periods.

- Types
- Products
- Components

- Functions
- Categories

Each part can consist of comma-separated lists, hyphen separated ranges, or single entries. The default setting of `DIAGTRACE_MASK=*.*.*.*.*` captures all trace records. To capture specific records, set the mask to the numbers that correspond to specific types, products, components, functions, and/or categories that you want to trace. If you want to trace all entry and exit records for component 41, set `DIAGTRACE_MASK=1,2.*.41.*.*` where 41 specifies the component, and 1 and 2 limit tracing to entry and exit records only.

The trace mask is intended for activating tracing for IBM debugging.

EXTENDEDTABLEINFO = 0 | 1

This keyword is placed in the data source section.

The `EXTENDEDTABLEINFO` keyword specifies whether information about extended table types is returned from a `SQLTables()` function call. Currently, there is one extended table type: `ACCEL-ONLY TABLE`.

Possible values are:

0

The result set that is returned by the `SQLTables()` function does not contain columns for extended table types.

Rows for extended table types are returned only if "TABLE" is explicitly specified in the `szTableType` parameter value in the `SQLTables()` call, or in the `TABLETYPE` initialization keyword, if `szTableType` is a null pointer. In this case, extended table types are listed as `TABLE` in the `TABLE_TYPE` column of the result set.

1

The result set that is returned by the `SQLTables()` function contains rows and columns for extended table types. In particular:

- The result set contains extra columns `TEMPORAL_TABLE_TYPE`, `IS_ACCELERATED`, `ACCEL_ARCHIVE_STATUS`, and `IS_ARCHIVE_ENABLED` after the columns that are always returned in the result set from `SQLTables()`. See [“SQLTables\(\) - Get table information” on page 413](#) for a description of those columns.
- Rows for extended table types are returned under the following circumstances:
 - All table types are implicitly requested by specifying a null pointer in the `szTableType` parameter of the `SQLTables()` call, and not specifying the `TABLETYPE` initialization keyword.
 - An extended table type name is explicitly specified in the `szTableType` parameter of the `SQLTables()` call, or in the `TABLETYPE` initialization keyword.

In this case, the extended table type is listed by its extended table type name in the `TABLE_TYPE` column of the result set.

FLOAT = IEEE

This keyword is placed in the common section.

Specifies the floating-point format that is used to represent floating-point data in the symbolic C data types `SQL_C_FLOAT` and `SQL_C_DOUBLE`.

IEEE

Floating-point data is represented in IEEE binary floating-point format.

If the `FLOAT` initialization keyword is not specified, floating-point data is represented in z/Architecture hexadecimal floating-point format. This is the format in which Db2 for z/OS stores floating-point numbers.

Important: after setting `FLOAT=IEEE`, you must recompile your application program with the C compiler option set to `FLOAT(IEEE)`. Failure to do so could result in data corruption.

No new ODBC symbolic SQL data types and no new ODBC symbolic C data types will be introduced. Applications can continue to indicate the SQL data type of floating-point numbers stored at the data source as SQL_FLOAT, SQL_REAL, or SQL_DOUBLE where SQL_FLOAT and SQL_REAL represent single precision floating-point and SQL_DOUBLE represents double precision floating-point. Applications can continue to use the existing C data types SQL_C_FLOAT and SQL_C_DOUBLE to indicate the data type of C buffer used to hold floating-point data.

With the new FLOAT initialization keyword, floating-point data in SQL_C_FLOAT and SQL_C_DOUBLE buffers can now be either in HFP format, or in BFP format. Internally, Db2 stores floating-point data in HFP format.

No new C-defined types will be introduced. Applications can continue to declare floating-point variables as SQLREAL or SQLDOUBLE. The base C data type for SQLREAL is float. The base C data type for SQLDOUBLE is double.

Note: when converting between different floating-point formats, rounding of values can occur.

GRANTEELIST = *userID1, userID2, ... userIDn*

This keyword is placed in the data source section.

You can use the GRANTEELIST keyword to reduce the amount of information that is returned when the application gets a list of privileges for tables, or privileges for columns in a table. The list of authorization IDs specified is used as a filter. If an application gets a list of privileges for a specific table, only the columns that have a privilege that is granted to the specified user IDs are returned.

This keyword is applicable to the APIs SQLColumnPrivileges and SQLTablePrivileges

GRANTORLIST = *userID1, userID2, ... userIDn*

This keyword is placed in the data source section.

You can use the GRANTORLIST keyword to reduce the amount of information that is returned when the application gets a list of privileges for tables, or privileges for columns in a table. The list of authorization IDs specified is used as a filter. If the application gets a list of privileges for a specific table, only those columns that have a privilege that is granted by the specified user IDs are returned.

This keyword is applicable to the APIs SQLColumnPrivileges and SQLTablePrivileges

GRAPHIC = 0 | 1 | 2 | 3

This keyword is placed in the data source section.

The GRAPHIC keyword controls whether Db2 ODBC reports IBM GRAPHIC (double-byte character support) as one of the supported data types when SQLGetTypeInfo() is called. SQLGetTypeInfo() lists the data types supported by the data source for the current connection. These are not native ODBC types but have been added to expose these types to an application connected to a Db2 family product.

0

Disabled (default)

1

Enabled

2

Report the length of graphic columns that are returned by DESCRIBE in number of bytes rather than DBCS characters. This applies to all Db2 ODBC and ODBC functions that return length or precision either on the output argument or as part of the result set.

3

Settings 1 and 2 combined; that is, GRAPHIC=3 achieves the combined effect of 1 and 2.

The default is that GRAPHIC is not returned because many applications do not recognize this data type and cannot provide proper handling.

INTERRUPT = 0 | 1 | 2

You can use the INTERRUPT keyword to specify the interrupt processing mode when SQLCancel() is called to cancel the processing on a statement.

0

Disable interrupt processing (SQLCancel() calls do not interrupt the processing.)

1

Interrupts are supported (default). In this mode, if interrupt is supported for the connection at the server, an interrupt is sent. Otherwise, the connection is dropped.

2

Interrupt drops the connection regardless of server's interrupt capabilities (SQLCancel() drops the connection.)

This keyword is applicable only to applications that have MVSATTACHTYPE=RRSAF specified in the initialization file. Only connections that are attached through the RRSAF attachment facility can be dropped.

When INTERRUPT is set to 1, Db2 ODBC always drops the connection that is associated with the statement.

KEEPDYNAMIC = 0 | 1

This keyword is placed in the data source section.

You can use the KEEPDYNAMIC keyword to specify whether the behavior of the KEEPDYNAMIC bind option is available to ODBC applications. Specify the same value that was used for the KEEPDYNAMIC bind option when ODBC packages were bound on the Db2 for z/OS data source.

0

The ODBC packages on the data source were bound with the KEEPDYNAMIC(NO) bind option. 0 is the default value.

1

The ODBC packages on the data source were bound with the KEEPDYNAMIC(YES) bind option.

LIMITEDBLOCKFETCH = 0 | 1

This keyword is placed in the data source section.

LIMITEDBLOCKFETCH specifies whether Db2 ODBC attempts to use limited block fetch when it fetches result sets from the connected data source. Limited block fetch can significantly reduce the number of trips to the Db2 server for data retrieval by grouping the rows that are retrieved by an SQL query into a block of rows in a query buffer. Limited block fetch benefits Db2 ODBC applications that retrieve large read-only result sets with forward-only cursors from a local Db2 server. LIMITEDBLOCKFETCH affects FETCH operations that are performed by the SQLFetch(), SQLExtendedFetch(), and SQLFetchScroll() functions. Possible values are:

0

Limited block fetch is not used.

1

Db2 ODBC attempts to use limited block fetch. If blocking is supported at the server for the result set that is being fetched, Db2 ODBC retrieves as many rows as it can fit in a query data block in a single fetch request. 1 is the default.

When you enable limited block fetch, you can also set the size of the query data block by setting the QUERYDATASIZE initialization parameter.

The specification of LIMITEDBLOCKFETCH=1 turns off any alternative fetch optimization that Db2 ODBC might otherwise use, such as Db2 multi-row fetch.

Db2 ODBC limited block fetch is not supported in the following cases:

- For connections to remote data sources
- For result sets other than read-only result sets
- For cursor types other than SQL_CURSOR_FORWARD_ONLY
- If any column in the result set is a file reference variable
- If the application sets the statement attribute SQL_NODESCRIBE to SQL_NODESCRIBE_ON and uses SQLSetColAttributes() to set the data source result descriptor for result set columns

If you enable limited block fetch for situations in which it is not supported, performance might be impacted. For more information, see [“ODBC limited block fetch” on page 443](#).

LITERALREPLACEMENT = 0 | 1

This keyword is placed in the data source section.

The LITERALREPLACEMENT keyword specifies whether a dynamic SQL statement that contains literals is cached with the literal constants or with replacement markers for the literal constants. The default value is 0.

0

The statement is cached with the literal constants. If the statement contains one or more constants that are different from the cached version of the same dynamic statement, the statement is cached as a unique statement entry.

1

The statement is cached with replacement markers for literal constants. Db2 can share a cache entry for dynamic statements that are identical except for the literal constants if those statements also satisfy the following criteria:

- The statements do not contain parameter markers.
- The constants in the new statement can be reused in place of the constants in the cached statement.
- The statements satisfy all other conditions for dynamic statement cache sharing.

By sharing the dynamic cache entry, Db2 does not have to fully prepare the new statement, and the application performance might improve.

This keyword is equivalent to the CONCENTRATE STATEMENTS clause of the SQL PREPARE statement.

MAXCONN = 0 | positive number

This keyword is placed in the common section.

The MAXCONN keyword is used to specify the maximum number of connections that are allowed for each Db2 ODBC application program. This can be used by an administrator as a governor for the maximum number of connections that are established by each application.

0

Can be used to represent *no limit*. That is, an application is allowed to open up as many connections as permitted by the system resources. This is the default.

positive number

Set the keyword to any positive number to specify the maximum number of connections each application can open.

This parameter limits the number of SQLConnect () statements that the application can successfully issue. In addition, if the application is executing with CONNECT (type 1) semantics, then this value specifies the number of logical connections. Only one physical connection to either the local Db2 subsystem or a remote Db2 subsystem or remote DRDA-1 or DRDA-2 server is made at one time.

MULTICONTEXT = 0 | 1

This keyword is placed in the common section.

The MULTICONTEXT keyword controls whether each connection in an application can be treated as a separate unit of work with its own commit scope that is independent of other connections.

0

The Db2 ODBC code does not create an independent *context* for a data source connection. Connection switching among multiple data sources that are governed by the CONNECTTYPE=1 rules is not allowed unless the current transaction on the current connection is on a transaction boundary (either committed or rolled back). This is the default.

Specify MULTICONTEXT=0 and MVSATTACHTYPE=RRSAF to allow an ODBC application to create and manage its own RRS contexts using the z/OS Context Services. With these services, an application can manage its own contexts outside of ODBC with each context operating as an independent unit of work.

Db2 ODBC support for external contexts is disabled if the application is running as Db2 ODBC stored procedure.

To enable global transaction processing in an application, specify AUTOCOMMIT=0, MULTICONTEXT=0, and MVSATTACHTYPE=RRSAF.

1

The Db2 ODBC code creates an independent context for a data source connection at the connection handle level when `SQLAllocHandle()` is issued. Each connection to multiple data sources is governed by `CONNECTTYPE=1` rules and is associated with an independent Db2 thread. Connection-switching among multiple data sources is not prevented due to the commit status of the transaction. An application can use multiple connection handles without having to commit or roll back on a connection before it switches to another connection handle.

`MULTICONTEXT=1` is not supported for applications that contain Db2 ODBC and embedded SQL.

The application can use `SQLGetInfo()` with *InfoType* set to `SQL_MULTIPLE_ACTIVE_TXN` to determine whether `MULTICONTEXT=1` is supported.

`MULTICONTEXT=1` is ignored if any of these conditions are true:

- The application created a Db2 thread before it invoked Db2 ODBC. This situation is always the case for a stored procedure that uses Db2 ODBC.
- The application created and switched to an RRS private context using z/OS Context Services before it invoked Db2 ODBC.
- The application started a unit of recovery with any RRS resource manager (for example, IMS) before it invoked Db2 ODBC.
- `MVSATTACHTYPE=CAF` is specified in the initialization file.

MVSATTACHTYPE = CAF | RRSAF

This keyword is placed in the subsystem section.

The `MVSATTACHTYPE` keyword is used to specify the Db2 for z/OS attachment type that Db2 ODBC uses to connect to the Db2 for z/OS address space. This parameter is ignored if the Db2 ODBC application is running as a Db2 for z/OS ODBC stored procedure. In that case, Db2 ODBC uses the attachment type that was defined for the stored procedure.

CAF

Db2 ODBC uses the Db2 for z/OS call attachment facility (CAF). CAF is the default value.

RRSAF

Db2 ODBC uses the Db2 for z/OS Resource Recovery Services attachment facility (RRSAF).

Specify `MVSATTACHTYPE=RRSAF` and `MULTICONTEXT=0` to allow an ODBC application to create and manage its own RRS contexts by using the z/OS Context Services. For more information, see [“MULTICONTEXT = 0 | 1” on page 72](#).

For transactions on a global connection, specify `AUTOCOMMIT=0`, `MULTICONTEXT=0`, and `MVSATTACHTYPE=RRSAF` to complete global transaction processing.

To enable global transaction processing in an application, specify `MVSATTACHTYPE=RRSAF`, `AUTOCOMMIT=0`, and `MULTICONTEXT=0`.

MVSDEFAULTSSID = ssid

This keyword is placed in the common section.

The `MVSDEFAULTSSID` keyword specifies the default Db2 subsystem that the application connects to when it invokes the `SQLAllocHandle()` function (with *HandleType* set to `SQL_HANDLE_ENV`). Specify the Db2 subsystem name, the subgroup attachment name, or group attachment name (if used in a data sharing group) to which connections are made. The default subsystem is 'DSN'.

OPTIMIZEFORNROWS = integer

This keyword is placed in the data source section.

The OPTIMIZEFORNROWS keyword appends the "OPTIMIZE FOR n ROWS" clause to every select statement, where n is an integer larger than 0. The default action is not to append this clause.

PARAMOPTATOMIC = 0 | 1

This keyword is placed in the data source section.

The PARAMOPTATOMIC keyword determines whether the underlying processing for multi-row inserts is done through atomic or non-atomic SQL. PARAMOPTATOMIC has the following values:

0

The underlying processing uses non-atomic SQL.

1

The underlying processing uses atomic SQL. This is the default.

PATCH2 = patch number

This keyword is placed in the data source section.

The PATCH2 keyword specifies a workaround for known problems with ODBC applications. To set multiple PATCH2 values, list the values sequentially, separated by commas. For example, if you want patches 300, 301, and 302, specify PATCH2= "300,301,302" in the initialization file. The valid values for the PATCH2 keyword are:

0

No workaround (default).

300

SQLExecute() and SQLExecDirect() returns SQL_NO_DATA_FOUND instead of SQL_SUCCESS when SQLCODE=100. In this case, a delete or update affected no rows, or the result of the subselect of an insert statement is empty.

301

SQLERROR() and SQLGetDiagRec() returns more diagnostic information when a previous call to SQLExecute(), SQLExecDirect(), SQLFetch(), SQLExtendedFetch(), or SQLFetchScroll() on the same statement handle returned SQL_NO_DATA_FOUND (SQLCODE=100).

0: No workaround (default).

300

PATCH2=300 behavior: SQLExecute() and SQLExecDirect() return SQL_NO_DATA_FOUND instead of SQL_SUCCESS when SQLCODE=100. In this case, a delete or update affected no rows, or the result of the subselect of an insert statement is empty.

The following table explains how PATCH2 settings affect return codes.

SQL statement	SQLExecute() and SQLExecDirect() return value
A searched update or searched delete and no rows satisfy the search condition	<ul style="list-style-type: none">SQL_SUCCESS without a patch (PATCH2=0)SQL_NO_DATA_FOUND with a patch (PATCH2=300)
A mass delete or update and no rows satisfy the search condition	<ul style="list-style-type: none">SQL_SUCCESS_WITH_INFO without a patch (PATCH2=0)SQL_NO_DATA_FOUND with a patch (PATCH2=300)
A mass delete or update and one or more rows satisfy the search condition	SQL_SUCCESS_WITH_INFO without a patch (PATCH2=0) or with a patch (PATCH2=300)

In ODBC 3.0, applications do not need to set the patch on. ODBC 3.0 behavior is equivalent to setting PATCH2=300.

PLANNAME = planname

This keyword is placed in the subsystem section.

The PLANNAME keyword specifies the name of the Db2 for z/OS PLAN that was created during installation. A PLAN name is required when initializing the application connection to the Db2 for z/OS subsystem, which occurs during the processing of the `SQLAllocHandle()` call (with *HandleType* set to `SQL_HANDLE_ENV`).

If no PLANNAME is specified, the default value DSNACLI is used.

QUERYDATASIZE = *integer*

This keyword is placed in the data source section.

QUERYDATASIZE specifies the amount of query data, in bytes, that Db2 returns on each FETCH operation when limited block fetch is enabled. The QUERYDATASIZE value can be used to optimize limited block fetch. It controls the number of trips to the data source that are required to retrieve data.

Using a larger value for QUERYDATASIZE can result in better performance. For example, if the result set size is 50 KB, and the value of QUERYDATASIZE is 32767 (32 KB), two trips to the data source are required to retrieve the result set. However, if QUERYDATASIZE is 65535 (62 KB), only one trip to the data source is required to retrieve the result set.

integer

One of the following QUERYDATASIZE values:

QUERYDATASIZE values	QUERYDATASIZE values	QUERYDATASIZE values	QUERYDATASIZE values
32767	294911	557055	819199
65535	327679	589823	851967
98303	360447	622591	884735
131071	393215	655359	917503
163839	425983	688127	950271
196607	458751	720895	983039
229375	491519	753663	1015807
262143	524287	786431	1048575

The default is 32767.

If you specify a value that is not a valid value, Db2 ODBC sets QUERYDATASIZE to the nearest valid value.

RETURNALIASES = 0 | 1

This keyword is placed in the data source section.

The RETURNALIASES keyword specifies whether aliases are included when you qualify rows for metadata procedures. If you exclude aliases and do not qualify them, you avoid costly joins with the base tables and improve performance.

0

Aliases are not considered when rows are qualified for metadata procedures

1

Aliases are considered when rows are qualified for metadata procedures

This keyword affects the following ODBC APIs.

- `SQLColumns()`
- `SQLColumnPrivileges()`
- `SQLTables()`
- `SQLTablePrivileges()`
- `SQLStatistics()`
- `SQLSpecialColumns()`

- SQLForeignKeys()
- SQLPrimaryKeys()

RETCATALOGASCURRSERVER = 0 | 1

This keyword is placed in the data source section.

You can use the RETCATALOGASCURRSERVER keyword to instruct the DBMS to return the CURRENT SERVER value instead of the null value for catalog columns.

0

Catalog functions return the null value for the catalog columns.

1

Catalog functions return the CURRENT SERVER value, instead of the null value, for the catalog columns.

This keyword affects the following ODBC APIs.

- SQLColumns()
- SQLColumnPrivileges()
- SQLTables()
- SQLTablePrivileges()
- SQLStatistics()
- SQLSpecialColumns()
- SQLForeignKeys()
- SQLPrimaryKeys()
- SQLProcedures()
- SQLProcedureColumns()

RETURNSYNONYMSHEMA = 0 | 1

This keyword is placed in the data source section.

The RETURNSYNONYMSHEMA controls whether the catalog APIs report the schema name for synonyms in the TABLE_SCHEM columns.

0

Catalog functions return NULL for the schema columns.

1

Catalog functions return the creator of the synonym for the schema columns.

This keyword affects the following ODBC APIs.

- SQLColumns()
- SQLColumnPrivileges()
- SQLTables()
- SQLTablePrivileges()
- SQLStatistics()
- SQLSpecialColumns()
- SQLForeignKeys()
- SQLPrimaryKeys()

SCHEMALIST = "*schema1*, '*schema2*' ,..."

This keyword is placed in the data source section.

The SCHEMALIST keyword specifies a list of schemas in the data source.

If a database contains many tables, you can specify a schema list to reduce the time it takes for the application to query table information and the number of tables that are listed by the application.

Each schema name is case-sensitive, must be delimited with single quotation marks and separated by commas. The entire string must also be enclosed in double quotation marks, for example:

```
SCHEMALIST=" 'USER1' , 'USER2' ,USER3 ' "
```

For Db2 for z/OS ODBC, CURRENT SQLID can also be included in this list, but without the single quotation marks, for example:

```
SCHEMALIST=" 'USER1' ,CURRENT SQLID, 'USER3' "
```

The maximum length of the keyword string is 2048 bytes.

This keyword can be used with DBNAME and TABLETYPE to further limit the number of tables for which information is returned.

SCHEMALIST is used to provide a more restrictive default in the case of those applications that always give a list of every table in the database server. This improves performance of the table list retrieval in cases where the user is only interested in seeing the tables in a few schemas.

SESSIONTIMEZONE = ±hh:mm

This keyword is placed in the data source section.

When a datetime value that does not have a time zone is assigned to a `TIMESTAMP WITH TIME ZONE` column or an `SQL_C_TYPE_TIMESTAMP_EXT_TZ` variable, ODBC applications can utilize the `CLIENTTIMEZONE` and `SESSIONTIMEZONE` initialization keywords to determine the time zone to associate with the datetime value.

The `SESSIONTIMEZONE` keyword sets the `SESSION TIME ZONE` special register. The keyword value is in the format of `±hh:mm`.

hh

Represents the time zone hour offset between -12 and +14

mm

Represents the time zone minute offset between 0 and 59, with values ranging from -12:59 and +14:00

For this keyword value to take effect, the setting for `IMPLICIT_TIMEZONE` in the `DSNHDECP` load module must be set to `SESSION`.

Alternatively, the `SESSION TIME ZONE` special register can be set using the `SQLSetConnecAttr()` with the `SQL_ATTR_SESSION_TIME_ZONE` connection attribute.

STREAMBUFFERSIZE

This keyword is placed in the data source section.

`STREAMBUFFERSIZE` is valid only when limited block fetch is enabled (`LIMITEDBLOCKFETCH = 1`). `STREAMBUFFERSIZE` specifies the threshold value, in bytes, that is used to determine whether LOB or XML data is returned in its entirety as inline data or as an internal token called a progressive reference:

- If the size of a LOB or XML object is less than or equal to the `STREAMBUFFERSIZE` value, the data value is returned inline as part of the row in the query block. The data value is cached on the ODBC driver for subsequent processing.
- If the size of a LOB or XML objects is greater than `STREAMBUFFERSIZE`, the data value is returned as a progressive reference.

The default value for `STREAMBUFFERSIZE` is 1,048,576 bytes, which is 1 MB.

SYSSCHEMA = *sys schema*

This keyword is placed in the data source section. The value that you specify for *sys schema* must be no longer than 128 bytes.

The `SYSSCHEMA` keyword indicates an alternative schema to be searched in place of the `SYSIBM` (or `SYSTEM`, `QSYS2`) schemas when the Db2 ODBC and ODBC catalog function calls are issued to obtain catalog information.

Using this schema name, the system administrator can define a set of views consisting of a subset of the rows for each of the following Db2 catalog tables:

- SYSCOLAUTH
- SYSCOLUMNS
- SYSDATABASE
- SYSFOREIGNKEYS
- SYSINDEXES
- SYSKEYS
- SYSPARMS
- SYSRELS
- SYSROUTINES
- SYSSYNONYMS
- SYSTABAUTH
- SYSTABLES

For example, if the set of views for the catalog tables are in the ACME schema, the view for SYSIBM.SYSTABLES is ACME.SYSTABLES, and SYSSHEMA should then be set to ACME.

Defining and using limited views of the catalog tables reduces the number of tables listed by the application, which reduces the time it takes for the application to query table information.

If no value is specified, the following default values are used:

- SYSIBM on Db2 for z/OS
- SYSTEM on Db2 server for VSE and VM
- QSYS2 on Db2 for i

This keyword can be used with SCHEMALIST, TABLETYPE (and DBNAME on Db2 for z/OS) to further limit the number of tables for which information is returned.

TABLETYPE=" 'TABLE' | 'ALIAS' | 'VIEW' | , 'SYSTEM TABLE' | 'SYNONYM' | 'GLOBAL TEMPORARY TABLE' | , 'AUXILIARY TABLE' | , 'MATERIALIZED QUERY TABLE' | , 'ACCEL-ONLY TABLE' "

This keyword is placed in the data source section.

The TABLETYPE keyword specifies a list of one or more table types. If many tables are defined in the data source, you can specify a table type string to reduce the time it takes for the application to query table information and the number of tables the application lists.

Any number of the values can be specified, but each type must be delimited with single quotation marks, separated by commas, and in uppercase. The entire string must also be enclosed in double quotation marks, for example:

```
TABLETYPE=" 'TABLE' , 'VIEW' "
```

This keyword can be used with DBNAME and SCHEMALIST to further limit the number of tables for which information is returned.

TABLETYPE is used to provide a default for the `SQLTables()` call, which retrieves a list of table names and associated information in a data source. If the application does not specify a table type on the function call, and this keyword is not used, information about all table types is returned. If the application supplies a value for the `szTableType` argument on the function call, that argument value overrides this keyword value.

If TABLETYPE includes any value other than TABLE, the DBNAME keyword setting cannot be used to restrict information to a particular Db2 for z/OS subsystem.

'ACCEL-ONLY TABLE' is an extended table type name. Extended table type names are returned in the result set of an `SQLTables()` call only if the EXTENDEDTABLETYPE initialization parameter is set to 1.

THREADSAFE= 1 | 0

This keyword is placed in the common section.

The THREADSAFE keyword controls whether Db2 ODBC uses *POSIX mutexes* to make the Db2 ODBC code *threadsafe* for multiple concurrent or parallel Language Environment threads.

1

The Db2 ODBC code is threadsafe if the application is executing in a POSIX(ON) environment. Multiple Language Environment threads in the process can use Db2 ODBC. The threadsafe capability cannot be provided in a POSIX(OFF) environment. 1 is the default value.

0

The Db2 ODBC code is not threadsafe. This setting reduces the cost of serialization code in Db2 ODBC for applications that are not *multithreaded*, but provides no protection for concurrent Language Environment threads in applications that are multithreaded.

TRACEPIDTID = 0 | 1

This keyword is placed in the common section.

TRACEPIDTID is used only if a trace is started through the APPLTRACE keyword. When TRACEPIDTID is set to 1, the process ID and thread ID are added to the beginning of each line in the trace output. These IDs help you to differentiate the recorded information by process and thread when the Db2 ODBC application is running multiple concurrent Language Environment threads in a POSIX(ON) environment.

TRACEXTOKEN = 0 | 1

This keyword is placed in the common section.

TRACEXTOKEN is used only if a trace is started through the APPLTRACE keyword. When TRACEXTOKEN is set to 1, the RRS context tokens are captured in the trace output. RRS context tokens help you to determine the execution path for applications that execute under different RRS contexts.

This keyword is applicable only to applications that create and manage their own RRS contexts with the z/OS Resource Recovery Services with keywords MVSATTACHTYPE=RRSAF and MULTICONTEXT=0 specified in the initialization file.

TRACESTAMP = 0 | 3

This keyword is placed in the common section.

TRACESTAMP is used only if a trace is started through the APPLTRACE keyword. When APPLTRACE is set to 1, the TRACESTAMP keyword is used to capture different types of time stamp information in the Db2 ODBC application trace.

0

No time stamp information is written to the trace output.

3

An ISO time stamp is added to the beginning of each line in the trace output.

TXNISOLATION = 1 | 2 | 4 | 8 | 32

This keyword is placed in the data source section.

The TXNISOLATION keyword sets the isolation level to one of the following values:

1

Read uncommitted (uncommitted read)

2

Read committed (cursor stability) (default)

4

Repeatable read (read stability)

8

Serializable (repeatable read)

32

(No commit, Db2 for i only)

The words in round brackets are the Db2 equivalents for SQL92 isolation levels. "no commit" is not an SQL92 isolation level and is supported only on Db2 for i.

UNDERSCORE = 1 | 0

This keyword is placed in the data source section.

Specifies whether the underscore character (`_`) is to be used as a wildcard character (matching any one character, including no character), or to be used as itself. This parameter affects only catalog function calls that accept search pattern strings. You can set the UNDERSCORE keyword to the following values:

1

The underscore character (`_`) acts as a wildcard (default). The underscore is treated as a wildcard that matches any one character or none. For example, two tables are defined as follows:

```
CREATE TABLE "OWNER"."KEY_WORDS" (COL1 INT)
CREATE TABLE "OWNER"."KEYWORDS" (COL1 INT)
```

In the previous example above, `SQLTables()` (the Db2 ODBC catalog function call that returns table information) returns both the "KEY_WORDS" and "KEYWORDS" entries if "KEY_WORDS" is specified in the table name search pattern argument.

0

The underscore character (`_`) acts as itself. The underscore is treated literally as an underscore character. If two tables are defined as shown in the previous example, `SQLTables()` returns only the "KEY_WORDS" entry if "KEY_WORDS" is specified in the table name search pattern argument. Setting this keyword to 0 can result in performance improvement in those cases where object names (owner, table, column) in the data source contain underscores.

Related concepts

[Structure of the initialization file](#)

The initialization file consists of three types of section: common section, subsystem section, and data source sections.

[Multithreaded and multiple-context applications in Db2 ODBC](#)

Db2 ODBC supports multi-threading and multiple contexts. You need to follow certain guidelines when using multiple contexts and multi-threading together in an application.

[Global transactions in ODBC programs](#)

A *global transaction* is a recoverable unit of work, or transaction, that is made up of changes to a collection of resources. You include global transactions in your application to access multiple recoverable resources in the context of a single transaction.

[Impact of package bind options](#)

When you bind ODBC packages, you must specify certain values for several bind options. You should also consider specific ODBC recommendations for several other bind options.

[ODBC trace types](#)

Db2 ODBC provides two traces that differ in purpose: an application trace for debugging user applications, and a service trace for problem diagnosis.

[Conditions for statement sharing \(Db2 Performance\)](#)

Related tasks

[Accessing currently committed data to avoid lock contention \(Db2 Performance\)](#)

[Improving concurrency for applications that tolerate incomplete results \(Db2 Performance\)](#)

Related reference

[PREPARE \(Db2 SQL\)](#)

[optimize-clause \(Db2 SQL\)](#)

Database metadata stored procedures

When you install the ODBC drivers, you need to enable the metadata stored procedures.

The database metadata stored procedures must exist on every Db2 for z/OS data server to which your Db2 ODBC application connects. Db2 ODBC uses the database metadata stored procedures to retrieve catalog information and to implement the `SQLGetTypeInfo()` function. The database metadata stored procedures are installed as part of the Db2 for z/OS installation process.

Related tasks

[Installation step 22: Set up Db2-supplied routines \(Db2 Installation and Migration\)](#)

Related reference

[Database metadata routines panel: DSNTIPRK \(Db2 Installation and Migration\)](#)

Migrating to the Db2 12 ODBC driver

When you migrate the ODBC driver for Db2 for z/OS from the Db2 11 driver to the Db2 12 driver, you must set up the Db2 12 ODBC run time environment.

About this task

You must bind the Db2 12 ODBC DBRMs to each data source you want to migrate to the Db2 12 ODBC driver.

The online bind sample is available in `DSN1210.SDSNSAMP(DSNTIJCL)`. You can use this bind sample as a guide for binding DBRMs to packages and binding an application plan.

Procedure

To migrate to the Db2 12 ODBC driver:

1. Bind the DBRMs in `DSNC10.SDSNDBRM` to all data sources to which your ODBC applications connect. You must specify `ENCODING(EBCDIC)` when you bind the ODBC DBRMs to the local Db2 for z/OS subsystem.
2. Create at least one Db2 plan. Use the `PKLIST` keyword to specify all the packages that you create from the DBRMs

Specify an appropriate `ACTION` parameter in the `BIND PLAN` statement:

- If the plan does not exist, specify `ACTION(ADD)`.
If you specify `ACTION(ADD)`, and the plan exists, the `BIND` command fails, and Db2 does not create a plan.
- If the plan exists, and you want to retain the `EXECUTE` privilege on the plan for all users who already have that privilege, specify `ACTION(REPLACE) RETAIN`.
- If the plan exists, and you want to revoke the `EXECUTE` privilege for everyone except the plan owner, specify `ACTION(REPLACE)`. This is the default.

Related concepts

[Impact of package bind options](#)

When you bind ODBC packages, you must specify certain values for several bind options. You should also consider specific ODBC recommendations for several other bind options.

[Db2 ODBC run time environment setup](#)

The steps in setting up the Db2 ODBC run time environment must be performed once. These steps are performed as part of the installation process for Db2 for z/OS.

Related tasks

[Binding DBRMs to create packages](#)

You can bind database request modules (DBRMs) to create packages that use different isolation levels or default options.

[Binding the application plan](#)

When you bind the Db2 ODBC application plan, use the online bind sample, DSN1210.SDSNSAMP (DSNTIJCL), for guidance.

Related information

[-130 \(Db2 Codes\)](#)

[-189 \(Db2 Codes\)](#)

[-805 \(Db2 Codes\)](#)

Migrating an ODBC 31-bit application to a 64-bit application

Consider migrating an application from 31-bit mode to 64-bit mode only if the application can take advantage of more than 2 GB of memory. Most applications run acceptably with the 31-bit addressing limitations.

About this task

Applications that are most likely to benefit from 64-bit addressing are those that work with large amounts of data. For example, applications that work with large data sets can preload data into direct addressable memory for rapid access. Similarly, applications that work with large databases can cache more data in memory, which reduces the number of database requests.

Although 64-bit mode provides larger addressable storage, the amount of data that can be sent to and retrieved from Db2 by an ODBC application is still limited by the amount of storage that is available below the 2-GB bar. For example, an application cannot declare a 2-GB LOB above the bar and insert the entire LOB value into a Db2 LOB column.

Procedure

To migrate an ODBC 31-bit application to a 64-bit application:

1. Modify your application as follows:

- If your application calls the `SQLSetConnectOption` function, change the application to use the `SQLSetConnectAttr` function instead. `SQLSetConnectOption` is not supported in the ODBC 64-bit driver.
- If your application calls the `SQLSetStmtOption` function, change the application to use the `SQLSetStmtAttr` function instead. `SQLSetStmtOption` is not supported in the ODBC 64-bit driver.
- Use the C-defined types `SQLINTEGER` and `SQLUINTEGER` to declare all Db2 ODBC variables and arguments that contain 32-bit integer values.

Recommendation: If your application calls any ODBC functions that have arguments of type `SQLINTEGER` or `SQLUINTEGER`, change those function calls to pass and receive values of type `SQLLEN` instead of `SQLINTEGER` and type `SQLULEN` instead of `SQLUINTEGER`.

2. Recompile the application with the `LP64` compile option. If you want the compiler to identify any potential portability errors, also specify the `WARN64` compile option.
3. Link-edit the application with the definition sidedeck for the z/OS ODBC 64-bit driver, `DSN1210.SDSNMACS(DSNAO64C)`.
4. Execute the application.

Related tasks

[Preparing and executing an ODBC application](#)

You must compile, prelink, and link-edit an ODBC application before you can run it. Db2 ODBC provides sample programs to help you with program preparation.

Example 64-bit ODBC application

Applications that deal with large amounts of data are good candidates for 64-bit addressing.

The following example shows a 64-bit application that inserts a row into a table by binding two application variables to INTEGER and CHAR(10) parameter markers and then uses SQLFetch() to retrieve the row data from bound columns of the result set. The DSNTJ8E sample in the SDSNSAMP library shows the JCL for compiling, binding, and executing a 64-bit ODBC application.

```
/* Declare local variables. When compiled in LP64 mode, variables are
   allocated in stack storage above the 2G line */
SQLINTEGER      H1INT;
SQLCHAR         H1CHAR[10];
SQLINTEGER      H2INT;
SQLCHAR         H2CHAR[10];

SQLLEN          LEN_H1INT;
SQLLEN          LEN_H1CHAR;
SQLLEN          LEN_H2INT;
SQLLEN          LEN_H2CHAR;

strcpy( (char *)sqlstmt, "INSERT INTO MYTABLE (INT4, CHAR10) VALUES( ?, ? )" );
rc = SQLPrepare( hstmt, sqlstmt, SQL_NTS );
if( rc != SQL_SUCCESS ) goto dberror;
/* Bind to DB2 INTEGER with data located above the 2G line*/
rc = SQLBindParameter( (SQLHSTMT) hstmt,
                      (SQLSMALLINT) 1,
                      (SQLSMALLINT) SQL_PARAM_INPUT,
                      (SQLSMALLINT) SQL_C_LONG,
                      (SQLSMALLINT) SQL_INTEGER,
                      (SQLULEN) 0,
                      (SQLSMALLINT) 0,
                      (SQLPOINTER) &H1INT,
                      (SQLLEN) sizeof(H1INT),
                      (SQLLEN *) &LEN_H1INT );
if( rc != SQL_SUCCESS ) goto dberror;
/* Bind to DB2 CHAR(10) with data located above the 2G line*/
rc = SQLBindParameter( (SQLHSTMT) hstmt,
                      (SQLSMALLINT) 2,
                      (SQLSMALLINT) SQL_PARAM_INPUT,
                      (SQLSMALLINT) SQL_C_CHAR,
                      (SQLSMALLINT) SQL_CHAR,
                      (SQLULEN) 10,
                      (SQLSMALLINT) 0,
                      (SQLPOINTER) H1CHAR,
                      (SQLLEN) sizeof(H1CHAR),
                      (SQLLEN *) &LEN_H1CHAR );
if( rc != SQL_SUCCESS ) goto dberror;
rc = SQLExecute( hstmt );
if( rc != SQL_SUCCESS ) goto dberror;
.
.
.
strcpy( (char *)sqlstmt, "SELECT INT4, CHAR10 FROM MYTABLE" );
rc = SQLPrepare( hstmt, sqlstmt, SQL_NTS );
if( rc != SQL_SUCCESS ) goto dberror;
rc = SQLExecute( hstmt );
if( rc != SQL_SUCCESS ) goto dberror;
/* Bind DB2 INTEGER column */
rc = SQLBindCol( (SQLHSTMT) hstmt,
                (SQLSMALLINT) 1,
                (SQLSMALLINT) SQL_C_LONG,
                (SQLPOINTER) &H2INT,
                (SQLLEN) sizeof(H2INT),
                (SQLLEN *) &LEN_H2INT );
if( rc != SQL_SUCCESS ) goto dberror;
/* Bind DB2 CHAR(10) column */
rc = SQLBindCol( (SQLHSTMT) hstmt,
                (SQLSMALLINT) 2,
                (SQLSMALLINT) SQL_C_CHAR,
                (SQLPOINTER) H2CHAR,
                (SQLLEN) sizeof(H2CHAR),
                (SQLLEN *) &LEN_H2CHAR );
if( rc != SQL_SUCCESS ) goto dberror;
/* Fetch data into storage above the 2G line */
```

```
rc = SQLFetch( hstmt );  
.  
.  
.  
dberror:  
  rc = SQL_ERROR;  
  return(rc);
```

Chapter 4. ODBC functions

Db2 ODBC provides various SQL-related functions with unique purposes, diagnostics, and restrictions.

About these topics

These topics might contain any of the following sections, in addition to other sections. Certain sections are omitted for deprecated functions.

Purpose

Contains a table that indicates the specifications and standards to which the function conforms.

The first column indicates whether the function is included in the ODBC specification and identifies the first ODBC version (1.0, 2.0, or 3.0) that includes the specification for the function. The second column indicates whether the function is included in the X/Open CLI CAE specification, and the third column indicates if the function is included in the ISO CLI standard. The following table is an example of the specifications table for an ODBC 3.0 function that is included in both the X/Open CLI CAE specification and the ISO CLI standard.

ODBC	X/OPEN CLI	ISO CLI
3.0	Yes	Yes

Syntax

Contains a generic C language prototype for the function.

All function arguments that are pointers are defined using the FAR macro. This macro is defined out (set to a blank). This is consistent with the ODBC specification.

Function arguments

Lists each function argument, along with its data type, a description and a indication of whether it is an input or output argument.

Only `SQLGetInfo()` and `SQLBindParameter()` use parameters for both input and output.

Some functions use input or output arguments that are known as *deferred* or *bound* arguments. These arguments are pointers to buffers that you allocate in your application and associate with (or bind to) either a parameter in an SQL statement or a column in a result set. Db2 ODBC accesses these buffers when you execute the SQL statement or retrieve the result set to which the deferred arguments are bound.

Important: For input arguments, ensure that deferred data areas contain valid data when you execute a statement that requires these values. For output arguments, ensure that deferred data areas remain allocated until you finish retrieving results.

Return codes

Lists all the possible function return codes. When `SQL_ERROR` or `SQL_SUCCESS_WITH_INFO` is returned, you can obtain error information by calling `SQLGetDiagRec()`

Diagnostics

Contains `SQLSTATE`s that are explicitly returned by Db2 ODBC and indicates the cause of the error. (Db2 ODBC can also return `SQLSTATE`s that the database management system generates.)

To obtain these `SQLSTATE` values, call `SQLGetDiagRec()` on a function that returns `SQL_ERROR` or `SQL_SUCCESS_WITH_INFO`.

Related concepts

[Diagnostics](#)

Diagnostics deal with warning or error conditions that are generated within an application.

[The Db2 ODBC run time environment](#)

Db2 ODBC support is implemented as an IBM C/C++ Dynamic Load Library (DLL). All API calls are routed through the single ODBC driver that is loaded at run time into the application address space.

Related reference

[Deprecated ODBC functions](#)

Db2 ODBC supports the ODBC 3.0 standard and all deprecated functions. Use the function replacements where applicable to optimize performance.

Related information

[Microsoft open database connectivity \(ODBC\)](#)

Status of support for ODBC functions

Each function has its own ODBC 3.0 conformance level, and Db2 ODBC support level, and certain functions are deprecated.

Each of the following tables provides a list of functions that support a particular task. The tables indicate the level of Db2 ODBC support and Microsoft ODBC 3.0 conformance level for each function.

The table contains the following values, by column:

ODBC 3.0 level

The values of this column have the following meanings:

No

Indicates that the function is not supported by ODBC 3.0.

Deprecated

Indicates that the function is supported but deprecated in ODBC 3.0.

Core

Indicates that the function is part of the ODBC 3.0 Core conformance level.

Level 1

Indicates that the function is part of the ODBC 3.0 Level 1 conformance level.

Level 2

Indicates that the function is part of the ODBC 3.0 Level 2 conformance level.

Db2 ODBC support

The values of this column have the following meanings:

No

Indicates that the function is not supported by Db2 ODBC.

Deprecated

Indicates that the function is supported but deprecated in Db2 ODBC.

Current

Indicates that the function is current for Db2 ODBC. A current function is supported by Db2 ODBC and is not deprecated by another Db2 ODBC function.

Connecting to a data source

Table 11. Functions for connecting to a data source

Function name	ODBC 3.0 level	Db2 ODBC support	Purpose
SQLAllocConnect()	Deprecated	Deprecated	Obtains a connection handle.
SQLAllocEnv()	Deprecated	Deprecated	Obtains an environment handle. One environment handle is used for one or more connections.
SQLAllocHandle()	Core	Current	Obtains a handle.

Table 11. Functions for connecting to a data source (continued)

Function name	ODBC 3.0 level	Db2 ODBC support	Purpose
SQLBrowseConnect()	Level 1	No	Returns successive levels of connection attributes and valid attribute values. When a value is specified for each connection attribute, this function connects to the data source.
SQLConnect()	Core	Current	Connects to a specific driver by data source name, user ID, and password.
SQLDriverConnect()	Core	Current	Connects to a specific driver with a connection string. IBM specific: This function is also extended with the additional IBM keywords that are supported in the ODBC.INI file in the Db2 for Linux, UNIX, and Windows CLI environment. Within the Db2 for z/OS ODBC environment, the ODBC.INI file has no equivalent.
SQLSetConnection()	No	Current	Connects to a specific data source by connection string.

Obtaining information about a driver and data source

Table 12. Functions for obtaining information about a driver and data source

Function name	ODBC 3.0 level	Status in Db2 ODBC	Purpose
SQLDataSources()	Core	Current	Returns the list of available data sources.
SQLDrivers()	Core	No	Returns the list of installed drivers and their attributes (ODBC 2.0). This function is implemented within the ODBC driver manager and is therefore not applicable within the Db2 for z/OS ODBC environment.
SQLGetFunctions()	Core	Current	Returns supported driver functions.
SQLGetInfo()	Core	Current	Returns information about a specific driver and data source.
SQLGetTypeInfo()	Core	Current	Returns information about supported data types.

Setting and retrieving driver attributes

Table 13. Functions for setting and retrieving driver attributes

Function name	ODBC 3.0 level	Db2 ODBC support	Purpose
SQLGetConnectAttr()	Core	Current	Returns the value of a connection attribute.
SQLGetConnectOption()	Deprecated	Deprecated	Returns the value of a connection attribute.
SQLGetEnvAttr()	Core	Current	Returns the value of an environment attribute.
SQLGetStmtAttr()	Core	Current	Returns the value of a statement attribute.

Table 13. Functions for setting and retrieving driver attributes (continued)

Function name	ODBC 3.0 level	Db2 ODBC support	Purpose
SQLGetStmtOption()	Deprecated	Deprecated	Returns the value of a statement attribute.
SQLSetConnectAttr()	Core	Current	Sets a connection attribute.
SQLSetConnectOption()	Deprecated	Deprecated	Sets a connection attribute.
SQLSetEnvAttr()	Core	Current	Sets an environment attribute.
SQLSetStmtAttr()	Core	Current	Sets a statement attribute.
SQLSetStmtOption()	Deprecated	Deprecated	Sets a statement attribute.

Setting and retrieving descriptor fields

Table 14. Functions for setting and retrieving descriptor fields

Function name	ODBC 3.0 level	Db2 ODBC support	Purpose
SQLCopyDesc()	Core	No	Copies descriptor fields.
SQLGetDescField()	Core	No	Returns the value or current setting of a single descriptor field.
SQLGetDescRec()	Core	No	Returns the values or current settings of multiple descriptor fields.
SQLSetDescField()	Core	No	Sets the value or setting for a single descriptor field.
SQLSetDescRec()	Core	No	Sets the values or settings for multiple descriptor fields.

Preparing SQL requests

Table 15. Functions for preparing SQL requests

Function name	ODBC 3.0 level	Db2 ODBC support	Purpose
SQLAllocStmt()	Deprecated	Deprecated	Allocates a statement handle.
SQLBindFileToParam()	No	Current	Associates a parameter marker in an SQL statement with a file reference or an array of file references.
SQLBindParameter()	Core	Current	Assigns storage for a parameter in an SQL statement (ODBC 2.0).
SQLGetCursorName()	Core	Current	Returns the cursor name that is associated with a statement handle.
SQLParamOptions()	Deprecated	Current	Specifies the use of multiple values for parameters. In ODBC 3.0, SQLSetStmtAttr() replaces this function.
SQLPrepare()	Core	Current	Prepares an SQL statement for subsequent execution.
SQLSetCursorName()	Core	Current	Specifies a cursor name.

Table 15. Functions for preparing SQL requests (continued)

Function name	ODBC 3.0 level	Db2 ODBC support	Purpose
SQLSetParam()	Deprecated	Deprecated	Assigns storage for a parameter in an SQL statement (ODBC 2.0). In ODBC 3.0, SQLBindParameter() replaces this function.
SQLSetScrollOptions()	Deprecated	No	Sets attributes that control cursor behavior. In ODBC 3.0, SQLGetInfo() and SQLSetStmtAttr() replace this function.

Submitting requests

Table 16. Functions for submitting requests

Function name	ODBC 3.0 level	Db2 ODBC support	Purpose
SQLDescribeParam() ¹	Core	Current	Returns the description for a specific input parameter in a statement.
SQLExecDirect()	Core	Current	Executes a statement.
SQLExecute()	Core	Current	Executes a prepared statement.
SQLNativeSql()	Core	Current	Returns the text of an SQL statement as translated by the driver.
SQLNumParams()	Core	Current	Returns the number of parameters in a statement.
SQLParamData()	Core	Current	Used with SQLPutData(). Supplies parameter data at execution time. (Useful for long data values.)
SQLPutData()	Core	Current	Sends part or all of a data value for a parameter. (This function is useful for long data values.)

Retrieving results and information about results

Table 17. Functions for retrieving results and information about results

Function name	ODBC 3.0 level	Db2 ODBC support	Purpose
SQLBindCol()	Core	Current	Assigns storage for a result column and specifies the data type.
SQLBindFileToCol()	No	Current	Associates a LOB column in a result set to a file reference or an array of file references.
SQLBulkOperations()	Level 1	Current	Performs bulk inserts operations.
SQLColAttribute()	Core	Current	Describes attributes of a column in the result set.
SQLColAttributes()	Deprecated	Deprecated	Describes attributes of a column in the result set.
SQLDescribeCol()	Core	Current	Describes a column in the result set.
SQLERROR()	Deprecated	Deprecated	Returns additional error or status information.

Table 17. Functions for retrieving results and information about results (continued)

Function name	ODBC 3.0 level	Db2 ODBC support	Purpose
SQLExtendedFetch()	Deprecated	Current	Returns multiple result rows.
SQLFetch()	Core	Current	Returns a result row.
SQLFetchScroll()	Core	Current	Returns row sets that are specified by absolute or relative position.
SQLGetData()	Core	Current	Returns part or all of one column of one row of a result set. (This function is useful for long data values.)
SQLGetDiagRec()	Core	Current	Returns additional diagnostic information.
SQLGetSQLCA()	No	Current	Returns the SQLCA that is associated with a statement handle.
SQLMoreResults()	Level 1	Current	Determines whether more result sets are available and, if so, initializes processing for the next result set.
SQLNumResultCols()	Core	Current	Returns the number of columns in the result set.
SQLRowCount()	Core	Current	Returns the number of rows that are affected by an insert, update, delete, or merge request.
SQLSetColAttributes()	No	Current	Sets attributes of a column in the result set.
SQLSetPos()	Level 1	Current	Allows an application to refresh, update, delete, and insert rows in the rowset

Handling large objects

Table 18. Functions for handling large objects

Function name	ODBC 3.0 level	Db2 ODBC support	Purpose
SQLGetLength()	No	Current	Gets the length, in bytes, of a string that is referenced by a LOB locator.
SQLGetPosition()	No	Current	Gets the position of a string within a source string that is referenced by a LOB locator.
SQLGetSubString()	No	Current	Creates a new LOB locator that references a substring within a source string. (The source string is also represented by a LOB locator.)

Obtaining information from the catalog

Table 19. Functions for obtaining catalog information

Function name	ODBC 3.0 level	Db2 ODBC support	Purpose
SQLColumnPrivileges()	Level 2	Current	Returns a list of columns and associated privileges for a table.

Table 19. Functions for obtaining catalog information (continued)

Function name	ODBC 3.0 level	Db2 ODBC support	Purpose
SQLColumns()	Core	Current	Returns the list of column names in specified tables.
SQLForeignKeys()	Level 2	Current	Returns a list of column names that comprise foreign keys, if they exist, for a specified table.
SQLPrimaryKeys()	Level 1	Current	Returns the list of column names that comprise the primary key for a table.
SQLProcedureColumns()	Level 1	Current	Returns the list of input and output parameters, as well as the columns that make up the result set for the specified procedures.
SQLProcedures()	Level 1	Current	Returns the list of procedure names that are stored in a specific data source.
SQLSpecialColumns()	Core	Current	Returns information about the optimal set of columns that uniquely identifies a row in a specified table, or identifies the columns that are automatically updated when any value in the row is updated by a transaction.
SQLStatistics()	Core	Current	Returns statistics about a single table and the list of indexes that are associated with the table.
SQLTablePrivileges()	Level 2	Current	Returns a list of tables and the privileges that are associated with each table.
SQLTables()	Core	Current	Returns the list of table names that are stored in a specific data source.

Terminating a statement

Table 20. Functions for terminating a statement

Function name	ODBC 3.0 level	Db2 ODBC support	Purpose
SQLCancel()	Core	Current	Cancels an SQL statement.
SQLCloseCursor()	Core	Current	Closes a cursor that has been opened on a statement handle.
SQLEndTran()	Core	Current	Commits or rolls back a transaction.
SQLFreeStmt()	Core	Current	Ends statement processing, closes the associated cursor, discards pending results, and, optionally, frees all resources that are associated with the statement handle.
SQLTransact()	Deprecated	Deprecated	Commits or rolls back a transaction.

Terminating a connection

Table 21. Functions for terminating a connection

Function name	ODBC 3.0 level	Db2 ODBC support	Purpose
SQLDisconnect()	Core	Current	Closes the connection.
SQLFreeConnect()	Deprecated	Deprecated	Releases the connection handle.
SQLFreeEnv()	Deprecated	Deprecated	Releases the environment handle.
SQLFreeHandle()	Core	Current	Releases an environment, connection, statement, or descriptor handle.

ODBC 3.0 functions that are not supported by Db2 ODBC

The following ODBC 3.0 functions are not supported by Db2 ODBC:

- `SQLBrowseConnect()`.
- `SQLCopyDesc()`. Db2 ODBC does not support descriptor fields.
- `SQLDrivers()`. This function is implemented by the ODBC driver manager which does not apply to Db2 ODBC.
- `SQLGetDescField()`. Db2 ODBC does not support descriptor fields.
- `SQLGetDescRec()`. Db2 ODBC does not support descriptor fields.
- `SQLSetDescField()`. Db2 ODBC does not support descriptor fields.
- `SQLSetDescRec()`. Db2 ODBC does not support descriptor fields.
- `SQLSetScrollOptions()`. This function is superseded by the following statement attributes:
 - `SQL_ATTR_CURSOR_TYPE`
 - `SQL_ATTR_CONCURRENCY`
 - `SQL_KEYSET_SIZE`
 - `SQL_ATTR_ROWSET_SIZE`

Related reference

Deprecated ODBC functions

Db2 ODBC supports the ODBC 3.0 standard and all deprecated functions. Use the function replacements where applicable to optimize performance.

SQLAllocConnect() - Allocate a connection handle

`SQLAllocConnect()` is a deprecated function and is replaced by `SQLAllocHandle()`.

ODBC specifications for SQLAllocConnect()

ODBC specification level	In X/Open CLI CAE specification?	In ISO CLI specification?
1.0 (Deprecated)	Yes	Yes

Syntax

```
SQLRETURN SQLAllocConnect (SQLHENV FAR henv, SQLHDBC FAR *phdbc);
```

Function arguments

The following table lists the data type, use, and description for each argument in this function.

Table 23. `SQLAllocConnect()` arguments

Data type	Argument	Use	Description
SQLHENV	<i>henv</i>	input	Environment handle
SQLHDBC *	<i>phdbc</i>	output	Pointer to a connection handle

Related reference

`SQLAllocHandle()` - Allocate a handle

`SQLAllocHandle()` allocates an environment handle, a connection handle, or a statement handle.

SQLAllocEnv() - Allocate an environment handle

`SQLAllocEnv()` is a deprecated function and is replaced by `SQLAllocHandle()`.

ODBC specifications for SQLAllocEnv()

Table 24. `SQLAllocEnv()` specifications

ODBC specification level	In X/Open CLI CAE specification?	In ISO CLI specification?
1.0 (Deprecated)	Yes	Yes

Syntax

```
SQLRETURN SQLAllocEnv (SQLHENV FAR *phenv);
```

Function arguments

The following table lists the data type, use, and description for each argument in this function.

Table 25. `SQLAllocEnv()` arguments

Data type	Argument	Use	Description
SQLHENV *	<i>phenv</i>	output	Points to the environment handle that you allocate.

Related reference

`SQLAllocHandle()` - Allocate a handle

`SQLAllocHandle()` allocates an environment handle, a connection handle, or a statement handle.

SQLAllocHandle() - Allocate a handle

`SQLAllocHandle()` allocates an environment handle, a connection handle, or a statement handle.

ODBC specifications for SQLAllocHandle()

Table 26. `SQLAllocHandle()` specifications

ODBC specification level	In X/Open CLI CAE specification?	In ISO CLI specification?
3.0	Yes	Yes

Syntax

```
SQLRETURN SQLAllocHandle (SQLSMALLINT HandleType,
                          SQLHANDLE InputHandle,
                          SQLHANDLE *OutputHandlePtr);
```

Function arguments

The following table lists the data type, use, and description for each argument in this function.

Table 27. *SQLAllocHandle()* arguments

Data type	Argument	Use	Description
SQLSMALLINT	<i>HandleType</i>	input	Specifies the type of handle that you want to allocate. Set this argument to one of the following values: <ul style="list-style-type: none">• SQL_HANDLE_ENV for an environment handle• SQL_HANDLE_DBC for a connection handle• SQL_HANDLE_STMT for a statement handle
SQLHANDLE	<i>InputHandle</i>	input	Specifies the handle from which you allocate the new handle. You set a different value for this argument depending on what type of handle you allocate. Set the <i>InputHandle</i> argument to one of the following values: <ul style="list-style-type: none">• SQL_NULL_HANDLE (or ignore this argument) if you are allocating an environment handle• To the environment handle if you are allocating a connection handle• To a connection handle if you are allocating a statement handle
SQLHANDLE *	<i>OutputHandlePtr</i>	output	Points to the buffer in which <i>SQLAllocHandle()</i> returns the newly allocated handle.

Usage

Use *SQLAllocHandle()* to allocate an environment handle, connection handles, and statement handles.

• Allocating an environment handle

An environment handle provides access to global information. To request an environment handle in your application, call *SQLAllocHandle()* with the *HandleType* argument set to *SQL_HANDLE_ENV* and the *InputHandle* argument set to *SQL_NULL_HANDLE*. (*InputHandle* is ignored when you allocate an environment handle.) Db2 ODBC allocates the environment handle and passes the value of the associated handle to the **OutputHandlePtr* argument. Your application passes the **OutputHandle* value in all subsequent calls that require an environment handle argument.

When you call *SQLAllocHandle()* to request an environment handle, the Db2 ODBC 3.0 driver implicitly sets *SQL_ATTR_ODBC_VERSION = SQL_OV_ODBC3*.

When you allocate an environment handle, the Db2 ODBC 3.0 driver checks the trace keywords in the common section of the Db2 ODBC initialization file. If these keywords are set, Db2 ODBC enables tracing. Db2 ODBC ends tracing when you free the environment handle.

The Db2 ODBC 3.0 driver does not support multiple environments.

• Allocating a connection handle

A connection handle provides access to information such as the valid statement handles on the connection and an indication of whether a transaction is currently open. To request a connection handle,

call `SQLAllocHandle()` with the *HandleType* argument set to `SQL_HANDLE_DBC`. Set the *InputHandle* argument to the current environment handle. Db2 ODBC allocates the connection handle and returns the value of the associated handle in **OutputHandlePtr*. Pass the **OutputHandlePtr* in all subsequent function calls that require this connection handle as an argument.

You can allocate multiple connection handles from the context of a single environment handle.

- **Allocating a statement handle**

A statement handle provides access to statement information, such as messages, the cursor name, and status information about SQL statement processing. To request a statement handle, connect to a data source and then call `SQLAllocHandle()`. You must allocate a statement handle before you submit SQL statements. In this call, set the *HandleType* argument to `SQL_HANDLE_STMT`. Set the *InputHandle* argument to the connection handle that is associated with the connection on which you want to execute SQL. Db2 ODBC allocates the statement handle, associates the statement handle with the connection specified, and returns the value of the associated handle in **OutputHandlePtr*. Pass the **OutputHandlePtr* value in all subsequent function calls that require this statement handle as an argument.

You can allocate multiple statement handles from the context of a single connection handle.

- **Managing handles**

Your Db2 ODBC applications can allocate multiple connection handles and multiple statement handles at the same time. You can allocate multiple connection handles and make multiple connections only when one or more of the following conditions are true:

- The connection type is set to coordinated
- Multiple contexts are enabled
- You use multiple Language Environment threads

If you attempt to allocate multiple connection handles when none of these conditions are true, the Db2 ODBC driver will return `SQLSTATE 08001`.

Db2 ODBC 3.0 driver applications can also use the same environment handle, connection handle, or statement handle on multiple threads. Db2 ODBC provides threadsafe access for all handles and function calls. Each connection within a single Language Environment thread maintains its own unit of recovery.

For applications that use more than one Language Environment thread, you must coordinate units of recovery and manage Db2 ODBC resources among Language Environment threads. Your application might behave unpredictably if your application does not perform this task. For example, if you call ODBC functions on different threads for the same connection simultaneously, the order in which these functions are executed at the database is unpredictable.



Attention: If you call `SQLAllocHandle()` with **OutputHandlePtr* set to a connection or statement handle that you previously allocated, Db2 ODBC overwrites all information that is associated with that handle. Db2 ODBC does not check whether the handle that is entered in **OutputHandlePtr* is in use, nor does Db2 ODBC check the previous contents of a handle before it overwrites the contents of that handle.

Return codes

After you call `SQLAllocHandle()`, it returns one of the following values:

- `SQL_SUCCESS`
- `SQL_SUCCESS_WITH_INFO`
- `SQL_INVALID_HANDLE`
- `SQL_ERROR`

Diagnostics

The way that you retrieve diagnostic information from `SQLAllocHandle()` depends on what type of handle you allocate. To retrieve diagnostic information from `SQLAllocHandle()`, you need to consider the following types of errors when you attempt to allocate a handle:

Environment handle allocation errors: When you receive an error while allocating an environment handle, the value to which the `OutputHandlePtr` argument points determines if you can use `SQLGetDiagRec()` to retrieve diagnostic information. One of the following cases occurs when you fail to allocate an environment handle:

- The `OutputHandlePtr` argument points to `SQL_NULL_HENV` when `SQLAllocHandle()` returns `SQL_ERROR`. In this case, you cannot call `SQLGetDiagRec()` to retrieve information about this error. Because no handle is associated with the error, you cannot retrieve information about that error.
- The `OutputHandlePtr` argument points to a value other than `SQL_NULL_HENV` when `SQLAllocHandle()` returns `SQL_ERROR`. In this case, the value to which the `OutputHandlePtr` argument points becomes a restricted environment handle. You can use a handle in this restricted state only to call `SQLGetDiagRec()` to obtain more error information or to call `SQLFreeHandle()` to free the restricted handle.

Connection or statement handle allocation errors: When you allocate a connection or statement handle, you can retrieve the following types of information:

- When `SQLAllocHandle()` returns `SQL_ERROR`, it sets `OutputHandlePtr` to `SQL_NULL_HDBC` for connection handles or `SQL_NULL_HSTMT` for statement handles (unless the output argument is a null pointer). Call `SQLGetDiagRec()` on the environment handle to obtain information about a failed connection handle allocation. Call `SQLGetDiagRec()` on a connection handle to obtain information about a failed statement handle allocation.
- When `SQLAllocHandle()` returns `SQL_SUCCESS_WITH_INFO`, it returns the allocated handle to `OutputHandlePtr`. To obtain additional information about the allocation, call `SQLGetDiagRec()` on the handle that you specified in the `InputHandle` argument of `SQLAllocHandle()`.

The following table lists each `SQLSTATE` that this function generates with a description and explanation for each value.

Table 28. `SQLAllocHandle()` `SQLSTATE`s

SQLSTATE	Description	Explanation
01000	Warning.	Informational message. (<code>SQLAllocHandle()</code> returns <code>SQL_SUCCESS_WITH_INFO</code> for this <code>SQLSTATE</code> .)
08003	Connection is closed.	The <code>HandleType</code> argument specifies <code>SQL_HANDLE_STMT</code> , but the connection that is specified in the <code>InputHandle</code> argument is not open. The connection process must be completed successfully (and the connection must be open) for Db2 ODBC to allocate a statement handle.
08S01	Communication link failure.	The communication link between the application and data source fails before the function completes.
58004	Unexpected system failure.	This could be a failure to establish the association with the Db2 for z/OS subsystem or any other system-related error.
HY000	General error.	An error occurred for which there was no specific <code>SQLSTATE</code> . The error message that <code>SQLGetDiagRec()</code> returns in the buffer that the <code>MessageText</code> argument describes the error and its cause.
HY001	Memory allocation failure.	Db2 ODBC is unable to allocate memory for the specified handle.
HY009	Invalid use of a null pointer.	The <code>OutputHandlePtr</code> argument specifies a null pointer

Table 28. *SQLAllocHandle()* SQLSTATES (continued)

SQLSTATE	Description	Explanation
HY013	Unexpected memory handling error.	The <i>HandleType</i> argument specifies SQL_HANDLE_DBC or SQL_HANDLE_STMT, and the function call could not be processed because the underlying memory objects could not be accessed, possibly because of low-memory conditions.
HY014	No more handles.	The limit for the number of handles that can be allocated for the type of handle that is indicated by the <i>HandleType</i> argument has been reached.
HY092	Option type out of range.	The <i>HandleType</i> argument does not specify one of the following values: <ul style="list-style-type: none"> • SQL_HANDLE_ENV • SQL_HANDLE_DBC • SQL_HANDLE_STMT

Restrictions

The Db2 ODBC 3.0 driver does not support multiple environments; you can allocate only one active environment at any time. If you call *SQLAllocHandle()* to allocate more environment handles, this function returns the original environment handle and SQL_SUCCESS. The Db2 ODBC driver keeps an internal count of these environment requests. You must call *SQLFreeHandle()* on the environment handle for each time that you successfully request an environment handle. The last successful *SQLFreeHandle()* call that you make on the environment handle frees the Db2 ODBC 3.0 driver environment. This behavior ensures that an ODBC application does not prematurely deallocate the driver environment. The Db2 ODBC 2.0 driver and Db2 ODBC 3.0 driver behave consistently in this situation.

Example

Refer to the DSN803VP sample application or DSN803VP in the DSN1210.SDSNSAMP data set.

Related concepts

ODBC 3.0 driver behavior

Behavioral changes refer to functionality that varies depending on the version of ODBC that is in use. The ODBC 2.0 and ODBC 3.0 drivers behave according to the setting of the SQL_ATTR_ODBC_VERSION environment attribute.

Db2 ODBC initialization file

A set of optional keywords can be specified in a Db2 ODBC *initialization file*. An initialization file stores default values for various Db2 ODBC configuration options. Because the initialization file has EBCDIC text, you can use a file editor, such as the TSO editor, to edit it.

DSN803VP sample application

The DSN803VP sample program validates the installation of Db2 ODBC.

Multithreaded and multiple-context applications in Db2 ODBC

Db2 ODBC supports multi-threading and multiple contexts. You need to follow certain guidelines when using multiple contexts and multi-threading together in an application.

Problem diagnosis

Several guidelines exist for working with the Db2 ODBC traces, including information about general diagnosis, debugging, and abnormal terminations.

Related reference

Function return codes

Every ODBC function returns a return code that indicates whether the function invocation succeeded or failed.

[SQLFreeHandle\(\)](#) - Free a handle

`SQLFreeHandle()` frees an environment handle, a connection handle, or a statement handle.

[SQLGetDiagRec\(\)](#) - Get multiple field settings of diagnostic record

`SQLGetDiagRec()` returns the current values of multiple fields of a diagnostic record that contains error, warning, and status information. `SQLGetDiagRec()` also returns several commonly used fields of a diagnostic record, including the `SQLSTATE`, the native error code, and the error message text.

SQLAllocStmt() - Allocate a statement handle

`SQLAllocStmt()` is a deprecated function and is replaced by `SQLAllocHandle()`.

ODBC specifications for SQLAllocStmt()

Table 29. <code>SQLAllocStmt()</code> specifications		
ODBC specification level	In X/Open CLI CAE specification?	In ISO CLI specification?
1.0 (Deprecated)	Yes	Yes

Syntax

```
SQLRETURN SQLAllocStmt (SQLHDBC FAR hdbc, SQLHSTMT FAR *phstmt);
```

Function arguments

The following table lists the data type, use, and description for each argument in this function.

Table 30. <code>SQLAllocStmt()</code> arguments			
Data type	Argument	Use	Description
SQLHDBC	<i>hdbc</i>	input	Specifies the connection handle
SQLHSTMT *	<i>phstmt</i>	output	Points to the newly allocated statement handle

Related reference

[SQLAllocHandle\(\)](#) - Allocate a handle

`SQLAllocHandle()` allocates an environment handle, a connection handle, or a statement handle.

SQLBindCol() - Bind a column to an application variable

`SQLBindCol()` binds a column to an application variable. You can call `SQLBindCol()` once for each column in a result set from which you want to retrieve data or LOB locators.

ODBC specifications for SQLBindCol()

Table 31. <code>SQLBindCol()</code> specifications		
ODBC specification level	In X/Open CLI CAE specification?	In ISO CLI specification?
1.0	Yes	Yes

Syntax

For 31-bit applications, use the following syntax:

```
SQLRETURN SQLBindCol (SQLHSTMT          hstmt,
                      SQLUSMALLINT       icol,
                      SQLSMALLINT        fCType,
                      SQLPOINTER         rgbValue,
                      SQLINTEGER         cbValueMax,
                      SQLINTEGER FAR     *pcbValue);
```

For 64-bit applications, use the following syntax:

```
SQLRETURN SQLBindCol (SQLHSTMT          hstmt,
                      SQLUSMALLINT       icol,
                      SQLSMALLINT        fCType,
                      SQLPOINTER         rgbValue,
                      SQLLEN             cbValueMax,
                      SQLLEN FAR         *pcbValue);
```

Function arguments

The following table lists the data type, use, and description for each argument in this function.

Table 32. *SQLBindCol()* arguments

Data type	Argument	Use	Description
SQLHSTMT	<i>hstmt</i>	input	Specifies the statement handle on which results are returned.
SQLUSMALLINT	<i>icol</i>	input	Specifies the number that identifies the column you bind. Columns are numbered sequentially, from left to right, starting at 1.

Table 32. *SQLBindCol()* arguments (continued)

Data type	Argument	Use	Description
SQLSMALLINT	<i>fCType</i>	input	<p>The C data type for column number <i>icol</i> in the result set. The following types are supported:</p> <ul style="list-style-type: none"> • SQL_C_BIGINT • SQL_C_BINARY • SQL_C_BINARYXML • SQL_C_BIT • SQL_C_BLOB_LOCATOR • SQL_C_CHAR • SQL_C_CLOB_LOCATOR • SQL_C_DBCHAR • SQL_C_DBCLOB_LOCATOR • SQL_C_DECIMAL64 • SQL_C_DECIMAL128 • SQL_C_DOUBLE • SQL_C_FLOAT • SQL_C_LONG • SQL_C_SHORT • SQL_C_TYPE_DATE • SQL_C_TYPE_TIME • SQL_C_TYPE_TIMESTAMP • SQL_C_TYPE_TIMESTAMP_EXT • SQL_C_TYPE_TIMESTAMP_EXT_TZ • SQL_C_TINYINT • SQL_C_WCHAR <p>The supported data types are based on the data source to which you are connected. Specifying SQL_C_DEFAULT causes data to be transferred to its default C data type.</p>
SQLPOINTER	<i>rgbValue</i>	output (deferred)	<p>Points to a buffer (or an array of buffers when you use the <code>SQLExtendedFetch()</code> function) where Db2 ODBC stores the column data or the LOB locator when you fetch data from the bound column.</p> <p>If the <i>rgbValue</i> argument is null, the column is unbound.</p>
SQLINTEGER (31-bit) or SQLLEN (64-bit) ¹	<i>cbValueMax</i>	input	<p>Specifies the size of the <i>rgbValue</i> buffer in bytes that are available to store the column data or the LOB locator.</p> <p>If the <i>fCType</i> argument denotes a binary or character string (either single-byte or double-byte) or is SQL_C_DEFAULT, <i>cbValueMax</i> must be greater than 0, or an error occurs. If the <i>fCType</i> argument denotes other data types, the <i>cbValueMax</i> argument is ignored.</p>

Table 32. *SQLBindCol()* arguments (continued)

Data type	Argument	Use	Description
SQLINTEGER * (31-bit) or SQLLEN * (64-bit) ¹	<i>pcbValue</i>	output (deferred)	<p>Pointer to a value (or array of values) that indicates the number of bytes that Db2 ODBC has available to return in the <i>rgbValue</i> buffer. If <i>fCType</i> is a LOB locator, the size of the locator, not the size of the LOB data, is returned.</p> <p>SQLFetch() returns SQL_NULL_DATA in this argument if the data value of the column is null.</p> <p>This pointer value can be null. If this pointer is not null, it must be unique for each bound column.</p> <p>SQL_NO_LENGTH can also be returned. See “Usage” on page 101 for more details.</p>

Notes:

- For 64-bit applications, the data type SQLINTEGER, which was used in previous versions of Db2, is still valid. However, for maximum application portability, using SQLLEN is recommended.

Important: You must ensure the locations that the pointers *rgbValue* and *pcbValue* reference are valid until you call SQLFetch() or SQLExtendedFetch(). For SQLBindCol(), the pointers *rgbValue* and *pcbValue* are deferred outputs, which means that the storage locations to which they point are not updated until you fetch a row from the result set. For example, if you call SQLBindCol() within a local function, you must call SQLFetch() from within the same scope of the function, or you must allocate the *rgbValue* buffer as static or global.

Tip: Place the buffer that the *rgbValue* argument specifies consecutively in memory after the buffer that the *pcbValue* argument specifies for better Db2 ODBC performance for all varying-length data types. See [“Usage” on page 101](#) for more details.

Usage

Use SQLBindCol() to associate, or *bind*, columns in a result set with the following elements of your application:

- Application variables or arrays of application variables (storage buffers) for all C data types. When you bind columns to application variables, data is transferred from the database management system to the application when you call SQLFetch() or SQLExtendedFetch(). This transfer converts data from an SQL type to any supported C type variable that you specify in the SQLBindCol() call.
- A LOB locator, for LOB columns. When you bind to LOB locators, the locator, not the data itself, is transferred from the database management system to the application when you call SQLFetch(). A LOB locator can represent the entire data or a portion of the data.

Call SQLBindCol() once for each column in a result set from which you want to retrieve data or LOB locators. You generate result sets when you call SQLPrepare(), SQLExecDirect(), SQLGetTypeInfo(), or one of the catalog functions. After you bind columns to a result set, call SQLFetch() to place data from these columns into application storage locations (the locations to which the *rgbValue* and *cbValue* arguments point). If the *fCType* argument specifies a LOB locator, a locator value (not the LOB data itself) is placed in these locations. This locator value references the entire data value in the LOB column at the server. You might need to obtain column attributes before you call SQLBindCol(). To obtain these attributes, call SQLDescribeCol() or SQLColAttribute().

You can use SQLExtendedFetch() in place of SQLFetch() to retrieve multiple rows from the result set into an array. In this case, the *rgbValue* argument references an array. You cannot mix calls to SQLExtendedFetch() with calls to SQLFetch() on the same result set.

Obtaining information about the result set: Columns are identified by a number, assigned sequentially from left to right, starting at 1. To determine the number of columns in a result set,

call `SQLNumResultCols()`, or call `SQLColAttribute()` with the *FieldIdentifier* argument set to `SQL_DESC_COUNT`.

Call `SQLDescribeCol()` or `SQLColAttribute()` to query the attributes (such as data type and length) of a column. You can then use this information to allocate a storage location with a C data type and length that match the SQL data type and length of the result set column. In the case of LOB data types, you can retrieve a locator instead of the entire LOB value.

You can choose which, if any, columns that you want to bind from a result set. For unbound columns, use `SQLGetData()` instead of, or in conjunction with, `SQLBindCol()` to retrieve data. Generally, `SQLBindCol()` is more efficient than `SQLGetData()`.

During subsequent fetches, you can use `SQLBindCol()` to change which columns are bound to application variables or to bind previously unbound columns. New binds do not apply to data that you have fetched; these binds are used for the next fetch. To unbind a single column, call `SQLBindCol()` with the *rgbValue* pointer set to `NULL`. To unbind all the columns, call `SQLFreeStmt()` with the *fOption* input set to `SQL_UNBIND`.

Allocating buffers: Ensure that you allocate enough storage to hold the data that you retrieve. When you allocate a buffer to hold varying-length data, allocate an amount of storage that is equal to the maximum length of data that the column that is bound to this buffer can produce. If you allocate less storage than this maximum, `SQLFetch()` or `SQLExtendedFetch()` truncates any data that is larger than the space that you allocated. When you allocate a buffer that holds fixed-length data, Db2 ODBC assumes that the size of the buffer is the length of the C data type. If you specify data conversion, the amount of space that the data requires might change.

When you bind a column that is defined as `SQL_GRAPHIC`, `SQL_VARGRAPHIC`, or `SQL_LONGVARGRAPHIC`, you can set the *fCType* argument to `SQL_C_DBCHAR`, `SQL_C_WCHAR`, or `SQL_C_CHAR`. If you set the *fCType* argument to `SQL_C_DBCHAR` or `SQL_C_WCHAR`, the data that you fetch into the *rgbValue* buffer is nul-terminated by a double-byte nul-terminator. If you set the *fCType* argument to `SQL_C_CHAR`, the data that you fetch is not always nul-terminated. In both cases, the length of the *rgbValue* buffer (*cbValueMax*) is in units of bytes, and the value is always a multiple of 2.

When you bind a varying-length column, Db2 ODBC can write to both of the buffers that specified by the *pcbValue* and *rgbValue* arguments in one operation if you allocate these buffers contiguously. The following example illustrates how to allocate these buffers contiguously:

```
struct { SQLINTEGER  pcbValue;  
        SQLCHAR    rgbValue[MAX_BUFFER];  
} column;
```

When the *pcbValue* and *rgbValue* arguments are contiguous, `SQL_NO_TOTAL` is returned in the *pcbValue* argument if your bind meets **all** of the following conditions:

- The SQL type is a varying-length type.
- The column type is NOT NULLABLE.
- String truncation occurred.

Handling data truncation: If `SQLFetch()` or `SQLExtendedFetch()` truncates data, it returns `SQL_SUCCESS_WITH_INFO` and set the *pcbValue* argument to a value that represents the amount of space (in bytes) that the full data requires.

Truncation is also affected by the `SQL_ATTR_MAX_LENGTH` statement attribute (which is used to limit the amount of data that your application returns). You can disable truncation warnings with the following procedure:

1. Call `SQLSetStmtAttr()`.
 - Set the *Attribute* argument to `SQL_ATTR_MAX_LENGTH`.
 - Point the *ValuePtr* argument to a buffer that contains the value for the maximum length, in bytes, of varying-length columns that you want to receive.
2. Allocate the *rgbValue* argument on your `SQLBindCol()` call as a buffer that is the same size (plus the nul-terminator) as you set for the value of the `SQL_ATTR_MAX_LENGTH` statement attribute.

If the column data is larger than the maximum length that you specified, the maximum length, not the actual length, is returned in the buffer to which the *pcbValue* argument points. If data is truncated because it exceeds the maximum length that the `SQL_ATTR_MAX_LENGTH` statement attribute specifies, you receive no warning of this truncation. `SQLFetch()` and `SQLExtendedFetch()` return `SQL_SUCCESS` for data that is truncated in this way.

When you bind a column that holds `SQL_ROWID` data, you can set the *fctype* argument to `SQL_C_CHAR` or `SQL_C_DEFAULT`. The data that you fetch into the buffer that the *rgbValue* argument specifies is nul-terminated. The maximum length of a `ROWID` column in the database management system is 40 bytes. Therefore, to retrieve this type of data without truncation, you must allocate an *rgbValue* buffer of at least 40 bytes in your application.

Handling encoding schemes: The Db2 ODBC driver determines one of the following encoding schemes for character and graphic data through the settings of the `CURRENTAPPENSCH` keyword (which appears in the initialization file) and the *fctype* argument (which you specify in `SQLBindCol()` calls).

- The ODBC driver places EBCDIC data into application variables when both of the following conditions are true:
 - `CURRENTAPPENSCH = EBCDIC` is specified in the initialization file, the `CCSID` that is specified for the `CURRENTAPPENSCH` keyword is an EBCDIC `CCSID`, or the `CURRENTAPPENSCH` keyword is not specified in the initialization file.
 - The *fctype* argument specifies `SQL_C_CHAR` or `SQL_C_DBCHAR` in the `SQLBindCol()` call.
- The ODBC driver places Unicode UCS-2 data into application variables when the *fctype* argument specifies `SQL_C_WCHAR` in the `SQLBindCol()` call.
- The ODBC driver places Unicode UTF-8 data into application variables when both of the following conditions are true:
 - `CURRENTAPPENSCH = UNICODE` is specified in the initialization file, or the `CCSID` that is specified for the `CURRENTAPPENSCH` keyword is a Unicode `CCSID` (1200, 1208, 13488 or 17584).
 - The *fctype* argument specifies `SQL_C_CHAR` in the `SQLBindCol()` call.
- The ODBC driver places ASCII data into application variables when both of the following conditions are true:
 - `CURRENTAPPENSCH = ASCII` is specified in the initialization file, or the `CCSID` that is specified for the `CURRENTAPPENSCH` keyword is an ASCII `CCSID`.
 - The *fctype* argument specifies `SQL_C_CHAR` or `SQL_C_DBCHAR` in the `SQLBindCol()` call.

Retrieved UTF-8 data is terminated by a single-byte nul-terminator, where as retrieved UCS-2 data is terminated by a double-byte nul-terminator.

Binding LOB columns: You generally treat LOB locators like any other data type, but when you use LOB locators the following differences apply:

- The server generates locator values when you fetch from a column that is bound to the LOB locator `C` data type and passes only the locator, not the data, to the application.
- When you call `SQLGetSubString()` to define a locator on a portion of another LOB, the server generates a new locator and transfers only the locator to the application.
- The value of a locator is valid only within the current transaction. You cannot store a locator value and use it beyond the current transaction, even if you specify the `WITH HOLD` attribute when you define the cursor that you use to fetch the locator.
- You can use the `FREE LOCATOR` statement to free a locator before the end of a transaction.
- When your application receives a locator, you can use `SQLGetSubString()` to either receive a portion of the LOB value or to generate another locator that represents a portion of the LOB value. You can also use locator values as input for a parameter marker (with the `SQLBindParameter()` function).

A LOB locator is not a pointer to a database position; rather, it is a reference to a LOB value, a snapshot of that LOB value. The current position of the cursor and the row from which the LOB value is extracted

are not associated. Therefore, even after the cursor moves to a different row, the LOB locator (and thus the value that it represents) can still be referenced.

- With locators, you can use `SQLGetPosition()` and `SQLGetLength()` with `SQLGetSubString()` to define a substring of a LOB value.

You can bind a LOB column to one of the following data types:

- A storage buffer (to hold the entire LOB data value)
- A LOB locator (to hold the locator value only)

The most recent bind column function call determines the type of binding that is in effect.

Return codes

After you call `SQLBindCol()`, it returns one of the following values:

- `SQL_SUCCESS`
- `SQL_ERROR`
- `SQL_INVALID_HANDLE`

Diagnostics

The following table lists each `SQLSTATE` that this function generates, with a description and explanation for each value.

Table 33. `SQLBindCol()` `SQLSTATE`s

SQLSTATE	Description	Explanation
08S01	Communication link failure.	The communication link between the application and data source fails before the function completes.
58004	Unexpected system failure.	Unrecoverable system error.
HY001	Memory allocation failure.	Db2 ODBC is not able to allocate the required memory to support the execution or the completion of the function.
HY002	Invalid column number.	The specified value for the <i>icol</i> argument is less than 0 or greater than the number of columns in the result set.
HY003	Program type out of range.	The <i>fctype</i> argument is not a valid data type or <code>SQL_C_DEFAULT</code> .
HY010	Function sequence error.	The function is called during a data-at-execute operation. (That is, the function is called during a procedure that uses the <code>SQLParamData()</code> or <code>SQLPutData()</code> functions.)
HY013	Unexpected memory handling error.	Db2 ODBC is not able to allocate the required memory to support the execution or the completion of the function. Db2 ODBC is not able to access the memory that is required to support execution or completion of the function.
HY090	Invalid string or buffer length.	The specified value for the <i>cbValueMax</i> argument is less than 0.
HYC00	Driver not capable.	Db2 ODBC does not support the value that the <i>fctype</i> argument specifies.

Important: Additional diagnostic messages that relate to the bound columns might be reported at fetch time.

Example

Refer to `SQLExtendedFetch()` for more details. This function returns a block of data containing multiple rows for each bound column.

Related concepts

[ODBC programming hints and tips](#)

When you program a Db2 ODBC application, you can avoid common problems, improve performance, reduce network flow, and maximize portability.

[Data types and data conversion](#)

When you write a Db2 ODBC application, you must work with both SQL data types and C data types. The database server uses SQL data types, and the application uses C data types.

[Application encoding schemes and Db2 ODBC](#)

Unicode and ASCII are alternatives to the EBCDIC character encoding scheme. The Db2 ODBC driver supports input and output character string arguments to ODBC APIs and input and output host variable data in each of these encoding schemes.

[Retrieval of a result set into an array](#)

An application can issue a query statement and fetch rows from the result set that the query generates.

[Code ODBC functions for efficient data retrieval](#)

You can retrieve data more efficiently by following several guidelines.

[Example of binding result set columns to retrieve UCS-2 data](#)

You can use `SQLBindCol()` to bind the first column of a result set to a Unicode UCS-2 application buffer.

Related reference

[C and SQL data types](#)

Db2 ODBC defines a set of SQL symbolic data types. Each SQL symbolic data type has a corresponding default C data type.

[SQLExtendedFetch\(\) - Fetch an array of rows](#)

`SQLExtendedFetch()` extends the function of `SQLFetch()` by returning a *row set* array for each bound column. The value the `SQL_ATTR_ROWSET_SIZE` statement attribute determines the size of the row set that `SQLExtendedFetch()` returns.

[SQLFetch\(\) - Fetch the next row](#)

`SQLFetch()` advances the cursor to the next row of the result set and retrieves any bound columns. Columns can be bound to either the application storage or LOB locators.

[Function return codes](#)

Every ODBC function returns a return code that indicates whether the function invocation succeeded or failed.

SQLBindFileToCol() - Associate a column with a file reference

`SQLBindFileToCol()` associates a LOB column in a result set to a file reference or an array of file references. This association enables data in that column to be transferred directly into a file when each row is fetched for the statement handle.

ODBC specifications for SQLBindFileToCol()

ODBC specification level	In X/Open CLI CAE specification?	In ISO CLI specification?
No	No	No

Syntax

```
SQLRETURN SQLBindFileToCol (SQLHSTMT  
SQLUSMALLINT  
SQLCHAR  
SQLSMALLINT  
SQLINTEGER  
SQLSMALLINT  
StatementHandle, /* hstmt */  
ColumnNumber, /* icol */  
*FileName,  
*FileNameLength,  
*FileOptions,  
MaxFileNameLength,
```

SQLINTEGER *StringLength,
SQLINTEGER *IndicatorValue);

Function arguments

The data type, use, and description for each argument in this function are similar to those of SQLBindCol() arguments.

Table 35. SQLBindFileToCol arguments

Data type	Argument	Use	Description
SQLHSTMT	<i>StatementHandle</i>	input	Statement handle.
SQLUSMALLINT	<i>icol</i>	input	Number that identifies the column. Columns are numbered sequentially, from left to right, starting at 1.
SQLCHAR *	<i>FileName</i>	input (deferred)	Pointer to the location that will contain the file name or an array of file names at the time of the next fetch using <i>StatementHandle</i> . The name is the absolute path name of each file. This pointer cannot be NULL.
SQLSMALLINT *	<i>FileNameLength</i>	input (deferred)	Pointer to the location that will contain the length of the file name or an array of lengths at the time of the next fetch using <i>StatementHandle</i> . If this pointer is NULL, ODBC treats <i>FileName</i> as a null-terminated string. The result is the same as if a length of SQL_NTS is passed. The maximum value of the file name length is 255.
SQLINTEGER *	<i>FileOptions</i>	input (deferred)	Pointer to the location that will contain the file option or an array of file options to be used when data is written to the file at the time of the next fetch using <i>StatementHandle</i> . The following <i>FileOptions</i> values are supported: SQL_FILE_CREATE Create a new file. If a file with this name already exists, SQL_ERROR is returned. SQL_FILE_OVERWRITE If the file already exists, overwrite it. Otherwise, create a new file. SQL_FILE_APPEND If the file already exists, append the data to it. Otherwise, create a new file. Only one option can be specified for a file. There is no default.
SQLSMALLINT	<i>MaxFileNameLength</i>	input	Specifies the length of the <i>FileName</i> buffer. If the application uses SQLExtendedFetch() to retrieve multiple rows for the LOB column, specifies the length of each element in the <i>FileName</i> array.
SQLINTEGER *	<i>StringLength</i>	output (deferred)	Pointer to the location that contains the length or array of lengths of the LOB data that is returned. If this pointer is NULL, nothing is returned.

Table 35. *SQLBindFileToCol* arguments (continued)

Data type	Argument	Use	Description
SQLINTEGER *	<i>IndicatorValue</i>	output (deferred)	Pointer to the location that contains an indicator value or array of values that indicate if the fetched LOB value is NULL.

Usage

The LOB file reference arguments (file name, file name length, file reference options) refer to a file in the application's environment (on the client). Before fetching each row, the application must ensure that these variables contain the name of a file, the length of the file name, and a file option (create, overwrite, or append). These values can be changed between row fetch operations.

The application calls `SQLBindFileToCol()` once for each column that should be transferred directly to a file when a row is fetched. LOB data is written directly to the file without any data conversion, and without appending null-terminators.

FileName, *FileNameLength*, and *FileOptions* must be set before each fetch. When `SQLFetch()` or `SQLExtendedFetch()` is called, the data for any column that has been bound to a LOB file reference is written to the file or files that are pointed to by that file reference. Errors associated with the deferred input argument values of `SQLBindFileToCol()` are reported at fetch time. The LOB file reference, and the deferred *StringLength* and *IndicatorValue* output arguments are updated between fetch operations.

If `SQLExtendedFetch()` is used to retrieve multiple rows for the LOB column, *FileName*, *FileNameLength*, and *FileOptions* point to arrays of LOB file reference variables. In this case, *MaxFileNameLength* specifies the length of each element in the *FileName* array and is used by Db2 ODBC to determine the location of each element in the *FileName* array. The contents of the array of file references must be valid at the time of the `SQLExtendedFetch()` call. The *StringLength* and *IndicatorValue* pointers each point to an array whose elements are updated when `SQLExtendedFetch()` is called.

With `SQLExtendedFetch()`, multiple LOB values can be written to multiple files, or to the same file depending on the file names specified. If writing to the same file, the `SQL_FILE_APPEND` file option should be specified for each file name entry.

Return codes

After you call `SQLBindFileToCol()`, it returns one of the following values:

- `SQL_SUCCESS`
- `SQL_SUCCESS_WITH_INFO`
- `SQL_ERROR`
- `SQL_INVALID_HANDLE`

Diagnostics

The following table lists each `SQLSTATE` that this function generates, with a description and explanation for each value.

Table 36. *SQLBindFileToCol* `SQLSTATE`s

<code>SQLSTATE</code>	Description	Explanation
08S01	Communication link failure.	The communication link between the application and data source fails before the function completes.
58004	Unexpected system failure.	Unrecoverable system error.
HY002	Invalid column number.	The value specified for the argument <i>icol</i> was less than 1.

Table 36. *SQLBindFileToCol* SQLSTATEs (continued)

SQLSTATE	Description	Explanation
HY001	Memory allocation failure.	Db2 ODBC is unable to allocate memory required to support execution or completion of the function.
HY009	Invalid use of a null pointer.	<i>FileName</i> or <i>FileOptions</i> is a null pointer.
HY010	Function sequence error.	The function was called while in a data-at-execute (SQLParamData(), SQLPutData()) operation. The function was called while within a BEGIN COMPOUND and END COMPOUND SQL operation.
HY013	Unexpected memory handling error.	Db2 ODBC was unable to access memory required to support execution or completion of the function.
HY090	Invalid string or buffer length.	The value specified for the argument <i>MaxFileNameLength</i> was less than 0.
HYC00	Driver not capable.	The application is currently connected to a data source that does not support large objects.

Example

```

/* Bind a file to a BLOB column */
rc = SQLBindFileToCol(hstmt,
                    1,
                    fileName,
                    &fileNameLength,
                    &fileOption,
                    14,
                    NULL,
                    &fileInd);

```

Related reference

[SQLBindCol\(\)](#) - Bind a column to an application variable

[SQLBindCol\(\)](#) binds a column to an application variable. You can call [SQLBindCol\(\)](#) once for each column in a result set from which you want to retrieve data or LOB locators.

[SQLExtendedFetch\(\)](#) - Fetch an array of rows

[SQLExtendedFetch\(\)](#) extends the function of [SQLFetch\(\)](#) by returning a *row set* array for each bound column. The value the `SQL_ATTR_ROWSET_SIZE` statement attribute determines the size of the row set that [SQLExtendedFetch\(\)](#) returns.

[SQLFetch\(\)](#) - Fetch the next row

[SQLFetch\(\)](#) advances the cursor to the next row of the result set and retrieves any bound columns. Columns can be bound to either the application storage or LOB locators.

[Function return codes](#)

Every ODBC function returns a return code that indicates whether the function invocation succeeded or failed.

SQLBindFileToParam() - Bind a parameter marker to a file reference

SQLBindFileToParam() associates a parameter marker in an SQL statement to a file reference or to an array of file references. This association enables data from the file to be transferred directly into a LOB column when the statement is executed later.

ODBC specifications for SQLBindFileToParam()

ODBC specification level	In X/Open CLI CAE specification?	In ISO CLI specification?
No	No	No

Syntax

```
SQLRETURN SQLBindFileToParam (
    SQLHSTMT      StatementHandle,          /* hstmt */
    SQLUSMALLINT  TargetType,              /* ipar */
    SQLSMALLINT   DataType,                /* fSqlType */
    SQLCHAR       *FileName,
    SQLSMALLINT   *FileNameLength,
    SQLINTEGER    *FileOptions,
    SQLSMALLINT   MaxFileNameLength,
    SQLINTEGER    *IndicatorValue);
```

Function arguments

The following table lists the data type, use, and description for each argument in this function.

Table 38. SQLBindFileToParam arguments

Data type	Argument	Use	Description
SQLHSTMT	<i>StatementHandle</i>	input	Statement handle.
SQLUSMALLINT	<i>TargetType</i>	input	Parameter marker number. Parameters are numbered sequentially, from left to right, starting at 1.
SQLSMALLINT	<i>DataType</i>	input	SQL data type of the column. The data type must be one of these types: <ul style="list-style-type: none"> • SQL_BLOB • SQL_CLOB • SQL_DBCLOB
SQLCHAR *	<i>FileName</i>	input (deferred)	Pointer to the location that contains the file name or an array of file names when the statement (<i>StatementHandle</i>) is executed. This is the absolute path name of the file. This argument cannot be NULL.

Table 38. SQLBindFileToParam arguments (continued)

Data type	Argument	Use	Description
SQLSMALLINT *	<i>FileNameLength</i>	input (deferred)	<p>Pointer to the location that contains the length of the file name (or an array of lengths) at the time of the next <code>SQLExec()</code> or <code>SQLExecDirect()</code> using <i>StatementHandle</i>. If this pointer is NULL, ODBC treats <i>FileName</i> as a null-terminated string. The result is the same as if a length of <code>SQL_NTS</code> is passed.</p> <p>The maximum value of the file name length is 255.</p>
SQLINTEGER *	<i>FileOptions</i>	input (deferred)	<p>Pointer to the location that contains the file option (or an array of file options) to be used when the file is read. The location is accessed when the statement (<i>StatementHandle</i>) is executed. Only one option is supported, and it must be specified:</p> <p>SQL_FILE_READ A regular file that can be opened, read, and closed. The length is computed when the file is opened.</p> <p>This pointer cannot be NULL.</p>
SQLSMALLINT	<i>MaxFileNameLength</i>	input	<p>The length of the <i>FileName</i> buffer. If the application calls <code>SQLSetStmtAttr()</code> to specify multiple values for each parameter, this is the length of each element in the <i>FileName</i> array.</p>
SQLINTEGER *	<i>IndicatorValue</i>	input (deferred)	<p>The pointer to the location that contains an indicator value or array of values, which are set to <code>SQL_NULL_DATA</code> if the LOB data value is to be null. The value at the location must be set to 0 or the pointer must be set to null when the data value is not null.</p>

Usage

The LOB file reference arguments (file name, file name length, file reference options) refer to a file within the application's environment (on the client). Before calling `SQLExecute()` or `SQLExecDirect()`, the application must ensure that this information is available in the deferred input buffers. These values can be changed between `SQLExecute()` calls.

The application calls `SQLBindFileToParam()` once for each parameter marker whose value is obtained directly from a file when a statement is executed. Before the statement is executed, the *FileName*, *FileNameLength*, and *FileOptions* values must be set. When the statement is executed, the data for any parameter that has been bound using `SQLBindFileToParam()` is read from the referenced file and passed to the server.

If the application uses `SQLSetStmtAttr()` to specify multiple values for each parameter, *FileName*, *FileNameLength*, and *FileOptions* point to an array of LOB file reference variables. In this case, *MaxFileNameLength* specifies the length of each element in the *FileName* array and is used by Db2 ODBC to determine the location of each element in the *FileName* array.

A LOB parameter marker can be associated with an input file using `SQLBindFileToParam()`, or with a stored buffer using `SQLBindParameter()`. The most recent bind parameter function call determines the type of binding that is in effect.

Return codes

After you call `SQLBindFileToParam()`, it returns one of the following values:

- `SQL_SUCCESS`
- `SQL_SUCCESS_WITH_INFO`
- `SQL_ERROR`
- `SQL_INVALID_HANDLE`

Diagnostics

The following table lists each `SQLSTATE` that this function generates, with a description and explanation for each value.

Table 39. `SQLBindFileToParam` `SQLSTATE`s

SQLSTATE	Description	Explanation
08S01	Communication link failure.	The communication link between the application and data source fails before the function completes.
58004	Unexpected system failure.	Unrecoverable system error.
HY001	Memory allocation failure.	Db2 ODBC is unable to allocate the memory that is required to support execution or completion of the function.
HY004	SQL data type out of range.	The value specified for <i>Data Type</i> was not a valid SQL type for this function call.
HY009	Invalid argument value.	<i>FileName</i> or <i>FileOptions</i> is a null pointer.
HY010	Function sequence error.	The function was called while in a data-at-execute (<code>SQLParamdata()</code> , <code>SQLPutData()</code>) operation. The function was called while within a <code>BEGIN COMPOUND</code> and <code>END COMPOUND</code> SQL operation.
HY013	Unexpected memory handling error.	Db2 ODBC was unable to access memory that is required to support execution or completion of the function.
HY090	Invalid string or buffer length.	The value specified for the input argument <i>MaxFileNameLength</i> was less than 0.
HY093	Invalid parameter number.	The value specified for <i>TargetType</i> was less than 1.
HYC00	Driver not capable.	Db2 ODBC does not support "catalog" as a qualifier for table name.

Example

```
/* Bind a file reference to a parameter */
rc = SQLBindFileToParam(hstmt,
                        3,
                        SQL_BLOB,
                        fileName,
                        &fileNameLength,
                        &fileOption,
                        14,
                        &fileInd);
```

Related reference

[Function return codes](#)

Every ODBC function returns a return code that indicates whether the function invocation succeeded or failed.

SQLBindParameter() - Bind a parameter marker to a buffer or LOB locator

SQLBindParameter() binds parameter markers to application variables and extends the capability of the SQLSetParam() function.

ODBC specifications for SQLBindParameter()

Table 40. SQLBindParameter() specifications		
ODBC specification level	In X/Open CLI CAE specification?	In ISO CLI specification?
2.0	No	No

Syntax

For 31-bit applications, use the following syntax:

```
SQLRETURN SQL_API SQLBindParameter(
    SQLHSTMT          hstmt,
    SQLUSMALLINT      ipar,
    SQLSMALLINT       fParamType,
    SQLSMALLINT       fCType,
    SQLSMALLINT       fSqlType,
    SQLINTEGER         cbColDef,
    SQLSMALLINT       ibScale,
    SQLPOINTER        rgbValue,
    SQLINTEGER         cbValueMax,
    SQLINTEGER        FAR *pcbValue);
```

For 64-bit applications, use the following syntax:

```
SQLRETURN SQL_API SQLBindParameter(
    SQLHSTMT          hstmt,
    SQLUSMALLINT      ipar,
    SQLSMALLINT       fParamType,
    SQLSMALLINT       fCType,
    SQLSMALLINT       fSqlType,
    SQLULEN           cbColDef,
    SQLSMALLINT       ibScale,
    SQLPOINTER        rgbValue,
    SQLLEN            cbValueMax,
    SQLLEN            FAR *pcbValue);
```

Function arguments

The following table lists the data type, use, and description for each argument in this function.

Table 41. SQLBindParameter() arguments

Data type	Argument	Use	Description
SQLHSTMT	<i>hstmt</i>	input	Specifies the statement handle of the statement you bind.
SQLUSMALLINT	<i>ipar</i>	input	Specifies the parameter marker number, which are ordered sequentially left to right, starting at 1.

Table 41. *SQLBindParameter()* arguments (continued)

Data type	Argument	Use	Description
SQLSMALLINT	<i>fParamType</i>	input	<p>Specifies the type of parameter. You can specify the following types of parameters:</p> <ul style="list-style-type: none"> SQL_PARAM_INPUT: The parameter marker is associated with an SQL statement that is not a stored procedure CALL; or, it marks an input parameter of the called stored procedure. <p>When the statement is executed, actual data value for the parameter is sent to the server: the <i>rgbValue</i> buffer must contain valid input data values; the <i>pcbValue</i> buffer must contain the corresponding length value, in bytes, or SQL_NTS, SQL_NULL_DATA, or (if the value should be sent using the <i>SQLParamData()</i> and <i>SQLPutData()</i> functions) SQL_DATA_AT_EXEC.</p> SQL_PARAM_INPUT_OUTPUT: The parameter marker is associated with an input/output parameter of the called stored procedure. <p>When the statement is executed, actual data value for the parameter is sent to the server: the <i>rgbValue</i> buffer must contain valid input data values; the <i>pcbValue</i> buffer must contain the corresponding length value, in bytes, or SQL_NTS, SQL_NULL_DATA, or, if the value should be sent using <i>SQLParamData()</i> and <i>SQLPutData()</i>, SQL_DATA_AT_EXEC.</p> <ul style="list-style-type: none"> SQL_PARAM_OUTPUT: The parameter marker is associated with an output parameter of the called stored procedure or the return value of the stored procedure. <p>After the statement is executed, data for the output parameter is returned to the application buffer specified by <i>rgbValue</i> and <i>pcbValue</i>, unless both are null pointers, in which case the output data is discarded.</p>

Table 41. *SQLBindParameter()* arguments (continued)

Data type	Argument	Use	Description
SQLSMALLINT	<i>fCType</i>	input	<p>Specifies the C data type of the parameter. The following types are supported:</p> <ul style="list-style-type: none"> • SQL_C_BIGINT • SQL_C_BINARY • SQL_C_BINARYXML • SQL_C_BIT • SQL_C_BLOB_LOCATOR • SQL_C_CHAR • SQL_C_CLOB_LOCATOR • SQL_C_DBCHAR • SQL_C_DBCLOB_LOCATOR • SQL_C_DECIMAL64 • SQL_C_DECIMAL128 • SQL_C_DOUBLE • SQL_C_FLOAT • SQL_C_LONG • SQL_C_SHORT • SQL_C_TYPE_DATE • SQL_C_TYPE_TIME • SQL_C_TYPE_TIMESTAMP • SQL_C_TYPE_TIMESTAMP_EXT • SQL_C_TYPE_TIMESTAMP_EXT_TZ • SQL_C_TINYINT • SQL_C_WCHAR <p>Specifying SQL_C_DEFAULT causes data to be transferred from its default C data type to the type indicated in <i>fSqlType</i>.</p>

Table 41. *SQLBindParameter()* arguments (continued)

Data type	Argument	Use	Description
SQLSMALLINT	<i>fSqlType</i>	input	<p>Specifies the SQL data type of the parameter. The supported types are:</p> <ul style="list-style-type: none"> • SQL_BIGINT • SQL_BINARY • SQL_BLOB • SQL_BLOB_LOCATOR • SQL_CHAR • SQL_CLOB • SQL_CLOB_LOCATOR • SQL_DBCLOB • SQL_DBCLOB_LOCATOR • SQL_DECFLOAT • SQL_DECIMAL • SQL_DOUBLE • SQL_FLOAT • SQL_GRAPHIC • SQL_INTEGER • SQL_LONGVARBINARY • SQL_LONGVARCHAR • SQL_LONGVARGRAPHIC • SQL_NUMERIC • SQL_REAL • SQL_ROWID • SQL_SMALLINT • SQL_TYPE_DATE • SQL_TYPE_TIME • SQL_TYPE_TIMESTAMP • SQL_TYPE_TIMESTAMP_WITH_TIMEZONE • SQL_VARBINARY • SQL_VARCHAR • SQL_VARGRAPHIC • SQL_XML <p>Restriction: SQL_BLOB_LOCATOR, SQL_CLOB_LOCATOR, and SQL_DBCLOB_LOCATOR are application related concepts and do not map to a data type for column definition during a CREATE TABLE.</p>

Table 41. *SQLBindParameter()* arguments (continued)

Data type	Argument	Use	Description
SQLINTEGER (31-bit) or SQLULEN (64-bit) ¹	<i>cbColDef</i>	input	<p>Specifies the precision of the corresponding parameter marker. The meaning of this precision depends on what data type the <i>fSqlType</i> argument denotes:</p> <ul style="list-style-type: none"> • For a binary or single-byte character string (for example, SQL_CHAR, SQL_BINARY), this is the maximum length in bytes for this parameter marker. • For a double-byte character string (for example, SQL_GRAPHIC), this is the maximum length in double-byte characters for this parameter. • For SQL_DECIMAL, SQL_NUMERIC, this is the maximum decimal precision. • For SQL_DECFLOAT, the <i>cbColDef</i> argument must specify the precision of the parameter marker, which is 16 if the column is DECFLOAT(16) or 34 if the column is DECFLOAT(34). • For SQL_ROWID, this must be set to 40, the maximum length in bytes for this data type. Otherwise, an error is returned. • Otherwise, this argument is ignored.
SQLSMALLINT	<i>ibScale</i>	input	<p>Specifies the scale of the corresponding parameter if the <i>fSqlType</i> argument is SQL_DECIMAL or SQL_NUMERIC. If the <i>fSqlType</i> argument specifies SQL_TYPE_TIMESTAMP, this is the number of digits to the right of the decimal point in the character representation of a timestamp (for example, the scale of yyyy-mm-dd hh:mm:ss.fff is 3).</p> <p>Other than the values for the <i>fSqlType</i> argument that are mentioned here, the <i>ibScale</i> argument is ignored.</p>

Table 41. *SQLBindParameter()* arguments (continued)

Data type	Argument	Use	Description
SQLPOINTER	<i>rgbValue</i>	input (deferred) , output (deferred) , or input (deferred) and output (deferred)	<p>The following characteristics apply to the <i>rgbValue</i> argument depending on whether it is an input argument, an output argument, or both:</p> <ul style="list-style-type: none"> As an input argument (when the <i>fParamType</i> argument specifies SQL_PARAM_INPUT, or SQL_PARAM_INPUT_OUTPUT), <i>rgbValue</i> exhibits the following behavior: <p>At execution time, if the <i>pcbValue</i> argument does not contain SQL_NULL_DATA or SQL_DATA_AT_EXEC, then <i>rgbValue</i> points to a buffer that contains the actual data for the parameter.</p> <p>If the <i>pcbValue</i> argument contains SQL_DATA_AT_EXEC, <i>rgbValue</i> is an application-defined 32-bit value that is associated with this parameter. This 32-bit value is returned to the application using a subsequent SQLParamData() call.</p> <p>If SQLSetStmtAttr() is called to specify multiple values for the parameter, then <i>rgbValue</i> is a pointer to an input buffer array of <i>cbValueMax</i> bytes.</p> As an output argument (when the <i>fParamType</i> argument specifies SQL_PARAM_OUTPUT, or SQL_PARAM_INPUT_OUTPUT), the <i>rgbValue</i> argument points to the buffer where the output parameter value of the stored procedure is stored. <p>If the <i>fParamType</i> argument is set to SQL_PARAM_OUTPUT, and both the <i>rgbValue</i> argument and the <i>pcbValue</i> argument specify null pointers, then the output parameter value or the return value from the stored procedure call is discarded.</p>

Table 41. *SQLBindParameter()* arguments (continued)

Data type	Argument	Use	Description
SQLINTEGER (31-bit) or SQLLEN (64-bit) ²	<i>cbValueMax</i>	input	<p>For character and binary data, the <i>cbValueMax</i> argument specifies the size, in bytes, of the buffer that the <i>rgbValue</i> argument indicates. If this buffer is a single element, this value specifies the size of that element.</p> <p>If this buffer is an array, the value specifies the size of each element in that array. Call <i>SQLSetStmtAttr()</i> to specify multiple values for each parameter. For non-character and non-binary data, this argument is ignored.</p> <p>This length is assumed to be the length that is associated with the C data type in these cases.</p> <p>For output parameters, the <i>cbValueMax</i> argument is used to determine whether to truncate character or binary output data. Data is truncated in the following manner:</p> <ul style="list-style-type: none"> • For character data, if the number of bytes available to return is greater than or equal to the value that the <i>cbValueMax</i> argument specifies, the data in the buffer to which the <i>rgbValue</i> argument points is truncated. This data is truncated to a length, in bytes, that is equivalent to the value that the <i>cbValueMax</i> argument specifies minus one byte. Truncated character data is nul-terminated (unless nul-termination has been turned off). • For binary data, if the number of bytes available to return is greater than the value that the <i>cbValueMax</i> argument specifies, the data to which the <i>rgbValue</i> argument points is truncated. This data is truncated to a length, in bytes, that is equivalent to the value that the <i>cbValueMax</i> argument specifies.

Table 41. *SQLBindParameter()* arguments (continued)

Data type	Argument	Use	Description
SQLINTEGER * (31-bit) SQLLEN * (64-bit) ²	<i>pcbValue</i>	input (deferred) , output (deferred) , or input (deferred) and output (deferred)	<p>The following characteristics apply to the <i>pcbValue</i> argument depending on whether it is an input argument, an output argument, or both:</p> <ul style="list-style-type: none"> As an input argument (when the <i>fParamType</i> argument specifies SQL_PARAM_INPUT, or SQL_PARAM_INPUT_OUTPUT), the <i>pcbValue</i> argument points to the buffer that contains the length, in bytes, of the parameter marker value (when the statement is executed) to which the <i>rgbValue</i> argument points. <p>To specify a null value for a parameter marker, this storage location must contain SQL_NULL_DATA.</p> <p>If the <i>fCType</i> argument specifies SQL_C_CHAR or SQL_C_WCHAR, the buffer to which the <i>pcbValue</i> argument points must contain either the exact length (in bytes) of the data or SQL_NTS for null-terminated strings.</p> <p>If the <i>fCType</i> argument indicates character data (explicitly, or implicitly with SQL_C_DEFAULT), and the <i>pcbValue</i> argument is set to NULL, it is assumed that the application always provides a null-terminated string in the buffer to which the <i>rgbValue</i> argument points. This null setting also implies that the parameter marker never uses null values.</p> <p>If the <i>fSqlType</i> argument indicates a graphic data type and the <i>fCType</i> argument is set to SQL_C_CHAR, you cannot set the <i>pcbValue</i> argument to NULL or point the <i>pcbValue</i> argument to a buffer that holds the value SQL_NTS. In general, for graphic data types, the value this buffer holds is the number of bytes that the double-byte data occupies. Always specify a multiple of 2 for the length of double-byte data. If you specify a value that is odd, an error occurs when the statement is executed.</p> <p>When <i>SQLExecute()</i> or <i>SQLExecDirect()</i> is called, and the <i>pcbValue</i> argument points to a value of SQL_DATA_AT_EXEC, the data for the parameter is sent with <i>SQLPutData()</i>. This parameter is referred to as a <i>data-at-execution</i> parameter.</p>

Table 41. *SQLBindParameter()* arguments (continued)

Data type	Argument	Use	Description
Continued SQLINTEGER * (31-bit) SQLLEN * (64-bit) ²	<i>pcbValue</i>	input (deferred) , output (deferred) , or input (deferred) and output (deferred)	<ul style="list-style-type: none"> If you use <code>SQLSetStmtAttr()</code> to specify multiple values for each parameter, the <i>pcbValue</i> argument points to an array of SQLINTEGER values. Each element in this array specifies the number of bytes (excluding the nul-terminator) that correspond to elements in the array that the <i>rgbValue</i> specifies, or the value SQL_NULL_DATA. <p>If you use <code>SQLBindParameter()</code>, you can specify values for SQL_UNASSIGNED and SQL_DEFAULT_PARAM in the <i>pcbValue</i> argument. These values require that you enable extended indicator support with the INI keyword EXTENDEDINDICATOR or the SQL_ATTR_EXTENDED_INDICATORS connection variable. If you specify SQL_UNASSIGNED or SQL_DEFAULT_PARAM when extended indicator support is disabled, the results are the same as specifying SQL_NULL_DATA.</p> <p>SQL_DEFAULT_PARAM The target column of the bound parameter is set to its defined DEFAULT value.</p> <p>SQL_UNASSIGNED The target column of the bound parameter is ignored for UPDATE, and MERGE UPDATE operations. The parameter is handled the same way as the DEFAULT keyword for INSERT, and MERGE INSERT operations.</p> <ul style="list-style-type: none"> As an output argument (when the <i>fParamType</i> argument is set to SQL_PARAM_OUTPUT, or SQL_PARAM_INPUT_OUTPUT), the <i>pcbValue</i> argument points to one of the following values, after the execution of the stored procedure: <ul style="list-style-type: none"> number of bytes available to return in <i>rgbValue</i>, excluding the nul-termination character. SQL_NULL_DATA SQL_NO_TOTAL if the number of bytes available to return cannot be determined.

Notes:

- For 64-bit applications, the data type SQLUINTEGER, which was used in previous versions of Db2, is still valid. However, for maximum application portability, using SQLULEN is recommended.
- For 64-bit applications, the data type SQLINTEGER, which was used in previous versions of Db2, is still valid. However, for maximum application portability, using SQLLEN is recommended.

Usage

`SQLBindParameter()` associates, or *binds*, parameter markers in an SQL statement to the following objects:

- All C type application variables or arrays of C type application variables (storage buffers). For application variables, data is transferred from your application to the database management system when you call `SQLExecute()` or `SQLExecDirect()`. This transfer converts data from the C type of the application variable to the SQL type that you specify in the `SQLBindParameter()` call.
- SQL LOB type LOB locators. For LOB data types, you transfer a LOB locator value (not the LOB data itself) to the server when you execute an SQL statement.

`SQLBindParameter()` also binds application storage to a parameter in a stored procedure CALL statement. In this type of bind, parameters can be input, output, or both input and output parameters.

Call `SQLBindParameter()` to bind parameter markers to application variables. Parameter markers are question mark characters (?) that you place in an SQL statement. When you execute a statement that contains parameter markers, each of these markers is replaced with the contents of a host variable.

`SQLBindParameter()` essentially extends the capability of the `SQLSetParam()` function by providing the following functionality:

- Can specify whether a parameter is input, output, or both input and output, which is necessary to handle parameters for stored procedures properly.
- Can specify an array of input parameter values when `SQLSetStmtAttr()` is used in conjunction with `SQLBindParameter()`. `SQLSetParam()` can still be used to bind single element application variables to parameter markers that are not part of a stored procedure CALL statement.

Use `SQLBindParameter()` to bind a parameter marker to one of the following sources:

- An application variable.
- A LOB value from the database server (by specifying a LOB locator).

Binding a parameter marker to an application variable: You must bind a variable to each parameter marker in an SQL statement before you execute that statement. In `SQLBindParameter()`, the *rgbValue* argument and the *pcbValue* argument are deferred arguments. The storage locations you provide for these arguments must be valid and contain input data values when you execute the bound statement. This requirement means that you must follow **one** of the following guidelines:

- Keep calls to `SQLExecDirect()` or `SQLExecute()` in the same procedure scope as calls to `SQLBindParameter()`.
- Dynamically allocate storage locations that you use for input or output parameters.
- Statically declare storage locations that you use for input or output parameters.
- Globally declare storage locations that you use for input or output parameters.

Binding a parameter marker to a LOB locator: When you bind LOB locators to parameter markers the database server supplies the LOB value. Your application transfers only the LOB locator value across the network.

With LOB locators, you can use `SQLGetSubString()`, `SQLGetPosition()`, or `SQLGetLength()`. `SQLGetSubString()` can return either another locator or the data itself. All locators remain valid until the end of the transaction in which you create them (even when the cursor moves to another row), or until you issue the FREE LOCATOR statement.

Obtaining information about the result set: You can call `SQLBindParameter()` before `SQLPrepare()` if you know what columns appear in the result set. Otherwise, if you do not know what columns appear in the result set, you must obtain column attributes after you prepare your query statement.

You reference parameter markers by number, which the *ipar* argument in `SQLBindParameter()` represents. Parameter markers are numbered sequentially from left to right, starting at 1.

Specifying the parameter type: The *fParamType* argument specifies the type of the parameter. All parameters in the SQL statements that do not call procedures are input parameters. Parameters in stored procedure calls can be input, input/output, or output parameters. Even though the Db2 stored procedure argument convention typically implies that all procedure arguments are input/output, the application programmer can still choose to specify the nature of input or output more exactly on the `SQLBindParameter()` to follow a more rigorous coding style. When you set the *fParamType* argument, consider the following Db2 ODBC behaviors:

- If an application cannot determine the type of a parameter in a procedure call, set the *fParamType* argument to `SQL_PARAM_INPUT`; if the data source returns a value for the parameter, Db2 ODBC discards it.

- If an application has marked a parameter as `SQL_PARAM_INPUT_OUTPUT` or `SQL_PARAM_OUTPUT` and the data source does not return a value, Db2 ODBC sets the buffer that the *pcbValue* argument specifies to `SQL_NULL_DATA`.
- If an application marks a parameter as `SQL_PARAM_OUTPUT`, data for the parameter is returned to the application after the `CALL` statement is processed. If the *rgbValue* and *pcbValue* arguments are both null pointers, Db2 ODBC discards the output value. If the data source does not return a value for an output parameter, Db2 ODBC sets the *pcbValue* buffer to `SQL_NULL_DATA`.
- When the *fParamType* argument is set to `SQL_PARAM_INPUT` or `SQL_PARAM_INPUT_OUTPUT`, the storage locations must be valid and contain input data values when the statement is executed. Because the *rgbValue* and *pcbValue* arguments are deferred arguments, you must keep either the `SQLExecDirect()` or the `SQLExecute()` call in the same procedure scope as the `SQLBindParameter()` calls, or the argument values for *rgbValue* and *pcbValue* must be dynamically allocated or statically or globally declared.

Similarly, if the *fParamType* argument is set to `SQL_PARAM_OUTPUT` or `SQL_PARAM_INPUT_OUTPUT`, the buffers that the *rgbValue* and *pcbValue* arguments specify must remain valid until the `CALL` statement is executed.

Unbinding parameter markers: All parameters that `SQLBindParameter()` binds remain bound until you perform one of the following actions:

- Call `SQLFreeHandle()` with the *HandleType* argument set to `SQL_HANDLE_STMT`.
- Call `SQLFreeStmt()` with the *fOption* argument set to `SQL_RESET_PARAMS`.
- Call `SQLBindParameter()` again for the same parameter *ipar* number.

After an SQL statement is executed, and the results processed, you might want to reuse the statement handle to execute a different SQL statement. If the parameter marker specifications are different (number of parameters, length, or type), you should call `SQLFreeStmt()` with `SQL_RESET_PARAMS` to reset or clear the parameter bindings.

The C buffer data type given by *fCType* must be compatible with the SQL data type indicated by *fSqlType*, or an error occurs.

Specifying data-at-execution parameters: An application can pass the value for a parameter either in the *rgbValue* buffer or with one or more calls to `SQLPutData()`. In calls to `SQLPutData()`, these parameters are data-at-execution parameters. The application informs Db2 ODBC of a data-at-execution parameter by placing the `SQL_DATA_AT_EXEC` value in the *pcbValue* buffer. It sets the *rgbValue* input argument to a 32-bit value which is returned on a subsequent `SQLParamData()` call and can be used to identify the parameter position.

Because the data in the variables referenced by *rgbValue* and *pcbValue* is not verified until the statement is executed, data content or format errors are not detected or reported until `SQLExecute()` or `SQLExecDirect()` is called.

Allocating buffers: For character and binary C data, the *cbValueMax* argument specifies the length (in bytes) of the *rgbValue* buffer if it is a single element; or, if the application calls `SQLSetStmtAttr()` to specify multiple values for each parameter, the *cbValueMax* argument specifies the length (in bytes) of *each* element in the *rgbValue* array, **including** the nul-terminator. If the application specifies multiple values, *cbValueMax* is used to determine the location of values in the *rgbValue* array. For all other types of C data, the *cbValueMax* argument is ignored.

You can pass the value for a parameter with either the buffer that the *rgbValue* argument specifies or one or more calls to `SQLPutData()`. In calls to `SQLPutData()`, these parameters are data-at-execution parameters. The application informs Db2 ODBC of a data-at-execution parameter by placing the `SQL_DATA_AT_EXEC` value in the *pcbValue* buffer. It sets the *rgbValue* input argument to a 32-bit value which is returned on a subsequent `SQLParamData()` call and can be used to identify the parameter position.

If the *fSqlType* argument is `SQL_ROWID`, the value for the *cbColDef* argument must be set to 40, which is the maximum length (in bytes) for a ROWID data type. If the *cbColDef* argument is not set to 40, you will receive one of the following `SQLSTATES`:

- SQLSTATE **22001** when the *cbColDef* argument is less than 40
- SQLSTATE **HY104** when the *cbColDef* argument is greater than 40

When `SQLBindParameter()` is used to bind an application variable to an output parameter for a stored procedure, Db2 ODBC can provide some performance enhancement if the *rgbValue* buffer is placed consecutively in memory after the *pcbValue* buffer. For example:

```
struct {  SQLINTEGER  pcbValue;
         SQLCHAR    rgbValue[MAX_BUFFER];
} column;
```

Handling encoding schemes: The Db2 ODBC driver determines one of the following encoding schemes for character and graphic data through the settings of the `CURRENTAPPENSCH` keyword (which appears in the initialization file) and the *fCType* argument (which you specify in `SQLBindParameter()` calls):

- The ODBC driver places EBCDIC data into application variables when both of the following conditions are true:
 - `CURRENTAPPENSCH = EBCDIC` is specified in the initialization file, the `CCSID` that is specified for the `CURRENTAPPENSCH` keyword is an EBCDIC `CCSID`, or the `CURRENTAPPENSCH` keyword is not specified in the initialization file.
 - The *fCType* argument specifies `SQL_C_CHAR` or `SQL_C_DBCHAR` in the `SQLBindParameter()` call.
- The ODBC driver places Unicode UCS-2 data into application variables when the *fCType* argument specifies `SQL_C_WCHAR` in the `SQLBindParameter()` call.
- The ODBC driver places Unicode UTF-8 data into application variables when both of the following conditions are true:
 - `CURRENTAPPENSCH = UNICODE` is specified in the initialization file, or the `CCSID` that is specified for `CURRENTAPPENSCH` is a Unicode `CCSID` (1200, 1208, 13488 or 17584).
 - The *fCType* argument specifies `SQL_C_CHAR` in the `SQLBindParameter()` call.
- The ODBC driver places ASCII data into application variables when both of the following conditions are true:
 - `CURRENTAPPENSCH = ASCII` is specified in the initialization file, or the `CCSID` that is specified for `CURRENTAPPENSCH` is an ASCII `CCSID`.
 - The *fCType* argument specifies `SQL_C_CHAR` or `SQL_C_DBCHAR` in the `SQLBindParameter()` call.

Return codes

After you call `SQLBindParameter()`, it returns one of the following values:

- `SQL_SUCCESS`
- `SQL_SUCCESS_WITH_INFO`
- `SQL_ERROR`
- `SQL_INVALID_HANDLE`

Diagnostics

The following table lists each SQLSTATE that this function generates, with a description and explanation for each value.

Table 42. *SQLBindParameter()* SQLSTATES

SQLSTATE	Description	Explanation
07006	Invalid conversion.	The conversion from the data value identified by the <i>fCType</i> argument to the data type that is identified by the <i>fSqlType</i> argument, is not a meaningful conversion. (For example, a conversion from SQL_C_TYPE_DATE to SQL_DOUBLE is not meaningful.)
08S01	Communication link failure.	The communication link between the application and data source fails before the function completes.
58004	Unexpected system failure.	An unrecoverable system error occurs.
HY001	Memory allocation failure.	Db2 ODBC is not able to allocate the required memory to support the execution or the completion of the function.
HY003	Program type out of range.	The <i>fCType</i> argument is not a valid data type or SQL_C_DEFAULT.
HY004	Invalid SQL data type.	The specified value for the <i>fSqlType</i> argument is not a valid SQL data type.
HY009	Invalid use of a null pointer.	The argument <i>OutputHandlePtr</i> is a null pointer.
HY010	Function sequence error.	The function is called after <i>SQLExecute()</i> or <i>SQLExecDirect()</i> return SQL_NEED_DATA, but data is not sent for all data-at-execution parameters.
HY013	Unexpected memory handling error.	Db2 ODBC is not able to access the memory that is required to support execution or completion of the function.
HY090	Invalid string or buffer length.	The specified value for the <i>cbValueMax</i> argument is less than 0.
HY093	Invalid parameter number.	The specified value for the <i>ipar</i> argument is less than 1.
HY094	Invalid scale value.	HY094 is returned when the specified value for the <i>fSqlType</i> is SQL_TYPE_TIMESTAMP and the value for the <i>ibScale</i> argument is less than 0 or greater than 12.
HY104	Invalid precision value.	This SQLSTATE is returned because the specified value for the <i>fSqlType</i> argument is either SQL_DECIMAL or SQL_NUMERIC, and the specified value for the <i>cbColDef</i> argument is less than 1. This SQLSTATE is returned for the following reason: <ul style="list-style-type: none"> The specified value for the <i>fCType</i> argument is SQL_C_TYPE_TIMESTAMP_EXT, the value for the <i>fSqlType</i> argument is either SQL_CHAR or SQL_VARCHAR, and the value for the <i>ibScale</i> argument is less than 0 or greater than 12.
HY105	Invalid parameter type.	The <i>fParamType</i> argument does not specify one of the following values: <ul style="list-style-type: none"> SQL_PARAM_INPUT SQL_PARAM_OUTPUT SQL_PARAM_INPUT_OUTPUT

Table 42. *SQLBindParameter()* SQLSTATEs (continued)

SQLSTATE	Description	Explanation
HYC00	Driver not capable.	<p>This SQLSTATE is returned for one or more of the following reasons:</p> <ul style="list-style-type: none"> • Db2 ODBC or the data source does not support the conversion that is specified by the combination of the specified value for the <i>fCType</i> argument and the specified value for the <i>fSqlType</i> argument. • The specified value for the <i>fSqlType</i> argument is not supported by either Db2 ODBC or the data source.

Restrictions

A new value for the *pcbValue* argument, SQL_DEFAULT_PARAM, was introduced in ODBC 2.0 to indicate that the procedure should use the default value of a parameter, rather than a value sent from the application. Because Db2 stored procedure arguments do not use default values, specification of SQL_DEFAULT_PARAM for the *pcbValue* argument results in an error when the CALL statement is executed. This error occurs because the SQL_DEFAULT_PARAM value is considered an invalid length.

ODBC 2.0 also introduced the SQL_LEN_DATA_AT_EXEC(*length*) macro to be used with the *pcbValue* argument. The macro specifies the sum total length of all character C data or all binary C data that is sent with the subsequent SQLPutData() calls. Because the Db2 ODBC driver does not need this information, the macro is not needed. To check if the driver needs this information, call SQLGetInfo() with the *InfoType* argument set to SQL_NEED_LONG_DATA_LEN. The Db2 ODBC driver returns 'N' to indicate that this information is not needed by SQLPutData().

Example

The following example shows an application that binds a variety of data types to a set of parameters.

```

/* ... */
SQLCHAR          stmt[] =
"INSERT INTO PRODUCT VALUES (?, ?, ?, ?, ?)";
SQLINTEGER       Prod_Num[NUM_PRODS] = {
    100110, 100120, 100210, 100220, 100510, 100520, 200110,
    200120, 200210, 200220, 200510, 200610, 990110, 990120,
    500110, 500210, 300100
};
SQLCHAR          Description[NUM_PRODS][257] = {
    "Aquarium-Glass-25 litres", "Aquarium-Glass-50 litres",
    "Aquarium-Acrylic-25 litres", "Aquarium-Acrylic-50 litres",
    "Aquarium-Stand-Small", "Aquarium-Stand-Large",
    "Pump-Basic-25 litre", "Pump-Basic-50 litre",
    "Pump-Deluxe-25 litre", "Pump-Deluxe-50 litre",
    "Pump-Filter-(for Basic Pump)",
    "Pump-Filter-(for Deluxe Pump)",
    "Aquarium-Kit-Small", "Aquarium-Kit-Large",
    "Gravel-Colored", "Fish-Food-Deluxe-Bulk",
    "Plastic-Tubing"
};
SQLDOUBLE        UPrice[NUM_PRODS] = {
    110.00, 190.00, 100.00, 150.00, 60.00, 90.00, 30.00,
    45.00, 55.00, 75.00, 4.75, 5.25, 160.00, 240.00,
    2.50, 35.00, 5.50
};
SQLCHAR          Units[NUM_PRODS][3] = {
    " ", " ", " ", " ", " ", " ", " ", " ", " ", " ", " ", " ",
    " ", " ", " ", " ", " ", " ", "kg", "kg", "m"
};
SQLCHAR          Combo[NUM_PRODS][2] = {
    "N", "N", "N", "N", "N", "N", "N", "N", "N",
    "N", "N", "N", "Y", "Y", "N", "N", "N"
};
SQLINTEGER       pirow = 0;
/* ... */

```

```

/* Prepare the statement */
rc = SQLPrepare(hstmt, stmt, SQL_NTS);
rc = SQLBindParameter(hstmt, 1, SQL_PARAM_INPUT, SQL_C_SLONG, SQL_INTEGER,
    0, 0, Prod_Num, 0, NULL);
rc = SQLBindParameter(hstmt, 2, SQL_PARAM_INPUT, SQL_C_CHAR, SQL_VARCHAR,
    257, 0, Description, 257, NULL);
rc = SQLBindParameter(hstmt, 3, SQL_PARAM_INPUT, SQL_C_DOUBLE, SQL_DECIMAL,
    10, 2, UPrice, 0, NULL);
rc = SQLBindParameter(hstmt, 4, SQL_PARAM_INPUT, SQL_C_CHAR, SQL_CHAR,
    3, 0, Units, 3, NULL);
rc = SQLBindParameter(hstmt, 5, SQL_PARAM_INPUT, SQL_C_CHAR, SQL_CHAR,
    2, 0, Combo, 2, NULL);
rc = SQLParamOptions(hstmt, NUM_PRODS, &pirow);
rc = SQLExecute(hstmt);
printf("Inserted %ld Rows\n", pirow);
/* ... */

```

Figure 9. An application that binds data types to parameters

Related concepts

[Using arrays to pass parameter values](#)

Db2 ODBC provides an array input method for updating Db2 tables.

[Example of binding UTF-8 data to parameter markers](#)

You can use `SQLBindParameter()` to bind application variables that contain UTF-8 data to `INTEGER`, `CHAR`, and `GRAPHIC` parameter markers.

[Data types and data conversion](#)

When you write a Db2 ODBC application, you must work with both SQL data types and C data types. The database server uses SQL data types, and the application uses C data types.

[Application encoding schemes and Db2 ODBC](#)

Unicode and ASCII are alternatives to the EBCDIC character encoding scheme. The Db2 ODBC driver supports input and output character string arguments to ODBC APIs and input and output host variable data in each of these encoding schemes.

Related reference

[SQLExecDirect\(\) - Execute a statement directly](#)

`SQLExecDirect()` prepares and executes an SQL statement in one step.

[SQLExecute\(\) - Execute a statement](#)

`SQLExecute()` executes a statement, which you successfully prepared with `SQLPrepare()`, once or multiple times. When you execute a statement with `SQLExecute()`, the current value of any application variables that are bound to parameter markers in that statement are used.

[SQLParamData\(\) - Get next parameter for which a data value is needed](#)

`SQLParamData()` is used in conjunction with `SQLPutData()` to send long data in pieces. You can also use this function to send fixed-length data.

[SQLPutData\(\) - Pass a data value for a parameter](#)

`SQLPutData()` supplies a parameter data value. This function can be used to send large parameter values in pieces. The information is returned in an SQL result set. This result set is retrieved by the same functions that process a result set that is generated by a query.

[SQLSetStmtAttr\(\) - Set statement attributes](#)

SQLSetStmtAttr() sets attributes that are related to a statement. To set an attribute for all statements that are associated with a specific connection, an application can call SQLSetConnectAttr().

SQLBulkOperations() - Add, update, delete or fetch a set of rows

SQLBulkOperations() adds new rows to the base table or view that is associated with a dynamic cursor for the current query.

ODBC specifications for SQLBulkOperations()

Table 43. SQLBulkOperations() specifications

ODBC specification level	In X/Open CLI CAE specification?	In ISO CLI specification?
3.0	Yes	Yes

Syntax

```
SQLRETURN SQLBulkOperations (
    SQLHSTMT      StatementHandle,
    SQLSMALLINT  Operation);
```

Function arguments

The following table lists the data type, use, and description for each argument in this function.

Table 44. SQLBulkOperations arguments

Data type	Argument	Use	Description
SQLHSTMT	StatementHandle	Input	Statement handle.
SQLSMALLINT	Operation	Input	Operation to perform: SQL_ADD. Db2 ODBC does not support the following operations: <ul style="list-style-type: none"> SQL_UPDATE_BY_BOOKMARK SQL_DELETE_BY_BOOKMARK SQL_FETCH_BY_BOOKMARK

Usage

Before calling SQLBulkOperations(), you need to ensure that the required bulk operation is supported. To check for support, call SQLGetInfo() with an InfoType of SQL_DYNAMIC_CURSOR_ATTRIBUTES1 or SQL_DYNAMIC_CURSOR_ATTRIBUTES2. Check the following attributes to verify that support is available:

- SQL_CA1_BULK_ADD
- SQL_CA1_BULK_UPDATE_BY_BOOKMARK
- SQL_CA1_BULK_DELETE_BY_BOOKMARK
- SQL_CA1_BULK_FETCH_BY_BOOKMARK

A column can be ignored when bulk operations are performed with SQLBulkOperations(). To ignore a column, call SQLBindCol(), and set the column length and indicator buffer (pcbValue) to SQL_COLUMN_IGNORE.

After a call to `SQLBulkOperations()`:

- The buffer to which the `SQL_ATTR_ROWS_FETCHED_PTR` statement attribute points contains the number of rows that are affected by the call.
- The row status array, to which the `SQL_ATTR_ROW_STATUS_PTR` statement attribute points, contains the result of the operation.
- The block cursor position is undefined. The application must call `SQLFetchScroll()` to set the cursor position. The application needs to call `SQLFetchScroll()` with a *FetchOrientation* argument of `SQL_FETCH_FIRST`, `SQL_FETCH_LAST`, or `SQL_FETCH_ABSOLUTE`. The cursor position is undefined if the application calls `SQLFetch()`, or calls `SQLFetchScroll()` with a *FetchOrientation* argument of `SQL_FETCH_PRIOR`, `SQL_FETCH_NEXT`, or `SQL_FETCH_RELATIVE`.

The application does *not* need to:

- Call `SQLFetch()` or `SQLFetchScroll()` before calling `SQLBulkOperations()`.
- Set the `SQL_ATTR_ROW_OPERATION_PTR` statement attribute for `SQLBulkOperations()` calls. Rows cannot be ignored when bulk operations are performed with `SQLBulkOperations()`.

When the *Operation* argument is `SQL_ADD`, and the select list of the query that is associated with the cursor contains more than one reference to the same column, an error is generated.

Row status array: The row status array contains status values for each row of data in the rowset after a call to `SQLBulkOperations()`. This array is initially populated by a call to `SQLBulkOperations()` if `SQLFetch()` or `SQLFetchScroll()` has not been called before `SQLBulkOperations()` is called. The `SQL_ATTR_ROW_STATUS_PTR` statement attribute points to the row status array. The number of elements in the row status array should equal the number of rows in the rowset, as defined by the `SQL_ATTR_ROW_ARRAY_SIZE` statement attribute.

Return codes

- `SQL_SUCCESS`
- `SQL_SUCCESS_WITH_INFO`
- `SQL_NEED_DATA`
- `SQL_STILL_EXECUTING`
- `SQL_ERROR`
- `SQL_INVALID_HANDLE`

Diagnostics

Table 45. *SQLBulkOperations* SQLSTATES

SQLSTATE	Description	Explanation
01000	Warning.	Informational message. (Function returns <code>SQL_SUCCESS_WITH_INFO</code> .)
07006	Invalid conversion.	The <i>Operation</i> argument was <code>SQL_ADD</code> , and the data value in the application buffers could not be converted to the data type of a column in the result set.
22001	String data right truncation.	The assignment of a character or binary value to a column resulted in the truncation of non-blank (for characters) or non-null (for binary) characters or bytes.
22003	Numeric value out of range.	The <i>Operation</i> argument was <code>SQL_ADD</code> . The assignment of a numeric value to a column in the result set caused the whole (as opposed to fractional) part of the number to be truncated.

Table 45. *SQLBulkOperations SQLSTATEs (continued)*

SQLSTATE	Description	Explanation
22008	Invalid datetime format or datetime field overflow.	One of the following conditions occurred: <ul style="list-style-type: none"> The <i>Operation</i> argument was SQL_ADD. The assignment of a date or timestamp value to a column in a result set caused the year, month, or day field to be out of range. The <i>Operation</i> argument was SQL_ADD. A datetime arithmetic operation on data that was sent to a column in the result set resulted in a datetime field (the year, month, day, hour, minute, or second field) of the result that was outside the permissible range of values for the field, or was invalid based on the natural rules for datetime values for the Gregorian calendar.
22018	Error in assignment.	The argument <i>Operation</i> was SQL_ADD. The data value that was assigned to a column was incompatible with the data type of the associated column in the result set.
23000	Integrity constraint violation.	An integrity constraint was violated. One of the following conditions occurred: <ul style="list-style-type: none"> The <i>Operation</i> argument was SQL_ADD. A column that was not bound is defined as NOT NULL and has no default. The <i>Operation</i> argument was SQL_ADD. The length that was specified in the bound <i>pcbValue</i> was SQL_COLUMN_IGNORE, and the column did not have a default value.
24000	Invalid cursor state.	The <i>StatementHandle</i> was in an executed state, but no result set was associated with the <i>StatementHandle</i> .
40001	Transaction rollback.	The transaction in which the fetch was executed was terminated to prevent deadlock.
40003	Statement completion unknown.	The associated connection failed during the execution of this function. The state of the transaction cannot be determined.
42xxx ¹	Syntax error or access rule violation.	These SQLSTATEs indicate one of the following errors: <ul style="list-style-type: none"> For 425xx, the authorization ID does not have permission to perform the operation that was requested in the <i>Operation</i> argument. For 42xxx, a variety of syntax or access problems with the statement occur.
44000	WITH CHECK OPTION violation.	The <i>Operation</i> argument was SQL_ADD. An insert or update was performed on a viewed table or a table that was derived from the viewed table. The viewed table was created by specifying WITH CHECK OPTION. One or more rows that were affected by the insert are no longer present in the viewed table.
HY000	General error.	An error occurred for which there was no specific SQLSTATE. The error message that was returned by SQLGetDiagRec () in the <i>*MessageText</i> buffer describes the error and its cause.

Table 45. SQLBulkOperations SQLSTATEs (continued)

SQLSTATE	Description	Explanation
HY001	Memory allocation error.	Db2 ODBC was unable to allocate memory required to support execution or completion of the function. Process-level memory might have been exhausted for the application process. Consult the operating system configuration for information on process-level memory limitations.
HY010	Function sequence error.	The function was called while in a data-at-execute (SQLParamData() or SQLPutData()) operation.
HY011	Operation invalid at this time.	The SQL_ATTR_ROW_STATUS_PTR statement attribute was set between calls to SQLFetch() or SQLFetchScroll(), and SQLBulkOperations.
HY013	Unexpected memory handling error.	Db2 ODBC was unable to access memory that was required to support execution or completion of this function.
HY090	Invalid string or buffer length.	One of the following conditions occurred: <ul style="list-style-type: none"> The <i>Operation</i> argument was SQL_ADD. A data value was a null pointer, and the column length value was not 0, SQL_DATA_AT_EXEC, SQL_COLUMN_IGNORE, SQL_NULL_DATA, or less than or equal to SQL_LEN_DATA_AT_EXEC_OFFSET. The <i>Operation</i> argument was SQL_ADD. A data value was not a null pointer. The C data type was SQL_C_BINARY or SQL_C_CHAR. The column length value was less than 0, but not equal to SQL_DATA_AT_EXEC, SQL_COLUMN_IGNORE, SQL_NTS, or SQL_NULL_DATA, or less than or equal to SQL_LEN_DATA_AT_EXEC_OFFSET.
HY092	Invalid attribute identifier.	The <i>Operation</i> argument was SQL_ADD. The SQL_ATTR_CONCURRENCY statement attribute was set to SQL_CONCUR_READ_ONLY.
HYC00	Driver not capable.	Db2 ODBC or the data source does not support the operation that was requested in the <i>Operation</i> argument.

Note:

- xxx refers to any SQLSTATE with that class code. For example, **37xxx** refers to any SQLSTATE with class code '37'.

Related concepts

[The ODBC row status array](#)

The row status array returns the status of each row in the rowset.

Related tasks

[Performing bulk inserts with SQLBulkOperations\(\)](#)

You can insert new rows into a table or view at a data source with a call to SQLBulkOperations().

[Providing long data for bulk inserts and positioned updates](#)

To provide long data for bulk inserts or positioned updates, use SQLBulkOperations() or SQLSetPos() calls.

Related reference

[SQLBindCol\(\) - Bind a column to an application variable](#)

SQLBindCol() binds a column to an application variable. You can call SQLBindCol() once for each column in a result set from which you want to retrieve data or LOB locators.

SQLFetch() - Fetch the next row

SQLFetch() advances the cursor to the next row of the result set and retrieves any bound columns. Columns can be bound to either the application storage or LOB locators.

SQLFetchScroll() - Fetch the next row

SQLFetchScroll() fetches the specified rowset of data from the result set of a query and returns data for all bound columns. Rowsets can be specified at an absolute position or a relative position.

SQLCancel() - Cancel statement

SQLCancel() terminates an SQLExecDirect() or SQLExecute() sequence prematurely.

ODBC specifications for SQLCancel()

ODBC specification level	In X/Open CLI CAE specification?	In ISO CLI specification?
1.0	Yes	Yes

Syntax

```
SQLRETURN SQLCancel (SQLHSTMT hstmt);
```

Function arguments

The following table lists the data type, use, and description for each argument in this function.

Data type	Argument	Use	Description
SQLHSTMT	<i>hstmt</i>	input	Statement handle

Usage

Use SQLCancel() to cancel the following types of processing on a statement:

- Data-at-execution sequences on the current thread.
- Functions running on the statement on another thread.

Canceling a data-at-execution sequence

After SQLExecDirect() or SQLExecute() returns SQL_NEED_DATA to solicit values for data-at-execution parameters, you can use SQLCancel() to cancel the data-at-execution sequence. You can call SQLCancel() any time before the final SQLParamData() in the sequence. After you cancel this sequence, you can call SQLExecute() or SQLExecDirect() to re-initiate the data-at-execution sequence.

If you call SQLCancel() on an statement handle that is not associated with a data-at-execution sequence, SQLCancel() has the same effect as SQLFreeHandle() with the HandleType set to SQL_HANDLE_STMT. You should not call SQLCancel() to close a cursor; instead, use SQLCloseCursor() to close cursors.

Canceling functions in multithreaded applications

When you execute a multithreaded application, you can cancel a function that is running synchronously on another thread. To cancel the function, you must call `SQLCancel()` on a different thread with the same statement handle as that used by the target function, and set the `INTERRUPT` keyword in the ODBC initialization file to either `INTERRUPT=1` (the default setting) or `INTERRUPT=2`. In Db2 ODBC, `INTERRUPT=1` and `INTERRUPT=2` exhibit the same behavior, which is set to always drop the connection on a `SQLCancel()`. After you call `SQLCancel()`, Db2 ODBC sets the return code to either `SQL_SUCCESS` or `SQL_ERROR` (no `SQLSTATE`) to indicate whether the cancel request was processed successfully. If the request was successful, the connection associated with the statement handle is dropped and the canceled function returns `SQLCODE -924` and `SQLSTATE 58006`. In order for the statement handle to process additional database requests, you must establish a new connection with the database server.

If an SQL statement is being executed when `SQLCancel()` is called on another thread to cancel the statement execution, it is possible for the execution to succeed and return `SQL_SUCCESS` while the cancel is also successful. In this case, the connection associated with the statement is dropped regardless of the return code, so you will not be able to process additional database requests on that statement until you re-establish the connection.

Return codes

After you call `SQLCancel()`, it returns one of the following values:

- `SQL_SUCCESS`
- `SQL_INVALID_HANDLE`
- `SQL_ERROR`

Diagnostics

The following table lists each `SQLSTATE` that this function generates, with a description and explanation for each value.

Table 48. `SQLCancel()` `SQLSTATE`s

SQLSTATE	Description	Explanation
08S01	Communication link failure.	The communication link between the application and data source fails before the function completes.
HY001	Memory allocation failure.	Db2 ODBC is not able to allocate the required memory to support the execution or the completion of the function.
HY013	Unexpected memory handling error.	Db2 ODBC is not able to access the memory that is required to support execution or completion of the function.

Restrictions

Db2 ODBC does not support asynchronous statement execution.

Related concepts

[Input and retrieval of long data in pieces](#)

When an application must manipulate long data values, loading the entire values into storage can become impractical. For this reason, Db2 ODBC provides a technique that enables you to handle long data values in pieces.

Related reference

[SQLParamData\(\)](#) - Get next parameter for which a data value is needed

`SQLParamData()` is used in conjunction with `SQLPutData()` to send long data in pieces. You can also use this function to send fixed-length data.

[SQLPutData\(\)](#) - Pass a data value for a parameter

SQLPutData() supplies a parameter data value. This function can be used to send large parameter values in pieces. The information is returned in an SQL result set. This result set is retrieved by the same functions that process a result set that is generated by a query.

Function return codes

Every ODBC function returns a return code that indicates whether the function invocation succeeded or failed.

Db2 ODBC initialization keywords

Db2 ODBC initialization keywords control the run time environment for Db2 ODBC applications.

Related information

[-924 \(Db2 Codes\)](#)

SQLCloseCursor() - Close a cursor and discard pending results

SQLCloseCursor() closes a cursor that has been opened on a statement and discards pending results.

ODBC specifications for SQLCloseCursor()

ODBC specification level	In X/Open CLI CAE specification?	In ISO CLI specification?
3.0	Yes	Yes

Syntax

```
SQLRETURN SQLCloseCursor (SQLHSTMT StatementHandle);
```

Function arguments

The following table lists the data type, use, and description for each argument in this function.

Data type	Argument	Use	Description
SQLHSTMT	<i>StatementHandle</i>	input	Statement handle.

Usage

SQLCloseCursor() closes a cursor that has been opened on a statement and discards pending results. After an application calls SQLCloseCursor(), the application can reopen the cursor by executing a SELECT statement again with the same or different parameter values. When the cursor is reopened, the application uses the same statement handle.

SQLCloseCursor() returns SQLSTATE **24000** (invalid cursor state) if no cursor is open. Calling SQLCloseCursor() is equivalent to calling the ODBC 2.0 function SQLFreeStmt() with *fOption* argument set to SQL_CLOSE. An exception is that SQLFreeStmt() with SQL_CLOSE has no effect on the application if no cursor is open on the statement, whereas SQLCloseCursor() returns SQLSTATE **24000** (invalid cursor state).

Return codes

After you call SQLCloseCursor(), it returns one of the following values:

- SQL_SUCCESS
- SQL_SUCCESS_WITH_INFO

- SQL_INVALID_HANDLE
- SQL_ERROR

Diagnostics

The following table lists each SQLSTATE that this function generates, with a description and explanation for each value.

Table 51. `SQLCloseCursor()` SQLSTATES

SQLSTATE	Description	Explanation
01000	Warning.	Informational message. (<code>SQLCloseCursor()</code> returns <code>SQL_SUCCESS_WITH_INFO</code> for this SQLSTATE.)
24000	Invalid cursor state.	No cursor is open on the statement handle.
HY000	General error.	An error occurred for which no specific SQLSTATE applies. The error message that <code>SQLGetDiagRec()</code> returns in the buffer that the <i>MessageText</i> argument specifies, describes this error and its cause.
HY001	Memory allocation failure.	Db2 ODBC is unable to allocate memory that is required execute or complete the function.
HY010	Function sequence error.	<code>SQLExecute()</code> or <code>SQLExecDirect()</code> are called on the statement handle and return <code>SQL_NEED_DATA</code> . <code>SQLCloseCursor()</code> is called before data was sent for all data-at-execution parameters or columns. Invoke <code>SQLCancel()</code> to cancel the data-at-execution condition.
HY013	Unexpected memory handling error.	Db2 ODBC is unable to access memory that is required to support execution or completion of the function.

Example

The following lines of code close the cursor on statement handle `hstmt`:

```
rc=SQLCloseCursor(hstmt);
CHECK_HANDLE( SQL_HANDLE_STMT, hstmt, rc );
```

Related reference

[SQLGetConnectAttr\(\)](#) - Get current attribute setting

`SQLGetConnectAttr()` returns the current setting of a connection attribute and also allows you to set these attributes.

Function return codes

Every ODBC function returns a return code that indicates whether the function invocation succeeded or failed.

[SQLSetConnectAttr\(\)](#) - Set connection attributes

`SQLSetConnectAttr()` sets attributes that govern aspects of connections.

[SQLSetStmtAttr\(\)](#) - Set statement attributes

SQLSetStmtAttr() sets attributes that are related to a statement. To set an attribute for all statements that are associated with a specific connection, an application can call SQLSetConnectAttr().

SQLColAttribute() - Get column attributes

SQLColAttribute() returns descriptor information about a column in a result set. Descriptor information is returned as a character string, a 32-bit descriptor-dependent value, or an integer value.

ODBC specifications for SQLColAttribute()

ODBC specification level	In X/Open CLI CAE specification?	In ISO CLI specification?
3.0	Yes	Yes

Syntax

```
SQLRETURN SQLColAttribute (SQLHSTMT      StatementHandle,
                           SQLSMALLINT   ColumnNumber,
                           SQLSMALLINT   FieldIdentifier,
                           SQLPOINTER    CharacterAttributePtr,
                           SQLSMALLINT   BufferLength,
                           SQLSMALLINT   *StringLengthPtr,
                           SQLPOINTER    NumericAttributePtr);
```

Function arguments

The following table lists the data type, use, and description for each argument in this function.

Data type	Argument	Use	Description
SQLHSTMT	StatementHandle	input	Statement handle.
SQLSMALLINT	ColumnNumber	input	Number of the column you want to be described. Columns are numbered sequentially from left to right, starting at 1. Column zero might not be defined. The Db2 ODBC 3.0 driver does not support bookmarks. See Restrictions .
SQLSMALLINT	FieldIdentifier	input	The field in row ColumnNumber that is to be returned. See Table 54 on page 136 .
SQLPOINTER	CharacterAttributePtr	output	Pointer to a buffer in which to return the value in the FieldIdentifier field of the ColumnNumber row if the field is a character string. Otherwise, this field is ignored.
SQLSMALLINT	BufferLength	input	The length, in bytes, of the buffer you specified for the *CharacterAttributePtr argument, if the field is a character string. Otherwise, this field is ignored.

Table 53. *SQLColAttribute()* arguments (continued)

Data type	Argument	Use	Description
SQLSMALLINT *	<i>StringLengthPtr</i>	output	<p>Pointer to a buffer in which to return the total number of bytes (excluding the nul-termination character) that are available to return in <i>*CharacterAttributePtr</i>.</p> <p>For character data, if the number of bytes that are available to return is greater than or equal to <i>BufferLength</i>, the descriptor information in <i>*CharacterAttributePtr</i> is truncated to <i>BufferLength</i> minus the length (in bytes) of a nul-termination character. Db2 ODBC then nul-terminates the value.</p> <p>For all other types of data, the value of <i>BufferLength</i> is ignored, and Db2 ODBC assumes that the size of <i>*CharacterAttributePtr</i> is 32 bits.</p>
SQLPOINTER	<i>NumericAttributePtr</i>	output	<p>Pointer to an integer buffer in which to return the value in the <i>FieldIdentifier</i> field of the <i>ColumnNumber</i> row, if the field is a numeric descriptor type, such as SQL_DESC_LENGTH. Otherwise, this field is ignored.</p>

Usage

SQLColAttribute() returns information in either **NumericAttributePtr* or **CharacterAttributePtr*. Integer information is returned in **NumericAttributePtr* as a 32-bit, signed value; all other formats of information are returned in **CharacterAttributePtr*. When information is returned in **NumericAttributePtr*, Db2 ODBC ignores *CharacterAttributePtr*, *BufferLength*, and *StringLengthPtr*. When information is returned in **CharacterAttributePtr*, Db2 ODBC ignores *NumericAttributePtr*.

SQLColAttribute() allows access to the more extensive set of descriptor information that is available in ANSI ANSI/ISO SQL standard of 1992 and database management system vendor extensions. *SQLColAttribute()* is a more extensible alternative to the *SQLDescribeCol()* function, but that function can return only one attribute per call.

Db2 ODBC must return a value for each of the descriptor types. If a descriptor type does not apply to a data source, Db2 ODBC returns 0 in **StringLengthPtr* or an empty string in **CharacterAttributePtr* unless otherwise stated.

The following table lists the descriptor types that are returned by ODBC 3.0 *SQLColAttribute()*, along with the ODBC 2.0 *SQLColAttributes()* attribute values (in parentheses) that were replaced or renamed.

Table 54. *SQLColAttribute()* field identifiers

Field identifier	Information returned in arguments	Description
SQL_DESC_AUTO_UNIQUE_VALUE (SQL_COLUMN_AUTO_INCREMENT) ¹	<i>NumericAttributePtr</i>	Indicates whether the column data type automatically increments. SQL_FALSE is returned in <i>NumericAttributePtr</i> for all Db2 SQL data types.
SQL_DESC_BASE_COLUMN_NAME	<i>CharacterAttributePtr</i>	The base column name for the set column. If a base column name does not exist (for example, columns that are expressions), this variable contains an empty string.

Table 54. *SQLColAttribute()* field identifiers (continued)

Field identifier	Information returned in arguments	Description
SQL_DESC_BASE_TABLE_NAME	<i>CharacterAttributePtr</i>	The name of the base table that contains the column. If the base table name cannot be defined or is not applicable, this variable contains an empty string.
SQL_DESC_CASE_SENSITIVE (SQL_COLUMN_CASE_SENSITIVE) ¹	<i>NumericAttributePtr</i>	Indicates if the column data type is case sensitive. Either SQL_TRUE or SQL_FALSE is returned in <i>NumericAttributePtr</i> , depending on the data type. Case sensitivity does not apply to graphic data types. SQL_FALSE is returned for non-character data types and for the XML data type.
SQL_DESC_CATALOG_NAME (SQL_COLUMN_CATALOG_NAME) ¹ (SQL_COLUMN_QUALIFIER_NAME) ¹	<i>CharacterAttributePtr</i>	The name of the catalog table that contains the column. An empty string is returned because Db2 ODBC supports two-part naming for a table.
SQL_DESC_CONCISE_TYPE	<i>CharacterAttributePtr</i>	The concise data type. For datetime data types, this field returns the concise data type, such as SQL_TYPE_TIME.
SQL_DESC_COUNT (SQL_COLUMN_COUNT) ¹	<i>NumericAttributePtr</i>	The number of columns in the result set.
SQL_DESC_DISPLAY_SIZE (SQL_COLUMN_DISPLAY_SIZE) ¹	<i>NumericAttributePtr</i>	The maximum number of bytes that are needed to display the data in character form.
SQL_DESC_DISTINCT_TYPE (SQL_COLUMN_DISTINCT_TYPE) ¹	<i>CharacterAttributePtr</i>	The distinct type name that is used for a column. If the column is a built-in SQL type and not a distinct type, an empty string is returned. IBM specific: This is an IBM-defined extension to the list of descriptor attributes as defined by ODBC.
SQL_DESC_FIXED_PREC_SCALE (SQL_COLUMN_MONEY) ¹	<i>NumericAttributePtr</i>	SQL_TRUE if the column has a fixed precision and nonzero scale that are data-source-specific. This value is SQL_FALSE if the column does not have a fixed precision and nonzero scale that are data-source-specific. SQL_FALSE is returned in <i>NumericAttributePtr</i> for all Db2 SQL data types.
SQL_DESC_LABEL (SQL_COLUMN_LABEL) ¹	<i>CharacterAttributePtr</i>	The column label. If the column does not have a label, the column name or the column expression is returned. If the column is not labeled or named, an empty string is returned.

Table 54. *SQLColAttribute()* field identifiers (continued)

Field identifier	Information returned in arguments	Description
SQL_DESC_LENGTH	<i>NumericAttributePtr</i>	A numeric value that is either the maximum or actual length, in bytes, of a character string or binary data type. This value is the maximum length for a fixed-length data type, or the actual length for a varying-length data type. This value always excludes the nul-termination character that ends the character string. This value is 0 for the XML data type.
SQL_DESC_LITERAL_PREFIX	<i>CharacterAttributePtr</i>	A VARCHAR(128) record field that contains the character or characters that Db2 ODBC recognizes as a prefix for a literal of this data type. This field contains an empty string if a literal prefix is not applicable to this data type.
SQL_DESC_LITERAL_SUFFIX	<i>CharacterAttributePtr</i>	A VARCHAR(128) record field that contains the character or characters that Db2 ODBC recognizes as a suffix for a literal of this data type. This field contains an empty string if a literal suffix is not applicable to this data type.
SQL_DESC_LOCAL_TYPE_NAME	<i>CharacterAttributePtr</i>	A VARCHAR(128) record field that contains any localized (native language) name for the data type that might be different from the regular name of the data type. If a localized name does not exist, an empty string is returned. This field is for display purposes only. The character set of the string is location dependent; it is typically the default character set of the server.
SQL_DESC_NAME (SQL_COLUMN_NAME) ¹	<i>CharacterAttributePtr</i>	<p>The name of the column specified with <i>ColumnNumber</i>. If the column is an expression, the column number is returned.</p> <p>In either case, SQL_DESC_UNNAMED is set to SQL_NAMED. If the column is unnamed or has no alias, an empty string is returned and SQL_DESC_UNNAMED is set to SQL_UNNAMED.</p>
SQL_DESC_NULLABLE (SQL_COLUMN_NULLABLE) ¹	<i>NumericAttributePtr</i>	If the column that is identified by <i>ColumnNumber</i> can contain null values, SQL_NULLABLE is returned. If the column cannot accept null values, SQL_NO_NULLS is returned.

Table 54. *SQLColAttribute()* field identifiers (continued)

Field identifier	Information returned in arguments	Description
SQL_DESC_NUM_PREC_RADIX	<i>NumericAttributePtr</i>	<p>The precision of each digit in a numeric value. The following values are commonly returned:</p> <ul style="list-style-type: none"> • If the data type in the SQL_DESC_TYPE field is an approximate data type, this SQLINTEGER field contains a value of 2 because the SQL_DESC_PRECISION field contains the number of bits. • If the data type in the SQL_DESC_TYPE field is an exact numeric data type, this field contains a value of 10 because the SQL_DESC_PRECISION field contains the number of decimal digits. • This field is set to 0 for all nonnumeric data types.
SQL_DESC_OCTET_LENGTH (SQL_COLUMN_LENGTH) ¹	<i>NumericAttributePtr</i>	<p>The number of bytes of data that is associated with the column. This is the length in bytes of data that is transferred on the fetch or SQLGetData() for this column if SQL_C_DEFAULT is specified as the C data type.</p> <p>If the column that is identified in <i>ColumnNumber</i> is a fixed-length character or binary string, (for example, SQL_CHAR or SQL_BINARY), the actual length is returned.</p> <p>If the column that is identified in <i>ColumnNumber</i> is a varying-length character or binary string, (for example, SQL_VARCHAR or SQL_BLOB), the maximum length is returned.</p>

Table 54. *SQLColAttribute()* field identifiers (continued)

Field identifier	Information returned in arguments	Description
SQL_DESC_PRECISION (SQL_COLUMN_PRECISION) ¹	<i>NumericAttributePtr</i>	<p>The precision in units of digits if the column is:</p> <ul style="list-style-type: none"> • SQL_BIGINT • SQL_DECIMAL • SQL_NUMERIC • SQL_DOUBLE • SQL_FLOAT • SQL_DECFLOAT • SQL_INTEGER • SQL_REAL • SQL_SMALLINT <p>If the column is a character SQL data type, the precision that is returned indicates the maximum number of characters that the column can hold.</p> <p>If the column is a graphic SQL data type, the precision indicates the maximum number of double-byte characters that the column can hold.</p> <p>If the column is the XML data type, the precision is 0.</p>
SQL_DESC_SCALE (SQL_COLUMN_SCALE) ¹	<i>NumericAttributePtr</i>	The scale attribute of the column.
SQL_DESC_SCHEMA_NAME (SQL_COLUMN_OWNER_NAME) ¹	<i>CharacterAttributePtr</i>	The schema of the table that contains the column. An empty string is returned; Db2 is not able to determine this attribute.
SQL_DESC_SEARCHABLE (SQL_COLUMN_SEARCHABLE) ¹	<i>NumericAttributePtr</i>	<p>Indicates if the column data type is searchable:</p> <ul style="list-style-type: none"> • SQL_PRED_NONE (SQL_UNSEARCHABLE in ODBC 2.0) if the column cannot be used in a WHERE clause. • SQL_PRED_CHAR (SQL_LIKE_ONLY in ODBC 2.0) if the column can be used in a WHERE clause only with the LIKE predicate. • SQL_PRED_BASIC (SQL_ALL_EXCEPT_LIKE in ODBC 2.0) if the column can be used in a WHERE clause with all comparison operators except LIKE. • SQL_SEARCHABLE if the column can be used in a WHERE clause with any comparison operator.

Table 54. *SQLColAttribute()* field identifiers (continued)

Field identifier	Information returned in arguments	Description
SQL_DESC_TABLE_NAME (SQL_COLUMN_TABLE_NAME) ¹	<i>CharacterAttributePtr</i>	The name of the table that contains the column. An empty string is returned; Db2 ODBC cannot determine this attribute.
SQL_DESC_TYPE (SQL_COLUMN_TYPE) ¹	<i>NumericAttributePtr</i>	The SQL data type of the column. For the datetime data types, this field returns the verbose data type, such as SQL_DATETIME.
SQL_DESC_TYPE_NAME (SQL_COLUMN_TYPE_NAME) ¹	<i>CharacterAttributePtr</i>	The type of the column (specified in an SQL statement).
SQL_DESC_UNNAMED	<i>NumericAttributePtr</i>	Returns SQL_NAMED or SQL_UNNAMED. If the SQL_DESC_NAME contains a column name, SQL_NAMED is returned. If the column is unnamed, SQL_UNNAMED is returned.
SQL_DESC_UNSIGNED (SQL_COLUMN_UNSIGNED) ¹	<i>NumericAttributePtr</i>	Indicates if the column data type is an unsigned type. SQL_TRUE is returned in <i>NumericAttributePtr</i> for all nonnumeric data types. SQL_FALSE is returned for all numeric data types.
SQL_DESC_UPDATABLE (SQL_COLUMN_UPDATABLE) ¹	<i>NumericAttributePtr</i>	Indicates if the column data type is a data type that can be updated: <ul style="list-style-type: none"> • SQL_ATTR_READWRITE_UNKNOWN is returned in <i>NumericAttributePtr</i> for all Db2 SQL data types. • SQL_ATTR_READONLY is returned if the column is obtained from a catalog function call. ODBC also defines the following values, however Db2 ODBC does not return these values: <ul style="list-style-type: none"> – SQL_DESC_UPDATABLE – SQL_UPDT_WRITE

Note:

1. These descriptor values (values for argument *fDescType*) are for the deprecated ODBC 2.0 *SQLColAttributes()* API. Both *SQLColAttribute()* and *SQLColAttributes()* support these values.

Return codes

After you call *SQLColAttribute()*, it returns one of the following values:

- SQL_SUCCESS
- SQL_SUCCESS_WITH_INFO
- SQL_INVALID_HANDLE
- SQL_ERROR

Diagnostics

The following table lists each SQLSTATE that this function generates, with a description and explanation for each value.

Table 55. *SQLColAttribute()* SQLSTATES

SQLSTATE	Description	Explanation
01000	Warning.	Informational message. (<i>SQLColAttribute()</i> returns <code>SQL_SUCCESS_WITH_INFO</code> for this SQLSTATE.)
01004	Data truncated.	The buffer to which the <i>CharacterAttributePtr</i> argument points is not large enough to return the entire string value, so the string value was truncated. The length, in bytes, of the untruncated string value is returned in the buffer to which the <i>StringLengthPtr</i> argument points. (<i>SQLColumnAttribute()</i> returns <code>SQL_SUCCESS_WITH_INFO</code> for this SQLSTATE.)
07005	The statement did not return a result set.	The statement that is associated with the <i>StatementHandle</i> argument did not return a result set. There are no columns to describe.
HY000	General error.	An error occurred for which there is no specific SQLSTATE. The error message that is returned by <i>SQLGetDiagRec()</i> in the buffer to which the <i>MessageText</i> argument points, describes the error and its cause.
HY001	Memory allocation failure.	Db2 ODBC is not able to allocate memory that is required to support execution or completion of the function.
HY002	Invalid column number.	The value that is specified for the <i>ColumnNumber</i> argument is less than 0, or greater than the number of columns in the result set.
HY010	Function sequence error.	This SQLSTATE is returned for one or more of the following reasons: <ul style="list-style-type: none">• The function is called prior to <i>SQLPrepare()</i> or <i>SQLExecDirect()</i> for the statement handle that the <i>StatementHandle</i> argument specifies.• <i>SQLExecute()</i> or <i>SQLExecDirect()</i> is called for the statement handle that the <i>StatementHandle</i> argument specifies and returns <code>SQL_NEED_DATA</code>. <i>SQLColAttribute()</i> is called before data is sent for all data-at-execution parameters or columns.
HY090	Invalid string or buffer length.	The value that is specified for the <i>BufferLength</i> argument is less than 0.
HY091	Descriptor type out of range.	The value that is specified for the <i>FieldIdentifier</i> argument is neither one of the defined values nor an implementation-defined value.
HYC00	Driver not capable.	Db2 ODBC does not support the specified value for the <i>FieldIdentifier</i> argument.

Restrictions

ColumnNumber zero might not be defined. The Db2 ODBC 3.0 driver does not support bookmarks.

Example

Refer to `SQLColAttribute()` for a related example. In this example, `SQLColAttribute()` retrieves the display length for a column.

Related reference

C and SQL data types

Db2 ODBC defines a set of SQL symbolic data types. Each SQL symbolic data type has a corresponding default C data type.

Display size of SQL data types

The display size of a column is the maximum number of bytes that are needed to display data in character form.

Length of SQL data types

The length of a column is the maximum number of bytes that are returned to the application when data is transferred to its default C data type.

Precision of SQL data types

The precision of a numeric column or parameter refers to the maximum number of digits that are used by the data type of the column or parameter. The precision of a non-numeric column or parameter generally refers to the maximum length or the defined length of the column or parameter.

Scale of SQL data types

The scale of a numeric column or parameter refers to the maximum number of digits to the right of the decimal point. For approximate floating-point number columns or parameters, the scale is undefined because the number of digits to the right of the decimal place is not fixed.

SQLBindCol() - Bind a column to an application variable

`SQLBindCol()` binds a column to an application variable. You can call `SQLBindCol()` once for each column in a result set from which you want to retrieve data or LOB locators.

SQLDescribeCol() - Describe column attributes

`SQLDescribeCol()` returns commonly used descriptor information about a column in a result set that a query generates. Before you call this function, you must call either `SQLPrepare()` or `SQLExecDirect()`.

SQLExtendedFetch() - Fetch an array of rows

`SQLExtendedFetch()` extends the function of `SQLFetch()` by returning a *row set* array for each bound column. The value the `SQL_ATTR_ROWSET_SIZE` statement attribute determines the size of the row set that `SQLExtendedFetch()` returns.

SQLFetch() - Fetch the next row

`SQLFetch()` advances the cursor to the next row of the result set and retrieves any bound columns. Columns can be bound to either the application storage or LOB locators.

Function return codes

Every ODBC function returns a return code that indicates whether the function invocation succeeded or failed.

SQLColAttributes() - Get column attributes

`SQLColAttributes()` is a deprecated function and is replaced by `SQLColAttribute()`.

ODBC specifications for SQLColAttributes()

ODBC specification level	In X/Open CLI CAE specification?	In ISO CLI specification?
1.0 (Deprecated)	No	No

Syntax

```
SQLRETURN SQLColAttributes (SQLHSTMT          hstmt,
                            SQLUSMALLINT       icol,
                            SQLUSMALLINT       fDescType,
                            SQLPOINTER         rgbDesc,
                            SQLSMALLINT        cbDescMax,
                            SQLSMALLINT FAR    *pcbDesc,
                            SQLINTEGER FAR     *pfDesc);
```

Function arguments

The following table lists the data type, use, and description for each argument in this function.

Table 57. *SQLColAttributes()* arguments

Data type	Argument	Use	Description
SQLHSTMT	<i>hstmt</i>	input	Statement handle.
SQLUSMALLINT	<i>icol</i>	input	Column number in the result set (must be between 1 and the number of columns in the result set, inclusive). This argument is ignored when SQL_COLUMN_COUNT is specified.
SQLUSMALLINT	<i>fDescType</i>	input	The supported values are described in the <i>SQLColAttribute()</i> function description.
SQLCHAR *	<i>rgbDesc</i>	output	Pointer to buffer for string column attributes.
SQLSMALLINT	<i>cbDescMax</i>	input	Specifies the length, in bytes, of <i>rgbDesc</i> descriptor buffer.
SQLSMALLINT *	<i>pcbDesc</i>	output	Actual number of bytes that are returned in <i>rgbDesc</i> buffer. If this argument contains a value equal to or greater than the length that is specified in <i>cbDescMax</i> , truncation occurred. The column attribute value is then truncated to <i>cbDescMax</i> bytes, minus the size of the nul-terminator (or to <i>cbDescMax</i> bytes if nul-termination is off).
SQLINTEGER *	<i>pfDesc</i>	output	Pointer to an integer that holds the value of numeric column attributes.

Related reference

[SQLColAttribute\(\)](#) - Get column attributes

SQLColAttribute() returns descriptor information about a column in a result set. Descriptor information is returned as a character string, a 32-bit descriptor-dependent value, or an integer value.

SQLColumnPrivileges() - Get column privileges

SQLColumnPrivileges() returns a list of columns and associated privileges for the specified table. The information is returned in an SQL result set. You can retrieve the result set by using the same functions that you use to process a result set that a query generates.

ODBC specifications for SQLColumnPrivileges()

ODBC specification level	In X/Open CLI CAE specification?	In ISO CLI specification?
1.0	No	No

Syntax

```
SQLRETURN SQLColumnPrivileges (SQLHSTMT      hstmt,
                               SQLCHAR        FAR szCatalogName,
                               SQLSMALLINT     cbCatalogName,
                               SQLCHAR        FAR szSchemaName,
                               SQLSMALLINT     cbSchemaName,
                               SQLCHAR        FAR szTableName,
                               SQLSMALLINT     cbTableName,
                               SQLCHAR        FAR szColumnName,
                               SQLSMALLINT     cbColumnName);
```

Function arguments

Table 59 on page 145 lists the data type, use, and description for each argument in this function.

Table 59. *SQLColumnPrivileges()* arguments

Data type	Argument	Use	Description
SQLHSTMT	<i>hstmt</i>	input	Statement handle.
SQLCHAR *	<i>szCatalogName</i>	input	Catalog qualifier of a three-part table name. This must be a null pointer or a zero-length string.
SQLSMALLINT	<i>cbCatalogName</i>	input	Specifies the length, in bytes, of <i>szCatalogName</i> . This must be set to 0.
SQLCHAR *	<i>szSchemaName</i>	input	Schema qualifier of table name.
SQLSMALLINT	<i>cbSchemaName</i>	input	The length, in bytes, of <i>szSchemaName</i> .
SQLCHAR *	<i>szTableName</i>	input	Table name.
SQLSMALLINT	<i>cbTableName</i>	input	The length, in bytes, of <i>szTableName</i> .
SQLCHAR *	<i>szColumnName</i>	input	Buffer that can contain a pattern-value to qualify the result set by column name.
SQLSMALLINT	<i>cbColumnName</i>	input	The length, in bytes, of <i>szColumnName</i> .

Usage

The results are returned as a standard result set that contains the columns listed in [Table 60 on page 146](#). The result set is ordered by TABLE_CAT, TABLE_SCHEM, TABLE_NAME, COLUMN_NAME, and PRIVILEGE. If multiple privileges are associated with any given column, each privilege is returned as a separate row. Typically, you call this function after a call to `SQLColumns()` to determine column privilege information. The application should use the character strings that are returned in the TABLE_SCHEM, TABLE_NAME, and COLUMN_NAME columns of the `SQLColumns()` result set as input arguments to this function.

Because calls to `SQLColumnPrivileges()` frequently result in a complex and thus expensive query to the catalog, use these calls sparingly, and save the results rather than repeat the calls.

The VARCHAR columns of the catalog functions result set are declared with a maximum length attribute of 128 bytes (which is consistent with ANSI/ISO SQL standard of 1992 limits). Because Db2 names are shorter than 128 characters, the application can choose to always set aside 128 characters (plus the nul-terminator) for the output buffer. You can alternatively call `SQLGetInfo()` with the *InfoType* argument set to each of the following values:

- `SQL_MAX_CATALOG_NAME_LEN`, to determine the length of TABLE_CAT columns that the connected database management system supports
- `SQL_MAX_SCHEMA_NAME_LEN`, to determine the length of TABLE_SCHEM columns that the connected database management system supports

- `SQL_MAX_TABLE_NAME_LEN`, to determine the length of `TABLE_NAME` columns that the connected database management system supports
- `SQL_MAX_COLUMN_NAME_LEN`, to determine the length of `COLUMN_NAME` columns that the connected database management system supports

Note that the `szColumnName` argument accepts a search pattern.

Although new columns might be added and the names of the existing columns might change in future releases, the position of the current columns will remain unchanged. The following table lists the columns in the result set that `SQLColumnPrivileges()` currently returns.

Table 60. Columns returned by `SQLColumnPrivileges()`

Column number	Column name	Data type	Description
1	TABLE_CAT	VARCHAR(128)	Always null.
2	TABLE_SCHEM	VARCHAR(128)	Indicates the name of the schema that contains TABLE_NAME.
3	TABLE_NAME	VARCHAR(128) not NULL	Indicates the name of the table or view.
4	COLUMN_NAME	VARCHAR(128) not NULL	Indicates the name of the column of the specified table or view.
5	GRANTOR	VARCHAR(128)	Indicates the authorization ID of the user who granted the privilege.
6	GRANTEE	VARCHAR(128)	Indicates the authorization ID of the user to whom the privilege is granted.
7	PRIVILEGE	VARCHAR(128)	<p>Indicates the column privilege. This can be:</p> <ul style="list-style-type: none"> • ALTER • CONTROL • DELETE • INDEX • INSERT • REFERENCES • SELECT • UPDATE <p>Supported privileges are based on the data source to which you are connected.</p> <p>Most IBM relational database management systems do not offer column-level privileges at the column level. Db2 for z/OS and Db2 server for VSE and VM support the UPDATE column privilege; each updatable column receives one row in this result set. For all other privileges for Db2 for z/OS and Db2 server for VSE and VM, and for all privileges for other IBM relational database management systems, if a privilege has been granted at the table level, a row is present in this result set.</p>
8	IS_GRANTABLE	VARCHAR(3)	<p>Indicates whether the grantee is permitted to grant the privilege to other users.</p> <p>Either "YES" or "NO".</p>

The column names that Db2 ODBC uses follow the X/Open CLI CAE specification style. The column types, contents, and order are identical to those that are defined for the `SQLColumnPrivileges()` result set in ODBC.

If more than one privilege is associated with a column, each privilege is returned as a separate row in the result set.

Return codes

After you call `SQLColumnPrivileges()`, it returns one of the following values:

- `SQL_SUCCESS`
- `SQL_SUCCESS_WITH_INFO`
- `SQL_ERROR`
- `SQL_INVALID_HANDLE`

Diagnostics

Table 61 on page 147 lists each `SQLSTATE` that this function generates, with a description and explanation for each value.

Table 61. `SQLColumnPrivileges()` `SQLSTATEs`

SQLSTATE	Description	Explanation
08S01	Communication link failure.	The communication link between the application and data source fails before the function completes.
24000	Invalid cursor state.	A cursor is open on the statement handle.
HY001	Memory allocation failure.	Db2 ODBC is not able to allocate the required memory to support the execution or the completion of the function.
HY009	Invalid use of a null pointer.	The <code>szTableName</code> argument is null.
HY014	No more handles.	Db2 ODBC is not able to allocate a handle due to low internal resources.
HY090	Invalid string or buffer length.	The value of one of the name length arguments is less than 0 and not equal to <code>SQL_NTS</code> .
HYC00	Driver not capable.	Db2 ODBC does not support "catalog" as a qualifier for table name.

Example

The following example shows an application that prints a list of column privileges for a table.

```

/* ... */
SQLRETURN
list_column_privileges(SQLHDBC hdbc, SQLCHAR *schema, SQLCHAR *tablename )
{
/* ... */
rc = SQLColumnPrivileges(hstmt, NULL, 0, schema, SQL_NTS,
                        tablename, SQL_NTS, columnname.s, SQL_NTS);
rc = SQLBindCol(hstmt, 4, SQL_C_CHAR, (SQLPOINTER) columnname.s, 129,
                &columnname.ind);
rc = SQLBindCol(hstmt, 5, SQL_C_CHAR, (SQLPOINTER) grantor.s, 129,
                &grantor.ind);
rc = SQLBindCol(hstmt, 6, SQL_C_CHAR, (SQLPOINTER) grantee.s, 129,
                &grantee.ind);
rc = SQLBindCol(hstmt, 7, SQL_C_CHAR, (SQLPOINTER) privilege.s, 129,
                &privilege.ind);
rc = SQLBindCol(hstmt, 8, SQL_C_CHAR, (SQLPOINTER) is_grantable.s, 4,
                &is_grantable.ind);
printf("Column Privileges for %s.%s\n", schema, tablename);
/* Fetch each row, and display */
while ((rc = SQLFetch(hstmt)) == SQL_SUCCESS) {
    sprintf(cur_name, " Column: %s\n", columnname.s);
    if (strcmp(cur_name, pre_name) != 0) {
        printf("\n%s\n", cur_name);
        printf("      Grantor          Grantee          Privilege Grantable\n");
        printf("      -----          -----          ----- ----\n");
    }
    strcpy(pre_name, cur_name);
    printf(" %-15s", grantor.s);
    printf(" %-15s", grantee.s);
    printf(" %-10s", privilege.s);
    printf(" %-3s\n", is_grantable.s);
}
/* endwhile */
}
/* ... */

```

Figure 10. An application that retrieves user privileges on table columns

Related concepts

[Input arguments on catalog functions](#)

Input arguments identify or constrain the amount of information that a catalog function returns.

Related reference

[SQLColumns\(\) - Get column information](#)

SQLColumns() returns a list of columns in the specified tables. The information is returned in an SQL result set, which can be retrieved by using the same functions that fetch a result set that a query generates.

[Function return codes](#)

Every ODBC function returns a return code that indicates whether the function invocation succeeded or failed.

[SQLTables\(\) - Get table information](#)

SQLTables() returns a list of table names and associated information that is stored in the system catalog of the connected data source. The list of table names is returned as a result set. You can retrieve this result set with the same functions that process a result set generated by a query.

SQLColumns() - Get column information

SQLColumns() returns a list of columns in the specified tables. The information is returned in an SQL result set, which can be retrieved by using the same functions that fetch a result set that a query generates.

ODBC specifications for SQLColumns()

ODBC specification level	In X/Open CLI CAE specification?	In ISO CLI specification?
1.0	Yes	No

Syntax

```
SQLRETURN SQLColumns (SQLHSTMT FAR hstmt,
SQLCHAR FAR *szCatalogName,
SQLSMALLINT cbCatalogName,
SQLCHAR FAR *szSchemaName,
SQLSMALLINT cbSchemaName,
SQLCHAR FAR *szTableName,
SQLSMALLINT cbTableName,
SQLCHAR FAR *szColumnName,
SQLSMALLINT cbColumnName);
```

Function arguments

The following table lists the data type, use, and description for each argument in this function.

Table 63. SQLColumns () arguments

Data type	Argument	Use	Description
SQLHSTMT	<i>hstmt</i>	input	Identifies the statement handle.
SQLCHAR *	<i>szCatalogName</i>	input	Identifies the buffer that can contain a <i>pattern-value</i> to qualify the result set. <i>Catalog</i> is the first part of a three-part table name. This must be a null pointer or a zero length string.
SQLSMALLINT	<i>cbCatalogName</i>	input	Specifies the length, in bytes, of <i>szCatalogName</i> . This must be set to 0.
SQLCHAR *	<i>szSchemaName</i>	input	Identifies the buffer that can contain a <i>pattern-value</i> to qualify the result set by schema name.
SQLSMALLINT	<i>cbSchemaName</i>	input	Specifies the length, in bytes, of <i>szSchemaName</i> .
SQLCHAR *	<i>szTableName</i>	input	Identifies the buffer that can contain a <i>pattern-value</i> to qualify the result set by table name.
SQLSMALLINT	<i>cbTableName</i>	input	Specifies the length, in bytes, of <i>szTableName</i> .
SQLCHAR *	<i>szColumnName</i>	input	Identifies the buffer that can contain a <i>pattern-value</i> to qualify the result set by column name.
SQLSMALLINT	<i>cbColumnName</i>	input	Specifies the length, in bytes, of <i>szColumnName</i> .

Usage

This function retrieves information about the columns of a table or a set of tables. Typically, you call this function after you call `SQLTables ()` to determine the columns of a table. Use the character strings that are returned in the `TABLE_SCHEM` and `TABLE_NAME` columns of the `SQLTables ()` result set as input to this function.

`SQLColumns ()` returns a standard result set, ordered by `TABLE_CAT`, `TABLE_SCHEM`, `TABLE_NAME`, and `ORDINAL_POSITION`. Table 64 on page 150 lists the columns in the result set.

The *szSchemaName*, *szTableName*, and *szColumnName* arguments accept search patterns.

Because calls to `SQLColumns ()` frequently result in a complex and expensive query to the catalog, use these calls sparingly, and save the results rather than repeat the calls.

The `VARCHAR` columns of the catalog functions result set are declared with a maximum length attribute of 128 bytes (which is consistent with ANSI/ISO SQL standard of 1992 limits). Because Db2 names are less than 128 characters, the application can choose to always set aside 128 characters (plus the null-terminator) for the output buffer. You can alternatively call `SQLGetInfo ()` with the *InfoType* argument set to each of the following values:

- SQL_MAX_CATALOG_NAME_LEN, to determine the length of TABLE_CAT columns that the connected database management system supports
- SQL_MAX_SCHEMA_NAME_LEN, to determine the length of TABLE_SCHEM columns that the connected database management system supports
- SQL_MAX_TABLE_NAME_LEN, to determine the length of TABLE_NAME columns that the connected database management system supports
- SQL_MAX_COLUMN_NAME_LEN, to determine the length of COLUMN_NAME columns that the connected database management system supports

Although new columns might be added and the names of the existing columns might change in future releases, the position of the current columns will remain unchanged. The following table lists the columns in the result set that SQLColumns() currently returns.

Table 64. Columns returned by SQLColumns()

Column number	Column name	Data type	Description
1	TABLE_CAT	VARCHAR(128)	Always null.
2	TABLE_SCHEM	VARCHAR(128)	Identifies the name of the schema that contains TABLE_NAME.
3	TABLE_NAME	VARCHAR(128) NOT NULL	Identifies the name of the table, view, alias, or synonym.
4	COLUMN_NAME	VARCHAR(128) NOT NULL	Identifies the column that is described. This column contains the name of the column of the specified table, view, alias, or synonym.
5	DATA_TYPE	SMALLINT NOT NULL	Identifies the SQL data type of the column that COLUMN_NAME indicates.
6	TYPE_NAME	VARCHAR(128) NOT NULL	Identifies the character string that represents the name of the data type that corresponds to the DATA_TYPE result set column.
7	COLUMN_SIZE	INTEGER	<p>If the DATA_TYPE column value denotes a character or binary string, this column contains the maximum length in characters for the column.</p> <p>For date, time, timestamp data types, this is the total number of characters that are required to display the value when it is converted to character.</p> <p>For numeric data types, this is either the total number of digits, or the total number of bits that are allowed in the column, depending on the value in the NUM_PREC_RADIX column in the result set.</p> <p>For the XML data type, the length of zero is returned.</p>

Table 64. Columns returned by `SQLColumns()` (continued)

Column number	Column name	Data type	Description
8	BUFFER_LENGTH	INTEGER	Indicates the maximum number of bytes for the associated C buffer to store data from this column if <code>SQL_C_DEFAULT</code> is specified on the <code>SQLBindCol()</code> , <code>SQLGetData()</code> , and <code>SQLBindParameter()</code> calls. This length does not include any nul-terminator. For exact numeric data types, the length accounts for the decimal and the sign.
9	DECIMAL_DIGITS	SMALLINT	Indicates the scale of the column. NULL is returned for data types where scale is not applicable.
10	NUM_PREC_RADIX	SMALLINT	Specifies 10, 2, or NULL. If <code>DATA_TYPE</code> is an approximate numeric data type, this column contains the value 2, and the <code>COLUMN_SIZE</code> column contains the number of bits that are allowed in the column. If <code>DATA_TYPE</code> is an exact numeric data type, this column contains the value 10, and the <code>COLUMN_SIZE</code> contains the number of decimal digits that are allowed for the column. For numeric data types, the database management system can return a <code>NUM_PREC_RADIX</code> value of either 10 or 2. NULL is returned for data types where the <code>NUM_PREC_RADIX</code> column does not apply.
11	NULLABLE	SMALLINT NOT NULL	Contains <code>SQL_NO_NULLS</code> if the column does not accept null values. Contains <code>SQL_NULLABLE</code> if the column accepts null values.
12	REMARKS	VARCHAR(762)	Contains any descriptive information about the column.

Table 64. Columns returned by SQLColumns() (continued)

Column number	Column name	Data type	Description
13	COLUMN_DEF	VARCHAR(254)	<p>Identifies the default value for the column.</p> <p>If the default value is a numeric literal, this column contains the character representation of the numeric literal with no enclosing single quotes.</p> <p>If the default value is a character string, this column is that string, enclosed in single quotes.</p> <p>If the default value is a <i>pseudo-literal</i>, such as for DATE, TIME, and TIMESTAMP columns, this column contains the keyword of the pseudo-literal (for example, CURRENT DATE) with no enclosing quotes.</p> <p>If NULL was specified as the default value, this column returns the word NULL, with no enclosing single quotes.</p> <p>If the default value cannot be represented without truncation, this column contains the value TRUNCATED with no enclosing single quotes.</p> <p>If no default value was specified, this column is null.</p>
14	SQL_DATA_TYPE	SMALLINT NOT NULL	<p>Indicates the SQL data type. This column is the same as the DATA_TYPE column.</p> <p>For datetime data types, the SQL_DATA_TYPE field in the result set is SQL_DATETIME, and the SQL_DATETIME_SUB field returns the subcode for the specific datetime data type (SQL_CODE_DATE, SQL_CODE_TIME, or SQL_CODE_TIMESTAMP).</p>
15	SQL_DATETIME_SUB	SMALLINT	<p>The subtype code for datetime data types can be one of the following values:</p> <ul style="list-style-type: none"> • SQL_CODE_DATE • SQL_CODE_TIME • SQL_CODE_TIMESTAMP <p>For all other data types, this column returns NULL.</p>

Table 64. Columns returned by SQLColumns() (continued)

Column number	Column name	Data type	Description
16	CHAR_OCTET_LENGTH	INTEGER	Contains the maximum length in bytes for a character data column. For single-byte character sets, this is the same as COLUMN_SIZE. For the XML type, zero is returned. For data types other than character data types or XML data type, it is null.
17	ORDINAL_POSITION	INTEGER NOT NULL	The ordinal position of the column in the table. The first column in the table is number 1.
18	IS_NULLABLE	VARCHAR(254)	Contains the string 'NO' if the column is known to be not nullable; and 'YES' otherwise.

The result set that the preceding table describes is identical to the X/Open CLI Columns() result set specification, which is an extended version of the SQLColumns() result set that ODBC 2.0 specifies. The ODBC SQLColumns() result set includes every column in the same position up to the REMARKS column.

Db2 ODBC applications that issue SQLColumns() against a Db2 for z/OS server should expect the result set columns that are listed in [Table 64 on page 150](#).

Return codes

After you call SQLColumns(), it returns one of the following values:

- SQL_SUCCESS
- SQL_SUCCESS_WITH_INFO
- SQL_ERROR
- SQL_INVALID_HANDLE

Diagnostics

The following table lists each SQLSTATE that this function generates, with a description and explanation for each value.

Table 65. SQLColumns() SQLSTATES

SQLSTATE	Description	Explanation
08S01	Communication link failure.	The communication link between the application and data source fails before the function completes.
24000	Invalid cursor state.	A cursor is open on the statement handle.
HY001	Memory allocation failure.	Db2 ODBC is not able to allocate the required memory to support the execution or the completion of the function.
HY010	Function sequence error.	The function is called during a data-at-execute operation. (That is, the function is called during a procedure that uses the SQLParamData() or SQLPutData() functions.)

Table 65. *SQLColumns()* SQLSTATEs (continued)

SQLSTATE	Description	Explanation
HY014	No more handles.	Db2 ODBC is not able to allocate a handle due to low internal resources.
HY090	Invalid string or buffer length.	The value of one of the name length argument is less than 0 and not equal to SQL_NTS.
HYC00	Driver not capable.	Db2 ODBC does not support "catalog" as a qualifier for table name.

Example

The following example shows an application that queries the system catalog for information about columns in a table.

```

/* ... */
SQLRETURN
list_columns(SQLHDBC hdbc, SQLCHAR *schema, SQLCHAR *tablename )
{
/* ... */
    rc = SQLColumns(hstmt, NULL, 0, schema, SQL_NTS,
                   tablename, SQL_NTS, "NTS");
    rc = SQLBindCol(hstmt, 4, SQL_C_CHAR, (SQLPOINTER) column_name.s, 129,
                   &column_name.ind);
    rc = SQLBindCol(hstmt, 6, SQL_C_CHAR, (SQLPOINTER) type_name.s, 129,
                   &type_name.ind);
    rc = SQLBindCol(hstmt, 7, SQL_C_LONG, (SQLPOINTER) &length,
                   sizeof(length), &length_ind);
    rc = SQLBindCol(hstmt, 9, SQL_C_SHORT, (SQLPOINTER) &scale,
                   sizeof(scale), &scale_ind);
    rc = SQLBindCol(hstmt, 12, SQL_C_CHAR, (SQLPOINTER) remarks.s, 129,
                   &remarks.ind);
    rc = SQLBindCol(hstmt, 11, SQL_C_SHORT, (SQLPOINTER) &nullable,
                   sizeof(nullable), &nullable_ind);
    printf("Schema: %s Table Name: %s\n", schema, tablename);
    /* Fetch each row, and display */
    while ((rc = SQLFetch(hstmt)) == SQL_SUCCESS) {
        printf(" %s", column_name.s);
        if (nullable == SQL_NULLABLE) {
            printf(", NULLABLE");
        } else {
            printf(", NOT NULLABLE");
        }
        printf(", %s", type_name.s);
        if (length_ind != SQL_NULL_DATA) {
            printf(" (%ld", length);
        } else {
            printf("\n");
        }
        if (scale_ind != SQL_NULL_DATA) {
            printf(", %d)\n", scale);
        } else {
            printf(")\n");
        }
    }
    /* endwhile */
}
/* ... */

```

Figure 11. An application that returns information about table columns

Related concepts

[Input arguments on catalog functions](#)

Input arguments identify or constrain the amount of information that a catalog function returns.

Related reference

[C and SQL data types](#)

Db2 ODBC defines a set of SQL symbolic data types. Each SQL symbolic data type has a corresponding default C data type.

[Length of SQL data types](#)

The length of a column is the maximum number of bytes that are returned to the application when data is transferred to its default C data type.

Precision of SQL data types

The precision of a numeric column or parameter refers to the maximum number of digits that are used by the data type of the column or parameter. The precision of a non-numeric column or parameter generally refers to the maximum length or the defined length of the column or parameter.

Scale of SQL data types

The scale of a numeric column or parameter refers to the maximum number of digits to the right of the decimal point. For approximate floating-point number columns or parameters, the scale is undefined because the number of digits to the right of the decimal place is not fixed.

SQLColumnPrivileges() - Get column privileges

SQLColumnPrivileges() returns a list of columns and associated privileges for the specified table. The information is returned in an SQL result set. You can retrieve the result set by using the same functions that you use to process a result set that a query generates.

Function return codes

Every ODBC function returns a return code that indicates whether the function invocation succeeded or failed.

SQLSpecialColumns() - Get special (row identifier) columns

SQLSpecialColumns() returns unique row identifier information (primary key or unique index) for a table. The information is returned in an SQL result set. You can retrieve this result set with the same functions that process a result set that is generated by a query.

SQLTables() - Get table information

SQLTables() returns a list of table names and associated information that is stored in the system catalog of the connected data source. The list of table names is returned as a result set. You can retrieve this result set with the same functions that process a result set generated by a query.

SQLConnect () - Connect to a data source

SQLConnect() establishes a connection to the target database. The application must supply a target SQL database. You must use SQLAllocHandle() to allocate a connection handle before you can call SQLConnect(). Subsequently, you must call SQLConnect() before you allocate a statement handle.

ODBC specifications for SQLConnect ()

Table 66. SQLConnect () specifications		
ODBC specification level	In X/Open CLI CAE specification?	In ISO CLI specification?
1.0	Yes	Yes

Syntax

```
SQLRETURN SQLConnect
(
    SQLHDBC FAR hdbc,
    SQLCHAR FAR *szDSN,
    SQLSMALLINT cbDSN,
    SQLCHAR FAR *szUID,
    SQLSMALLINT cbUID,
    SQLCHAR FAR *szAuthStr,
    SQLSMALLINT cbAuthStr);
```

Function arguments

The following table lists the data type, use, and description for each argument in this function.

Table 67. *SQLConnect()* arguments

Data type	Argument	Use	Description
SQLHDBC	<i>hdbc</i>	input	Specifies the connection handle for the connection.
SQLCHAR *	<i>szDSN</i>	input	Specifies the data source: the name or alias name of the database to which you are connecting.
SQLSMALLINT	<i>cbDSN</i>	input	Specifies the length, in bytes, of the contents of the <i>szDSN</i> argument.
SQLCHAR *	<i>szUID</i>	input	Specifies an authorization name (user identifier). This parameter is validated and authenticated.
SQLSMALLINT	<i>cbUID</i>	input	Specifies the length, in bytes, of the contents of the <i>szUID</i> argument. This parameter is validated and authenticated.
SQLCHAR *	<i>szAuthStr</i>	input	Specifies an authentication string (password). This parameter is validated and authenticated.
SQLSMALLINT	<i>cbAuthStr</i>	input	Specifies the length, in bytes, of the contents of the <i>szAuthStr</i> argument. This parameter is validated and authenticated.

Usage

The target database (also known as a *data source*) for IBM relational database management systems is the location name that is defined in SYSIBM.LOCATIONS when DDF is configured in the Db2 subsystem. Call `SQLDataSources()` to obtain a list of databases that are available for connections.

In many applications, a local database is accessed (DDF is not being used). In these cases, the local database name is the name that was set during Db2 installation as 'Db2 LOCATION NAME' on the DSNTIPR installation panel for the Db2 subsystem. Your local Db2 administration staff can provide you with this name, or you can use a null connect.

A connection that is established by `SQLConnect()` recognizes externally created RRS contexts and allows multiple connections to the same data source from different RRS contexts.

Specifying a null connect: With a *null connect*, you connect to the default local database without supplying a database name.

For a null `SQLConnect()`, the default connection type is the value of the `CONNECTTYPE` keyword, which is specified in the common section of the initialization file. To override this default value, specify the `SQL_ATTR_CONNECTTYPE` attribute by using one of the following functions before you issue the null `SQLConnect()`:

- `SQLSetConnectAttr()`
- `SQLSetEnvAttr()`

Use the *szDSN* argument for `SQLConnect()` as follows:

- If the *szDSN* argument pointer is null or the *cbDSN* argument value is 0, you perform a null connect.

A null connect, like any connection, requires you to allocate both an environment handle and a connection handle before you make the connection. The reasons you might code a null connect include:

- Your Db2 ODBC application needs to connect to the default data source. (The default data source is the Db2 subsystem that is specified by the MVSDEFAULTSSID initialization file setting.)
- Your Db2 ODBC application is mixing embedded SQL and Db2 ODBC calls, and the application connected to a data source before invoking Db2 ODBC.
- Your Db2 ODBC application runs as a stored procedure. Db2 ODBC applications that run as stored procedures must issue a null connect.

- If the *szDSN* argument pointer is not null and the *cbDSN* argument value is not 0, Db2 ODBC issues a CONNECT statement to the data source.

Specifying length arguments: You can set the input length arguments of `SQLConnect()` (*cbDSN*, *cbUID*, *cbAuthStr*) either to the actual length (in bytes) of their associated data (which does not include nul-terminating characters), or to `SQL_NTS` to indicate that the associated data is nul-terminated.

Authenticating a user: To authenticate a user, you must pass `SQLConnect()` both a user ID (which you specify in the *szUID* argument) and a password (which you specify in the *szAuthStr* argument). If you specify a null or empty user ID for the *szUID* argument, `SQLConnect()` ignores the *szAuthStr* argument and uses the primary authorization ID that is associated with the application for authentication. `SQLConnect()` does not accept the space character in either the *szUID* or *szAuthStr* arguments.

Using `SQLDriverConnect()`: Use the more extensible `SQLDriverConnect()` function to connect when the application needs to override any or all of the keyword values specified for this data source in the initialization file.

Users can specify various connection characteristics (attributes) in the section of the initialization file associated with the *szDSN* data source argument. Your application should set connection attributes with `SQLSetConnectAttr()`. To set additional attributes, call the extended connect function, `SQLDriverConnect()`. You can also perform a null connect with `SQLDriverConnect()`.

Return codes

After you call `SQLConnect()`, it returns one of the following values:

- `SQL_SUCCESS`
- `SQL_SUCCESS_WITH_INFO`
- `SQL_ERROR`
- `SQL_INVALID_HANDLE`

Diagnostics

The following table lists each `SQLSTATE` that this function generates, with a description and explanation for each value.

Table 68. `SQLConnect()` `SQLSTATE`s

SQLSTATE	Description	Explanation
08001	Unable to connect to data source.	This <code>SQLSTATE</code> is returned for one or more of the following reasons: <ul style="list-style-type: none"> • Db2 ODBC is not able to establish a connection with the data source. • The connection request is rejected because a connection that was established with embedded SQL already exists.
08002	Connection in use.	The specified connection handle is being used to establish a connection with a data source, and that connection is still open.
08004	The application server rejected establishment of the connection.	This <code>SQLSTATE</code> is returned for one or more of the following reasons: <ul style="list-style-type: none"> • The data source rejects the establishment of the connection. • The number of connections that are specified by the <code>MAXCONN</code> keyword has been reached.
58004	Unexpected system failure.	Unrecoverable system error.

Table 68. SQLConnect () SQLSTATEs (continued)

SQLSTATE	Description	Explanation
HY001	Memory allocation failure.	Db2 ODBC is not able to allocate the required memory to support the execution or the completion of the function.
HY013	Unexpected memory handling error.	Db2 ODBC is not able to access the memory that is required to support execution or completion of the function.
HY024	Invalid argument value.	A nonmatching double quotation mark (") is found in the <i>szDSN</i> , <i>szUID</i> , or <i>szAuthStr</i> arguments.
HY090	Invalid string or buffer length.	This SQLSTATE is returned for one or more of the following reasons: <ul style="list-style-type: none"> • The specified value for the <i>cbDSN</i> argument is less than 0 and is not equal to SQL_NTS, and the <i>szDSN</i> argument is not a null pointer. • The specified value for the <i>cbUID</i> argument is less than 0 and is not equal to SQL_NTS, and the <i>szUID</i> argument is not a null pointer. • The specified value for the <i>cbAuthStr</i> argument is less than 0 and is not equal to SQL_NTS, and the <i>szAuthStr</i> argument is not a null pointer.
HY501	Invalid data source name.	An invalid data source name is specified in the <i>szDSN</i> argument.

Restrictions

The implicit connection (or default database) option for IBM relational database management systems is not supported. SQLConnect () must be called before any SQL statements can be executed.

Example

The following example shows an application that makes a connection to a data source with SQLConnect ().

```

/* ... */
/* Global variables for user id and password, defined in main module.
   To keep samples simple, not a recommended practice.
   The INIT_UID_PWD macro is used to initialize these variables.
*/
extern  SQLCHAR  server[SQL_MAX_DSN_LENGTH + 1];
/*****
SQLRETURN
DBconnect(SQLHENV henv,
          SQLHDBC * hdbc)
{
    SQLRETURN      rc;
    SQLSMALLINT    outlen;
    /* Allocate a connection handle */
    if (SQLAllocHandle(SQL_HANDLE_DBC, henv, hdbc) != SQL_SUCCESS) {
        printf(">---ERROR while allocating a connection handle----\n");
        return (SQL_ERROR);
    }
    /* Set AUTOCOMMIT OFF */
    rc = SQLSetConnectAttr(*hdbc, SQL_ATTR_AUTOCOMMIT, (void*)
                          SQL_AUTOCOMMIT_OFF, SQL_NTS);
    if (rc != SQL_SUCCESS) {
        printf(">---ERROR while setting AUTOCOMMIT OFF -----\n");
        return (SQL_ERROR);
    }
    rc = SQLConnect(*hdbc, server, SQL_NTS, NULL, SQL_NTS, NULL, SQL_NTS);
    if (rc != SQL_SUCCESS) {
        printf(">--- Error while connecting to database: %s -----\n", server);
        SQLDisconnect(*hdbc);
        SQLFreeHandle (SQL_HANDLE_DBC, *hdbc);
    }
}

```

```

        return (SQL_ERROR);
    } else {
        /* Print connection information */
        printf(">Connected to %s\n", server);
    }
    return (SQL_SUCCESS);
}
}
/*****
/* DBconnect2 - Connect with connection type */
/* Valid connection types SQL_CONCURRENT_TRANS, SQL_COORDINATED_TRANS */
/*****
SQLRETURN DBconnect2(SQLHENV henv,
                    SQLHDBC * hdbc, SQLINTEGER contype)
                    SQLHDBC * hdbc, SQLINTEGER contype, SQLINTEGER conphase)
{
    SQLRETURN          rc;
    SQLSMALLINT        outlen;
    /* Allocate a connection handle */
    if (SQLAllocHandle(SQL_HANDLE_DBC, henv, hdbc) != SQL_SUCCESS) {
        printf(">---ERROR while allocating a connection handle----\n");
        return (SQL_ERROR);
    }
    /* Set AUTOCOMMIT OFF */
    rc = SQLSetConnectAttr(*hdbc, SQL_ATTR_AUTOCOMMIT, (void*)
                          SQL_AUTOCOMMIT_OFF, SQL_NTS);
    if (rc != SQL_SUCCESS) {
        printf(">---ERROR while setting AUTOCOMMIT OFF -----\n");
        return (SQL_ERROR);
    }
    rc = SQLSetConnectAttr(hdbc[0], SQL_ATTR_CONNECTTYPE, (void*)contype, SQL_NTS);
    if (rc != SQL_SUCCESS) {
        printf(">---ERROR while setting Connect Type -----\n");
        return (SQL_ERROR);
    }
    if (contype == SQL_COORDINATED_TRANS ) {
        rc=SQLSetConnectAttr(hdbc[0], SQL_ATTR_SYNC_POINT, (void*)conphase,
        SQL_NTS);
        if (rc != SQL_SUCCESS) {
            printf(">---ERROR while setting Syncpoint Phase -----\n");
            return (SQL_ERROR);
        }
    }
    rc = SQLConnect(*hdbc, server, SQL_NTS, NULL, SQL_NTS, NULL, SQL_NTS);
    if (rc != SQL_SUCCESS) {
        printf(">--- Error while connecting to database:
        SQLDisconnect(*hdbc);
        SQLFreeHandle(SQL_HANDLE_DBC, *hdbc);
        return (SQL_ERROR);
    } else {
        /* Print connection information */
        printf(">Connected to
    }
    return (SQL_SUCCESS);
}
}
/* ... */

```

Figure 12. An application that connects to a data source

Related reference

[SQLAllocHandle\(\)](#) - Allocate a handle

[SQLAllocHandle\(\)](#) allocates an environment handle, a connection handle, or a statement handle.

[SQLDataSources\(\)](#) - Get a list of data sources

[SQLDataSources\(\)](#) returns a list of available target databases, one at a time. Before you make a connection, you can call [SQLDataSources\(\)](#) to determine which databases are available.

[SQLDisconnect\(\)](#) - Disconnect from a data source

[SQLDisconnect\(\)](#) closes the connection that is associated with the database connection handle. Before you call [SQLDisconnect\(\)](#), you must call [SQLEndTran\(\)](#) if an outstanding transaction exists on this connection. After you call this function, either call [SQLConnect\(\)](#) to connect to another database, or call [SQLFreeHandle\(\)](#).

[SQLDriverConnect\(\)](#) - Use a connection string to connect to a data source

[SQLDriverConnect\(\)](#) is an alternative to [SQLConnect\(\)](#). Both functions establish a connection to the target database, but [SQLDriverConnect\(\)](#) supports additional connection parameters.

[SQLGetConnectOption\(\)](#) - Return current setting of a connect option

SQLGetConnectOption() is a deprecated function and is replaced by SQLGetConnectAttr().

Function return codes

Every ODBC function returns a return code that indicates whether the function invocation succeeded or failed.

SQLSetConnectOption() - Set connection option

This function is deprecated and is replaced by SQLSetConnectAttr(). You cannot use SQLSetConnectOption() for 64-bit applications.

SQLDataSources() - Get a list of data sources

SQLDataSources() returns a list of available target databases, one at a time. Before you make a connection, you can call SQLDataSources() to determine which databases are available.

ODBC specifications for SQLDataSources()

ODBC specification level	In X/Open CLI CAE specification?	In ISO CLI specification?
1.0	Yes	Yes

Syntax

```
SQLRETURN SQLDataSources (SQLHENV          henv,
                          SQLUSMALLINT    fDirection,
                          SQLCHAR FAR     *szDSN,
                          SQLSMALLINT     cbDSNMax,
                          SQLSMALLINT FAR *pcbDSN,
                          SQLCHAR FAR     *szDescription,
                          SQLSMALLINT     cbDescriptionMax,
                          SQLSMALLINT FAR *pcbDescription);
```

Function arguments

The following table lists the data type, use, and description for each argument in this function.

Data type	Argument	Use	Description
SQLHENV	<i>henv</i>	input	Specifies the environment handle.
SQLUSMALLINT	<i>fDirection</i>	input	Requests either the first data source name in the list or the next data source name in the list. <i>fDirection</i> can contain only the following values: <ul style="list-style-type: none"> SQL_FETCH_FIRST SQL_FETCH_NEXT
SQLCHAR *	<i>szDSN</i>	output	Specifies the pointer to the buffer that holds the retrieved data source name.
SQLSMALLINT	<i>cbDSNMax</i>	input	Specifies the maximum length, in bytes, of the buffer to which the <i>szDSN</i> argument points. This should be less than or equal to SQL_MAX_DSN_LENGTH + 1.
SQLSMALLINT *	<i>pcbDSN</i>	output	Specifies the pointer to the location where the value of the maximum number of bytes that are available to return in the <i>szDSN</i> is stored.

Table 70. *SQLDataSources()* arguments (continued)

Data type	Argument	Use	Description
SQLCHAR *	<i>szDescription</i>	output	Specifies the pointer to the buffer where the description of the data source is returned. Db2 ODBC returns the comment field that is associated with the database cataloged to the database management system. IBM specific: IBM relational database management systems always return a blank description that is padded to 30 bytes.
SQLSMALLINT	<i>cbDescriptionMax</i>	input	Specifies the maximum length, in bytes, of the <i>szDescription</i> buffer. IBM specific: Db2 for z/OS ODBC always returns NULL.
SQLSMALLINT *	<i>pcbDescription</i>	output	Specifies the pointer to the location where this function returns the actual number of bytes that the full description of the data source requires. IBM specific: Db2 for z/OS always returns zero.

Usage

You can call this function any time with the *fDirection* argument set to either `SQL_FETCH_FIRST` or `SQL_FETCH_NEXT`.

If you specify `SQL_FETCH_FIRST`, the first database in the list is always returned.

If you specify `SQL_FETCH_NEXT`, the database that is returned depends on when you call `SQLDataSources()`. At the following points in your application, `SQLDataSources()` returns a different database name:

- Directly following a `SQL_FETCH_FIRST` call, the second database in the list is returned.
- Before any other `SQLDataSources()` call, the first database in the list is returned.
- When no more databases are in the list, `SQL_NO_DATA_FOUND` is returned. If the function is called again, the first database is returned.
- Any other time, the next database in the list is returned.

Return codes

After you call `SQLDataSources()`, it returns one of the following values:

- `SQL_SUCCESS`
- `SQL_SUCCESS_WITH_INFO`
- `SQL_ERROR`
- `SQL_INVALID_HANDLE`
- `SQL_NO_DATA_FOUND`

Diagnostics

The following table lists each `SQLSTATE` that this function generates, with a description and explanation for each value.

Table 71. *SQLDataSources()* SQLSTATES

SQLSTATE	Description	Explanation
01004	Data truncated.	<p>This SQLSTATE is returned for one or more of the following reasons:</p> <ul style="list-style-type: none"> The data source name that is returned in the argument <i>szDSN</i> is longer than the specified value in the <i>cbDSNMax</i> argument. The <i>pcbDSN</i> argument contains the length, in bytes, of the full data source name. The data source name that is returned in the argument <i>szDescription</i> is longer than the value specified in the <i>cbDescriptionMax</i> argument. The <i>pcbDescription</i> argument contains the length, in bytes, of the full data source description. <p>(<i>SQLDataSources()</i> returns <i>SQL_SUCCESS_WITH_INFO</i> for this SQLSTATE.)</p>
58004	Unexpected system failure.	Unrecoverable system error.
HY000	General error.	An error occurred for which no specific SQLSTATE is defined. The error message that is returned by <i>SQLGetDiagRec()</i> in the <i>MessageText</i> argument describes the error and its cause.
HY001	Memory allocation failure.	Db2 ODBC is not able to allocate the required memory to support the execution or the completion of the function.
HY013	Unexpected memory handling error.	Db2 ODBC is not able to access the memory that is required to support execution or completion of the function.
HY090	Invalid string or buffer length.	The specified value for either the <i>cbDSNMax</i> argument or the <i>cbDescriptionMax</i> argument is less than 0.
HY103	Direction option out of range.	The <i>fDirection</i> argument is not set to <i>SQL_FETCH_FIRST</i> or <i>SQL_FETCH_NEXT</i> .

Example

The following example shows an application that prints a list of available data sources with *SQLDataSources()*.


```

/* ... */
/*****
**   - Demonstrate SQLDataSource function
**   - List available servers
**     (error checking has been ignored for simplicity)
**
** Functions used:
**
**   SQLAllocHandle      SQLFreeHandle
**   SQLDataSources
*****/
#include <stdio.h>
#include <stdlib.h>
#include "sqlcli1.h"
int
main()
{
    SQLRETURN          rc;
    SQLHENV            henv;
    SQLCHAR            source[SQL_MAX_DSN_LENGTH + 1], description[255];
    SQLSMALLINT        buff1, des1;
    /* Allocate an environment handle */
    SQLAllocHandle( SQL_HANDLE_ENV, SQL_NULL_HANDLE, &henv);
    /* List the available data sources (servers) */
    printf("The following data sources are available:\n");
    printf("ALIAS NAME                Comment(Description)\n");
    printf("-----\n");
    while ((rc = SQLDataSources(henv, SQL_FETCH_NEXT, source,
                               SQL_MAX_DSN_LENGTH + 1, &buff1, description, 255, &des1))
           != SQL_NO_DATA_FOUND) {
        printf("%-30s %s\n", source, description);
    }
    SQLFreeHandle(SQL_HANDLE_ENV, henv);
    return (SQL_SUCCESS);
}
/* ... */

```

Figure 13. An application that lists available data sources

Related reference

Function return codes

Every ODBC function returns a return code that indicates whether the function invocation succeeded or failed.

SQLDescribeCol () - Describe column attributes

SQLDescribeCol () returns commonly used descriptor information about a column in a result set that a query generates. Before you call this function, you must call either SQLPrepare () or SQLExecDirect ().

ODBC specifications for SQLDescribeCol ()

Table 72. SQLDescribeCol () specifications		
ODBC specification level	In X/Open CLI CAE specification?	In ISO CLI specification?
1.0	Yes	Yes

Syntax

For 31-bit applications, use the following syntax:

```

SQLRETURN  SQLDescribeCol  (SQLHSTMT      hstmt,
                             SQLUSMALLINT  icol,
                             SQLCHAR        FAR  *szColName,
                             SQLSMALLINT    FAR  *pcbColName,
                             SQLSMALLINT    FAR  *pcbColName,
                             SQLSMALLINT    FAR  *pfSqlType,
                             SQLUINTEGER    FAR  *pcbColDef,

```

```

SQLSMALLINT FAR *pibScale,
SQLSMALLINT FAR *pfNullable);

```

For 64-bit applications, use the following syntax:

```

SQLRETURN SQLDescribeCol (SQLHSTMT hstmt,
SQLUSMALLINT icol,
SQLCHAR FAR *szColName,
SQLSMALLINT cbColNameMax,
SQLSMALLINT FAR *pcbColName,
SQLSMALLINT FAR *pfSqlType,
SQLULEN FAR *pcbColDef,
SQLSMALLINT FAR *pibScale,
SQLSMALLINT FAR *pfNullable);

```

Function arguments

The following table lists the data type, use, and description for each argument in this function.

Table 73. *SQLDescribeCol()* arguments

Data type	Argument	Use	Description
SQLHSTMT	<i>hstmt</i>	input	Specifies a statement handle.
SQLUSMALLINT	<i>icol</i>	input	Specifies the column number to be described. Columns are numbered sequentially from left to right, starting at 1.
SQLCHAR *	<i>szColName</i>	output	Specifies the pointer to the buffer that is to hold the name of the column. Set this to a null pointer if you do not need to receive the name of the column.
SQLSMALLINT	<i>cbColNameMax</i>	input	Specifies the size of the buffer to which the <i>szColName</i> argument points.
SQLSMALLINT *	<i>pcbColName</i>	output	Returns the number of bytes that the complete column name requires. Truncation of column name (<i>szColName</i>) to <i>cbColNameMax</i> - 1 bytes occurs if <i>pcbColName</i> is greater than or equal to <i>cbColNameMax</i> .
SQLSMALLINT *	<i>pfSqlType</i>	output	Returns the base SQL data type of column. To determine if a distinct type is associated with the column, call <i>SQLColAttribute()</i> with <i>fDescType</i> set to <i>SQL_COLUMN_DISTINCT_TYPE</i> .
SQLINTEGER *(31-bit) or SQLULEN *(64-bit) ¹	<i>pcbColDef</i>	output	Returns the precision of the column as defined in the database.
SQLSMALLINT *	<i>pibScale</i>	output	Scale of column as defined in the database (applies only to <i>SQL_DECIMAL</i> , <i>SQL_NUMERIC</i> , <i>SQL_TYPE_TIMESTAMP</i> , and <i>SQL_TYPE_TIMESTAMP_WITH_TIMEZONE</i>).
SQLSMALLINT *	<i>pfNullable</i>	output	Indicates whether null values are allowed for the column with the following values: <ul style="list-style-type: none"> SQL_NO_NULLS SQL_NULLABLE

Notes:

- For 64-bit applications, the data type *SQLINTEGER*, which was used in previous versions of Db2, is still valid. However, for maximum application portability, using *SQLULEN* is recommended.

Usage

If you need only one attribute of the descriptor information (column name, type, precision, scale, nullability), or if you need an attribute that `SQLDescribeCol()` does not return, use `SQLColAttribute()` in place of `SQLDescribeCol()`.

Usually, you call this function (or the `SQLColAttribute()` function) before you bind a column to an application variable.

Columns are identified by a number, are numbered sequentially from left to right starting with 1, and can be described in any order.

If a null pointer is specified for any of the pointer arguments, Db2 ODBC assumes that the information is not needed by the application, and nothing is returned.

If the column is a distinct type, `SQLDescribeCol()` returns only the built-in type in the *pfSqlType* argument. Call `SQLColAttribute()` with the *fDescType* argument set to `SQL_COLUMN_DISTINCT_TYPE` to obtain the distinct type.

Return codes

After you call `SQLDescribeCol()`, it returns one of the following values:

- `SQL_SUCCESS`
- `SQL_SUCCESS_WITH_INFO`
- `SQL_ERROR`
- `SQL_INVALID_HANDLE`

Diagnostics

If `SQLDescribeCol()` returns either `SQL_ERROR` or `SQL_SUCCESS_WITH_INFO`, you can call `SQLGetDiagRec()` to obtain one of the `SQLSTATE`s that are listed in the following table.

Table 74. `SQLDescribeCol()` `SQLSTATE`s

SQLSTATE	Description	Explanation
01004	Data truncated.	The column name that is returned in the <i>szColName</i> argument is longer than the specified value in the <i>cbColNameMax</i> argument. The argument <i>pcbColName</i> contains the length, in bytes, of the full column name. (<code>SQLDescribeCol()</code> returns <code>SQL_SUCCESS_WITH_INFO</code> for this <code>SQLSTATE</code>)
07005	The statement did not return a result set.	The statement that is associated with the statement handle did not return a result set. No columns exist to describe. (Call <code>SQLNumResultCols()</code> first to determine if any rows are in the result set.)
08S01	Communication link failure.	The communication link between the application and data source fails before the function completes.
58004	Unexpected system failure.	Unrecoverable system error.
HY001	Memory allocation failure.	Db2 ODBC is not able to allocate the required memory to support the execution or the completion of the function.

Table 74. *SQLDescribeCol()* SQLSTATES (continued)

SQLSTATE	Description	Explanation
HY010	Function sequence error.	This SQLSTATE is returned for one or more of the following reasons: <ul style="list-style-type: none"> The function is called prior to <code>SQLPrepare()</code> or <code>SQLExecDirect()</code> on the statement handle. The function is called during a data-at-execute operation. (That is, the function is called during a procedure that uses the <code>SQLParamData()</code> or <code>SQLPutData()</code> functions.)
HY013	Unexpected memory handling error.	Db2 ODBC is not able to access the memory that is required to support execution or completion of the function.
HY090	Invalid string or buffer length.	The length that is specified in the <code>cbColNameMax</code> argument is less than 1.
HYC00	Driver not capable.	Db2 ODBC does not recognize the SQL data type of column that the <code>icol</code> argument specifies.
HY002	Invalid column number.	The value that the <code>icol</code> argument specifies is less than 1, or it is greater than the number of columns in the result set.

Example

The following example shows an application that uses `SQLDescribeCol()` to retrieve descriptor information about table columns.

```

/* ... */
/*****
** process_stmt
** - allocates a statement handle
** - executes the statement
** - determines the type of statement
** - if no result columns exist, therefore non-select statement
**   - if rowcount > 0, assume statement was UPDATE, INSERT, DELETE
**   else
**     - assume a DDL, or Grant/Revoke statement
**   else
**     - must be a select statement.
**     - display results
** - frees the statement handle
*****/
int
process_stmt(SQLHENV henv,
             SQLHDBC hdbc,
             SQLCHAR * sqlstr)
{
    SQLHSTMT      hstmt;
    SQLSMALLINT   nresultcols;
    SQLINTEGER    rowcount;
    SQLRETURN     rc;
    /* Allocate a statement handle */
    SQLAllocHandle( SQL_HANDLE_STMT, hdbc, &hstmt);
    /* Execute the SQL statement in "sqlstr" */
    rc = SQLExecDirect(hstmt, sqlstr, SQL_NTS);
    if (rc != SQL_SUCCESS)
        if (rc == SQL_NO_DATA_FOUND) {
            printf("\nStatement executed without error, however,\n");
            printf("no data was found or modified\n");
            return (SQL_SUCCESS);
        } else
            CHECK_HANDLE( SQL_HANDLE_STMT, hstmt, rc);
    rc = SQLNumResultCols(hstmt, &nresultcols);
    /* Determine statement type */
    if (nresultcols == 0) { /* statement is not a select statement */
        rc = SQLRowCount(hstmt, &rowcount);
        if (rowcount > 0) { /* assume statement is UPDATE, INSERT, DELETE */
            printf("Statement executed, %ld rows affected\n", rowcount);
        } else { /* assume statement is GRANT, REVOKE or a DLL

```

```

        * statement */
        printf("Statement completed successful\n");
    }
} else {
    /* display the result set */
    display_results(hstmt, nresultcols);
}
/* end determine statement type */
rc = SQLFreeHandle(SQL_HANDLE_STMT, hstmt); /* Free statement handle */
return (0);
}
/* end process_stmt */
/*****
** display_results
** - for each column
**   - get column name
**   - bind column
** - display column headings
** - fetch each row
**   - if value truncated, build error message
**   - if column null, set value to "NULL"
** - display row
** - print truncation message
** - free local storage
*****/
display_results(SQLHSTMT hstmt,
                SQLSMALLINT nresultcols)
{
    SQLCHAR          colname[32];
    SQLSMALLINT      coltype;
    SQLSMALLINT      colnamelen;
    SQLSMALLINT      nullable;
    SQLINTEGER       collen[MAXCOLS];
    SQLUINTEGER      precision;
    SQLSMALLINT      scale;
    SQLINTEGER       outlen[MAXCOLS];
    SQLCHAR          *data[MAXCOLS];
    SQLCHAR          errmsg[256];
    SQLRETURN        rc;
    SQLINTEGER       i;
    SQLINTEGER       x;
    SQLINTEGER       displaysize;
    for (i = 0; i < nresultcols; i++) {
        SQLDescribeCol(hstmt, i + 1, colname, sizeof(colname),
                      &colnamelen, &coltype, &precision, &scale, NULL);
        collen[i] = precision; /* Note, assignment of unsigned int to signed */
        /* Get display length for column */
        SQLColAttribute(hstmt, i + 1, SQL_COLUMN_DISPLAY_SIZE, NULL, 0,
                       NULL, &displaysize);

        /*
         * Set column length to max of display length, and column name
         * length. Plus one byte for null terminator
         */
        collen[i] = max(displaysize, strlen((char *) colname)) + 1;
        printf("%-*.s", collen[i], collen[i], colname);
        /* Allocate memory to bind column */
        data[i] = (SQLCHAR *) malloc(collen[i]);
        /* Bind columns to program vars, converting all types to CHAR */
        rc = SQLBindCol(hstmt, i + 1, SQL_C_CHAR, data[i], collen[i], &outlen[i]);
    }
    printf("\n");
    /* Display result rows */
    while ((rc = SQLFetch(hstmt)) != SQL_NO_DATA_FOUND) {
        errmsg[0] = '\0';
        for (i = 0; i < nresultcols; i++) {
            /* Build a truncation message for any columns truncated */
            if (outlen[i] >= collen[i]) {
                sprintf((char *) errmsg + strlen((char *) errmsg),
                        "%ld chars truncated, col %d\n",
                        outlen[i] - collen[i] + 1, i + 1);
                sprintf((char *) errmsg + strlen((char *) errmsg),
                        "Bytes to return = %ld size of buffer\n",
                        outlen[i], collen[i]);
            }
            if (outlen[i] == SQL_NULL_DATA)
                printf("%-*.s", collen[i], collen[i], "NULL");
            else
                printf("%-*.s", collen[i], collen[i], data[i]);
        }
        /* for all columns in this row */
        printf("\n%s", errmsg); /* print any truncation messages */
    }
    /* while rows to fetch */
    /* Free data buffers */
    for (i = 0; i < nresultcols; i++) {
        free(data[i]);
    }
}

```

```

}
/* ... */
/* end display_results */

```

Figure 14. An application that retrieves column descriptor information

Related reference

C and SQL data types

Db2 ODBC defines a set of SQL symbolic data types. Each SQL symbolic data type has a corresponding default C data type.

Precision of SQL data types

The precision of a numeric column or parameter refers to the maximum number of digits that are used by the data type of the column or parameter. The precision of a non-numeric column or parameter generally refers to the maximum length or the defined length of the column or parameter.

Scale of SQL data types

The scale of a numeric column or parameter refers to the maximum number of digits to the right of the decimal point. For approximate floating-point number columns or parameters, the scale is undefined because the number of digits to the right of the decimal place is not fixed.

SQLBindCol() - Bind a column to an application variable

SQLBindCol() binds a column to an application variable. You can call SQLBindCol() once for each column in a result set from which you want to retrieve data or LOB locators.

SQLColAttribute() - Get column attributes

SQLColAttribute() returns descriptor information about a column in a result set. Descriptor information is returned as a character string, a 32-bit descriptor-dependent value, or an integer value.

SQLExecDirect() - Execute a statement directly

SQLExecDirect() prepares and executes an SQL statement in one step.

SQLNumResultCols() - Get number of result columns

SQLNumResultCols() returns the number of columns in the result set that is associated with the input statement handle. SQLPrepare() or SQLExecDirect() must be called before you call SQLNumResultCols(). After you call SQLNumResultCols(), you can call SQLColAttribute() or one of the bind column functions.

SQLPrepare() - Prepare a statement

SQLPrepare() associates an SQL statement with the input statement handle and sends the statement to the database management system where it is prepared. The application can reference this prepared statement by passing the statement handle to other functions.

Function return codes

Every ODBC function returns a return code that indicates whether the function invocation succeeded or failed.

SQLDescribeParam() - Describe parameter marker

SQLDescribeParam() retrieves the description of a parameter marker that is associated with a prepared statement. This function is supported only for Db2 for z/OS data sources. Before you call this function, you must call either SQLPrepare() or SQLExecDirect().

ODBC specifications for SQLDescribeParam()

ODBC specification level	In X/Open CLI CAE specification?	In ISO CLI specification?
1.0	Yes	Yes

Syntax

For 31-bit applications, use the following syntax:

```
SQLRETURN SQLDescribeParam (SQLHSTMT          hstmt,  
                             SQLUSMALLINT      ipar,  
                             SQLSMALLINT FAR    *pfSqlType,  
                             SQLUINTEGER FAR    *pcbColDef,  
                             SQLSMALLINT FAR    *pibScale,  
                             SQLSMALLINT FAR    *pfNullable);
```

For 64-bit applications, use the following syntax:

```
SQLRETURN SQLDescribeParam (SQLHSTMT          hstmt,  
                             SQLUSMALLINT      ipar,  
                             SQLSMALLINT FAR    *pfSqlType,  
                             SQLULEN          FAR    *pcbColDef,  
                             SQLSMALLINT FAR    *pibScale,  
                             SQLSMALLINT FAR    *pfNullable);
```

Function arguments

The following table lists the data type, use, and description for each argument in this function.

Table 76. *SQLDescribeParam()* arguments

Data type	Argument	Use	Description
SQLHSTMT	<i>hstmt</i>	input	Specifies a statement handle.
SQLUSMALLINT	<i>ipar</i>	input	Specifies the parameter marker number. (Parameters are ordered sequentially from left to right in a prepared SQL statement, starting at 1.)
SQLSMALLINT *	<i>pfSqlType</i>	output	Specifies the base SQL data type.
SQLUINTEGER * (31-bit) or SQLULEN *(64-bit) ¹	<i>pcbColDef</i>	output	Returns the precision of the parameter marker.
SQLSMALLINT *	<i>pibScale</i>	output	Returns the scale of the parameter marker.
SQLSMALLINT *	<i>pfNullable</i>	output	Indicates whether the parameter allows null values. This argument returns one of the following values: <ul style="list-style-type: none">SQL_NO_NULLS: The parameter does not allow null values; this is the default.SQL_NULLABLE: The parameter allows null values.SQL_NULLABLE_UNKNOWN: The driver cannot determine whether the parameter allows null values.

Notes:

1. For 64-bit applications, the data type SQLUINTEGER, which was used in previous versions of Db2, is still valid. However, for maximum application portability, using SQLULEN is recommended.

Usage

For distinct types, *SQLDescribeParam()* returns both base data types for the input parameter.

SQLDescribeParam() does not return an indication of whether a parameter in an SQL statement is for input, input/output, or output. Except in calls to stored procedures, all parameters in SQL statements are input parameters. To determine the type of each parameter in a call to a stored procedure, call *SQLProcedureColumns()*.

Return codes

After you call `SQLDescribeParam()`, it returns one of the following values:

- `SQL_SUCCESS`
- `SQL_SUCCESS_WITH_INFO`
- `SQL_ERROR`
- `SQL_INVALID_HANDLE`
- `SQL_NO_DATA_FOUND`

Diagnostics

The following table lists each SQLSTATE that this function generates, with a description and explanation for each value.

Table 77. `SQLDescribeParam()` SQLSTATES

SQLSTATE	Description	Explanation
01000	Warning.	Informational message that indicates an internal commit is issued on behalf of the application as part of the processing that sets the specified connection attribute.
HY000	General error.	An error occurred for which no specific SQLSTATE is defined. The error message that is returned by <code>SQLGetDiagRec()</code> in the argument <i>MessageText</i> describes the error and its cause.
HY001	Memory allocation failure.	Db2 ODBC is not able to allocate the required memory to support the execution or the completion of the function.
HY010	Function sequence error.	The function is called during a data-at-execute operation. (That is, the function is called during a procedure that uses the <code>SQLParamData()</code> or <code>SQLPutData()</code> functions.)
HY093	Invalid parameter number.	The specified value for the <i>ipar</i> argument is less than 1 or it is greater than the number of parameters that the associated SQL statement requires.
HYC00	Driver not capable.	The data source is not Db2 for z/OS or Db2 for Linux, UNIX, and Windows.

Related reference

C and SQL data types

Db2 ODBC defines a set of SQL symbolic data types. Each SQL symbolic data type has a corresponding default C data type.

Precision of SQL data types

The precision of a numeric column or parameter refers to the maximum number of digits that are used by the data type of the column or parameter. The precision of a non-numeric column or parameter generally refers to the maximum length or the defined length of the column or parameter.

Scale of SQL data types

The scale of a numeric column or parameter refers to the maximum number of digits to the right of the decimal point. For approximate floating-point number columns or parameters, the scale is undefined because the number of digits to the right of the decimal place is not fixed.

`SQLBindParameter()` - Bind a parameter marker to a buffer or LOB locator

`SQLBindParameter()` binds parameter markers to application variables and extends the capability of the `SQLSetParam()` function.

`SQLCancel()` - Cancel statement

SQLCancel() terminates an SQLExecDirect() or SQLExecute() sequence prematurely.

SQLExecDirect() - Execute a statement directly

SQLExecDirect() prepares and executes an SQL statement in one step.

SQLExecute() - Execute a statement

SQLExecute() executes a statement, which you successfully prepared with SQLPrepare(), once or multiple times. When you execute a statement with SQLExecute(), the current value of any application variables that are bound to parameter markers in that statement are used.

SQLPrepare() - Prepare a statement

SQLPrepare() associates an SQL statement with the input statement handle and sends the statement to the database management system where it is prepared. The application can reference this prepared statement by passing the statement handle to other functions.

Function return codes

Every ODBC function returns a return code that indicates whether the function invocation succeeded or failed.

SQLDisconnect() - Disconnect from a data source

SQLDisconnect() closes the connection that is associated with the database connection handle. Before you call SQLDisconnect(), you must call SQLEndTran() if an outstanding transaction exists on this connection. After you call this function, either call SQLConnect() to connect to another database, or call SQLFreeHandle().

ODBC specifications for SQLDisconnect()

ODBC specification level	In X/Open CLI CAE specification?	In ISO CLI specification?
1.0	Yes	Yes

Syntax

```
SQLRETURN SQLDisconnect (SQLHDBC hdbc);
```

Function arguments

The following table lists the data type, use, and description for each argument in this function.

Table 79. SQLDisconnect() arguments

Data type	Argument	Use	Description
SQLHDBC	<i>hdbc</i>	input	Specifies the connection handle of the connection to close.

Usage

If you call SQLDisconnect() before you free all the statement handles associated with the connection, Db2 ODBC frees them after it successfully disconnects from the database.

If SQL_SUCCESS_WITH_INFO is returned, it implies that even though the disconnect from the database is successful, additional error or implementation-specific information is available. For example, if a problem was encountered during the cleanup processing, subsequent to the disconnect, or if an event occurred independently of the application (such as communication failure) that caused the current connection to be lost, SQLDisconnect() issues SQL_SUCCESS_WITH_INFO.

After a successful `SQLDisconnect()` call, you can reuse the connection handle you specified in the *hdbc* argument to make another `SQLConnect()` or `SQLDriverConnect()` request.

Return codes

After you call `SQLDisconnect()`, it returns one of the following values:

- `SQL_SUCCESS`
- `SQL_SUCCESS_WITH_INFO`
- `SQL_ERROR`
- `SQL_INVALID_HANDLE`

Diagnostics

The following table lists each `SQLSTATE` that this function generates, with a description and explanation for each value.

Table 80. `SQLDisconnect()` `SQLSTATE`s

SQLSTATE	Description	Explanation
01002	Disconnect error.	An error occurs during the disconnect. However, the disconnect succeeds. <code>SQLDisconnect</code> returns <code>SQL_SUCCESS_WITH_INFO</code> for this <code>SQLSTATE</code> .)
08003	Connection is closed.	The specified connection in the <i>hdbc</i> argument is not open.
25000 or 25501	Invalid transaction state.	A transaction is in process for the connection that the <i>hdbc</i> argument specifies. The transaction remains active, and the connection cannot be disconnected. This error does not apply to stored procedures that are written in Db2 ODBC.
58004	Unexpected system failure.	Unrecoverable system error.
HY001	Memory allocation failure.	Db2 ODBC is not able to allocate the required memory to support the execution or the completion of the function.
HY010	Function sequence error.	The function is called during a data-at-execute operation. (That is, the function is called during a procedure that uses the <code>SQLParamData()</code> or <code>SQLPutData()</code> functions.)
HY013	Unexpected memory handling error.	Db2 ODBC is not able to access the memory that is required to support execution or completion of the function.

Example

Refer to `SQLDriverConnect()` for a related example.

Related reference

[SQLAllocHandle\(\)](#) - Allocate a handle

`SQLAllocHandle()` allocates an environment handle, a connection handle, or a statement handle.

[SQLConnect\(\)](#) - Connect to a data source

`SQLConnect()` establishes a connection to the target database. The application must supply a target SQL database. You must use `SQLAllocHandle()` to allocate a connection handle before you can call `SQLConnect()`. Subsequently, you must call `SQLConnect()` before you allocate a statement handle.

[SQLDriverConnect\(\)](#) - Use a connection string to connect to a data source

SQLDriverConnect() is an alternative to SQLConnect(). Both functions establish a connection to the target database, but SQLDriverConnect() supports additional connection parameters.

Function return codes

Every ODBC function returns a return code that indicates whether the function invocation succeeded or failed.

SQLTransact() - Transaction management

SQLTransact() is a deprecated function and is replaced by SQLEndTran().

SQLDriverConnect() - Use a connection string to connect to a data source

SQLDriverConnect() is an alternative to SQLConnect(). Both functions establish a connection to the target database, but SQLDriverConnect() supports additional connection parameters.

ODBC specifications for SQLDriverConnect()

Table 81. SQLDriverConnect() specifications		
ODBC specification level	In X/Open CLI CAE specification?	In ISO CLI specification?
1.0	No	No

Syntax

```
SQLRETURN SQLDriverConnect (SQLHDBC          hdbc,
                             SQLHWND          hwnd,
                             SQLCHAR FAR      *szConnStrIn,
                             SQLSMALLINT      cbConnStrIn,
                             SQLCHAR FAR      *szConnStrOut,
                             SQLSMALLINT      cbConnStrOutMax,
                             SQLSMALLINT FAR  *pcbConnStrOut,
                             SQLUSMALLINT     fDriverCompletion);
```

Function arguments

The following table lists the data type, use, and description for each argument in this function.

Table 82. SQLDriverConnect() arguments			
Data type	Argument	Use	Description
SQLHDBC	<i>hdbc</i>	input	Specifies the connection handle to use for the connection.
SQLHWND	<i>hwnd</i>	input	Always specify the value NULL. This argument is not used.
SQLCHAR *	<i>szConnStrIn</i>	input	A complete, partial, or empty (null pointer) connection string. See "Usage" on page 174 for a description and the syntax of this string.
SQLSMALLINT	<i>cbConnStrIn</i>	input	Specifies the length, in bytes, of the connection string to which the <i>szConnStrIn</i> argument points.
SQLCHAR *	<i>szConnStrOut</i>	output	Points to a buffer where the complete connection string is returned. If the connection is established successfully, this buffer contains the completed connection string. Applications should allocate at least SQL_MAX_OPTION_STRING_LENGTH bytes for this buffer.

Table 82. *SQLDriverConnect()* arguments (continued)

Data type	Argument	Use	Description
SQLSMALLINT	<i>cbConnStrOutMax</i>	input	Specifies the maximum size, in bytes, of the buffer to which the <i>szConnStrOut</i> argument points.
SQLSMALLINT*	<i>pcbConnStrOut</i>	output	Points to a buffer that contains the total number of available bytes for the complete connection string. If the value of <i>pcbConnStrOut</i> is greater than or equal to <i>cbConnStrOutMax</i> , the completed connection string in <i>szConnStrOut</i> is truncated to <i>cbConnStrOutMax</i> - 1 bytes.
SQLUSMALLINT	<i>fDriverCompletion</i>	input	Indicates when Db2 ODBC should prompt the user for more information. IBM specific: Db2 for z/OS supports only the value of SQL_DRIVER_NOPROMPT for this argument. The following values are not supported: <ul style="list-style-type: none"> SQL_DRIVER_PROMPT SQL_DRIVER_COMPLETE SQL_DRIVER_COMPLETE_REQUIRED

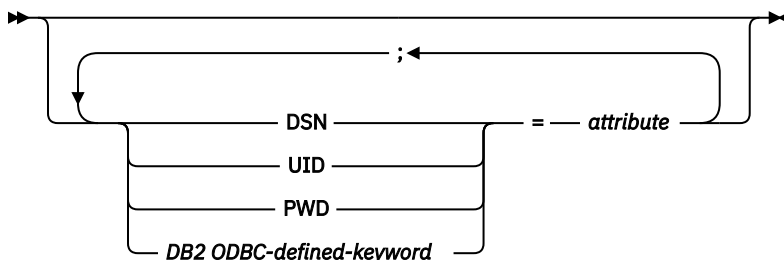
Usage

Use `SQLDriverConnect()` when you want to specify any or all keyword values that are defined in the Db2 ODBC initialization file when you connect to a data source.

When a connection is established, the complete connection string is returned. Applications can store this string for future connection requests, which allows you to override any or all keyword values in the Db2 ODBC initialization file.

Use the connection string to pass one or more values that are needed to complete a connection. You must write the connection string to which the *szConnStrIn* argument points with the following syntax:

Connection string syntax



The connection string contains the following keywords:

DSN

Data source name. The name or alias name of the database.

IBM specific: This is a required value because Db2 for z/OS supports only SQL_DRIVER_NOPROMPT for the *fDriverCompletion* argument.

UID

Authorization name (user identifier). This value is validated and authenticated.

IBM specific: Db2 for z/OS supports only SQL_DRIVER_NOPROMPT for the *fDriverCompletion* argument. If you do not specify a value for UID, Db2 uses the primary authorization ID of your application and the PWD keyword is ignored if it is specified.

PWD

The password corresponding to the authorization name. If the user ID has no password, pass an empty string (PWD=;). This value is validated and authenticated.

IBM specific: Db2 for z/OS supports only SQL_DRIVER_NOPROMPT for the *fDriverCompletion* argument. The value you specify for PWD is ignored if you do not specify UID in the connection string.

Any one of the initialization keywords can be specified on the connection string. If any keywords are repeated in the connection string, the value that is associated with the first occurrence of the keyword is used.

If any keywords exist in the Db2 ODBC initialization file, the keywords and their respective values are used to augment the information that is passed to Db2 ODBC in the connection string. If the information in the Db2 ODBC initialization file contradicts information in the connection string, the values in the connection string take precedence.

The application receives an error on any value of *fDriverCompletion* as follows:

SQL_DRIVER_PROMPT:

Db2 ODBC returns SQL_ERROR.

SQL_DRIVER_COMPLETE:

Db2 ODBC returns SQL_ERROR.

SQL_DRIVER_COMPLETE_REQUIRED:

Db2 ODBC returns SQL_ERROR.

SQL_DRIVER_NOPROMPT:

The user is not prompted for any information. A connection is attempted with the information that the connection string contains. If this information is inadequate to make a connection, SQL_ERROR is returned.

When a connection is established, the complete connection string is returned.

Return codes

After you call `SQLDriverConnect()`, it returns one of the following values:

- SQL_SUCCESS
- SQL_SUCCESS_WITH_INFO
- SQL_NO_DATA_FOUND
- SQL_INVALID_HANDLE
- SQL_ERROR

Diagnostics

This function generates similar diagnostics as the function `SQLConnect()`. The following table shows the additional SQLSTATEs that `SQLDriverConnect()` returns.

Table 83. `SQLDriverConnect()` SQLSTATEs

SQLSTATE	Description	Explanation
01004	Data truncated.	The buffer that the <i>pszConnstrOut</i> argument specifies is not large enough to hold the complete connection string. The <i>pcbConnStrOut</i> argument contains the actual length, in bytes, of the connection string that is available for return. (<code>SQLDriverConnect()</code> returns <code>SQL_SUCCESS_WITH_INFO</code> for this SQLSTATE.)

Table 83. *SQLDriverConnect()* SQLSTATES (continued)

SQLSTATE	Description	Explanation
01S00	Invalid connection string attribute.	An invalid keyword or attribute value is specified in the input connection string, but the connection to the data source is successful because one of the following events occur: <ul style="list-style-type: none"> The unrecognized keyword is ignored. The invalid attribute value is ignored and the default value is used instead. (SQLDriverConnect() returns SQL_SUCCESS_WITH_INFO for this SQLSTATE.)
01S02	Option value changed.	SQL_CONNECTTYPE changes to SQL_CONCURRENT_TRANS while MULTICONTEXT=1 is in use.
HY090	Invalid string or buffer length.	This SQLSTATE is returned for one or more of the following reasons: <ul style="list-style-type: none"> The specified value for the <i>cbConnStrIn</i> argument is less than 0 and not equal to SQL_NTS. The specified value for the <i>cbConnStrOutMax</i> argument is less than 0.
HY110	Invalid driver completion.	The specified value for the <i>fDriverCompletion</i> argument is not equal to a valid value.

Restrictions

Db2 ODBC does not support the *hwindow* argument. Window handles do not apply in the z/OS environment.

Db2 ODBC does not support the following ODBC-defined values for the *fDriverCompletion* argument:

- SQL_DRIVER_PROMPT
- SQL_DRIVER_COMPLETE
- SQL_DRIVER_COMPLETE_REQUIRED

Example

The following example shows an application that uses *SQLDriverConnect()* instead of *SQLConnect()* to pass keyword values to the connection.

```

/*****
/* Issue SQLDriverConnect to pass a string of initialization
/* parameters to compliment the connection to the data source.
/*****
#include <stdio.h>
#include <string.h>
#include <stdlib.h>
#include "sqlcli1.h"
/*****
/* SQLDriverConnect -----
/*****
int main( )
{
    SQLHENV          hEnv      = SQL_NULL_HENV;
    SQLHDBC          hDbc      = SQL_NULL_HDBC;
    SQLRETURN        rc        = SQL_SUCCESS;
    SQLINTEGER       RETCODE   = 0;
    char             *ConnStrIn =
        "dsn=STLEC1;connecttype=2;bitdata=2;optimizefornrows=30";
    char             ConnStrOut [200];
    SQLSMALLINT      cbConnStrOut;
    int              i;

```

```

char          *token;
(void) printf ("**** Entering CLIP10.\n\n");

/*****
/* CONNECT to DB2
*****/
rc = SQLAllocHandle( SQL_HANDLE_ENV, SQL_NULL_HANDLE, &hEnv);
if( rc != SQL_SUCCESS )
    goto dberror;
/*****
/* Allocate connection handle to DSN
*****/
RETCODE = SQLAllocHandle( SQL_HANDLE_DBC, hEnv, &hDbc);
if( RETCODE != SQL_SUCCESS ) // Could not get a Connect Handle
    goto dberror;
/*****
/* Invoke SQLDriverConnect -----
*****/
RETCODE = SQLDriverConnect (hDbc
                            ,
                            NULL
                            , (SQLCHAR *)ConnStrIn
                            , strlen(ConnStrIn)
                            , (SQLCHAR *)ConnStrOut,
                            sizeof(ConnStrOut)
                            , &cbConnStrOut
                            , SQL_DRIVER_NOPROMPT);
if( RETCODE != SQL_SUCCESS ) // Could not get a Connect Handle
{
    (void) printf ("**** Driver Connect Failed. rc =
    goto dberror;
}
/*****
/* Enumerate keywords and values returned from SQLDriverConnect */
*****/
(void) printf ("**** ConnStrOut = %s.\n", ConnStrOut);
for (i = 1, token = strtok (ConnStrOut, ";");
     (token != NULL);
     token = strtok (NULL, ";"), i++)
    (void) printf ("**** Keyword #
/*****
/* DISCONNECT from data source
*****/
RETCODE = SQLDisconnect(hDbc);
if (RETCODE != SQL_SUCCESS)
    goto dberror;
/*****
/* Deallocate connection handle
*****/
RETCODE = SQLFreeHandle (SQL_HANDLE_DBC, hDbc);
if (RETCODE != SQL_SUCCESS)
    goto dberror;
/*****
/* Disconnect from data sources in connection table
*****/
SQLFreeHandle(SQL_HANDLE_ENV, hEnv); /* Free environment handle */
goto exit;
dberror:
RETCODE=12;
exit:
(void) printf ("**** Exiting CLIP10.\n\n");
return(RETCODE);
}

```

Figure 15. An application that passes keyword values as it connects

Related reference

[SQLAllocHandle\(\) - Allocate a handle](#)

SQLAllocHandle() allocates an environment handle, a connection handle, or a statement handle.

[SQLConnect\(\) - Connect to a data source](#)

SQLConnect() establishes a connection to the target database. The application must supply a target SQL database. You must use SQLAllocHandle() to allocate a connection handle before you can call SQLConnect(). Subsequently, you must call SQLConnect() before you allocate a statement handle.

[Function return codes](#)

Every ODBC function returns a return code that indicates whether the function invocation succeeded or failed.

Db2 ODBC initialization keywords

Db2 ODBC initialization keywords control the run time environment for Db2 ODBC applications.

SQLEndTran() - End transaction of a connection

SQLEndTran() requests a commit or rollback operation for all active transactions on all statements that are associated with a connection. SQLEndTran() can also request that a commit or rollback operation be performed for all connections that are associated with an environment.

ODBC specifications for SQLEndTran()

ODBC specification level	In X/Open CLI CAE specification?	In ISO CLI specification?
3.0	Yes	Yes

Syntax

```
SQLRETURN SQLEndTran (SQLSMALLINT HandleType,
                      SQLHANDLE Handle,
                      SQLSMALLINT CompletionType);
```

Function arguments

The following table lists the data type, use, and description for each argument in this function.

Data type	Argument	Use	Description
SQLSMALLINT	<i>HandleType</i>	input	Identifies the handle type. Contains either SQL_HANDLE_ENV if <i>Handle</i> is an environment handle or SQL_HANDLE_DBC if <i>Handle</i> is a connection handle.
SQLHANDLE	<i>Handle</i>	input	Specifies the handle, of the type indicated by <i>HandleType</i> , that indicates the scope of the transaction. See “Usage” on page 178 for more information.
SQLSMALLINT	<i>CompletionType</i>	input	Specifies whether to perform a commit or a rollback. Use one of the following values: <ul style="list-style-type: none"> SQL_COMMIT SQL_ROLLBACK

Usage

A new transaction is implicitly started when an SQL statement that can be contained within a transaction is executed against the current data source. The application might need to commit or roll back based on execution status.

If you set the *HandleType* argument to SQL_HANDLE_ENV and set the *Handle* argument to a valid environment handle, Db2 ODBC attempts to commit or roll back transactions one at a time on all connections that are in a connected state. Transactions are committed or rolled back depending on the value of the *CompletionType* argument.

If you set the *CompletionType* argument to `SQL_COMMIT`, `SQLEndTran()` issues a commit request for all statements on the connection. If *CompletionType* is `SQL_ROLLBACK`, `SQLEndTran()` issues a rollback request for all statements on the connection.

`SQLEndTran()` returns `SQL_SUCCESS` if it receives `SQL_SUCCESS` for each connection. If it receives `SQL_ERROR` on one or more connections, `SQLEndTran()` returns `SQL_ERROR` to the application, and the diagnostic information is placed in the diagnostic data structure of the environment. To determine which connections failed during the commit or rollback operation, call `SQLGetDiagRec()` for each connection.

Important: You must set the connection attribute `SQL_ATTR_CONNECTTYPE` to `SQL_COORDINATED_TRANS` (to indicate coordinated distributed transactions), for Db2 ODBC to provide coordinated global transactions with one-phase or two-phase commit protocols is made.

Completing a transaction has the following effects:

- Prepared SQL statements (which `SQLPrepare()` creates) survive transactions; they can be executed again without first calling `SQLPrepare()`.
- Cursor positions are maintained after a commit unless one or more of the following conditions are true:
 - The server is Db2 Server for VSE and VM.
 - The `SQL_ATTR_CURSOR_HOLD` statement attribute for this handle is set to `SQL_CURSOR_HOLD_OFF`.
 - The `CURSORHOLD` keyword in the Db2 ODBC initialization file is set so that cursor with hold is not in effect and this setting has not been overridden by resetting the `SQL_ATTR_CURSOR_HOLD` statement attribute.
 - The `CURSORHOLD` keyword is present in the `SQLDriverConnect()` connection string specifying that cursor-with-hold behavior is not in effect. Also you must not override this setting by resetting the `SQL_ATTR_CURSOR_HOLD` statement attribute.

If the cursor position is not maintained due to any one of the above circumstances, the cursor is closed and all pending results are discarded.

If the cursor position is maintained after a commit, the application must fetch to reposition the cursor (to the next row) before continuing to process the remaining result set.

To determine how transaction operations affect cursors, call `SQLGetInfo()` with the `SQL_CURSOR_ROLLBACK_BEHAVIOR` and `SQL_CURSOR_COMMIT_BEHAVIOR` attributes.

- Cursors are closed after a rollback, and all pending results are discarded.
- Statement handles are still valid after a call to `SQLEndTran()`, and they can be reused for subsequent SQL statements or deallocated by calling `SQLFreeStmt()` or `SQLFreeHandle()` with *HandleType* set to `SQL_HANDLE_STMT`.
- Cursor names, bound parameters, and column bindings survive transactions.

Regardless of whether Db2 ODBC is in autocommit mode or manual-commit mode, `SQLEndTran()` always sends the request to the database for execution.

Return codes

After you call `SQLGetDiagRec()`, it returns one of the following values:

- `SQL_SUCCESS`
- `SQL_SUCCESS_WITH_INFO`
- `SQL_INVALID_HANDLE`
- `SQL_ERROR`

Diagnostics

The following table lists each `SQLSTATE` that this function generates, with a description and explanation for each value.

Table 86. `SQLEndTran()` `SQLSTATEs`

SQLSTATE	Description	Explanation
01000	Warning.	An informational message was generated. (<code>SQLEndTran()</code> returns <code>SQL_SUCCESS_WITH_INFO</code> for this <code>SQLSTATE</code> .)
08003	Connection is closed.	The connection handle is not in a connected state.
08007	Connection failure during transaction.	The connection that is associated with the <i>Handle</i> argument failed during the execution of the function. No indication of whether the requested commit or rollback occurred before the failure is issued.
40001	Transaction rollback.	The transaction is rolled back due to a resource deadlock with another transaction.
HY000	General error.	An error occurred for which no specific <code>SQLSTATE</code> exists. The error message that is returned by <code>SQLGetDiagRec()</code> in the buffer that the <i>MessageText</i> argument specifies, describes the error and its cause.
HY001	Memory allocation failure.	Db2 ODBC is not able to allocate the memory that is required to support the execution or completion of the function.
HY010	Function sequence error.	<code>SQLExecute()</code> or <code>SQLExecDirect()</code> is called for the statement handle and return <code>SQL_NEED_DATA</code> . This function is called before data was sent for all data-at-execution parameters or columns. Invoke <code>SQLCancel()</code> to cancel the data-at-execution condition.
HY012	Invalid transaction code.	The specified value for the <i>CompletionType</i> argument was neither <code>SQL_COMMIT</code> nor <code>SQL_ROLLBACK</code> .
HY092	Option type out of range.	The specified value for the <i>HandleType</i> argument was neither <code>SQL_HANDLE_ENV</code> nor <code>SQL_HANDLE_DBC</code> .

Restrictions

`SQLEndTran()` cannot be used if the ODBC application is executing as a stored procedure.

Example

Refer to the DSN8P3VP sample application or online in the DSN1210.SDSNSAMP data set

Related concepts

[DSN8O3VP sample application](#)

The DSN8O3VP sample program validates the installation of Db2 ODBC.

[When to call `SQLEndTran\(\)`](#)

In manual-commit mode, `SQLEndTran()` must be called before `SQLDisconnect()` is called.

Related reference

[`SQLFreeHandle\(\)` - Free a handle](#)

`SQLFreeHandle()` frees an environment handle, a connection handle, or a statement handle.

[`SQLFreeStmt\(\)` - Free \(or reset\) a statement handle](#)

`SQLFreeStmt()` ends processing for a statement, to which a statement handle refers. You can use it to close a cursor or drop the statement handle to free the Db2 ODBC resources that are associated with the statement handle. Call `SQLFreeStmt()` after you execute an SQL statement and process the results.

[`SQLGetInfo\(\)` - Get general information](#)

SQLGetInfo() returns general information about the database management systems to which the application is currently connected. For example, SQLGetInfo() indicates which data conversions are supported.

Function return codes

Every ODBC function returns a return code that indicates whether the function invocation succeeded or failed.

SQLERROR() - Retrieve error information

SQLERROR() is a deprecated function and is replaced by SQLGetDiagRec().

ODBC Specifications for SQLERROR()

ODBC specification level	In X/Open CLI CAE specification?	In ISO CLI specification?
1.0 (Deprecated)	Yes	Yes

Syntax

```
SQLRETURN SQLERROR(
    (SQLHENV   henv,
     SQLHDBC   hdbc,
     SQLHSTMT  hstmt,
     SQLCHAR   FAR *szSqlState,
     SQLINTEGER FAR *pfNativeError,
     SQLCHAR   FAR *szErrorMsg,
     SQLSMALLINT cbErrorMsgMax,
     SQLSMALLINT FAR *pcbErrorMsg);
```

Function arguments

The following table lists the data type, use, and description for each argument in this function.

Data type	Argument	Use	Description
SQLHENV	<i>henv</i>	input	Environment handle. To obtain diagnostic information associated with an environment, pass a valid environment handle. Set <i>hdbc</i> and <i>hstmt</i> to SQL_NULL_HDBC and SQL_NULL_HSTMT respectively.
SQLHDBC	<i>hdbc</i>	input	Database connection handle. To obtain diagnostic information associated with a connection, pass a valid database connection handle, and set <i>hstmt</i> to SQL_NULL_HSTMT. The <i>henv</i> argument is ignored.
SQLHSTMT	<i>hstmt</i>	input	Statement handle. To obtain diagnostic information associated with a statement, pass a valid statement handle. The <i>henv</i> and <i>hdbc</i> arguments are ignored.
SQLCHAR *	<i>szSqlState</i>	output	SQLSTATE as a string of 5 characters terminated by a null character. The first 2 characters indicate error class; the next 3 indicate subclass. The values correspond directly to SQLSTATE values defined in the X/Open SQL CAE specification and the ODBC specification, augmented with IBM specific and product specific SQLSTATE values.

Table 88. *SQLError()* arguments (continued)

Data type	Argument	Use	Description
SQLINTEGER *	<i>pfNativeError</i>	output	Native error code. In Db2 ODBC, the <i>pfNativeError</i> argument contains the SQLCODE value returned by the database management system. If the error is generated by Db2 ODBC and not the database management system, then this field is set to -99999.
SQLCHAR *	<i>szErrorMsg</i>	output	<p>Pointer to buffer to contain the implementation defined message text. If the error is detected by Db2 ODBC, then the error message is prefaced by:</p> <pre>[DB2 for z/OS][CLI Driver]</pre> <p>This preface indicates that Db2 ODBC detected the error and a connection to a database has not yet been made.</p> <p>The error location, ERRLOC x:y:z, keyword value is embedded in the buffer also. This is an internal error code for diagnostics.</p> <p>If the error is detected during a database connection, then the error message returned from the database management system is prefaced by:</p> <pre>[DB2 for z/OS][CLI Driver][database server-name]</pre> <p><i>database management system-name</i> is the name that is returned by SQLGetInfo() with SQL_database management system_NAME information type.</p> <p>For example,</p> <pre>DB2 DB2/6000 Vendor</pre> <p><i>Vendor</i> indicates a non-IBM DRDA database management system.</p> <p>If the error is generated by the database management system, the IBM-defined SQLSTATE is appended to the text string.</p>
SQLSMALLINT	<i>cbErrorMsgMax</i>	input	The maximum (that is, the allocated) length, in bytes, of the buffer <i>szErrorMsg</i> . The recommended length to allocate is SQL_MAX_MESSAGE_LENGTH + 1.
SQLSMALLINT *	<i>pcbErrorMsg</i>	output	Pointer to total number of bytes available to return to the <i>szErrorMsg</i> buffer. This does not include the nul-terminator.

Related reference

[SQLGetDiagRec\(\) - Get multiple field settings of diagnostic record](#)

SQLGetDiagRec() returns the current values of multiple fields of a diagnostic record that contains error, warning, and status information. SQLGetDiagRec() also returns several commonly used fields of a diagnostic record, including the SQLSTATE, the native error code, and the error message text.

SQLExecDirect() - Execute a statement directly

SQLExecDirect() prepares and executes an SQL statement in one step.

SQLExecDirect() uses the current values of the parameter marker variables, if any parameters exist in the statement. The statement can only be executed once.

ODBC specifications for SQLExecDirect()

ODBC specification level	In X/Open CLI CAE specification?	In ISO CLI specification?
1.0	Yes	Yes

Syntax

```
SQLRETURN SQLExecDirect (SQLHSTMT FAR hstmt,
                          SQLCHAR *szSqlStr,
                          SQLINTEGER cbSqlStr);
```

Function arguments

The following table lists the data type, use, and description for each argument in this function.

Data type	Argument	Use	Description
SQLHSTMT	<i>hstmt</i>	input	Specifies the statement handle on which you execute the SQL statement. No open cursor can be associated with the statement handle you use for this argument. Refer to SQLFreeStmt() for more information about how to free or reset a statement handle.
SQLCHAR *	<i>szSqlStr</i>	input	Specifies the string that contains the SQL statement. The connected database server must be able to prepare the statement.
SQLINTEGER	<i>cbSqlStr</i>	input	Specifies the length, in bytes, of the contents of the <i>szSqlStr</i> argument. The length must be set to either the exact length of the statement, or if the statement is nul-terminated, set to SQL_NTS.

Usage

If you plan to execute an SQL statement more than once, or if you need to obtain information about columns in the result set before you execute a query, use SQLPrepare() and SQLExecute() instead of SQLExecDirect().

To use SQLExecDirect(), the connected database server must be able to dynamically prepare statement.

If the SQL statement text contains vendor escape clause sequences, Db2 ODBC first modifies the SQL statement text to the appropriate Db2-specific format before submitting it for preparation and execution. If your application does not generate SQL statements that contain vendor escape clause sequences, set

the `SQL_ATTR_NOSCAN` statement attribute to `SQL_NOSCAN_ON` at the connection level. When you set this attribute to `SQL_NOSCAN_ON`, you avoid the performance impact that statement scanning causes.

The SQL statement cannot be `COMMIT` or `ROLLBACK`. Instead, You must call `SQLEndTran()` to issue `COMMIT` or `ROLLBACK` statements.

The SQL statement string can contain parameter markers. A parameter marker is represented by a question mark (?) character, and it is used to indicate a position in the statement where an application-supplied value is to be substituted when `SQLExecDirect()` is called. You can obtain values for parameter markers from the following sources:

- An application variable.

`SQLBindParameter()` is used to bind the application storage area to the parameter marker.

- A LOB value residing at the server that is referenced by a LOB locator.

`SQLBindParameter()` is used to bind a LOB locator to a parameter marker. The actual value of the LOB is kept at the server and does not need to be transferred to the application before being used as the input parameter value for another SQL statement.

You must bind all parameters before you call `SQLExecDirect()`.

If the SQL statement is a query, `SQLExecDirect()` generates a cursor name and opens a cursor. If the application has used `SQLSetCursorName()` to associate a cursor name with the statement handle, Db2 ODBC associates the application-generated cursor name with the internally generated one.

If a result set is generated, `SQLFetch()` or `SQLExtendedFetch()` retrieves the next row or rows of data into bound variables. Data can also be retrieved by calling `SQLGetData()` for any column that was not bound.

If the SQL statement is a positioned `DELETE` or a positioned `UPDATE`, the cursor referenced by the statement must be positioned on a row and must be defined on a **separate** statement handle under the same connection handle.

No open cursor can exist on the statement handle before you execute an SQL statement on that handle.

If you call `SQLSetStmtAttr()` to specify that an array of input parameter values is bound to each parameter marker, you need to call `SQLExecDirect()` only once to process the entire array of input parameter values.

You cannot specify the `FOR n ROWS` clause in a `MERGE` statement that you execute with `SQLExecDirect()`. Use `SQLSetStmtAttr()` with the `SQL_ATTR_PARAMSET_SIZE` statement attribute to specify the number of rows to merge.

Return codes

After you call `SQLExecDirect()`, it returns one of the following values:

- `SQL_SUCCESS`
- `SQL_SUCCESS_WITH_INFO`
- `SQL_ERROR`
- `SQL_INVALID_HANDLE`
- `SQL_NEED_DATA`
- `SQL_NO_DATA_FOUND`

`SQL_NEED_DATA` is returned when the application requests data-at-execution parameter values. You call `SQLParamData()` and `SQLPutData()` to supply these values to `SQLExecDirect()`.

`SQL_SUCCESS` is returned if the SQL statement is a searched `UPDATE` or searched `DELETE` and no rows satisfy the search condition. Use `SQLRowCount()` to determine the number of rows in a table that were affected by an `UPDATE`, `INSERT`, or `DELETE` statement that was executed on the table, or on a view of the table.

Diagnostics

The following table lists each SQLSTATE that this function generates, with a description and explanation for each value.

Table 91. *SQLExecDirect()* SQLSTATES

SQLSTATE	Description	Explanation
01504	The UPDATE or DELETE statement does not include a WHERE clause.	The <i>szSqlStr</i> argument contains an UPDATE or DELETE statement but no WHERE clause. (The function returns SQL_SUCCESS_WITH_INFO or SQL_NO_DATA_FOUND if no rows are in the table.)
07001	Wrong number of parameters.	The number of parameters that are bound to application variables with <i>SQLBindParameter()</i> is less than the number of parameter markers in the SQL statement that the <i>szSqlStr</i> argument specifies.
07006	Invalid conversion.	Transfer of data between Db2 ODBC and the application variables would result in incompatible data conversion.
08S01	Communication link failure.	The communication link between the application and data source fails before the function completes.
21S01	Insert value list does not match column list.	The <i>szSqlStr</i> argument contains an INSERT statement and the number of values that are to be inserted do not match the degree of the derived table.
21S02	Degrees of derived table does not match column list.	The <i>szSqlStr</i> argument contains a CREATE VIEW statement, and the number of specified names is not the same degree as the derived table that is defined by the query specification.
22001	String data right truncation.	A character string that is assigned to a character type column exceeds the maximum length of the column.
22008	Invalid datetime format or datetime field overflow.	This SQLSTATE is returned for one or more of the following reasons: <ul style="list-style-type: none">• The <i>szSqlStr</i> argument contains an SQL statement with an invalid datetime format. (That is, an invalid string representation or value is specified, or the value is an invalid date.)• Datetime field overflow occurred. <p>Example: An arithmetic operation on a date or timestamp has a result that is not within the valid range of dates, or a datetime value cannot be assigned to a bound variable because it is too small.</p>
22012	Division by zero is invalid.	The <i>szSqlStr</i> argument contains an SQL statement with an arithmetic expression that caused division by zero.

Table 91. *SQLExecDirect()* SQLSTATEs (continued)

SQLSTATE	Description	Explanation
22018	Error in assignment.	This SQLSTATE is returned for one or more of the following reasons: <ul style="list-style-type: none"> The <i>szSqlStr</i> argument contains an SQL statement with a parameter or literal, and the value or LOB locator was incompatible with the data type of the associated table column. The length that is associated with a parameter value (the contents of the <i>pcbValue</i> buffer that is specified with the <i>SQLBindParameter()</i> function) is not valid. The <i>fSqlType</i> argument that is used in <i>SQLBindParameter()</i> denoted an SQL graphic data type, but the deferred length argument (<i>pcbValue</i>) contains an odd length value. The length value must be even for graphic data types.
23000	Integrity constraint violation.	The execution of the SQL statement is not permitted because the execution would cause an integrity constraint violation in the database management system.
24000	Invalid cursor state.	A cursor is open on the statement handle.
24504	The cursor identified in the UPDATE, DELETE, SET, or GET statement is not positioned on a row.	Results are pending on the statement handle from a previous query, or a cursor that is associated with the statement handle had not been closed.
34000	Invalid cursor name.	The <i>szSqlStr</i> argument contains a positioned DELETE or a positioned UPDATE statement, and the cursor that the statement references is not open.
37xxx ¹	Invalid SQL syntax.	The <i>szSqlStr</i> argument contains one or more of the following statement types: <ul style="list-style-type: none"> A COMMIT A ROLLBACK An SQL statement that the connected database server could not prepare A statement containing a syntax error
40001	Transaction rollback.	The transaction to which the SQL statement belongs is rolled back due to a deadlock or timeout.
42xxx ¹	Syntax error or access rule violation	These SQLSTATEs indicate one of the following errors: <ul style="list-style-type: none"> For 425xx, the authorization ID does not have permission to execute the SQL statement that the <i>szSqlStr</i> argument contains. For 42xxx, a variety of syntax or access problems with the statement occur.

Table 91. *SQLExecDirect()* SQLSTATEs (continued)

SQLSTATE	Description	Explanation
42895	The value of a host variable in the EXECUTE or OPEN statement cannot be used because of its data type	This SQLSTATE is returned for one or more of the following reasons: <ul style="list-style-type: none"> The LOB locator type that is specified on the bind parameter function call does not match the LOB data type of the parameter marker. The <i>fSqlType</i> argument, which is used on the bind parameter function, specifies a LOB locator type, but the corresponding parameter marker is not a LOB.
42S01	Database object already exists.	The <i>szSqlStr</i> argument contains a CREATE TABLE or CREATE VIEW statement, and the specified table name or view name already exists.
42S02	Database object does not exist.	The <i>szSqlStr</i> argument contains an SQL statement that references a table name or view name that does not exist.
42S11	Index already exists.	The <i>szSqlStr</i> argument contains a CREATE INDEX statement, and the specified index name already exists.
42S12	Index not found.	The <i>szSqlStr</i> argument contains a DROP INDEX statement, and the specified index name does not exist.
42S21	Column already exists.	The <i>szSqlStr</i> argument contains an ALTER TABLE statement, and the column that is specified in the ADD clause is not unique or identifies an existing column in the base table.
42S22	Column not found.	The <i>szSqlStr</i> argument contains an SQL statement that references a column name that does not exist.
44000	Integrity constraint violation.	When the <i>szSqlStr</i> argument contains an SQL statement with a parameter or literal, one of the following violations occur: <ul style="list-style-type: none"> The parameter value is NULL for a column that is defined as NOT NULL in the associated table column. A duplicate value is supplied for a column that is constrained to contain only unique values. An integrity constraint is violated.
58004	Unexpected system failure.	Unrecoverable system error.
HY001	Memory allocation failure.	Db2 ODBC is not able to allocate the required memory to support the execution or the completion of the function.
HY009	Invalid use of a null pointer.	The <i>szSqlStr</i> argument specifies a null pointer.
HY013	Unexpected memory handling error.	Db2 ODBC is not able to access the memory that is required to support execution or completion of the function.
HY014	No more handles.	Db2 ODBC is not able to allocate a handle due to low internal resources.

Table 91. *SQLExecDirect()* SQLSTATEs (continued)

SQLSTATE	Description	Explanation
HY019	Numeric value out of range.	This SQLSTATE is returned for one or more of the following reasons: <ul style="list-style-type: none">• A numeric value that is assigned to a numeric type column caused truncation of the whole part of the number, either at the time of assignment or in computing an intermediate result.• The <i>szSqlStr</i> argument contains an SQL statement with an arithmetic expression that causes division by zero.
HY090	Invalid string or buffer length.	The argument <i>cbSqlStr</i> is less than 1 but not equal to SQL_NTS.

Note:

1. xxx refers to any SQLSTATE with that class code. For example, **37**xxx refers to any SQLSTATE with class code '37'.

Example

Refer to `SQLFetch()` for a related example.

Related concepts

Differences between Db2 ODBC and embedded SQL

Even though key differences exist between Db2 ODBC and embedded SQL, Db2 ODBC can execute any SQL statements that can be prepared dynamically in embedded SQL.

Vendor escape clauses

Vendor escape clauses increase the portability of your application if your application accesses multiple data sources from different vendors. However, if your application accesses only Db2 data sources, you have no reason to use vendor escape clauses.

Related reference

SQLBindParameter() - Bind a parameter marker to a buffer or LOB locator

`SQLBindParameter()` binds parameter markers to application variables and extends the capability of the `SQLSetParam()` function.

SQLExecute() - Execute a statement

`SQLExecute()` executes a statement, which you successfully prepared with `SQLPrepare()`, once or multiple times. When you execute a statement with `SQLExecute()`, the current value of any application variables that are bound to parameter markers in that statement are used.

SQLExtendedFetch() - Fetch an array of rows

`SQLExtendedFetch()` extends the function of `SQLFetch()` by returning a *row set* array for each bound column. The value the `SQL_ATTR_ROWSET_SIZE` statement attribute determines the size of the row set that `SQLExtendedFetch()` returns.

SQLFetch() - Fetch the next row

`SQLFetch()` advances the cursor to the next row of the result set and retrieves any bound columns. Columns can be bound to either the application storage or LOB locators.

SQLFreeStmt() - Free (or reset) a statement handle

`SQLFreeStmt()` ends processing for a statement, to which a statement handle refers. You can use it to close a cursor or drop the statement handle to free the Db2 ODBC resources that are associated with the statement handle. Call `SQLFreeStmt()` after you execute an SQL statement and process the results.

SQLParamData() - Get next parameter for which a data value is needed

`SQLParamData()` is used in conjunction with `SQLPutData()` to send long data in pieces. You can also use this function to send fixed-length data.

SQLPrepare() - Prepare a statement

SQLPrepare() associates an SQL statement with the input statement handle and sends the statement to the database management system where it is prepared. The application can reference this prepared statement by passing the statement handle to other functions.

SQLPutData() - Pass a data value for a parameter

SQLPutData() supplies a parameter data value. This function can be used to send large parameter values in pieces. The information is returned in an SQL result set. This result set is retrieved by the same functions that process a result set that is generated by a query.

Function return codes

Every ODBC function returns a return code that indicates whether the function invocation succeeded or failed.

SQLSetParam() - Bind a parameter marker to a buffer

SQLSetParam() is a deprecated function and is replaced with SQLBindParameter().

SQLExecute() - Execute a statement

SQLExecute() executes a statement, which you successfully prepared with SQLPrepare(), once or multiple times. When you execute a statement with SQLExecute(), the current value of any application variables that are bound to parameter markers in that statement are used.

ODBC specifications for SQLExecute()

ODBC specification level	In X/Open CLI CAE specification?	In ISO CLI specification?
1.0	Yes	Yes

Syntax

```
SQLRETURN SQLExecute (SQLHSTMT hstmt);
```

Function arguments

The following table lists the data type, use, and description for each argument in this function.

Table 93. SQLExecute() arguments

Data type	Argument	Use	Description
SQLHSTMT	<i>hstmt</i>	input	Specifies a statement handle. No open cursor can be associated with the statement handle; see SQLFreeStmt() for more information.

Usage

Use SQLExecute() to execute an SQL statement that you prepared with SQLPrepare(). You can include parameter markers in this SQL statement. Parameter markers are question mark characters (?) that you place in the SQL statement string. When you call SQLExecute() to execute a statement that contains parameter markers, each of these markers is replaced with the contents of a host variable.

You must use SQLBindParameter() to associate all parameter markers in the statement string to an application-supplied values before you call SQLExecute(). This value can be obtained from one of the following sources:

- An application variable.

SQLBindParameter() is used to bind the application storage area to the parameter marker.

- A LOB value residing at the server that is referenced by a LOB locator.

`SQLBindParameter()` is used to bind a LOB locator to a parameter marker. The actual value of the LOB is kept at the server and does not need to be transferred to the application before being used as the input parameter value for another SQL statement.

You must bind all parameters before you call `SQLExecute()`.

After the application processes the results from the `SQLExecute()` call, it can execute the statement again with new (or the same) parameter values.

A statement that is executed by `SQLExecDirect()` cannot be re-executed by calling `SQLExecute()`; you must call `SQLPrepare()` before executing a statement with `SQLExecute()`.

If the prepared SQL statement is a query, `SQLExecute()` generates a cursor name, and opens the cursor. If the application uses `SQLSetCursorName()` to associate a cursor name with the statement handle, Db2 ODBC associates the application-generated cursor name with the internally generated one.

To execute a query more than once, you must close the cursor by calling `SQLFreeStmt()` with the *option* argument set to `SQL_CLOSE`. No open cursor can exist on the statement handle when calling `SQLExecute()`.

If a result set is generated, `SQLFetch()` or `SQLExtendedFetch()` retrieves the next row or rows of data into bound variables or LOB locators. You can also retrieve data by calling `SQLGetData()` for any column that was not bound.

If the SQL statement is a positioned DELETE or a positioned UPDATE, you must position the cursor that the statement references on a row at the time `SQLExecute()` is called, and define the cursor on a separate statement handle under the same connection handle.

If you call `SQLSetStmtAttr()` to specify that an array of input parameter values is bound to each parameter marker, you need to call `SQLExecDirect()` only once to process the entire array of input parameter values. If the executed statement returns multiple result sets (one for each set of input parameters), call `SQLMoreResults()` to advance to the next result set when processing on the current result set is complete.

Return codes

After you call `SQLExecute()`, it returns one of the following values:

- `SQL_SUCCESS`
- `SQL_SUCCESS_WITH_INFO`
- `SQL_ERROR`
- `SQL_INVALID_HANDLE`
- `SQL_NEED_DATA`
- `SQL_NO_DATA_FOUND`

`SQL_NEED_DATA` is returned when the application requests data-at-execution parameter values. You call `SQLParamData()` and `SQLPutData()` to supply these values to `SQLExecute()`.

`SQL_SUCCESS` is returned if the SQL statement is a searched UPDATE or searched DELETE and no rows satisfy the search condition. Use `SQLRowCount()` to determine the number of rows in a table that were affected by an UPDATE, INSERT, DELETE, or MERGE statement executed on the table, or on a view of the table.

Diagnostics

The SQLSTATEs that `SQLExecute()` returns include all the SQLSTATEs that `SQLExecDirect()` can generate, except for **HY009**, **HY014**, and **HY090**, and with the addition of **HY010**.

The following table lists and describes the additional SQLSTATE that `SQLExecute()` can return.

Table 94. *SQLExecute()* SQLSTATES

SQLSTATE	Description	Explanation
HY010	Function sequence error.	SQLExecute() is called on a statement prior to SQLPrepare().

Example

Refer to [SQLPrepare\(\)](#) for a related example.

Related reference

[SQLBindParameter\(\)](#) - Bind a parameter marker to a buffer or LOB locator

[SQLBindParameter\(\)](#) binds parameter markers to application variables and extends the capability of the [SQLSetParam\(\)](#) function.

[SQLExecDirect\(\)](#) - Execute a statement directly

[SQLExecDirect\(\)](#) prepares and executes an SQL statement in one step.

[SQLExtendedFetch\(\)](#) - Fetch an array of rows

[SQLExtendedFetch\(\)](#) extends the function of [SQLFetch\(\)](#) by returning a *row set* array for each bound column. The value the SQL_ATTR_ROWSET_SIZE statement attribute determines the size of the row set that [SQLExtendedFetch\(\)](#) returns.

[SQLFetch\(\)](#) - Fetch the next row

[SQLFetch\(\)](#) advances the cursor to the next row of the result set and retrieves any bound columns. Columns can be bound to either the application storage or LOB locators.

[SQLFreeStmt\(\)](#) - Free (or reset) a statement handle

[SQLFreeStmt\(\)](#) ends processing for a statement, to which a statement handle refers. You can use it to close a cursor or drop the statement handle to free the Db2 ODBC resources that are associated with the statement handle. Call [SQLFreeStmt\(\)](#) after you execute an SQL statement and process the results.

[SQLMoreResults\(\)](#) - Check for more result sets

[SQLMoreResults\(\)](#) returns more information about a statement handle. The information can be associated with an array of input parameter values for a query, or a stored procedure that returns results sets.

Function return codes

Every ODBC function returns a return code that indicates whether the function invocation succeeded or failed.

[SQLSetParam\(\)](#) - Bind a parameter marker to a buffer

[SQLSetParam\(\)](#) is a deprecated function and is replaced with [SQLBindParameter\(\)](#).

[SQLSetStmtAttr\(\)](#) - Set statement attributes

[SQLSetStmtAttr\(\)](#) sets attributes that are related to a statement. To set an attribute for all statements that are associated with a specific connection, an application can call [SQLSetConnectAttr\(\)](#).

SQLExtendedFetch() - Fetch an array of rows

[SQLExtendedFetch\(\)](#) extends the function of [SQLFetch\(\)](#) by returning a *row set* array for each bound column. The value the SQL_ATTR_ROWSET_SIZE statement attribute determines the size of the row set that [SQLExtendedFetch\(\)](#) returns.

ODBC specifications for SQLExtendedFetch()

ODBC specification level	In X/Open CLI CAE specification?	In ISO CLI specification?
1.0 (Deprecated)	No	No

Syntax

For 31-bit applications, use the following syntax:

```
SQLRETURN SQLExtendedFetch (SQLHSTMT      hstmt,
                             SQLUSMALLINT  fFetchType,
                             SQLINTEGER     irow,
                             SQLINTEGER FAR *pcrow,
                             SQLUSMALLINT FAR *rgfRowStatus);
```

For 64-bit applications, use the following syntax:

```
SQLRETURN SQLExtendedFetch (SQLHSTMT      hstmt,
                             SQLUSMALLINT  fFetchType,
                             SQLLEN         irow,
                             SQLULEN FAR    *pcrow,
                             SQLUSMALLINT FAR *rgfRowStatus);
```

Function arguments

The following table lists the data type, use, and description for each argument in this function.

Table 96. *SQLExtendedFetch()* arguments

Data type	Argument	Use	Description
SQLHSTMT	<i>hstmt</i>	input	Specifies the statement handle from which you retrieve an array data.
SQLUSMALLINT	<i>fFetchType</i>	input	Specifies the direction and type of fetch. Db2 ODBC supports only the fetch direction SQL_FETCH_NEXT (that is, forward-only cursor direction). The next array (row set) of data is always retrieved.
SQLINTEGER (31-bit) or SQLLEN (64-bit) ¹	<i>irow</i>	input	Reserved for future use. Use any integer for this argument.
SQLINTEGER *(31-bit) or SQLULEN *(64-bit) ²	<i>pcrow</i>	output	Returns the number of the rows that are actually fetched. If an error occurs during processing, the <i>pcrow</i> argument points to the ordinal position of the row (in the row set) that precedes the row where the error occurred. If an error occurs retrieving the first row, the <i>pcrow</i> argument points to the value 0.

Table 96. *SQLExtendedFetch()* arguments (continued)

Data type	Argument	Use	Description
SQLUSMALLINT *	<i>rgfRowStatus</i>	output	<p>Returns an array of status values. The number of elements must equal the number of rows in the row set (as defined by the SQL_ATTR_ROWSET_SIZE attribute). A status value for each row that is fetched is returned:</p> <ul style="list-style-type: none"> SQL_ROW_SUCCESS <p>If the number of rows fetched is less than the number of elements in the status array (that is, less than the row set size), the remaining status elements are set to SQL_ROW_NOROW.</p> <p>Db2 ODBC cannot detect whether a row has been updated or deleted since the start of the fetch. Therefore, the following ODBC-defined status values are not reported:</p> <ul style="list-style-type: none"> SQL_ROW_DELETED SQL_ROW_UPDATED

Notes:

1. For 64-bit applications, the data type SQLINTEGER, which was used in previous versions of Db2, is still valid. However, for maximum application portability, using SQLLEN is recommended.
2. For 64-bit applications, the data type SQLUINTEGER, which was used in previous versions of Db2, is still valid. However, for maximum application portability, using SQLULEN is recommended.

Usage

SQLExtendedFetch() performs an array fetch of a set of rows. An application specifies the size of the array by calling SQLSetStmtAttr() with the SQL_ROWSET_SIZE attribute.

You cannot mix SQLExtendedFetch() with SQLFetch() when you retrieve results.

Before SQLExtendedFetch() is called the first time, the cursor is positioned before the first row. After SQLExtendedFetch() is called, the cursor is positioned on the row in the result set corresponding to the last row element in the row set that was just retrieved.

To fetch one row of data at a time, call SQLFetch() instead of SQLExtendedFetch().

The number of elements in the *rgfRowStatus* array output buffer must equal the number of rows in the row set (as defined by the SQL_ROWSET_SIZE statement attribute). If the number of rows fetched is less than the number of elements in the status array, the remaining status elements are set to SQL_ROW_NOROW.

For any columns in the result set that are bound using the SQLBindCol() function, Db2 ODBC converts the data for the bound columns as necessary and stores it in the locations that are bound to these columns. The result set can be bound in a column-wise or row-wise fashion.

Column-wise binding: To bind a result set in column-wise fashion, an application specifies SQL_BIND_BY_COLUMN for the SQL_BIND_TYPE statement attribute. (This is the default value.) Then the application calls the SQLBindCol() function. To bind LOB column values to files, the application can call the SQLBindFileToCol() function.

When you call SQLExtendedFetch(), data for the first row is stored at the start of the buffer. Each subsequent row of data is stored at an offset of the number of bytes that you specify with the *cbValueMax* argument in the SQLBindCol() call. If, however, the associated C buffer type is fixed-width (such as SQL_C_LONG), the data is stored at an offset corresponding to that fixed-length from the data for the previous row.

For each bound column, the number of bytes that are available to return for each element is stored in the array buffer that the *pcbValue* argument on `SQLBindCol()` specifies. The number of bytes that are available to return for the first row of that column is stored at the start of the buffer. The number of bytes available to return for each subsequent row is stored at an offset equal to the value that the following C function returns:

```
sizeof(SQLINTEGER)
```

If the data in the column is null for a particular row, the associated element in the array that the *pcbValue* argument in `SQLBindCol()` points to is set to `SQL_NULL_DATA`.

Row-wise binding: The application needs to first call `SQLSetStmtAttr()` with the `SQL_BIND_TYPE` attribute, with the *vParam* argument set to the size of the structure capable of holding a single row of retrieved data and the associated data lengths for each column data value.

For each bound column, the first row of data is stored at the address given by the *rgbValue* argument in `SQLBindCol()`. Each subsequent row of data is separated by an offset equal to the number of bytes that you specify in the *vParam* argument in `SQLSetStmtAttr()` from the data for the previous row.

For each bound column, the number of bytes that are available to return for the first row is stored at the address given by the *pcbValue* argument in `SQLBindCol()`. Each subsequent value is separated by an offset equal to the number of bytes you specify in the *vParam* argument in `SQLBindCol()`.

Error handling: `SQLExtendedFetch()` returns errors in the same manner as `SQLFetch()` with the following exceptions:

- When a warning occurs that applies to a particular row in the rowset, `SQLExtendedFetch()` sets the corresponding entry in the row status array to `SQL_ROW_SUCCESS`, not `SQL_ROW_SUCCESS_WITH_INFO`.
- If errors occur in every row in the rowset, `SQLExtendedFetch()` returns `SQL_SUCCESS_WITH_INFO`, and not `SQL_ERROR`.
- In each group of status records that applies to an individual row, the first status record that is returned by `SQLExtendedFetch()` contains `SQLSTATE 01S01` (error in row). If `SQLExtendedFetch()` cannot return additional `SQLSTATES`, it returns only `SQLSTATE 01S01`.

Handling encoding schemes: The `CURRENTAPPENSCH` keyword in the initialization file and the *fCType* argument in `SQLBindCol()` or `SQLGetData()` determine the encoding scheme of any character or graphic data in the result set.

Return codes

After you call `SQLExtendedFetch()`, it returns one of the following values:

- `SQL_SUCCESS`
- `SQL_SUCCESS_WITH_INFO`
- `SQL_ERROR`
- `SQL_INVALID_HANDLE`
- `SQL_NO_DATA_FOUND`

Diagnostics

The following table lists each `SQLSTATE` that this function generates, with a description and explanation for each value.

Table 97. *SQLExtendedFetch()* SQLSTATES

SQLSTATE	Description	Explanation
01004	Data truncated.	The data that is returned for one or more columns is truncated. (<i>SQLExtendedFetch()</i> returns <code>SQL_SUCCESS_WITH_INFO</code> for this SQLSTATE.)
01S01	Error in row.	An error occurs while fetching one or more rows. (<i>SQLExtendedFetch()</i> returns <code>SQL_SUCCESS_WITH_INFO</code> for this SQLSTATE.)
07002	Too many columns.	This SQLSTATE is returned for one or more of the following reasons: <ul style="list-style-type: none"> • A column number that is specified in the bind of one or more columns is greater than the number of columns that are in the result set. • The application uses <code>SQLSetColAttributes()</code> to inform Db2 ODBC of the descriptor information of the result set, but it does not provide this information for every column that is in the result set.
07006	Invalid conversion.	The data value can not be converted in a meaningful manner to the data type that the <i>fCType</i> argument in <code>SQLBindCol()</code> specifies.
08S01	Communication link failure.	The communication link between the application and data source fails before the function completes.
22002	Invalid output or indicator buffer specified.	The <i>pcbValue</i> argument in <code>SQLBindCol()</code> specifies a null pointer and the value of the corresponding column is null. The function can not report <code>SQL_NULL_DATA</code> .
22008	Invalid datetime format or datetime field overflow.	This SQLSTATE is returned for one or more of the following reasons: <ul style="list-style-type: none"> • Conversion from character string to datetime format is indicated, but an invalid string representation or value is specified, or the value is an invalid date. • The value of a date, time, or timestamp does not conform to the syntax for the data type that is specified. • Datetime field overflow occurred. <p>Example: An arithmetic operation on a date or timestamp produces a result that is not within the valid range of dates, or a datetime value cannot be assigned to a bound variable because it is too small.</p>
22012	Division by zero is invalid.	A value from an arithmetic expression is returned that results in division by zero.
22018	Error in assignment.	This SQLSTATE is returned for one or more of the following reasons: <ul style="list-style-type: none"> • A returned value is incompatible with the data type of the bound column. • A returned LOB locator was incompatible with the data type of the bound column.

Table 97. *SQLExtendedFetch()* SQLSTATEs (continued)

SQLSTATE	Description	Explanation
24000	Invalid cursor state.	The SQL statement that is executed on the statement handle is not a query.
58004	Unexpected system failure.	Unrecoverable system error.
HY001	Memory allocation failure.	Db2 ODBC is not able to allocate the required memory to support the execution or the completion of the function.
HY010	Function sequence error.	This SQLSTATE is returned for one or more of the following reasons: <ul style="list-style-type: none"> • <i>SQLExtendedFetch()</i> is called on a statement handle after a <i>SQLFetch()</i> call, and before the <i>SQLFreeStmt()</i> (with the <i>fOption</i> argument set to <i>SQL_CLOSE</i>) call. • The function is called prior to calling <i>SQLPrepare()</i> or <i>SQLExecDirect()</i> on the statement handle. • The function is called during a data-at-execute operation. (That is, the function is called during a procedure that uses the <i>SQLParamData()</i> or <i>SQLPutData()</i> functions.)
HY013	Unexpected memory handling error.	Db2 ODBC is not able to access the memory that is required to support execution or completion of the function.
HY019	Numeric value out of range.	This SQLSTATE is returned for one or more of the following reasons: <ul style="list-style-type: none"> • A numeric value (as numeric or string) that is returned for one or more columns causes the whole part of a number to be truncated either at the time of assignment or in computing an intermediate result. • A value from an arithmetic expression is returned that results in division by zero.
HY106	Fetch type out of range.	The value that the <i>fFetchType</i> argument specifies is not recognized.
HYC00	Driver not capable.	This SQLSTATE is returned for one or more of the following reasons: <ul style="list-style-type: none"> • Db2 ODBC or the data source does not support the conversion that the <i>fType</i> argument in <i>SQLBindCol()</i> and the SQL data type of the corresponding column require. • A call to <i>SQLBindCol()</i> is made for a column data type that Db2 ODBC does not support. • The specified fetch type is recognized, but it is not supported.

Example

Although this function is deprecated in ODBC 3.0, this function is not deprecated in Db2 ODBC. However, ODBC applications should use *SQLFetchScroll()*, rather than *SQLExtendedFetch()*.

Example

The following example shows an application that uses *SQLExtendedFetch()* to perform an array fetch.

```
/* ... */
"SELECT deptnumb, deptname, id, name FROM staff, org \
```

```

WHERE dept=deptnumb AND job = 'Mgr';
/* Column-wise */
SQLINTEGER      deptnumb[ROWSET_SIZE];
SQLCHAR         deptname[ROWSET_SIZE][15];
SQLINTEGER      deptname_1[ROWSET_SIZE];
SQLSMALLINT     id[ROWSET_SIZE];
SQLCHAR         name[ROWSET_SIZE][10];
SQLINTEGER      name_1[ROWSET_SIZE];
/* Row-wise (Includes buffer for both column data and length) */
struct {
    SQLINTEGER      deptnumb_1; /* length */
    SQLINTEGER      deptnumb; /* value */
    SQLINTEGER      deptname_1;
    SQLCHAR         deptname[15];
    SQLINTEGER      id_1;
    SQLSMALLINT     id;
    SQLINTEGER      name_1;
    SQLCHAR         name[10];
}
R[ROWSET_SIZE];
SQLUSMALLINT     Row_Stat[ROWSET_SIZE];
SQLINTEGER      pcrow;
int              i;
/* ... */
/*****
/* Column-wise binding */
/*****
rc = SQLAllocHandle( SQL_HANDLE_STMT, hdbc, &hstmt);
rc = SQLSetStmtAttr(hstmt, SQL_ATTR_ROWSET_SIZE, (void*) ROWSET_SIZE, 0);
rc = SQLExecDirect(hstmt, stmt, SQL_NTS);
rc = SQLBindCol(hstmt, 1, SQL_C_LONG, (SQLPOINTER) deptnumb, 0, NULL);
rc = SQLBindCol(hstmt, 2, SQL_C_CHAR, (SQLPOINTER) deptname,
                15, deptname_1);
rc = SQLBindCol(hstmt, 3, SQL_C_SSHORT, (SQLPOINTER) id, 0, NULL);
rc = SQLBindCol(hstmt, 4, SQL_C_CHAR, (SQLPOINTER) name, 10, name_1);
/* Fetch ROWSET_SIZE rows at a time, and display */
printf("\nDEPTNUMB DEPTNAME      ID      NAME\n");
printf("-----\n");
while ((rc = SQLExtendedFetch(hstmt, SQL_FETCH_NEXT, 0,
    &pcrow, Row_Stat)) == SQL_SUCCESS) {
    for (i = 0; i < pcrow; i++) {
        printf("%8ld %-14s %8ld %-9s\n", deptnumb[i], deptname[i],
            id[i], name[i]);
    }
    if (pcrow < ROWSET_SIZE)
        break;
}
/* endwhile */
if (rc != SQL_NO_DATA_FOUND && rc != SQL_SUCCESS)
    CHECK_HANDLE(SQL_HANDLE_STMT, hstmt, rc);
rc = SQLFreeHandle(SQL_HANDLE_STMT, hstmt);
/*****
/* Row-wise binding */
/*****
rc = SQLAllocHandle( SQL_HANDLE_STMT, hdbc, &hstmt);
CHECK_HANDLE(SQL_HANDLE_STMT, hstmt, rc);
/* Set maximum number of rows to receive with each extended fetch */
rc = SQLSetStmtAttr(hstmt, SQL_ATTR_ROWSET_SIZE, (void*) ROWSET_SIZE, 0);
CHECK_HANDLE(SQL_HANDLE_STMT, hstmt, rc);
/*
 * Set vparam to size of one row, used as offset for each bindcol
 * rgbValue
 */
/* ie. &(R[0].deptnumb) + vparam = &(R[1].deptnumb) */
rc = SQLSetStmtAttr(hstmt, SQL_ATTR_BIND_TYPE,
    (void*) (sizeof(R) / ROWSET_SIZE), 0);
rc = SQLExecDirect(hstmt, stmt, SQL_NTS);
rc = SQLBindCol(hstmt, 1, SQL_C_LONG, (SQLPOINTER) &R[0].deptnumb, 0,
    &R[0].deptnumb_1);
rc = SQLBindCol(hstmt, 2, SQL_C_CHAR, (SQLPOINTER) R[0].deptname, 15,
    &R[0].deptname_1);
rc = SQLBindCol(hstmt, 3, SQL_C_SSHORT, (SQLPOINTER) &R[0].id, 0,
    &R[0].id_1);
rc = SQLBindCol(hstmt, 4, SQL_C_CHAR, (SQLPOINTER) R[0].name, 10, &R[0].name_1);
/* Fetch ROWSET_SIZE rows at a time, and display */
printf("\nDEPTNUMB DEPTNAME      ID      NAME\n");
printf("-----\n");
while ((rc = SQLExtendedFetch(hstmt, SQL_FETCH_NEXT, 0, &pcrow, Row_Stat))
    == SQL_SUCCESS) {
    for (i = 0; i < pcrow; i++) {
        printf("%8ld %-14s %8ld %-9s\n", R[i].deptnumb, R[i].deptname,
            R[i].id, R[i].name);
    }
}
if (pcrow < ROWSET_SIZE)

```

```

        break;
    }
    /* endwhile */
    if (rc != SQL_NO_DATA_FOUND && rc != SQL_SUCCESS)
        CHECK_HANDLE(SQL_HANDLE_STMT, hstmt, rc);
    /* Free handles, commit, exit */
    /* ... */

```

Figure 16. An application that performs an array fetch

Related concepts

Retrieval of a result set into an array

An application can issue a query statement and fetch rows from the result set that the query generates.

Related reference

[SQLBindCol\(\)](#) - Bind a column to an application variable

[SQLBindCol\(\)](#) binds a column to an application variable. You can call [SQLBindCol\(\)](#) once for each column in a result set from which you want to retrieve data or LOB locators.

[SQLExecDirect\(\)](#) - Execute a statement directly

[SQLExecDirect\(\)](#) prepares and executes an SQL statement in one step.

[SQLExecute\(\)](#) - Execute a statement

[SQLExecute\(\)](#) executes a statement, which you successfully prepared with [SQLPrepare\(\)](#), once or multiple times. When you execute a statement with [SQLExecute\(\)](#), the current value of any application variables that are bound to parameter markers in that statement are used.

[SQLFetch\(\)](#) - Fetch the next row

[SQLFetch\(\)](#) advances the cursor to the next row of the result set and retrieves any bound columns. Columns can be bound to either the application storage or LOB locators.

[SQLGetData\(\)](#) - Get data from a column

[SQLGetData\(\)](#) retrieves data for a single column in the current row of the result set. You can also use [SQLGetData\(\)](#) to retrieve large data values in pieces. After you call [SQLGetData\(\)](#) for each column, call [SQLFetch\(\)](#) or [SQLExtendedFetch\(\)](#) for each row that you want to retrieve.

[Function return codes](#)

Every ODBC function returns a return code that indicates whether the function invocation succeeded or failed.

[Db2 ODBC initialization keywords](#)

[Db2 ODBC initialization keywords](#) control the run time environment for Db2 ODBC applications.

SQLFetch() - Fetch the next row

[SQLFetch\(\)](#) advances the cursor to the next row of the result set and retrieves any bound columns. Columns can be bound to either the application storage or LOB locators.

ODBC specifications for SQLFetch()

ODBC specification level	In X/Open CLI CAE specification?	In ISO CLI specification?
1.0	Yes	Yes

Syntax

```
SQLRETURN SQLFetch (SQLHSTMT hstmt);
```

Function arguments

The following table lists the data type, use, and description for each argument in this function.

Table 99. *SQLFetch()* arguments

Data type	Argument	Use	Description
SQLHSTMT	<i>hstmt</i>	input	Specifies the statement handle from which to fetch data.

Usage

When you call `SQLFetch()`, Db2 ODBC performs the appropriate data transfer, along with any data conversion that was indicated when you bound the column. You can call `SQLGetData()` to retrieve the columns individually after the fetch.

You can call `SQLFetch()` only after you generate a result set. Any of the following actions generate a result set:

- Executing a query
- Calling `SQLGetTypeInfo()`
- Calling a catalog function

To retrieve multiple rows at a time, use `SQLExtendedFetch()`.

Call `SQLFetch()` to retrieve results into bound application variables and to advance the position of the cursor in a result set. You can call `SQLFetch()` only after a result set is generated on the statement handle. Before you call `SQLFetch()` for the first time, the cursor is positioned before the start of the result set.

The number of application variables bound with `SQLBindCol()` must not exceed the number of columns in the result set or `SQLFetch()` fails.

When you retrieve all the rows from the result set, or do not need the remaining rows, call `SQLFreeStmt()` or `SQLCloseCursor()` to close the cursor and discard the remaining data and associated resources.

If `SQLBindCol()` has not been called to bind any columns, then `SQLFetch()` does not return data to the application, but just advances the cursor. In this case, `SQLGetData()` can be called to obtain all of the columns individually. Data in unbound columns is discarded when `SQLFetch()` advances the cursor to the next row. For fixed-length data types, or small varying-length data types, binding columns provides better performance than using `SQLGetData()`.

Columns can be bound to application storage or you can use LOB locators.

Fetching into application storage: `SQLBindCol()` binds application storage to the column. You transfer data from the server to the application when you call `SQLFetch()`. The length of the data that is available to return is also set.

If LOB values are too large to retrieve in one fetch, retrieve these values in pieces either by using `SQLGetData()` (which can be used for any column type), or by binding a LOB locator and using `SQLGetSubString()`.

Fetching into LOB locators: `SQLBindCol()` is used to bind LOB locators to the column. Only the LOB locator (4 bytes) is transferred from the server to the application at fetch time.

When your application receives a locator, it can use the locator in `SQLGetSubString()`, `SQLGetPosition()`, `SQLGetLength()`, or as the value of a parameter marker in another SQL statement. `SQLGetSubString()` can either return another locator, or the data itself. All locators remain valid until the end of the transaction in which they are created (even when the cursor moves to another row), or until they are freed using the `FREE LOCATOR` statement.

Handling data truncation: If any bound storage buffers are not large enough to hold the data returned by `SQLFetch()`, the data is truncated. If character data is truncated, `SQL_SUCCESS_WITH_INFO` is returned, and an `SQLSTATE` is generated indicating truncation. The `SQLBindCol()` deferred output argument *pcbValue* contains the actual length, in bytes, of the column data retrieved from the server. The application should compare the actual output length to the input buffer length (*pcbValue* and *cbValueMax* arguments from `SQLBindCol()`) to determine which character columns are truncated.

Truncation of numeric data types is reported as a warning if the truncation involves digits to the right of the decimal point. If truncation occurs to the left of the decimal point, an error is returned (see “Diagnostics” on page 200).

Truncation of graphic data types is treated the same as character data types, except that the buffer you specify in the *rgbValue* argument for `SQLBindCol()`. This buffer is filled to the nearest multiple of two bytes that is less than or equal to the value you specify in the *cbValueMax* argument for `SQLBindCol()`. Graphic (DBCS) data transferred between Db2 ODBC and the application is not nul-terminated if the C buffer type is `SQL_C_CHAR`. If the buffer type is `SQL_C_DBCHAR`, then nul-termination of graphic data does occur.

To eliminate warnings when data is truncated, call `SQLSetStmtAttr()` with the `SQL_ATTR_MAX_LENGTH` attribute set to a maximum length value. Then allocate a buffer for the *rgbValue* argument that is the same number of bytes (plus the nul-terminator) as the value you specified for `SQL_ATTR_MAX_LENGTH`. If the column data is larger than the maximum length that you specified for `SQL_ATTR_MAX_LENGTH`, `SQL_SUCCESS` is returned. When you specify a maximum length, the length you specify, not the actual length, is returned in the *pcbValue* argument.

To retrieve multiple rows at a time, use `SQLExtendedFetch()`. You cannot mix `SQLFetch()` calls with `SQLExtendedFetch()` calls on the same statement handle.

Return codes

After you call `SQLFetch()`, it returns one of the following values:

- `SQL_SUCCESS`
- `SQL_SUCCESS_WITH_INFO`
- `SQL_ERROR`
- `SQL_INVALID_HANDLE`
- `SQL_NO_DATA_FOUND`

`SQL_NO_DATA_FOUND` is returned if no rows are in the result set, or previous `SQLFetch()` calls have fetched all the rows from the result set. If all the rows are fetched, the cursor is positioned after the end of the result set.

Diagnostics

The following table lists each `SQLSTATE` that this function generates, with a description and explanation for each value.

Table 100. `SQLFetch()` `SQLSTATE`s

SQLSTATE	Description	Explanation
01004	Data truncated.	The data that is returned for one or more columns is truncated. String values or numeric values are truncated on the right. (<code>SQLFetch()</code> returns <code>SQL_SUCCESS_WITH_INFO</code> for this <code>SQLSTATE</code> .)
07002	Too many columns.	This <code>SQLSTATE</code> is returned for one or more of the following reasons: <ul style="list-style-type: none"> • A column number that is specified in the bind for one or more columns is greater than the number of columns in the result set. • The application uses <code>SQLSetColAttributes()</code> to inform Db2 ODBC of the descriptor information of the result set, but does not provide this information for every column in the result set.

Table 100. *SQLFetch()* SQLSTATEs (continued)

SQLSTATE	Description	Explanation
07006	Invalid conversion.	The data value cannot be converted in a meaningful manner to the data type that the <i>fcType</i> argument in <i>SQLBindCol()</i> specifies.
08S01	Communication link failure.	The communication link between the application and data source fails before the function completes.
22002	Invalid output or indicator buffer specified.	The <i>pcbValue</i> argument in <i>SQLBindCol()</i> specifies a null pointer, and the value of the corresponding column is null. The function can not report SQL_NULL_DATA.
22008	Invalid datetime format or datetime field overflow.	This SQLSTATE is returned for one or more of the following reasons: <ul style="list-style-type: none"> • Conversion from character string to datetime format is indicated, but an invalid string representation or value is specified, or the value is an invalid date. • The value of a date, time, or timestamp does not conform to the syntax for the specified data type. • Datetime field overflow occurred. <p>Example: An arithmetic operation on a date or timestamp has a result that is not within the valid range of dates, or a datetime value cannot be assigned to a bound variable because it is too small.</p>
22012	Division by zero is invalid.	A value from an arithmetic expression is returned that results in division by zero.
22018	Error in assignment.	This SQLSTATE is returned for one or more of the following reasons: <ul style="list-style-type: none"> • A returned value is incompatible with the data type of binding. • A returned LOB locator is incompatible with the data type of the bound column.
24000	Invalid cursor state.	The previous SQL statement that is executed on the statement handle is not a query.
54028	Maximum LOB locator assigned.	The maximum number of concurrent LOB locators has been reached. A new locator can not be assigned.
58004	Unexpected system failure.	Unrecoverable system error.
HY001	Memory allocation failure.	Db2 ODBC is not able to allocate the required memory to support the execution or the completion of the function.
HY002	Invalid column number.	This SQLSTATE is returned for one or more of the following reasons: <ul style="list-style-type: none"> • The specified column is less than 0 or greater than the number of result columns. • The specified column is 0, but Db2 ODBC does not support ODBC bookmarks (<i>icol</i> = 0). • <i>SQLExtendedFetch()</i> is called for this result set.

Table 100. `SQLFetch()` `SQLSTATEs` (continued)

SQLSTATE	Description	Explanation
HY010	Function sequence error.	<p>This <code>SQLSTATE</code> is returned for one or more of the following reasons:</p> <ul style="list-style-type: none"> • <code>SQLFetch()</code> is called for a statement handle after <code>SQLExtendedFetch()</code> and before <code>SQLCloseCursor()</code>. • The function is called prior to <code>SQLPrepare()</code> or <code>SQLExecDirect()</code>. • The function is called during a data-at-execute operation. (That is, the function is called during a procedure that uses the <code>SQLParamData()</code> or <code>SQLPutData()</code> functions.)
HY013	Unexpected memory handling error.	Db2 ODBC is not able to access the memory that is required to support execution or completion of the function.
HY019	Numeric value out of range.	<p>This <code>SQLSTATE</code> is returned for one or more of the following reasons:</p> <ul style="list-style-type: none"> • Returning the numeric value (as numeric or string) for one or more columns causes the whole part of the number to be truncated either at the time of assignment or in computing an intermediate result. • A value from an arithmetic expression is returned that results in division by zero. <p>Important: The associated cursor is undefined if this error is detected by Db2 for z/OS. If the error is detected by Db2 for Linux, UNIX, and Windows or by other IBM relational database management systems, the cursor remains open and continues to advance on subsequent fetch calls.</p>
HYC00	Driver not capable.	<p>This <code>SQLSTATE</code> is returned for one or more of the following reasons:</p> <ul style="list-style-type: none"> • Db2 ODBC or the data source does not support the conversion that the <code>fCType</code> argument in <code>SQLBindCol()</code> and the SQL data type of the corresponding column require. • A call to <code>SQLBindCol()</code> was made for a column data type that is not supported by Db2 ODBC.

Example

The following example shows an application that uses `SQLFetch()` to retrieve data from bound columns of a result set.


```

/* ... */
/*****
** main
*****/
int
main( int argc, char * argv[] )
{
    SQLHENV          henv;
    SQLHDBC          hdbc;
    SQLHSTMT         hstmt;
    SQLRETURN        rc;
    SQLCHAR          sqlstmt[] = "SELECT deptname, location from org where
                                division = 'Eastern'";

    struct { SQLINTEGER ind;
            SQLCHAR  s[15];
            } deptname, location;
/* Macro to initialize server, uid and pwd */
    INIT_UID_PWD;
/* Allocate an environment handle */
    rc = SQLAllocHandle( SQL_HANDLE_ENV, SQL_NULL_HANDLE, &henv);
    if (rc != SQL_SUCCESS)
        return (terminate(henv, rc));
    rc = DBConnect(henv, &hdbc);/* allocate a connect handle, and connect */
    if (rc != SQL_SUCCESS)
        return (terminate(henv, rc));
    rc = SQLAllocHandle( SQL_HANDLE_STMT, hdbc, &hstmt);
    rc = SQLExecDirect(hstmt, sqlstmt, SQL_NTS);
    rc = SQLBindCol(hstmt, 1, SQL_C_CHAR, (SQLPOINTER) deptname.s, 15,
                    &deptname.ind);
    rc = SQLBindCol(hstmt, 2, SQL_C_CHAR, (SQLPOINTER) location.s, 15,
                    &location.ind);
    printf("Departments in Eastern division:\n");
    printf("DEPTNAME      Location\n");
    printf("-----\n");
    while ((rc = SQLFetch(hstmt)) == SQL_SUCCESS) {
        printf("%-14.14s %-14.14s \n", deptname.s, location.s);
    }
    if (rc != SQL_NO_DATA_FOUND)
        CHECK_HANDLE( SQL_HANDLE_STMT, hstmt, RETCODE);
    rc = SQLFreeHandle( SQL_HANDLE_STMT, hstmt);
    rc = SQLEndTran(SQL_HANDLE_DBC, hdbc, SQL_COMMIT);
    printf("Disconnecting .....\n");
    rc = SQLDisconnect(hdbc);
    rc = SQLFreeHandle( SQL_HANDLE_DBC, hdbc);
    rc = SQLFreeHandle( SQL_HANDLE_DBC, henv);
    if (rc != SQL_SUCCESS)
        return (terminate(henv, rc));
}
/* ... */
/* end main */

```

Figure 17. An application that retrieves data from bound columns

Related concepts

[The ODBC row status array](#)

The row status array returns the status of each row in the rowset.

Related reference

[SQLExecDirect\(\)](#) - Execute a statement directly

[SQLExecDirect\(\)](#) prepares and executes an SQL statement in one step.

[SQLExecute\(\)](#) - Execute a statement

[SQLExecute\(\)](#) executes a statement, which you successfully prepared with [SQLPrepare\(\)](#), once or multiple times. When you execute a statement with [SQLExecute\(\)](#), the current value of any application variables that are bound to parameter markers in that statement are used.

[SQLExtendedFetch\(\)](#) - Fetch an array of rows

[SQLExtendedFetch\(\)](#) extends the function of [SQLFetch\(\)](#) by returning a row set array for each bound column. The value the `SQL_ATTR_ROWSET_SIZE` statement attribute determines the size of the row set that [SQLExtendedFetch\(\)](#) returns.

[SQLGetData\(\)](#) - Get data from a column

SQLGetData() retrieves data for a single column in the current row of the result set. You can also use SQLGetData() to retrieve large data values in pieces. After you call SQLGetData() for each column, call SQLFetch() or SQLExtendedFetch() for each row that you want to retrieve.

Function return codes

Every ODBC function returns a return code that indicates whether the function invocation succeeded or failed.

SQLFetchScroll() - Fetch the next row

SQLFetchScroll() fetches the specified rowset of data from the result set of a query and returns data for all bound columns. Rowsets can be specified at an absolute position or a relative position.

ODBC specifications for SQLFetchScroll()

Table 101. SQLFetchScroll() specifications		
ODBC specification level	In X/Open CLI CAE specification?	In ISO CLI specification?
3.0	Yes	Yes

Syntax

For 31-bit applications, use the following syntax:

```
SQLRETURN SQLFetchScroll (
    SQLHSTMT StatementHandle,
    SQLUSMALLINT FetchOrientation,
    SQLINTEGER FetchOffset);
```

For 64-bit applications, use the following syntax:

```
SQLRETURN SQLFetchScroll (
    SQLHSTMT StatementHandle,
    SQLUSMALLINT FetchOrientation,
    SQLLEN FetchOffset);
```

Function arguments

The following table lists the data type, use, and description for each argument in this function.

Table 102. SQLFetchScroll() arguments			
Data type	Argument	Use	Description
SQLHSTMT	<i>hstmt</i>	input	Specifies the statement handle from which to fetch data.
SQLUSMALLINT	<i>FetchOrientation</i> <i>n</i>	input	Type of fetch: <ul style="list-style-type: none"> SQL_FETCH_NEXT SQL_FETCH_PRIOR SQL_FETCH_FIRST SQL_FETCH_LAST SQL_FETCH_ABSOLUTE SQL_FETCH_RELATIVE <p>Db2 ODBC does not support SQL_FETCH_BOOKMARK. See “Usage” on page 205 for more information.</p>

Table 102. *SQLFetchScroll()* arguments (continued)

Data type	Argument	Use	Description
SQLINTEGER (31-bit) or SQLLEN (64-bit) ¹	<i>FetchOffset</i>	input	Number of the row to fetch. The interpretation of this argument depends on the value of the <i>FetchOrientation</i> argument. See “Usage” on page 205 for more information.

Notes:

- For 64-bit applications, the data type SQLINTEGER, which was used in previous versions of Db2, is still valid. However, for maximum application portability, using SQLLEN is recommended.

Usage

SQLFetchScroll() returns a specified rowset from a result set. Rowsets can be specified by absolute or relative position. *SQLFetchScroll()* can be called only after a call that creates a result set and before the cursor over that result set is closed. If any columns are bound, *SQLFetchScroll()* returns the data in those columns. If the application specifies a pointer to a row status array or a buffer in which to return the number of rows that were fetched, *SQLFetchScroll()* returns this information. Calls to *SQLFetchScroll()* can be mixed with calls to *SQLFetch()*. An *SQLFetch()* call is equivalent to *SQLFetchScroll()* with a *FetchOrientation* value of *SQL_FETCH_NEXT*. *SQLFetchScroll()* calls cannot be mixed with *SQLExtendedFetch()* calls.

How to position the cursor: When a result set is created, the cursor is positioned before the start of the result set. *SQLFetchScroll()* positions the block cursor based on the values of the *FetchOrientation* and *FetchOffset* arguments. The rules for determining the start of the new rowset are shown in the next section.

The following table defines the *FetchOrientation* values.

Table 103. Meanings of *FetchOrientation* values

FetchOrientation value	Meaning
<i>SQL_FETCH_NEXT</i>	Return the next rowset. This is equivalent to calling <i>SQLFetch()</i> . <i>SQLFetchScroll()</i> ignores the value of <i>FetchOffset</i> .
<i>SQL_FETCH_PRIOR</i>	Return the prior rowset. <i>SQLFetchScroll()</i> ignores the value of <i>FetchOffset</i> .
<i>SQL_FETCH_RELATIVE</i>	Return the rowset that is <i>FetchOffset</i> from the start of the current rowset.
<i>SQL_FETCH_ABSOLUTE</i>	Return the rowset that starts at row <i>FetchOffset</i> .
<i>SQL_FETCH_FIRST</i>	Return the first rowset in the result set. <i>SQLFetchScroll()</i> ignores the value of <i>FetchOffset</i> .
<i>SQL_FETCH_LAST</i>	Return the last complete rowset in the result set. <i>SQLFetchScroll()</i> ignores the value of <i>FetchOffset</i> .

The *SQL_ATTR_ROW_ARRAY_SIZE* statement attribute specifies the number of rows in the rowset. If the rowset that is being fetched by *SQLFetchScroll()* goes beyond the end of the result set, *SQLFetchScroll()* returns a partial rowset. That is, if S is the starting row of the rowset, R is the rowset size, and L is the length of the result set, and S+R-1 is greater than L, only the first L-S+1 rows of the rowset are valid. The remaining rows are empty and have a status of *SQL_ROW_NOROW*.

After `SQLFetchScroll()` completes, the rowset cursor is positioned on the first row of the rowset.

Cursor positioning rules: The following information describes the rules for determining the start of the new rowset for each value of *FetchOrientation*. These rules use the following notation:

Fetch orientation notation	Meaning
<i>BeforeStart</i>	The block cursor is positioned before the start of the result set. If the first row of the rowset is before the start of the result set, <code>SQLFetchScroll()</code> returns <code>SQL_NO_DATA</code> .
<i>AfterEnd</i>	The block cursor is positioned after the end of the result set. If the first row of the rowset is after the end of the result set, <code>SQLFetchScroll()</code> returns <code>SQL_NO_DATA</code> .
<i>CurrRowsetStart</i>	The number of the first row in the current rowset.
<i>LastResultRow</i>	The number of the last row in the result set.
<i>RowsetSize</i>	The rowset size.
<i>FetchOffset</i>	The value of the <i>FetchOffset</i> argument in the <code>SQLFetchScroll()</code> call.

The following table describes the rules for determining the start of the new rowset when the *FetchOrientation* value is `SQL_FETCH_NEXT`.

*Table 104. Cursor position when `SQLFetchScroll()` parameter *FetchOrientation* is `SQL_FETCH_NEXT`*

Condition	First row of the new rowset
<i>BeforeStart</i>	1
$CurrRowsetStart + RowsetSize \leq LastResultRow$	$CurrRowsetStart + RowsetSize$
$CurrRowsetStart + RowsetSize > LastResultRow$	<i>AfterEnd</i>
<i>AfterEnd</i>	<i>AfterEnd</i>

The following table describes the rules for determining the start of the new rowset when the *FetchOrientation* value is `SQL_FETCH_PRIOR`.

*Table 105. Cursor position when `SQLFetchScroll()` parameter *FetchOrientation* is `SQL_FETCH_PRIOR`*

Condition	First row of the new rowset
<i>BeforeStart</i>	<i>BeforeStart</i>
$CurrRowsetStart = 1$	<i>BeforeStart</i>
$1 < CurrRowsetStart \leq RowsetSize$	1 ¹ on page 206
$CurrRowsetStart > RowsetSize$	$CurrRowsetStart - RowsetSize$
<i>AfterEnd</i> and $LastResultRow < RowsetSize$	1 ¹ on page 206
<i>AfterEnd</i> and $LastResultRow \geq RowsetSize$	$LastResultRow - RowsetSize + 1$

Note:

1. `SQLFetchScroll()` returns `SQLSTATE 01S06` (attempt to fetch before the result set returned the first rowset) and `SQL_SUCCESS_WITH_INFO`.

The following table describes the rules for determining the start of the new rowset when the *FetchOrientation* value is `SQL_FETCH_RELATIVE`.

Table 106. Cursor position when `SQLFetchScroll()` parameter *FetchOrientation* is `SQL_FETCH_RELATIVE`

Condition	First row of the new rowset
<code>BeforeStart AND FetchOffset > 0</code>	"1" on page 207
<code>AfterEnd AND FetchOffset < 0</code>	"1" on page 207
<code>BeforeStart AND FetchOffset <= 0</code>	<i>BeforeStart</i>
<code>CurrRowsetStart=1 AND FetchOffset < 0</code>	<i>BeforeStart</i>
<code>CurrRowsetStart > 1 AND CurrRowsetStart + FetchOffset < 1 AND ABS(FetchOffset) > RowsetSize</code>	<i>BeforeStart</i>
<code>CurrRowsetStart > 1 AND CurrRowsetStart + FetchOffset < 1 AND ABS(FetchOffset) <= RowsetSize</code>	1 "2" on page 207
<code>1 <= (CurrRowsetStart + FetchOffset) <= LastResultRow</code>	<i>CurrRowsetStart + FetchOffset</i>
<code>(CurrRowsetStart + FetchOffset) > LastResultRow</code>	<i>AfterEnd</i>
<code>AfterEnd AND FetchOffset >= 0</code>	<i>AfterEnd</i>
<code>FetchOffset = 0</code>	Unchanged "3" on page 207

Note:

1. `SQLFetchScroll()` returns the same rowset that is returned when it is called with *FetchOrientation* set to `SQL_FETCH_ABSOLUTE`.
2. `SQLFetchScroll()` returns `SQLSTATE 01S06` (attempt to fetch before the result set returned the first rowset) and `SQL_SUCCESS_WITH_INFO`.
3. This is a special command to fetch data again. If the cursor is a sensitive cursor, data is refetched from the base table. If the cursor is an insensitive cursor, the buffer remains unchanged. A cursor is insensitive for one of the following reasons:
 - The statement attribute for the associated statement is `SQL_ATTR_CURSOR_SENSITIVITY` or `SQL_INSENSITIVE`.
 - The query is read-only.

The following table describes the rules for determining the start of the new rowset when the *FetchOrientation* value is `SQL_FETCH_ABSOLUTE`.

Table 107. Cursor position when `SQLFetchScroll()` parameter *FetchOrientation* is `SQL_FETCH_ABSOLUTE`

Condition	First row of the new rowset
<code>FetchOffset < 0 AND ABS(FetchOffset) <= LastResultRow</code>	<i>LastResultRow + FetchOffset + 1</i>
<code>FetchOffset < 0 AND ABS(FetchOffset) > LastResultRow AND ABS(FetchOffset) > RowSetSize</code>	<i>BeforeStart</i>

Table 107. Cursor position when `SQLFetchScroll()` parameter `FetchOrientation` is `SQL_FETCH_ABSOLUTE` (continued)

Condition	First row of the new rowset
<code>FetchOffset < 0 AND ABS(FetchOffset) > LastResultRow AND ABS(FetchOffset) <= RowsetSize</code>	1 "1" on page 208
<code>FetchOffset = 0</code>	<code>BeforeStart</code>
<code>1 <= FetchOffset <= LastResultRow</code>	<code>FetchOffset</code>
<code>FetchOffset > LastResultRow</code>	<code>AfterEnd</code>

Note:

1. `SQLFetchScroll()` returns `SQLSTATE 01S06` (attempt to fetch before the result set returned the first rowset) and `SQL_SUCCESS_WITH_INFO`.

The following table describes the rules for determining the start of the new rowset when the `FetchOrientation` value is `SQL_FETCH_FIRST`.

Table 108. Cursor position when `SQLFetchScroll()` parameter `FetchOrientation` is `SQL_FETCH_FIRST`

Condition	First row of the new rowset
Any	1

The following table describes the rules for determining the start of the new rowset when the `FetchOrientation` value is `SQL_FETCH_LAST`.

Table 109. Cursor position when `SQLFetchScroll()` parameter `FetchOrientation` is `SQL_FETCH_LAST`

Condition	First row of the new rowset
<code>RowsetSize <= LastResultRow</code>	<code>LastResultRow - RowsetSize + 1</code>
<code>RowsetSize > LastResultRow</code>	1

Data in bound columns: `SQLFetchScroll()` returns data in bound columns in the same way as `SQLFetch()`. If no columns are bound, `SQLFetchScroll()` does not return data, but moves the block cursor to the specified position. As with `SQLFetch()`, you can use `SQLGetData()` to retrieve the values for each column.

Buffer addresses: `SQLFetchScroll()` uses the same formula to determine the address of data and length and indicator buffers as `SQLFetch()`.

Error handling: `SQLFetchScroll()` returns errors and warnings in the same manner as `SQLFetch()`.

Return codes

After you call `SQLFetchScroll()`, it returns one of the following values:

- `SQL_SUCCESS`
- `SQL_SUCCESS_WITH_INFO`
- `SQL_ERROR`
- `SQL_INVALID_HANDLE`
- `SQL_NO_DATA_FOUND`

Diagnostics

The return code that is associated with each SQLSTATE value is SQL_ERROR, unless noted otherwise.

The following table lists each SQLSTATE that this function generates, with a description and explanation for each value.

Table 110. SQLFetchScroll SQLSTATES

SQLSTATE	Description	Explanation
01000	Warning.	Informational message. (Function returns SQL_SUCCESS_WITH_INFO.)
01004	Data truncated.	String or binary data that was returned for a column resulted in the truncation of non-blank character data or non-NULL binary data. String values are right truncated. (Function returns SQL_SUCCESS_WITH_INFO.)
01S06	Attempt to fetch before the result set returned the first rowset.	The requested rowset overlapped the start of the result set when the current position was beyond the first row, and either of the following conditions was true: <ul style="list-style-type: none">• <i>FetchOrientation</i> was SQL_PRIOR• <i>FetchOrientation</i> was SQL_RELATIVE with a negative <i>FetchOffset</i> whose absolute value was less than or equal to the current SQL_ATTR_ROW_ARRAY_SIZE. (Function returns SQL_SUCCESS_WITH_INFO.)
01S07	Fractional truncation.	The data that was returned for a column was truncated. For numeric data types, the fractional part of the number was truncated. For time or timestamp data types, or interval data types with a time component, the fractional portion of the time was truncated.
07002	Too many columns.	A column number that was specified in the binding of one or more columns was greater than the number of columns in the result set.
07006	Invalid conversion.	A data value of a column in the result set could not be converted to the C data type that was specified by <i>TargetType</i> in SQLBindCol().
08S01	Communication link failure.	The communication link between Db2 ODBC and the data source to which it was connected failed before the function completed processing.
22001	String data right truncation.	A variable-length bookmark that was returned for a row was truncated.
22002	Invalid output or indicator buffer specified.	NULL data was fetched into a column whose <i>pcbValue</i> , which was set by SQLBindCol(), was a null pointer.
22003	Numeric value out of range.	Data was not returned because returning the numeric value (as numeric or string) for one or more bound columns would have caused the whole (as opposed to fractional) part of the number to be truncated.
22007	Invalid datetime format.	A character column in the result set was bound to a date, time, or timestamp C structure, and a value in the column was an invalid date, time, or timestamp.
22012	Division by zero is invalid.	An arithmetic expression resulted in division by zero.

Table 110. SQLFetchScroll SQLSTATEs (continued)

SQLSTATE	Description	Explanation
22018	Invalid character value for cast specification.	<p>One of the following conditions occurred:</p> <ul style="list-style-type: none"> • A character column in the result set was bound to a character C buffer, and the column contained a character for which there was no representation in the character set of the buffer. • A character column in the result set was bound to an approximate numeric C buffer, and a value in the column could not be cast to a valid approximate numeric value. • A character column in the result set was bound to an exact numeric C buffer and a value in the column could not be cast to a valid exact numeric value. • A character column in the result set was bound to a datetime C buffer and a value in the column could not be cast to a valid datetime value.
24000	Invalid cursor state.	The <i>StatementHandle</i> was in an executed state but no result set was associated with the <i>StatementHandle</i> .
40001	Transaction rollback.	The transaction in which the fetch was executed was terminated to prevent deadlock.
HY000	General error.	An error occurred for which there was no specific SQLSTATE. The error message that was returned by SQLGetDiagRec () in the * <i>MessageText</i> buffer describes the error and its cause.
HY001	Memory allocation failure.	Db2 ODBC was unable to allocate memory required to support execution or completion of the function. Process-level memory might have been exhausted for the application process. Consult the operating system configuration for information on process-level memory limitations.
HY008	Operation was canceled.	Before the function completed execution, SQLCancel () was called on <i>StatementHandle</i> from a different thread in a multithreaded application.
HY010	Function sequence error.	<p>One of the following conditions occurred:</p> <ul style="list-style-type: none"> • The specified <i>StatementHandle</i> was not in an executed state. The function was called without a previous call of SQLExecDirect (), SQLExecute (), or a catalog function. • SQLExecute () or SQLExecDirect () was called for the <i>StatementHandle</i> and returned SQL_NEED_DATA. SQLFetchScroll () was called before data was sent for all data-at-execution parameters or columns. • SQLFetchScroll () was called for a <i>StatementHandle</i> after SQLFetch () was called, and before SQLFreeStmt () was called with the SQL_CLOSE option, or before SQLMoreResults () was called. The connection was to a down-level server. • SQLFetchScroll () was called for a <i>StatementHandle</i> after SQLExtendedFetch () was called and before SQLFreeStmt () with SQL_CLOSE was called.

Table 110. SQLFetchScroll SQLSTATEs (continued)

SQLSTATE	Description	Explanation
HY106	Fetch type out of range.	The value that was specified for the argument <i>FetchOrientation</i> was invalid. The value of the SQL_CURSOR_TYPE statement attribute was SQL_CURSOR_FORWARD_ONLY, and the value of argument <i>FetchOrientation</i> was not SQL_FETCH_NEXT.
HYC00	Driver not capable.	The specified fetch type is not supported. The conversion that is specified by the combination of <i>TargetType</i> in SQLBindCol() and the SQL data type of the corresponding column is not supported.

Related concepts

[The ODBC row status array](#)

The row status array returns the status of each row in the rowset.

[Scrollable cursors in Db2 ODBC](#)

Scrollable cursors let you move backward and forward in a query result set.

Related reference

[SQLBindCol\(\) - Bind a column to an application variable](#)

SQLBindCol() binds a column to an application variable. You can call SQLBindCol() once for each column in a result set from which you want to retrieve data or LOB locators.

[SQLCancel\(\) - Cancel statement](#)

SQLCancel() terminates an SQLExecDirect() or SQLExecute() sequence prematurely.

[SQLDescribeCol\(\) - Describe column attributes](#)

SQLDescribeCol() returns commonly used descriptor information about a column in a result set that a query generates. Before you call this function, you must call either SQLPrepare() or SQLExecDirect().

[SQLExecDirect\(\) - Execute a statement directly](#)

SQLExecDirect() prepares and executes an SQL statement in one step.

[SQLFetch\(\) - Fetch the next row](#)

SQLFetch() advances the cursor to the next row of the result set and retrieves any bound columns. Columns can be bound to either the application storage or LOB locators.

[SQLNumResultCols\(\) - Get number of result columns](#)

SQLNumResultCols() returns the number of columns in the result set that is associated with the input statement handle. SQLPrepare() or SQLExecDirect() must be called before you call SQLNumResultCols(). After you call SQLNumResultCols(), you can call SQLColAttribute() or one of the bind column functions.

[SQLSetPos - Set the cursor position in a rowset](#)

SQLSetPos() sets the cursor position in a rowset. Once the cursor is set, the application can refresh, update, and delete data in the rows.

[SQLSetStmtAttr\(\) - Set statement attributes](#)

SQLSetStmtAttr() sets attributes that are related to a statement. To set an attribute for all statements that are associated with a specific connection, an application can call SQLSetConnectAttr().

SQLForeignKeys() - Get a list of foreign key columns

SQLForeignKeys() returns information about foreign keys for the specified table. The information is returned in an SQL result set, which can be processed using the same functions that are used to retrieve a result that is generated by a query.

ODBC specifications for SQLForeignKeys()

Table 111. SQLForeignKeys() specifications		
ODBC specification level	In X/Open CLI CAE specification?	In ISO CLI specification?
1.0	No	No

Syntax

```
SQLRETURN SQLForeignKeys (SQLHSTMT hstmt,
SQLCHAR FAR *szPkCatalogName,
SQLSMALLINT cbPkCatalogName,
SQLCHAR FAR *szPkSchemaName,
SQLSMALLINT cbPkSchemaName,
SQLCHAR FAR *szPkTableName,
SQLSMALLINT cbPkTableName,
SQLCHAR FAR *szFkCatalogName,
SQLSMALLINT cbFkCatalogName,
SQLCHAR FAR *szFkSchemaName,
SQLSMALLINT cbFkSchemaName,
SQLCHAR FAR *szFkTableName,
SQLSMALLINT cbFkTableName);
```

Function arguments

The following table lists the data type, use, and description for each argument in this function.

Table 112. SQLForeignKeys() arguments			
Data type	Argument	Use	Description
SQLHSTMT	<i>hstmt</i>	input	Specifies the statement handle on which to return results.
SQLCHAR *	<i>szPkCatalogName</i>	input	Specifies the catalog qualifier of the primary key table. This must be a null pointer or a zero length string.
SQLSMALLINT	<i>cbPkCatalogName</i>	input	Specifies the length, in bytes, of the <i>szPkCatalogName</i> argument. This must be set to 0.
SQLCHAR *	<i>szPkSchemaName</i>	input	Specifies the schema qualifier of the primary key table.
SQLSMALLINT	<i>cbPkSchemaName</i>	input	Specifies the length, in bytes, of the <i>szPkSchemaName</i> argument.
SQLCHAR *	<i>szPkTableName</i>	input	Specifies the name of the table that contains the primary key.
SQLSMALLINT	<i>cbPkTableName</i>	input	Specifies the length, in bytes, of the <i>szPkTableName</i> argument.
SQLCHAR *	<i>szFkCatalogName</i>	input	Specifies the catalog qualifier of the table that contains the foreign key. This must be a null pointer or a zero length string.

Table 112. *SQLForeignKeys()* arguments (continued)

Data type	Argument	Use	Description
SQLSMALLINT	<i>cbFkCatalogName</i>	input	Specifies the length, in bytes, of the <i>szFkCatalogName</i> argument. This must be set to 0.
SQLCHAR *	<i>szFkSchemaName</i>	input	Specifies the schema qualifier of the table that contains the foreign key.
SQLSMALLINT	<i>cbFkSchemaName</i>	input	Specifies the length, in bytes, of the <i>szFkSchemaName</i> argument.
SQLCHAR *	<i>szFkTableName</i>	input	Specifies the name of the table that contains the foreign key.
SQLSMALLINT	<i>cbFkTableName</i>	input	Specifies the length, in bytes, of the <i>szFkTableName</i> argument.

Usage

If the *szPkTableName* argument contains a table name and the *szFkTableName* argument is an empty string, *SQLForeignKeys()* returns a result set containing the primary key of the specified table and all of the foreign keys (in other tables) that refer to it.

If the *szFkTableName* argument contains a table name and the *szPkTableName* argument is an empty string, *SQLForeignKeys()* returns a result set that contains all of the foreign keys in the table that you specify in the *szFkTableName* argument and the all the primary keys (on other tables) to which they refer.

If both of the *szPkTableName* argument and the *szFkTableName* argument contain table names, *SQLForeignKeys()* returns foreign keys that refer to the primary key of the table that you specify in the *szPkTableName* argument from the table that you specify in the *szFkTableName* argument. All foreign keys that this type of *SQLForeignKeys()* call returns refer to a single primary key.

If you do not specify a schema qualifier argument that is associated with a table name, Db2 ODBC uses the schema name that is currently in effect for the current connection.

The following table lists each column in the result set that *SQLForeignKeys()* currently returns.

Table 113. Columns returned by *SQLForeignKeys()*

Column number	Column name	Data type	Description
1	PKTABLE_CAT	VARCHAR(128)	This is always NULL.
2	PKTABLE_SCHEM	VARCHAR(128)	Contains the name of the schema to which the table in PKTABLE_NAME belongs.
3	PKTABLE_NAME	VARCHAR(128) NOT NULL	Contains the name of the table on which the primary key is defined.
4	PKCOLUMN_NAME	VARCHAR(128) NOT NULL	Contains the name of the column on which the primary key is defined.
5	FKTABLE_CAT	VARCHAR(128)	This is always NULL.
6	FKTABLE_SCHEM	VARCHAR(128)	Contains the name of the schema to which the table in FKTABLE_NAME belongs.
7	FKTABLE_NAME	VARCHAR(128) NOT NULL	Contains the name of the table that on which the foreign key is defined.
8	FKCOLUMN_NAME	VARCHAR(128) NOT NULL	Contains the name of the column on which the foreign key is defined.

Table 113. Columns returned by `SQLForeignKeys()` (continued)

Column number	Column name	Data type	Description
9	KEY_SEQ	SMALLINT NOT NULL	Contains the ordinal position of the column in the key. The first position is 1.
10	UPDATE_RULE	SMALLINT	<p>Identifies the action that is applied to the foreign key when the SQL operation is UPDATE.</p> <p>IBM Db2 database management systems always return one of the following values:</p> <ul style="list-style-type: none"> • SQL_RESTRICT • SQL_NO_ACTION <p>Both of these values indicate that an update is rejected if it removes a primary key row that a foreign key references, or adds a value in a foreign key that is not present in the primary key.</p> <p>You might encounter the following UPDATE_RULE values when connected to non-IBM relational database management systems:</p> <ul style="list-style-type: none"> • SQL_CASCADE • SQL_SET_NULL
11	DELETE_RULE	SMALLINT	<p>Identifies the action that is applied to the foreign key when the SQL operation is DELETE.</p> <p>The following values indicate the action that is applied:</p> <ul style="list-style-type: none"> • SQL_CASCADE: when a primary key value is deleted, that value in related foreign keys is also deleted. • SQL_NO_ACTION: the delete is rejected if it removes values from a primary key that a foreign key references. • SQL_RESTRICT: the delete is rejected if it removes values from a primary key that a foreign key references. • SQL_SET_DEFAULT: when a primary key value is deleted, that value is replaced with a default value in related foreign keys. • SQL_SET_NULL: when a primary key value is deleted, that value is replaced with a null value in related foreign keys.
12	FK_NAME	VARCHAR(128)	Contains the name of the foreign key. This column contains a null value if it is not applicable to the data source.
13	PK_NAME	VARCHAR(128)	Contains the name of the primary key. This column contains a null value if it is not applicable to the data source.

Table 113. Columns returned by `SQLForeignKeys()` (continued)

Column number	Column name	Data type	Description
14	DEFERRABILITY	SMALLINT	<p>Db2 ODBC always returns a value of NULL.</p> <p>Other database management systems support the following values:</p> <ul style="list-style-type: none"> • SQL_INITIALLY_DEFERRED • SQL_INITIALLY_IMMEDIATE • SQL_NOT_DEFERRABLE

If you request foreign keys that are associated with a primary key, the returned rows in the result set are sorted by the values that the following columns contain:

1. FKTABLE_CAT
2. FKTABLE_SCHEM
3. FKTABLE_NAME
4. KEY_SEQ

If you request the primary keys that are associated with a foreign key, the returned rows in the result set are sorted by the values that the following columns contain:

1. PKTABLE_CAT
2. PKTABLE_SCHEM
3. PKTABLE_NAME
4. KEY_SEQ

The column names used by Db2 ODBC follow the X/Open CLI CAE specification style. The column types, contents and order are identical to those defined for the `SQLForeignKeys()` result set in ODBC.

Although new columns might be added and the names of the existing columns changed in future releases, the position of the current columns will remain unchanged.

Db2 ODBC applications that issue `SQLForeignKeys()` against a Db2 for z/OS server should expect the result set columns listed in [Table 113 on page 213](#).

For consistency with ANSI/ISO SQL standard of 1992 limits, the VARCHAR columns of the result set are declared with a maximum length attribute of 128 bytes. Because Db2 names are smaller than 128 characters, you can always use a 128-character (plus the nul-terminator) output buffer to handle table names. Call `SQLGetInfo()` with each of the following attributes to determine the actual amount of space that you need to allocate when you connect to another database management system:

- `SQL_MAX_CATALOG_NAME_LEN` to determine the length that the `PKTABLE_CAT` and `FKTABLE_CAT` columns support
- `SQL_MAX_SCHEMA_NAME_LEN` to determine the length that the `PKTABLE_SCHEM` and `FKTABLE_SCHEM` columns support
- `SQL_MAX_TABLE_NAME_LEN` to determine the length that the `PKTABLE_NAME` and `FKTABLE_NAME` columns support
- `SQL_MAX_COLUMN_NAME_LEN` to determine the length that the `PKCOLUMN_NAME` and `FKCOLUMN_NAME` columns support

Return codes

After you call `SQLForeignKeys()`, it returns one of the following values:

- `SQL_SUCCESS`

- SQL_SUCCESS_WITH_INFO
- SQL_ERROR
- SQL_INVALID_HANDLE

Diagnostics

The following table lists each SQLSTATE that this function generates, with a description and explanation for each value.

Table 114. *SQLForeignKeys()* SQLSTATES

SQLSTATE	Description	Explanation
08S01	Communication link failure.	The communication link between the application and data source fails before the function completes.
24000	Invalid cursor state.	A cursor is open on the statement handle.
HY001	Memory allocation failure.	Db2 ODBC is not able to allocate the required memory to support the execution or the completion of the function.
HY009	Invalid use of a null pointer.	The arguments <i>szPkTableName</i> and <i>szFkTableName</i> are both null pointers.
HY010	Function sequence error.	The function is called during a data-at-execute operation. (That is, the function is called during a procedure that uses the <i>SQLParamData()</i> or <i>SQLPutData()</i> functions.)
HY090	Invalid string or buffer length.	This SQLSTATE is returned for one or more of the following reasons: <ul style="list-style-type: none"> • The value of one of the name length arguments is less than 0 and not equal SQL_NTS. • The length of the table or owner name is greater than the maximum length that is supported by the server.
HYC00	Driver not capable.	Db2 ODBC does not support "catalog" as a qualifier for table name.
HY014	No more handles.	Db2 ODBC is not able to allocate a handle due to low internal resources.

Example

The following example shows an application that uses *SQLForeignKeys()* to retrieve foreign key information about a table.

```

/*****
/* Invoke SQLForeignKeys against PARENT Table. Find all
/* tables that contain foreign keys on PARENT.
*****/
#include <stdio.h>
#include <string.h>
#include <stdlib.h>
#include <sqlca.h>
#include "cli.h"
#include "sqlcli1.h"
#include "sqlcli1.h"
int main( )
{
    SQLHENV          hEnv      = SQL_NULL_HENV;
    SQLHDBC          hDbc      = SQL_NULL_HDBC;
    SQLHSTMT         hStmt     = SQL_NULL_HSTMT;
    SQLRETURN        rc        = SQL_SUCCESS;
    SQLINTEGER       RETCODE = 0;
    char             pTable [200];
    char             *pDSN = "STLEC1";

```

```

SQLSMALLINT    update_rule;
SQLSMALLINT    delete_rule;
SQLINTEGER     update_rule_ind;
SQLINTEGER     delete_rule_ind;
char           update [25];
char           delet  [25];
typedef struct varchar // define VARCHAR type
{
    SQLSMALLINT length;
    SQLCHAR     name [128];
    SQLINTEGER  ind;
} VARCHAR;
VARCHAR pktable_schem;
VARCHAR pktable_name;
VARCHAR pkcolumn_name;
VARCHAR fktable_schem;
VARCHAR fktable_name;
VARCHAR fkcolumn_name;
(void) printf ("*** Entering CLIP02.\n\n");
/*****
/* Allocate environment handle */
/*****
RETCODE = SQLAllocHandle( SQL_HANDLE_ENV, SQL_NULL_HANDLE, &hEnv);
if (RETCODE != SQL_SUCCESS)
    goto dberror;
/*****
/* Allocate connection handle to DSN */
/*****
RETCODE = SQLAllocHandle( SQL_HANDLE_DBC, hEnv, &hDbc);
if( RETCODE != SQL_SUCCESS ) // Could not get a connect handle
    goto dberror;
/*****
/* CONNECT TO data source (STLEC1) */
/*****
RETCODE = SQLConnect(hDbc, // Connect handle
                    (SQLCHAR *) pDSN, // DSN
                    SQL_NTS, // DSN is nul-terminated
                    NULL, // Null UID
                    0,
                    NULL, // Null Auth string
                    0);
if( RETCODE != SQL_SUCCESS ) // Connect failed
    goto dberror;
/*****
/* Allocate statement handle */
/*****
rc = SQLAllocHandle( SQL_HANDLE_STMT, hDbc, &hStmt);
if (rc != SQL_SUCCESS)
    goto exit;
/*****
/* Invoke SQLForeignKeys against PARENT Table, specifying NULL */
/* for table with foreign key. */
/*****
rc = SQLForeignKeys (hStmt,
                    NULL,
                    0,
                    (SQLCHAR *) "ADMFO01",
                    SQL_NTS,
                    (SQLCHAR *) "PARENT",
                    SQL_NTS,
                    NULL,
                    0,
                    NULL,
                    SQL_NTS,
                    NULL,
                    SQL_NTS);
if (rc != SQL_SUCCESS)
{
    (void) printf ("*** SQLForeignKeys Failed.\n");
    goto dberror;
}
/*****
/* Bind following columns of answer set: */
/* */
/* 2) pktable_schem */
/* 3) pktable_name */
/* 4) pkcolumn_name */
/* 6) fktable_schem */
/* 7) fktable_name */
/* 8) fkcolumn_name */
/* 10) update_rule */
/* 11) delete_rule */

```

```

/*                                                                 */
/*****                                                                 */
rc = SQLBindCol (hStmt,          // bind pktable_schem
                2,
                SQL_C_CHAR,
                (SQLPOINTER) pktable_schem.name,
                128,
                &pktable_schem.ind);
rc = SQLBindCol (hStmt,          // bind pktable_name
                3,
                SQL_C_CHAR,
                (SQLPOINTER) pktable_name.name,
                128,
                &pktable_name.ind);
rc = SQLBindCol (hStmt,          // bind pkcolumn_name
                4,
                SQL_C_CHAR,
                (SQLPOINTER) pkcolumn_name.name,
                128,
                &pkcolumn_name.ind);
rc = SQLBindCol (hStmt,          // bind fktable_schem
                6,
                SQL_C_CHAR,
                (SQLPOINTER) fktable_schem.name,
                128,
                &fktable_schem.ind);
rc = SQLBindCol (hStmt,          // bind fktable_name
                7,
                SQL_C_CHAR,
                (SQLPOINTER) fktable_name.name,
                128,
                &fktable_name.ind);
rc = SQLBindCol (hStmt,          // bind fkcolumn_name
                8,
                SQL_C_CHAR,
                (SQLPOINTER) fkcolumn_name.name,
                128,
                &fkcolumn_name.ind);
rc = SQLBindCol (hStmt,          // bind update_rule
                10,
                SQL_C_SHORT,
                (SQLPOINTER) &update_rule,
                0,
                &update_rule_ind);
rc = SQLBindCol (hStmt,          // bind delete_rule
                11,
                SQL_C_SHORT,
                (SQLPOINTER) &delete_rule,
                0,
                &delete_rule_ind);
/*****                                                                 */
/* Retrieve all tables with foreign keys defined on PARENT          */
/*****                                                                 */
while ((rc = SQLFetch (hStmt)) == SQL_SUCCESS)
{
    (void) printf ("**** Primary Table Schema is %s. Primary Table Name is %s.\n",
                  pktable_schem.name, pktable_name.name);
    (void) printf ("**** Primary Table Key Column is %s.\n",
                  pkcolumn_name.name);
    (void) printf ("**** Foreign Table Schema is %s. Foreign Table Name is %s.\n",
                  fktable_schem.name, fktable_name.name);
    (void) printf ("**** Foreign Table Key Column is %s.\n",
                  fkcolumn_name.name);
    if (update_rule == SQL_RESTRIC) // isolate update rule
        strcpy (update, "RESTRICT");
    else
        if (update_rule == SQL_CASCADE)
            strcpy (update, "CASCADE");
        else
            strcpy (update, "SET NULL");
    if (delete_rule == SQL_RESTRIC) // isolate delete rule
        strcpy (delet, "RESTRICT");
    else
        if (delete_rule == SQL_CASCADE)
            strcpy (delet, "CASCADE");
        else
            if (delete_rule == SQL_NO_ACTION)
                strcpy (delet, "NO ACTION");
            else
                strcpy (delet, "SET NULL");
    (void) printf ("**** Update Rule is %s. Delete Rule is %s.\n",
                  update, delet);
}

```



```

}
/*****
/* Deallocate statement handle */
/*****
rc = SQLFreeHandle (SQL_HANDLE_STMT, hStmt);
/*****
/* DISCONNECT from data source */
/*****
RETCODE = SQLDisconnect(hDbc);
if (RETCODE != SQL_SUCCESS)
    goto dberror;
/*****
/* Deallocate connection handle */
/*****
RETCODE = SQLFreeHandle (SQL_HANDLE_DBC, hDbc);
if (RETCODE != SQL_SUCCESS)
    goto dberror;
/*****
/* Free environment handle */
/*****
RETCODE = SQLFreeHandle (SQL_HANDLE_ENV, hEnv);
if (RETCODE == SQL_SUCCESS)
    goto exit;
dberror:
RETCODE=12;
exit:
(void) printf ("**** Exiting CLIP02.\n\n");
return RETCODE;
}

```

Figure 18. An application that retrieves foreign key information about a table

Related reference

[SQLGetInfo\(\)](#) - Get general information

[SQLGetInfo\(\)](#) returns general information about the database management systems to which the application is currently connected. For example, [SQLGetInfo\(\)](#) indicates which data conversions are supported.

[SQLPrimaryKeys\(\)](#) - Get primary key columns of a table

[SQLPrimaryKeys\(\)](#) returns a list of column names that comprise the primary key for a table. The information is returned in an SQL result set. This result set can be retrieved by using the same functions that process a result set that is generated by a query.

[Function return codes](#)

Every ODBC function returns a return code that indicates whether the function invocation succeeded or failed.

[SQLStatistics\(\)](#) - Get index and statistics information for a base table

[SQLStatistics\(\)](#) retrieves index information for a specific table. It also returns the cardinality and the number of pages that are associated with the table and the indexes on the table. The information is returned in a result set. You can retrieve the result set with the same functions that process a result set that is generated by a query.

SQLFreeConnect () - Free a connection handle

[SQLFreeConnect\(\)](#) is a deprecated function and is replaced by [SQLFreeHandle\(\)](#).

ODBC specifications for SQLFreeConnect ()

Table 115. SQLFreeConnect() specifications		
ODBC specification level	In X/Open CLI CAE specification?	In ISO CLI specification?
1.0 (Deprecated)	Yes	Yes

Syntax

```
SQLRETURN SQLFreeConnect (SQLHDBC          hdbc);
```

Function arguments

The following table lists the data type, use, and description for each argument in this function.

Table 116. *SQLFreeConnect()* arguments

Data type	Argument	Use	Description
SQLHDBC	<i>hdbc</i>	input	Connection handle

Related reference

[SQLFreeHandle\(\)](#) - Free a handle

[SQLFreeHandle\(\)](#) frees an environment handle, a connection handle, or a statement handle.

SQLFreeEnv() - Free an environment handle

[SQLFreeEnv\(\)](#) is a deprecated function and is replaced by [SQLFreeHandle\(\)](#).

ODBC specifications for SQLFreeEnv()

Table 117. *SQLFreeEnv()* specifications

ODBC specification level	In X/Open CLI CAE specification?	In ISO CLI specification?
1.0 (Deprecated)	Yes	Yes

Syntax

```
SQLRETURN SQLFreeEnv (SQLHENV          henv);
```

Function arguments

The following table lists the data type, use, and description for each argument in this function.

Table 118. *SQLFreeEnv* arguments

Data type	Argument	Use	Description
SQLHENV	<i>henv</i>	input	Environment handle

Related reference

[SQLFreeHandle\(\)](#) - Free a handle

SQLFreeHandle() frees an environment handle, a connection handle, or a statement handle.

SQLFreeHandle() - Free a handle

SQLFreeHandle() frees an environment handle, a connection handle, or a statement handle.

ODBC specifications for SQLFreeHandle()

ODBC specification level	In X/Open CLI CAE specification?	In ISO CLI specification?
3.0	Yes	Yes

Syntax

```
SQLRETURN SQLFreeHandle(  
    (SQLSMALLINT  
    SQLHANDLE  
    HandleType,  
    Handle);
```

Function arguments

The following table lists the data type, use, and description for each argument in this function.

Table 120. SQLFreeHandle() arguments

Data type	Argument	Use	Description
SQLSMALLINT	HandleType	input	Specifies the type of handle to be freed by SQLFreeHandle(). You must specify one of the following values: <ul style="list-style-type: none">• SQL_HANDLE_ENV to free the environment handle• SQL_HANDLE_DBC to free a connection handle• SQL_HANDLE_STMT to free a statement handle
SQLHANDLE	Handle	input	Specifies the name of the handle to be freed.

Usage

Use SQLFreeHandle() to free handles for environments, connections, and statements. After you free a handle, you no longer use that handle in your application.

• Freeing an environment handle

You must free all connection handles before you free the environment handle. If you attempt to free the environment handle while connection handles remain, SQLFreeHandle() returns SQL_ERROR and the environment and any active connection remains valid.

• Freeing a connection handle

You must both free all statement handles and call SQLDisconnect() on a connection before you free the handle for that connection. If you attempt to free a connection handle while statement handles remain for that connection, SQLFreeHandle() returns SQL_ERROR and the connection remains valid.

• Freeing a statement handle

When you call SQLFreeHandle() to free a statement handle, all resources that a call to SQLAllocHandle() with a HandleType of SQL_HANDLE_STMT allocates are freed. When you call SQLFreeHandle() to free a statement with pending results, those results are deleted.

SQLDisconnect() automatically drops any statements open on the connection.

Return codes

After you call `SQLFreeHandle()`, it returns one of the following values:

- `SQL_SUCCESS`
- `SQL_INVALID_HANDLE`
- `SQL_ERROR`

If the *HandleType* is not a valid type, `SQLFreeHandle()` returns `SQL_INVALID_HANDLE`. If `SQLFreeHandle()` returns `SQL_ERROR`, the handle is still valid.

Diagnostics

The following table lists each SQLSTATE that this function generates, with a description and explanation for each value.

Table 121. `SQLFreeHandle()` SQLSTATES

SQLSTATE	Description	Explanation
01000	Warning.	Informational message. (<code>SQLFreeHandle()</code> returns <code>SQL_SUCCESS_WITH_INFO</code> for this SQLSTATE.)
08003	Connection is closed.	The <i>HandleType</i> argument specifies <code>SQL_HANDLE_DBC</code> , but the communication link between Db2 ODBC and the data source failed before the function completed processing.
HY000	General error.	An error occurred for which no specific SQLSTATE exists. The error message that is returned by <code>SQLGetDiagRec()</code> in the buffer that the <i>MessageText</i> argument specifies, describes the error and its cause.
HY001	Memory allocation failure.	Db2 ODBC is not able to allocate memory that is required to support execution or completion of the function.
HY010	Function sequence error.	This SQLSTATE is returned for one or more of the following reasons: <ul style="list-style-type: none">• If the <i>HandleType</i> argument is <code>SQL_HANDLE_ENV</code>, and at least one connection is in an allocated or connected state, you must call <code>SQLDisconnect()</code> and <code>SQLFreeHandle()</code> to disconnect and free each connection before you can free the environment handle. If the <i>HandleType</i> argument is <code>SQL_HANDLE_DBC</code> you must free all statement handles on the connection, and disconnect before you can free the connection handle.• If the <i>HandleType</i> argument specifies <code>SQL_HANDLE_STMT</code>, <code>SQLExecute()</code> or <code>SQLExecDirect()</code> is called with the statement handle, and return <code>SQL_NEED_DATA</code>. This function is called before data is sent for all data-at-execution parameters or columns. You must issue <code>SQLCancel()</code> to free the statement handle.
HY013	Unexpected memory handling error.	The <i>HandleType</i> argument is <code>SQL_HANDLE_STMT</code> and the function call can not be processed because the underlying memory objects can not be accessed. This error can result from low memory conditions.
HY506	Error closing a file.	An error is encountered when trying to close a temporary file.

Example

Refer to the DSN803VP sample application or online in the DSN1210.SDSNSAMP data set.

Related concepts

[DSN803VP sample application](#)

The DSN803VP sample program validates the installation of Db2 ODBC.

Related reference

[SQLAllocHandle\(\) - Allocate a handle](#)

SQLAllocHandle() allocates an environment handle, a connection handle, or a statement handle.

[SQLCancel\(\) - Cancel statement](#)

SQLCancel() terminates an SQLExecDirect() or SQLExecute() sequence prematurely.

[SQLDisconnect\(\) - Disconnect from a data source](#)

SQLDisconnect() closes the connection that is associated with the database connection handle. Before you call SQLDisconnect(), you must call SQLEndTran() if an outstanding transaction exists on this connection. After you call this function, either call SQLConnect() to connect to another database, or call SQLFreeHandle().

[SQLGetDiagRec\(\) - Get multiple field settings of diagnostic record](#)

SQLGetDiagRec() returns the current values of multiple fields of a diagnostic record that contains error, warning, and status information. SQLGetDiagRec() also returns several commonly used fields of a diagnostic record, including the SQLSTATE, the native error code, and the error message text.

[Function return codes](#)

Every ODBC function returns a return code that indicates whether the function invocation succeeded or failed.

SQLFreeStmt() - Free (or reset) a statement handle

SQLFreeStmt() ends processing for a statement, to which a statement handle refers. You can use it to close a cursor or drop the statement handle to free the Db2 ODBC resources that are associated with the statement handle. Call SQLFreeStmt() after you execute an SQL statement and process the results.

ODBC specifications for SQLFreeStmt()

ODBC specification level	In X/Open CLI CAE specification?	In ISO CLI specification?
1.0	Yes	Yes

Syntax

```
SQLRETURN SQLFreeStmt( SQLHSTMT hstmt, fOption);
```

Function arguments

The following table lists the data type, use, and description for each argument in this function.

Table 123. SQLFreeStmt() arguments

Data type	Argument	Use	Description
SQLHSTMT	hstmt	input	Specifies the statement handle that refers to the statement to be stopped.

Table 123. *SQLFreeStmt()* arguments (continued)

Data type	Argument	Use	Description
SQLUSMALLINT	<i>fOption</i>	input	<p>The following values specify the manner in which you free the statement handle:</p> <ul style="list-style-type: none"> • SQL_UNBIND • SQL_RESET_PARAMS • SQL_CLOSE • SQL_DROP (Deprecated) <p>See “Usage” on page 224 for details about these values.</p>

Usage

When you call *SQLFreeStmt()*, you set the *fOption* argument to one of the following options. *SQLFreeStmt()* performs different actions based upon which one of these options you specify.

SQL_UNBIND

All the columns that are bound by previous *SQLBindCol()* calls on this statement handle are released (the association between application variables or file references and result set columns is broken).

SQL_RESET_PARAMS

All the parameters that are set by previous *SQLBindParameter()* calls on this statement handle are released. (The association between application variables, or file references, and parameter markers in the SQL statement for the statement handle is broken.)

SQL_CLOSE

The cursor (if any) that is associated with the statement handle is closed and all pending results are discarded. You can reopen the cursor by calling *SQLExecute()* or *SQLExecDirect()* with the same or different values in the application variables (if any) that are bound to the statement handle. The cursor name is retained until the statement handle is dropped or the next successful *SQLSetCursorName()* call. If a cursor is not associated with the statement handle, this option has no effect. (In the case where no cursors exist, a warning or an error is **not** generated.)

You can also call the ODBC 3.0 API *SQLCloseCursor()* to close the cursor.

SQL_DROP (Deprecated)

In ODBC 3.0, *SQLFreeHandle()* with *HandleType* set to *SQL_HANDLE_STMT* replaces the *SQL_DROP* option of *SQLFreeStmt()*.

Although Db2 ODBC supports the *SQL_DROP* option for backward compatibility, you should use current ODBC 3.0 functions in your applications.

SQLFreeStmt() does not affect LOB locators. To free a locator, call *SQLExecDirect()* with the *FREE LOCATOR* statement.

After you execute a statement on a statement handle, you can reuse that handle to execute a different statement. The following situations require you to take additional action before you reuse a statement handle:

- When the statement handle that you want to reuse is associated with a catalog function or *SQLGetTypeInfo()*, you must close the cursor on that handle.
- When you want to reuse a statement handle for a different number or different types of parameters than you originally bound, you must reset the parameters on that handle.
- When you want to reuse a statement handle for a different number or different types of columns than you originally bound, you must unbind the original columns.

Alternatively, you can drop the statement handle and allocate a new one.

Return codes

After you call `SQLFreeStmt()`, it returns one of the following values:

- `SQL_SUCCESS`
- `SQL_SUCCESS_WITH_INFO`
- `SQL_ERROR`
- `SQL_INVALID_HANDLE`

`SQL_SUCCESS_WITH_INFO` is not returned if *fOption* is set to `SQL_DROP`, because no statement handle is available to use when `SQLGetDiagRec()` is called.

Diagnostics

The following table lists each `SQLSTATE` that this function generates, with a description and explanation for each value.

Table 124. `SQLFreeStmt()` `SQLSTATEs`

SQLSTATE	Description	Explanation
08S01	Communication link failure.	The communication link between the application and data source fails before the function completes.
58004	Unexpected system failure.	Unrecoverable system error.
HY001	Memory allocation failure.	Db2 ODBC is not able to allocate the required memory to support the execution or the completion of the function.
HY010	Function sequence error.	The function is called during a data-at-execute operation. (That is, the function is called during a procedure that uses the <code>SQLParamData()</code> or <code>SQLPutData()</code> functions.)
HY092	Option type out of range.	The specified value for the <i>fOption</i> argument is not one of the following values: <ul style="list-style-type: none">• <code>SQL_CLOSE</code>• <code>SQL_DROP</code>• <code>SQL_UNBIND</code>• <code>SQL_RESET_PARAMS</code>

Example

Refer to `SQLFetch()` for a related example.

Related reference

[SQLAllocHandle\(\)](#) - Allocate a handle

`SQLAllocHandle()` allocates an environment handle, a connection handle, or a statement handle.

[SQLBindParameter\(\)](#) - Bind a parameter marker to a buffer or LOB locator

`SQLBindParameter()` binds parameter markers to application variables and extends the capability of the `SQLSetParam()` function.

[SQLCloseCursor\(\)](#) - Close a cursor and discard pending results

`SQLCloseCursor()` closes a cursor that has been opened on a statement and discards pending results.

[SQLExtendedFetch\(\)](#) - Fetch an array of rows

`SQLExtendedFetch()` extends the function of `SQLFetch()` by returning a *row set* array for each bound column. The value the `SQL_ATTR_ROWSET_SIZE` statement attribute determines the size of the row set that `SQLExtendedFetch()` returns.

[SQLFetch\(\)](#) - Fetch the next row

SQLFetch() advances the cursor to the next row of the result set and retrieves any bound columns. Columns can be bound to either the application storage or LOB locators.

SQLFreeHandle() - Free a handle

SQLFreeHandle() frees an environment handle, a connection handle, or a statement handle.

Function return codes

Every ODBC function returns a return code that indicates whether the function invocation succeeded or failed.

SQLSetParam() - Bind a parameter marker to a buffer

SQLSetParam() is a deprecated function and is replaced with SQLBindParameter().

SQLGetConnectAttr() - Get current attribute setting

SQLGetConnectAttr() returns the current setting of a connection attribute and also allows you to set these attributes.

ODBC specifications for SQLGetConnectAttr()

ODBC specification level	In X/Open CLI CAE specification?	In ISO CLI specification?
3.0	Yes	Yes

Syntax

```
SQLRETURN SQLGetConnectAttr (SQLHDBC          ConnectionHandle,
                             SQLINTEGER      Attribute,
                             SQLPOINTER     ValuePtr,
                             SQLINTEGER      BufferLength,
                             SQLINTEGER     *StringLengthPtr);
```

Function arguments

The following table lists the data type, use, and description for each argument in this function.

Data type	Argument	Use	Description
SQLHDBC	ConnectionHandle	input	Specifies the connection handle from which you retrieve the attribute value.
SQLINTEGER	Attribute	input	Specifies the connection attribute to retrieve. Refer to SQLSetConnectAttr() for a complete list of attributes.
SQLPOINTER	ValuePtr	input	Specifies the pointer to the memory in which to return the current value of the attribute that the Attribute argument indicates. *ValuePtr will be a 32-bit unsigned integer value or point to a nul-terminated character string. If the Attribute argument is a driver-specific value, the value in *ValuePtr might be a signed integer.

Table 126. *SQLGetConnectAttr()* arguments (continued)

Data type	Argument	Use	Description
SQLINTEGER	<i>BufferLength</i>	input	<p>Specifies the size, in bytes, of the buffer to which the <i>*ValuePtr</i> argument points. This argument behaves differently according to the following types of attributes:</p> <ul style="list-style-type: none"> • For ODBC-defined attributes: <ul style="list-style-type: none"> – If <i>ValuePtr</i> points to a character string, this argument should be the length of <i>*ValuePtr</i>. – If <i>ValuePtr</i> points to an integer, <i>BufferLength</i> is ignored. • For driver-defined attributes (IBM extension): <ul style="list-style-type: none"> – If <i>ValuePtr</i> points to a character string, this argument should be the length, in bytes, of <i>*ValuePtr</i> or <code>SQL_NTS</code>. If <code>SQL_NTS</code>, the driver assumes that the length of <i>*ValuePtr</i> is <code>SQL_MAX_OPTIONS_STRING_LENGTH</code> bytes (excluding the nul-terminator). – If <i>ValuePtr</i> points to an integer, <i>BufferLength</i> is ignored.
SQLINTEGER *	<i>StringLengthPtr</i>	output	<p>Specifies a pointer to the buffer in which to return the total number of bytes (excluding the nul-termination character) that the <i>ValuePtr</i> argument requires. The following conditions apply to the <i>StringLengthPtr</i> argument:</p> <ul style="list-style-type: none"> • If <i>ValuePtr</i> is a null pointer, no length is returned. • If the attribute value is a character string, and the number of bytes available to return is greater than or equal to the value that is specified for the <i>BufferLength</i> argument, the data in <i>ValuePtr</i> is truncated to that specified value minus the length of a nul-termination character. Db2 ODBC nul-terminates the truncated data. • If the <i>Attribute</i> argument does not denote a string, Db2 ODBC ignores the <i>BufferLength</i> argument, and it does not return a value into the buffer to which the <i>StringLengthPtr</i> argument points.

Usage

Use `SQLGetConnectAttr()` to retrieve the value of a connection attribute that is set on a connection handle.

Although you can use `SQLSetConnectAttr()` to set attribute values for a statement handle, you cannot use `SQLGetConnectAttr()` to retrieve current attribute values for a statement handle. To retrieve statement attribute values, call `SQLGetStmtAttr()`.

Return codes

After you call `SQLGetConnectAttr()`, it returns one of the following values:

- `SQL_SUCCESS`
- `SQL_SUCCESS_WITH_INFO`
- `SQL_NO_DATA`
- `SQL_INVALID_HANDLE`
- `SQL_ERROR`

Diagnostics

The following table lists each SQLSTATE that this function generates, with a description and explanation for each value.

Table 127. *SQLGetConnectAttr()* SQLSTATES

SQLSTATE	Description	Explanation
01000	Warning.	An informational message. (<i>SQLGetConnectAttr()</i> returns <code>SQL_SUCCESS_WITH_INFO</code> for this SQLSTATE.)
01004	Data truncated.	The data that is returned in the buffer that the <i>ValuePtr</i> argument specifies is truncated. The length to which the data is truncated is equal to the value that is specified in the <i>BufferLength</i> argument, minus the length of a nul-termination character. The <i>StringLengthPtr</i> argument specifies a buffer that receives the size of the non-truncated string. (<i>SQLGetConnectAttr()</i> returns <code>SQL_SUCCESS_WITH_INFO</code> for this SQLSTATE.)
08003	Connection is closed.	The <i>Attribute</i> argument specifies a value that requires an open connection, but the connection handle was not in a connected state.
HY000	General error.	An error occurred for which no specific SQLSTATE exists. The error message that <i>SQLGetDiagRec()</i> returns in the buffer that the <i>MessageText</i> argument specifies, describes this error and its cause.
HY001	Memory allocation failure.	Db2 ODBC is not able to allocate memory that is required to support execution or completion of the function.
HY090	Invalid string or buffer length.	The value specified for the <i>BufferLength</i> argument is less than 0.
HY092	Option type out of range.	The specified value for the <i>Attribute</i> argument is not valid for this version of Db2 ODBC.
HYC00	Driver not capable.	The specified value for the <i>Attribute</i> argument is a valid connection or statement attribute for this version of the Db2 ODBC driver, but it is not supported by the data source.

Example

The following example prints the current setting of a connection attribute. *SQLGetConnectAttr()* retrieves the current value of the `SQL_ATTR_AUTOCOMMIT` statement attribute.

```
SQLINTEGER output_nts,autocommit;
rc = SQLGetConnectAttr( hdbc, SQL_AUTOCOMMIT,
                       &autocommit, 0, NULL );
CHECK_HANDLE( SQL_HANDLE_DBC, hdbc, rc );
printf( "\nAutocommit is: " );
if ( autocommit == SQL_AUTOCOMMIT_ON )
    printf( "ON\n" );
else
    printf( "OFF\n" );
```

Related reference

[SQLGetStmtAttr\(\)](#) - Get current setting of a statement attribute

[SQLGetStmtAttr\(\)](#) returns the current setting of a statement attribute. To set these statement attributes, use [SQLSetStmtAttr\(\)](#).

[Function return codes](#)

Every ODBC function returns a return code that indicates whether the function invocation succeeded or failed.

[SQLSetConnectAttr\(\)](#) - Set connection attributes

`SQLSetConnectAttr()` sets attributes that govern aspects of connections.

[SQLSetStmtAttr\(\)](#) - Set statement attributes

`SQLSetStmtAttr()` sets attributes that are related to a statement. To set an attribute for all statements that are associated with a specific connection, an application can call `SQLSetConnectAttr()`.

SQLGetConnectOption() - Return current setting of a connect option

`SQLGetConnectOption()` is a deprecated function and is replaced by `SQLGetConnectAttr()`.

ODBC specifications for SQLGetConnectOption()

ODBC specification level	In X/Open CLI CAE specification?	In ISO CLI specification?
1.0 (Deprecated)	Yes	No

Syntax

```
SQLRETURN SQLGetConnectOption (
    SQLHDBC          hdbc,
    SQLUSMALLINT    fOption,
    SQLPOINTER      pvParam);
```

Function arguments

The following table lists the data type, use, and description for each argument in this function.

Table 129. `SQLGetConnectOption()` arguments

Data type	Argument	Use	Description
HDBC	<i>hdbc</i>	input	Connection handle.
SQLUSMALLINT	<i>fOption</i>	input	Attribute to set. See <code>SQLSetConnectAttr()</code> for the complete list of connection attributes and their descriptions.
SQLPOINTER	<i>pvParam</i>	input, output, or input and output	Value that is associated with the <i>fOption</i> argument. Depending on the value of the <i>fOption</i> argument, this can be a 32-bit integer value, or a pointer to a nul-terminated character string. The maximum length of any character string returned is <code>SQL_MAX_OPTION_STRING_LENGTH</code> bytes (which excludes the nul-terminator).

Related reference

[SQLSetConnectAttr\(\)](#) - Set connection attributes

`SQLSetConnectAttr()` sets attributes that govern aspects of connections.

SQLGetCursorName() - Get cursor name

`SQLGetCursorName()` returns the name of the cursor that is associated with a statement handle. If you explicitly set a cursor name with `SQLSetCursorName()`, the name that you specified in a call to

SQLSetCursorName() is returned. If you do not explicitly set a name, SQLGetCursorName() returns the implicitly generated name for that cursor.

ODBC specifications for SQLGetCursorName()

Table 130. SQLGetCursorName() specifications		
ODBC specification level	In X/Open CLI CAE specification?	In ISO CLI specification?
1.0	Yes	Yes

Syntax

```
SQLRETURN SQLGetCursorName (SQLHSTMT hstmt,
                             SQLCHAR FAR *szCursor,
                             SQLSMALLINT cbCursorMax,
                             SQLSMALLINT FAR *pcbCursor);
```

Function arguments

The following table lists the data type, use, and description for each argument in this function.

Table 131. SQLGetCursorName() arguments

Data type	Argument	Use	Description
SQLHSTMT	<i>hstmt</i>	input	Specifies the statement handle on which the cursor you want to identify is open.
SQLCHAR *	<i>szCursor</i>	output	Specifies the buffer in which the cursor name is returned.
SQLSMALLINT	<i>cbCursorMax</i>	input	Specifies the size of the buffer to which the <i>szCursor</i> argument points.
SQLSMALLINT *	<i>pcbCursor</i>	output	Points to the buffer that receives the number of bytes that the cursor name requires.

Usage

SQLGetCursorName() returns the name that you set explicitly on a cursor with SQLSetCursorName(). If you do not set a name for a cursor, you can use this function to retrieve the name that Db2 ODBC internally generates.

SQLGetCursorName() returns the same cursor name (which can be explicit or implicit) on a statement until you drop that statement, or until you set another explicit name for that cursor. Cursor names are always 18 characters or less, and are always unique within a connection.

Cursor names that Db2 ODBC generates internally always begin with SQLCUR or SQL_CUR. For query result sets, Db2 ODBC also reserves SQLCURQRS as a cursor name prefix. (See [“Restrictions”](#) on page 231 for more details about this naming convention.)

Return codes

After you call SQLGetCursorName(), it returns one of the following values:

- SQL_SUCCESS
- SQL_SUCCESS_WITH_INFO
- SQL_ERROR
- SQL_INVALID_HANDLE

Diagnostics

The following table lists each SQLSTATE that this function generates, with a description and explanation for each value.

Table 132. *SQLGetCursorName()* SQLSTATES

SQLSTATE	Description	Explanation
01004	Data truncated.	The cursor name that is returned in the buffer that the <i>szCursor</i> argument specifies is longer than the value in the <i>cbCursorMax</i> argument. Data in this buffer is truncated to the one byte less than the value that the <i>cbCursorMax</i> argument specifies. The <i>pcbCursor</i> argument contains the length, in bytes, that the full cursor name requires. (<i>SQLGetCursorName()</i> returns SQL_SUCCESS_WITH_INFO for this SQLSTATE.)
08S01	Communication link failure.	The communication link between the application and data source fails before the function completes.
58004	Unexpected system failure.	Unrecoverable system error.
HY001	Memory allocation failure.	Db2 ODBC is not able to allocate the required memory to support the execution or the completion of the function.
HY010	Function sequence error.	The function is called during a data-at-execute operation. (That is, the function is called during a procedure that uses the <i>SQLParamData()</i> or <i>SQLPutData()</i> functions.)
HY013	Unexpected memory handling error.	Db2 ODBC is not able to access the memory that is required to support execution or completion of the function.
HY015	No cursor name available.	No cursor is open on the statement handle that the <i>hstmt</i> argument specifies, and no cursor name is set with <i>SQLSetCursorName()</i> .
HY090	Invalid string or buffer length.	The value specified for the <i>cbCursorMax</i> argument is less than 0.
HY092	Option type out of range.	The statement handle specified for the <i>hstmt</i> argument is not valid.

Restrictions

ODBC generates cursor names that begin with SQL_CUR. X/Open CLI generates cursor names that begin with either SQLCUR or SQL_CUR.

Db2 ODBC is inconsistent with the ODBC specification for naming cursors. Db2 ODBC generates cursor names that begin with SQLCUR or SQL_CUR, which is consistent with the X/Open CLI standard.

Example

The following example shows an application that uses *SQLGetCursorName()* to extract the name of a cursor needed that the proceeding update statement requires.

```
/*
*****
/* Perform a positioned update on a column of a cursor.
*****
#include <stdio.h>
#include <string.h>
#include <stdlib.h>
#include <sqlca.h>
#include "sqlcli1.h"
int main( )
{
    SQLHENV          hEnv      = SQL_NULL_HENV;
```

```

SQLHDBC      hDbc      = SQL_NULL_HDBC;
SQLHSTMT     hStmnt    = SQL_NULL_HSTMT, hStmnt2 = SQL_NULL_HSTMT;
SQLRETURN    rc        = SQL_SUCCESS, rc2 = SQL_SUCCESS;
SQLINTEGER   RETCODE   = 0;
char         *pDSN     = "STLEC1";
SWORD        cbCursor;
SDWORD       cbValue1;
SDWORD       cbValue2;
char         employee [30];
int          salary    = 0;
char         cursor_name [20];
char         update    [200];
char         *stmt     = "SELECT NAME, SALARY FROM EMPLOYEE WHERE
                        SALARY > 100000 FOR UPDATE OF SALARY";

(void) printf ("**** Entering CLIP04.\n\n");
/*****
/* Allocate environment handle */
/*****
RETCODE = SQLAllocHandle( SQL_HANDLE_ENV, SQL_NULL_HANDLE, &hEnv);
if (RETCODE != SQL_SUCCESS)
    goto dberror;
/*****
/* Allocate connection handle to DSN */
/*****
RETCODE = SQLAllocHandle( SQL_HANDLE_DBC, hEnv, &hDbc);
if( RETCODE != SQL_SUCCESS ) // Could not get a Connect Handle
    goto dberror;
/*****
/* CONNECT TO data source (STLEC1) */
/*****
RETCODE = SQLConnect(hDbc, // Connect handle
                    (SQLCHAR *) pDSN, // DSN
                    SQL_NTS, // DSN is nul-terminated
                    NULL, // Null UID
                    0,
                    NULL, // Null Auth string
                    0);
if( RETCODE != SQL_SUCCESS ) // Connect failed
    goto dberror;
/*****
/* Allocate statement handles */
/*****
rc = SQLAllocHandle( SQL_HANDLE_STMT, hDbc, &hStmnt);
if (rc != SQL_SUCCESS)
    goto exit;
rc = SQLAllocHandle( SQL_HANDLE_STMT, hDbc, &hStmnt2);
if (rc != SQL_SUCCESS)
    goto exit;
/*****
/* Execute query to retrieve employee names */
/*****
rc = SQLExecDirect (hStmnt,
                  (SQLCHAR *) stmt,
                  strlen(stmt));
if (rc != SQL_SUCCESS)
{
    (void) printf ("**** EMPLOYEE QUERY FAILED.\n");
    goto dberror;
}
/*****
/* Extract cursor name -- required to build UPDATE statement. */
/*****
rc = SQLGetCursorName (hStmnt,
                    (SQLCHAR *) cursor_name,
                    sizeof(cursor_name),
                    &cbCursor);
if (rc != SQL_SUCCESS)
{
    (void) printf ("**** Cursor name is %s.\n");
    goto dberror;
}
(void) printf ("**** Cursor name is
rc = SQLBindCol (hStmnt, // bind employee name
                1,
                SQL_C_CHAR,
                employee,
                sizeof(employee),
                &cbValue1);
if (rc != SQL_SUCCESS)
{
    (void) printf ("**** BIND OF NAME FAILED.\n");
    goto dberror;
}

```

```

}
rc = SQLBindCol (hStmt,          // bind employee salary
                2,
                SQL_C_LONG,
                &salary,
                0,
                &cbValue2);
if (rc != SQL_SUCCESS)
{
    (void) printf ("**** BIND OF SALARY FAILED.\n");
    goto dberror;
}
/*****
/* Answer set is available -- Fetch rows and update salary */
*****/
while (((rc = SQLFetch (hStmt)) == SQL_SUCCESS) &&
      (rc2 == SQL_SUCCESS))
{
    int new_salary = salary*1.1;
    (void) printf ("**** Employee Name %s with salary %d. New salary = %d.\n",
                  employee,
                  salary,
                  new_salary);
    sprintf (update,
            "UPDATE EMPLOYEE SET SALARY = %d WHERE CURRENT OF %s",
            new_salary,
            cursor_name);
    (void) printf ("**** Update statement is :
rc2 = SQLExecDirect (hStmt2,
                    (SQLCHAR *) update,
                    SQL_NTS);
}
if (rc2 != SQL_SUCCESS)
{
    (void) printf ("**** EMPLOYEE UPDATE FAILED.\n");
    goto dberror;
}
/*****
/* Reexecute query to validate that salary was updated */
*****/
rc = SQLCloseCursor(hStmt);
rc = SQLExecDirect (hStmt,
                    (SQLCHAR *) stmt,
                    strlen(stmt));
if (rc != SQL_SUCCESS)
{
    (void) printf ("**** EMPLOYEE QUERY FAILED.\n");
    goto dberror;
}
while ((rc = SQLFetch (hStmt)) == SQL_SUCCESS)
{
    (void) printf ("**** Employee Name %s has salary %d.\n",
                  employee,
                  salary);
}
/*****
/* Deallocate statement handles */
*****/
rc = SQLFreeHandle (SQL_HANDLE_STMT, hStmt);
rc = SQLFreeHandle (SQL_HANDLE_STMT, hStmt2);
/*****
/* DISCONNECT from data source */
*****/
RETCODE = SQLDisconnect(hDbc);
if (RETCODE != SQL_SUCCESS)
    goto dberror;
/*****
/* Deallocate connection handle */
*****/
RETCODE = SQLFreeHandle (SQL_HANDLE_DBC, hDbc);
if (RETCODE != SQL_SUCCESS)
    goto dberror;
/*****
/* Free environment handle */
*****/
RETCODE = SQLFreeHandle (SQL_HANDLE_ENV, hEnv);
if (RETCODE == SQL_SUCCESS)
    goto exit;
dberror:
RETCODE=12;
exit:
(void) printf ("**** Exiting CLIP04.\n\n");

```

```

return RETCODE;
}

```

Figure 19. An application that extracts a cursor name

Related reference

[SQLExecDirect\(\) - Execute a statement directly](#)

SQLExecDirect() prepares and executes an SQL statement in one step.

[SQLExecute\(\) - Execute a statement](#)

SQLExecute() executes a statement, which you successfully prepared with SQLPrepare(), once or multiple times. When you execute a statement with SQLExecute(), the current value of any application variables that are bound to parameter markers in that statement are used.

[SQLPrepare\(\) - Prepare a statement](#)

SQLPrepare() associates an SQL statement with the input statement handle and sends the statement to the database management system where it is prepared. The application can reference this prepared statement by passing the statement handle to other functions.

Function return codes

Every ODBC function returns a return code that indicates whether the function invocation succeeded or failed.

[SQLSetCursorName\(\) - Set cursor name](#)

SQLSetCursorName() associates a cursor name with the statement handle. This function is optional because Db2 ODBC implicitly generates a cursor name when each statement handle is allocated.

SQLGetData() - Get data from a column

SQLGetData() retrieves data for a single column in the current row of the result set. You can also use SQLGetData() to retrieve large data values in pieces. After you call SQLGetData() for each column, call SQLFetch() or SQLExtendedFetch() for each row that you want to retrieve.

You must call SQLFetch() before SQLGetData(). Using this function is an alternative to using SQLBindCol(), which transfers data directly into application variables or LOB locators on each SQLFetch() or SQLExtendedFetch() call.

ODBC specifications for SQLGetData()

ODBC specification level	In X/Open CLI CAE specification?	In ISO CLI specification?
1.0	Yes	Yes

Syntax

For 31-bit applications, use the following syntax:

SQLRETURN	SQLGetData	(SQLHSTMT SQLUSMALLINT SQLSMALLINT SQLPOINTER SQLINTEGER SQLINTEGER FAR	hstmt, icol, fCType, rgbValue, cbValueMax, *pcbValue);
-----------	------------	--	---

For 64-bit applications, use the following syntax:

SQLRETURN	SQLGetData	(SQLHSTMT SQLUSMALLINT SQLSMALLINT SQLPOINTER	hstmt, icol, fCType, rgbValue,
-----------	------------	--	---

SQLLEN
SQLLEN FAR *cbValueMax*,
 **pcbValue*);

Function arguments

The following table lists the data type, use, and description for each argument in this function.

Table 134. *SQLGetData()* arguments

Data type	Argument	Use	Description
SQLHSTMT	<i>hstmt</i>	input	Specifies the statement handle on which the result set is generated.
SQLUSMALLINT	<i>icol</i>	input	Specifies the column number of the result set for which the data retrieval is requested.
SQLSMALLINT	<i>fCType</i>	input	Specifies the C data type of the column that <i>icol</i> indicates. You can specify the following types for the <i>fCType</i> argument: <ul style="list-style-type: none"> • SQL_C_BIGINT • SQL_C_BINARY • SQL_C_BINARYXML • SQL_C_BIT • SQL_C_BLOB_LOCATOR • SQL_C_CHAR • SQL_C_CLOB_LOCATOR • SQL_C_DBCHAR • SQL_C_DBCLOB_LOCATOR • SQL_C_DOUBLE • SQL_C_FLOAT • SQL_C_DECIMAL64 • SQL_C_DECIMAL128 • SQL_C_LONG • SQL_C_SHORT • SQL_C_TYPE_DATE • SQL_C_TYPE_TIME • SQL_C_TYPE_TIMESTAMP • SQL_C_TYPE_TIMESTAMP_EXT • SQL_C_TYPE_TIMESTAMP_EXT_TZ • SQL_C_TINYINT • SQL_C_WCHAR <p>When you specify SQL_C_DEFAULT, data is converted to its default C data type.</p>
SQLPOINTER	<i>rgbValue</i> ¹	output	Points to a buffer where the retrieved column data is stored.
SQLINTEGER (31-bit) or SQLLEN (64-bit) ²	<i>cbValueMax</i>	input	Specifies the maximum size of the buffer to which the <i>rgbValue</i> argument points.

Table 134. *SQLGetData()* arguments (continued)

Data type	Argument	Use	Description
SQLINTEGER * (31-bit) or SQLLEN * (64-bit) ²	<i>pcbValue</i> ¹	output	<p>Points to the value that indicates the amount of space that the data you are retrieving requires. If the data is retrieved in pieces, this contains the number of bytes still remaining.</p> <p>The value is SQL_NULL_DATA if the data value of the column is null. If this pointer is null and SQLFetch() has obtained a column containing null data, this function fails because it has no way to report that the data is null.</p> <p>The value is SQL_NO_TOTAL if truncation occurs and the ODBC driver cannot determine the number of bytes still available to return. SQLGetData() retrieves enough data to fill the buffer and returns SQL_NO_TOTAL as the length.</p> <p>If SQLFetch() fetches a column that contains binary data, then the pointer that the <i>pcbValue</i> argument specifies must not be null. SQLGetData() fails in this case because it cannot inform the application about the length of the data that is returned to the buffer that the <i>rgbValue</i> argument specifies.</p>

Notes:

1. Db2 ODBC provides some performance enhancement if the buffer that the *rgbValue* argument specifies is placed consecutively in memory after the value to which the *pcbValue* argument points.
2. For 64-bit applications, the data type SQLINTEGER, which was used in previous versions of Db2, is still valid. However, for maximum application portability, using SQLLEN is recommended.

Usage

You can use SQLGetData() in combination with SQLBindCol() on the same result set, if you use SQLFetch(). **Do not** use SQLExtendedFetch(). Use the following procedure to retrieve data with SQLGetData():

1. Call SQLFetch(), which advances cursor to first row, retrieves first row, and transfers data for bound columns.
2. Call SQLGetData(), which transfers data for the specified column.
3. Repeat step 2 for each column needed.
4. Call SQLFetch(), which advances the cursor to the next row, retrieves the next row, and transfers data for bound columns.
5. Repeat steps 2, 3 and 4 for each row that is in the result set, or until the result set is no longer needed.

You can also use SQLGetData() to retrieve long columns if the C data type (which you specify with the *fctype* argument) is SQL_C_CHAR, SQL_C_BINARY, SQL_C_DBCHAR, or if *fctype* is SQL_C_DEFAULT and the column type denotes a binary or character string.

Handling encoding schemes: The CURRENTAPPENSCH keyword in the Db2 ODBC initialization file and the *fctype* argument in SQLGetData() determines which one of the following encoding schemes is used for character and graphic data.

- The ODBC driver places EBCDIC data into application variables when both of the following conditions are true:
 - CURRENTAPPENSCH = EBCDIC is specified in the initialization file, the CCSID that is specified for the CURRENTAPPENSCH keyword is an EBCDIC CCSID, or the CURRENTAPPENSCH keyword is not specified in the initialization file.

- The *fCType* argument specifies SQL_C_CHAR or SQL_C_DBCHAR in the SQLGetData() call.
- The ODBC driver places Unicode UCS-2 data into application variables when the *fCType* argument specifies SQL_C_WCHAR in the SQLGetData() call.
- The ODBC driver places Unicode UTF-8 data into application variables when both of the following conditions are true:
 - CURRENTAPPENSCH = UNICODE is specified in the initialization file, or the CCSID that is specified for the CURRENTAPPENSCH keyword is a Unicode CCSID (1200, 1208, 13488 or 17584).
 - The *fCType* argument specifies SQL_C_CHAR in the SQLGetData() call.
- The ODBC driver places ASCII data into application variables when both of the following conditions are true:
 - CURRENTAPPENSCH = ASCII is specified in the initialization file, or the CCSID that is specified for the CURRENTAPPENSCH keyword is an ASCII CCSID.
 - The *fCType* argument specifies SQL_C_CHAR or SQL_C_DBCHAR in the SQLGetData() call.

Handling data truncation: After each SQLGetData() call, if the data available for return is greater than or equal to *cbValueMax*, the data is truncated. Truncation is indicated by a function return code of SQL_SUCCESS_WITH_INFO coupled with a SQLSTATE denoting data truncation. You can call SQLGetData() again, on the same column, to subsequently retrieve the truncated data. To obtain the entire column, repeat these calls until SQLGetData() returns SQL_SUCCESS. If you call SQLGetData() after it returns SQL_SUCCESS, it returns SQL_NO_DATA_FOUND.

When Db2 ODBC truncates digits to the right of the decimal point from numeric data types, Db2 ODBC issues a warning. When Db2 ODBC truncates digits to the left of the decimal point, however, Db2 ODBC returns an error. (See [“Diagnostics”](#) on page 238 for more information.)

To eliminate warnings when data is truncated, call SQLSetStmtAttr() with the SQL_ATTR_MAX_LENGTH attribute set to a maximum length value. Then allocate a buffer for the *rgbValue* argument that is the same size (plus the nul-terminator) as the value that you specified for SQL_ATTR_MAX_LENGTH. If the column data is larger than the maximum number of bytes that you specified for SQL_ATTR_MAX_LENGTH, SQL_SUCCESS is returned. When you specify a maximum length, Db2 ODBC returns the length you specify, not the actual length, for the *pcbValue* argument.

Using LOB locators: Although you can use SQLGetData() to retrieve LOB column data sequentially, use the Db2 ODBC LOB functions when you need a only portion or a few sections of LOB data. Use the following procedure instead of SQLGetData() if you want to retrieve portions of LOB values:

1. Bind the column to a LOB locator.
2. Fetch the row.
3. Use the locator in a SQLGetSubString() call to retrieve the data in pieces. (SQLGetLength() and SQLGetPosition() might also be required for determining the values of some of the arguments).
4. Repeat step [“2”](#) on page 237 and [“3”](#) on page 237 for each row in the result set.

Discarding data from an active retrieval: To discard data from a retrieval that is currently active, call SQLGetData() with the *icol* argument set to the next column position from which you want to retrieve data. To discard data that you have not retrieved, call SQLFetch() to advance the cursor to the next row. Call SQLFreeStmt() or SQLCloseCursor() if you have finished retrieving data from the result set.

Allocating buffers: The *fCType* input argument determines the type of data conversion (if any) that occurs before the column data is placed into the buffer to which the *rgbValue* argument points.

For SQL graphic column data, the following conditions apply:

- The size of the buffer that the *rgbValue* argument specifies must be a multiple of 2 bytes. (The *cbValueMax* value must specify this value as a multiple of 2 bytes also.) Before you call SQLGetData(), call SQLDescribeCol() or SQLColAttribute() to determine the SQL data type and the length, in bytes, of data in the result set.
- The *pcbValue* argument must not specify a null pointer. Db2 ODBC stores the number of octets that are stored in the buffer to which the *rgbValue* argument points.

- If you retrieve data in pieces, Db2 ODBC attempts to fill *rgbValue* to the nearest multiple of two octets that is less than or equal to the value the *cbValueMax* argument specifies. If *cbValueMax* is not a multiple of two, the last byte in that buffer is never used. Db2 ODBC does not split a double-byte character.

The buffer that the *rgbValue* argument specifies contains nul-terminated values, unless you retrieve binary data, or the SQL data type of the column is graphic (DBCS) and the C buffer type is SQL_C_CHAR. If you retrieve data in pieces, you must perform the proper adjustments to the nul-terminator when you reassemble these pieces. (That is, you must remove nul-terminators before concatenating the pieces of data.)

Return codes

After you call `SQLGetData()`, it returns one of the following values:

- SQL_SUCCESS
- SQL_SUCCESS_WITH_INFO
- SQL_ERROR
- SQL_INVALID_HANDLE
- SQL_NO_DATA_FOUND

SQL_SUCCESS is returned if `SQLGetData()` retrieves a zero-length string. For zero-length strings, *pcbValue* contains 0, and *rgbValue* contains a nul-terminator.

SQL_NO_DATA_FOUND is returned when the preceding `SQLGetData()` call has retrieved all of the data for this column.

If the preceding call to `SQLFetch()` failed, **do not** call `SQLGetData()`. In this case, `SQLGetData()` retrieves undefined data.

Diagnostics

The following table lists each SQLSTATE that this function generates, with a description and explanation for each value.

Table 135. `SQLGetData()` SQLSTATES

SQLSTATE	Description	Explanation
01004	Data truncated.	Data that is returned for the column that the <i>icol</i> argument specifies is truncated. String or numeric values are right truncated. (<code>SQLGetData()</code> returns SQL_SUCCESS_WITH_INFO for this SQLSTATE.)
07006	Invalid conversion.	This SQLSTATE is returned for one or more of the following reasons: <ul style="list-style-type: none"> • The data value cannot be converted to the C data type specified by the <i>fCType</i> argument. • The function is called with a value for the <i>icol</i> argument that was specified in a previous <code>SQLGetData()</code> call, but the value for the <i>fCType</i> argument differs in each of these calls.
08S01	Communication link failure.	The communication link between the application and data source fails before the function completes.
22002	Invalid output or indicator buffer specified.	The pointer that is specified in the <i>pcbValue</i> argument is a null pointer, and the value of the column is also null. The function cannot report SQL_NULL_DATA.

Table 135. *SQLGetData()* SQLSTATEs (continued)

SQLSTATE	Description	Explanation
22008	Invalid datetime format or datetime field overflow.	Datetime field overflow occurred. Example: An arithmetic operation on a date or timestamp results in a value that is not within the valid range of dates, or a datetime value cannot be assigned to a bound variable because the variable is too small.
22018	Error in assignment.	A returned value is incompatible with the data type that the <i>fCType</i> argument denotes.
24000	Invalid cursor state.	The previous <i>SQLFetch()</i> resulted in <i>SQL_ERROR</i> or <i>SQL_NO_DATA</i> found; as a result, the cursor is not positioned on a row.
58004	Unexpected system failure.	Unrecoverable system error.
HY001	Memory allocation failure.	Db2 ODBC is not able to allocate the required memory to support the execution or the completion of the function.
HY002	Invalid column number.	This SQLSTATE is returned for one or more of the following reasons: <ul style="list-style-type: none"> • The specified column is less than 0 or greater than the number of result columns. • The specified column is 0 (the <i>icol</i> argument is set to 0), but Db2 ODBC does not support ODBC bookmarks. • <i>SQLExtendedFetch()</i> is called for this result set.
HY003	Program type out of range.	The <i>fCType</i> argument specifies an invalid data type or <i>SQL_C_DEFAULT</i> .
HY009	Invalid use of a null pointer.	This SQLSTATE is returned for one or more of the following reasons: <ul style="list-style-type: none"> • The <i>rgbValue</i> argument specifies a null pointer. • The <i>pcbValue</i> argument specifies a null pointer but the SQL data type of the column is graphic (DBCS). • The <i>pcbValue</i> argument specifies a null pointer but the <i>fCType</i> argument specifies <i>SQL_C_CHAR</i>.
HY010	Function sequence error.	This SQLSTATE is returned for one or more of the following reasons: <ul style="list-style-type: none"> • The statement handle does not contain a cursor in a positioned state. <i>SQLGetData()</i> is called without first calling <i>SQLFetch()</i>. • The function is called during a data-at-execute operation. (That is, the function is called during a procedure that uses the <i>SQLParamData()</i> or <i>SQLPutData()</i> functions.)
HY013	Unexpected memory handling error.	Db2 ODBC is not able to access the memory that is required to support execution or completion of the function.
HY019	Numeric value out of range.	When the numeric value (as numeric or string) for the column is returned, the whole part of the number is truncated.

Table 135. *SQLGetData()* SQLSTATEs (continued)

SQLSTATE	Description	Explanation
HY090	Invalid string or buffer length.	The value of the <i>cbValueMax</i> argument is less than 0 and the <i>fCType</i> argument specifies one of the following values: <ul style="list-style-type: none"> • SQL_C_CHAR • SQL_C_BINARY • SQL_C_DBCHAR • SQL_C_DEFAULT (for the default types of SQL_C_CHAR, SQL_C_BINARY, or SQL_C_DBCHAR)
HYC00	Driver not capable.	This SQLSTATE is returned for one or more of the following reasons: <ul style="list-style-type: none"> • The SQL data type for the specified data type is recognized but Db2 ODBC does not support this data type. • Db2 ODBC cannot perform the conversion between the SQL data type and application data type that is specified in the <i>fCType</i> argument. • <i>SQLExtendedFetch()</i> is called on the statement handle that is specified in the <i>hstmt</i> argument.

Restrictions

ODBC has defined column 0 for bookmarks. Db2 ODBC does not support bookmarks.

Example

The following example shows an application that uses *SQLGetData()* to retrieve data. You can compare this example with the one in *SQLFetch()* for a comparison in using bound columns.

```

/*****
/*      Populate BIOGRAPHY table from flat file text. Insert      */
/*      VITAE in 80-byte pieces via SQLPutData. Also retrieve    */
/*      NAME, UNIT and VITAE for all members. VITAE is retrieved*/
/*      via SQLGetData.                                         */
*****/
#include <stdio.h>
#include <string.h>
#include <stdlib.h>
#include <sqlca.h>
#include "sqlcli1.h"
#define TEXT_SIZE 80
int insert_bio (SQLHSTMT hStmt,          // insert_bio prototype
               char      *bio,
               int       bcount);

int main( )
{
    SQLHENV      hEnv      = SQL_NULL_HENV;
    SQLHDBC      hDbc      = SQL_NULL_HDBC;
    SQLHSTMT     hStmt     = SQL_NULL_HSTMT, hStmt2 = SQL_NULL_HSTMT;
    SQLRETURN    rc        = SQL_SUCCESS;
    FILE         *fp;
    SQLINTEGER   RETCODE = 0;
    char         pTable [200];
    char         *pDSN = "STLEC1";
    UWORD        pirow;
    SDWORD       cbValue;
    char         *i_stmt = "INSERT INTO BIOGRAPHY VALUES (?, ?, ?)";
    char         *query  = "SELECT NAME, UNIT, VITAE FROM BIOGRAPHY";
    char         text [TEXT_SIZE]; // file text
    char         vitae [3200];     // biography text
    char         Narrative [TEXT_SIZE];
    SQLINTEGER   vitae_ind = SQL_DATA_AT_EXEC; // bio data is
                                           // passed at execute time
                                           // via SQLPutData

```

```

SQLINTEGER      vitae_cbValue = TEXT_SIZE;
char            *t = NULL;
char            *c = NULL;
char            name [21];
SQLINTEGER      name_ind = SQL_NTS;
SQLINTEGER      name_cbValue = sizeof(name);
char            unit [31];
SQLINTEGER      unit_ind = SQL_NTS;
SQLINTEGER      unit_cbValue = sizeof(unit);
char            tmp [80];
char            *token = NULL, *pbio = vitae;
char            insert = SQL_FALSE;
int             i, bcount = 0;
(void) printf ("**** Entering CLIP09.\n\n");
/*****
*/ Allocate environment handle */
/*****
*/ Allocate connection handle to DSN */
/*****
*/ Allocate connection handle to DSN */
RETCODE = SQLAllocHandle(SQL_HANDLE_ENV, SQL_NULL_HANDLE, hEnv, &hDbc);
if (RETCODE != SQL_SUCCESS)
    goto dberror;
/*****
*/ Allocate connection handle to DSN */
RETCODE = SQLAllocHandle(SQL_HANDLE_DBC, hEnv, &hDbc);
if( RETCODE != SQL_SUCCESS ) // Could not get a Connect Handle
    goto dberror;
/*****
*/ CONNECT TO data source (STLEC1) */
/*****
*/ Allocate connection handle to DSN */
RETCODE = SQLConnect(hDbc, // Connect handle
                    (SQLCHAR *) pDSN, // DSN
                    SQL_NTS, // DSN is nul-terminated
                    NULL, // Null UID
                    0, // Null Auth string
                    NULL, // Null Auth string
                    0);
if( RETCODE != SQL_SUCCESS ) // Connect failed
    goto dberror;
/*****
*/ Allocate statement handles */
/*****
*/ Allocate statement handles */
rc = SQLAllocHandle(SQL_HANDLE_STMT, hDbc, &hStmt);
if (rc != SQL_SUCCESS)
{
    (void) printf ("**** Allocate statement handle failed.\n");
    goto dberror;
}
rc = SQLAllocHandle(SQL_HANDLE_STMT, hDbc, &hStmt2);
if (rc != SQL_SUCCESS)
{
    (void) printf ("**** Allocate statement handle failed.\n");
    goto dberror;
}
/*****
*/ Prepare INSERT statement. */
/*****
*/ Prepare INSERT statement. */
rc = SQLPrepare (hStmt,
                (SQLCHAR *) i_stmt,
                SQL_NTS);
if (rc != SQL_SUCCESS)
{
    (void) printf ("**** Prepare of INSERT failed.\n");
    goto dberror;
}
/*****
*/ Bind NAME and UNIT. Bind VITAE so that data can be passed */
/*****
*/ Bind NAME and UNIT. Bind VITAE so that data can be passed */
/*****
*/ Bind NAME and UNIT. Bind VITAE so that data can be passed */
rc = SQLBindParameter (hStmt, // bind NAME
                      1,
                      SQL_PARAM_INPUT,
                      SQL_C_CHAR,
                      SQL_CHAR,
                      sizeof(name),
                      0,
                      name,
                      sizeof(name),
                      &name_ind);
if (rc != SQL_SUCCESS)
{
    (void) printf ("**** Bind of NAME failed.\n");
    goto dberror;
}

```

```

}
rc = SQLBindParameter (hStmt,          // bind Branch
                      2,
                      SQL_PARAM_INPUT,
                      SQL_C_CHAR,
                      SQL_CHAR,
                      sizeof(unit),
                      0,
                      unit,
                      sizeof(unit),
                      &unit_ind);
if (rc != SQL_SUCCESS)
{
    (void) printf ("**** Bind of UNIT failed.\n");
    goto dberror;
}
rc = SQLBindParameter (hStmt,          // bind Rank
                      3,
                      SQL_PARAM_INPUT,
                      SQL_C_CHAR,
                      SQL_LONGVARCHAR,
                      3200,
                      0,
                      (SQLPOINTER) 3,
                      0,
                      &vitae_ind);
if (rc != SQL_SUCCESS)
{
    (void) printf ("**** Bind of VITAE failed.\n");
    goto dberror;
}
/*****
*/ Read biographical text from flat file
/*****
if ((fp = fopen ("DD: BIOGRAF", "r")) == NULL) // open command file
{
    rc = SQL_ERROR;          // open failed
    goto exit;
}
/*****
*/ Process file and insert biographical text
/*****
while ((t = fgets (text, sizeof(text), fp)) != NULL) &&
      (rc == SQL_SUCCESS))
{
    if (text[0] == '#')      // if commander data
    {
        if (insert)          // if BIO data to be inserted
        {
            rc = insert_bio (hStmt,
                             vitae,
                             bcount);      // insert row into BIOGRAPHY Table
            bcount = 0;          // reset text line count
            pbio = vitae;      // reset text pointer
        }
        token = strtok (text+1, ","); // get member NAME
        (void) strcpy (name, token);
        token = strtok (NULL, "#"); // extract UNIT
        (void) strcpy (unit, token); // copy to local variable
        // SQLPutData
        insert = SQL_TRUE;      // have row to insert
    }
    else
    {
        memset (pbio, ' ', sizeof(text));
        strcpy (pbio, text);    // populate text
        i = strlen (pbio);     // remove '\n' and '\0'
        pbio [i-1] = ' ';
        pbio [i] = ' ';
        pbio += sizeof (text); // advance pbio
        bcount++;             // one more text line
    }
}
if (insert)                  // if BIO data to be inserted
{
    rc = insert_bio (hStmt,
                    vitae,
                    bcount); // insert row into BIOGRAPHY Table
}
fclose (fp);                // close text flat file
/*****
*/ Commit insert of rows
*/

```



```

/*****
rc =SQLEndTran(SQL_HANDLE_DBC, hDbc, SQL_COMMIT);
if (rc != SQL_SUCCESS)
{
    (void) printf ("**** COMMIT FAILED.\n");
    goto dberror;
}
/*****
/* Open query to retrieve NAME, UNIT and VITAE. Bind NAME and */
/* UNIT but leave VITAE unbound. Retrieved using SQLGetData. */
/*****
RETCODE = SQLPrepare (hStmt2,
                    (SQLCHAR *)query,
                    strlen(query));
if (RETCODE != SQL_SUCCESS)
{
    (void) printf ("**** Prepare of Query Failed.\n");
    goto dberror;
}
RETCODE = SQLExecute (hStmt2);
if (RETCODE != SQL_SUCCESS)
{
    (void) printf ("**** Query Failed.\n");
    goto dberror;
}
RETCODE = SQLBindCol (hStmt2,          // bind NAME
                    1,
                    SQL_C_DEFAULT,
                    name,
                    sizeof(name),
                    &name_cbValue);
if (RETCODE != SQL_SUCCESS)
{
    (void) printf ("**** Bind of NAME Failed.\n");
    goto dberror;
}
RETCODE = SQLBindCol (hStmt2,          // bind UNIT
                    2,
                    SQL_C_DEFAULT,
                    unit,
                    sizeof(unit),
                    &unit_cbValue);
if (RETCODE != SQL_SUCCESS)
{
    (void) printf ("**** Bind of UNIT Failed.\n");
    goto dberror;
}
while ((RETCODE = SQLFetch (hStmt2)) != SQL_NO_DATA_FOUND)
{
    (void) printf ("**** Name is %s. Unit is %s.\n\n", name, unit);
    (void) printf ("**** Vitae follows:\n\n");
    for (i = 0; (i < 3200 && RETCODE != SQL_NO_DATA_FOUND); i += TEXT_SIZE)
    {
        RETCODE = SQLGetData (hStmt2,
                            3,
                            SQL_C_CHAR,
                            Narrative,
                            sizeof(Narrative) + 1,
                            &vitae_cbValue);
        if (RETCODE != SQL_NO_DATA_FOUND)
            (void) printf ("%s\n", Narrative);
    }
}
/*****
/* Deallocate statement handles */
/*****
rc = SQLAllocHandle(SQL_HANDLE_STMT, hDbc, hStmt);
rc = SQLAllocHandle(SQL_HANDLE_STMT, hDbc, hStmt2);
/*****
/* DISCONNECT from data source */
/*****
RETCODE = SQLDisconnect(hDbc);
if (RETCODE != SQL_SUCCESS)
    goto dberror;
/*****
/* Deallocate connection handle */
/*****
RETCODE = SQLFreeHandle(SQL_HANDLE_DBC, hDbc);
if (RETCODE != SQL_SUCCESS)
    goto dberror;
/*****
/* Free environment handle */

```

```

/*****
rc = SQLFreeHandle (SQL_HANDLE_ENV, hEnv);
if (RETCODE == SQL_SUCCESS)
    goto exit;
dberror:
RETCODE=12;
exit:
(void) printf ("**** Exiting CLIP09.\n\n");
return RETCODE;
}
/*****
/* FUNCTION insert_bio is invoked to insert one row into the */
/* BIOGRAPHY Table. The biography text is inserted in sets of */
/* 80 bytes via SQLPutData. */
/*****
int insert_bio (SQLHSTMT hStmt,
               char      *vitae,
               int       bcount)
{
    SQLINTEGER      rc = SQL_SUCCESS;
    SQLPOINTER      prgbValue;
    int             i;
    char            *text;
/*****
/* NAME and UNIT are bound... VITAE is provided after execution */
/* of the INSERT using SQLPutData. */
/*****
rc = SQLExecute (hStmt);
if (rc != SQL_NEED_DATA)    // expect SQL_NEED_DATA
{
    rc = 12;
    (void) printf ("**** NEED DATA not returned.\n");
    goto exit;
}
/*****
/* Invoke SQLParamData to position ODBC driver on input parameter*/
/*****
if ((rc = SQLParamData (hStmt,
                       &prgbValue)) != SQL_NEED_DATA)
{
    rc = 12;
    (void) printf ("**** NEED DATA not returned.\n");
    goto exit;
}
/*****
/* Iterate through VITAE in 80 byte increments... pass to */
/* ODBC Driver via SQLPutData. */
/*****
for (i = 0, text = vitae, rc = SQL_SUCCESS;
     (i < bcount) && (rc == SQL_SUCCESS);
     i++, text += TEXT_SIZE)
{
    rc = SQLPutData (hStmt,
                    text,
                    TEXT_SIZE);
}
/*****
/* Invoke SQLParamData to trigger ODBC driver to execute the */
/* statement. */
/*****
if ((rc = SQLParamData (hStmt,
                       &prgbValue)) != SQL_SUCCESS)
{
    rc = 12;
    (void) printf ("**** INSERT Failed.\n");
}
exit:
return (rc);
}

```

Figure 20. An application that retrieves data using `SQLGetData()`

Related concepts

[Application encoding schemes and Db2 ODBC](#)

Unicode and ASCII are alternatives to the EBCDIC character encoding scheme. The Db2 ODBC driver supports input and output character string arguments to ODBC APIs and input and output host variable data in each of these encoding schemes.

Related reference

[C and SQL data types](#)

Db2 ODBC defines a set of SQL symbolic data types. Each SQL symbolic data type has a corresponding default C data type.

[SQLExtendedFetch\(\) - Fetch an array of rows](#)

SQLExtendedFetch() extends the function of SQLFetch() by returning a row set array for each bound column. The value the SQL_ATTR_ROWSET_SIZE statement attribute determines the size of the row set that SQLExtendedFetch() returns.

[SQLFetch\(\) - Fetch the next row](#)

SQLFetch() advances the cursor to the next row of the result set and retrieves any bound columns. Columns can be bound to either the application storage or LOB locators.

[Function return codes](#)

Every ODBC function returns a return code that indicates whether the function invocation succeeded or failed.

SQLGetDiagRec() - Get multiple field settings of diagnostic record

SQLGetDiagRec() returns the current values of multiple fields of a diagnostic record that contains error, warning, and status information. SQLGetDiagRec() also returns several commonly used fields of a diagnostic record, including the SQLSTATE, the native error code, and the error message text.

ODBC specifications for SQLGetDiagRec()

Table 136. SQLGetDiagRec() specifications		
ODBC specification level	In X/Open CLI CAE specification?	In ISO CLI specification?
3.0	Yes	Yes

Syntax

```
SQLRETURN SQLGetDiagRec (SQLSMALLINT SQLHANDLE,
                          SQLSMALLINT SQLCHAR,
                          SQLINTEGER *NativeErrorPtr,
                          SQLCHAR MessageText,
                          SQLSMALLINT BufferLength,
                          SQLSMALLINT *TextLengthPtr);
```

Function arguments

The following table lists the data type, use, and description for each argument in this function.

Table 137. *SQLGetDiagRec()* arguments

Data type	Argument	Use	Description
SQLSMALLINT	<i>HandleType</i>	input	Specifies a handle type identifier that describes the type of handle that you diagnose. This argument must specify one of the following values: <ul style="list-style-type: none"> • SQL_HANDLE_ENV for environment handles • SQL_HANDLE_DBC for connection handles • SQL_HANDLE_STMT for statement handles
SQLHANDLE	<i>Handle</i>	input	Specifies a handle for the diagnostic data structure. This handle must be the type of handle that the <i>HandleType</i> argument indicates.
SQLSMALLINT	<i>RecNumber</i>	input	Indicates the status record from which the application seeks information. Status records are numbered from 1.
SQLCHAR *	<i>SQLState</i>	output	Points to a buffer in which the five-character SQLSTATE, which corresponds to the diagnostic record that is specified in the <i>RecNumber</i> argument, is returned. The first two characters of this SQLSTATE indicate the class; the next three characters indicate the subclass.
SQLINTEGER *	<i>NativeErrorPtr</i>	output	Points to a buffer in the native error code, which is specific to the data source, is returned.
SQLCHAR *	<i>MessageText</i>	output	Points to a buffer in which the error message text is returned. The fields returned by <i>SQLGetDiagRec()</i> are contained in a text string.
SQLSMALLINT	<i>BufferLength</i>	input	Length (in bytes) of the buffer that the <i>MessageText</i> argument specifies.
SQLSMALLINT *	<i>TextLengthPtr</i>	output	Pointer to a buffer that contains the total number of bytes that are available in the buffer that the <i>MessageText</i> argument points to. The total number of available bytes does not include the number of bytes for nul-termination characters. If the number of bytes available to return is greater than the value that the <i>BufferLength</i> argument specifies, the error message text in the buffer is truncated to the value specified for the <i>BufferLength</i> argument minus the length of a nul-termination character.

Usage

An application typically calls *SQLGetDiagRec()* when a previous call to a Db2 ODBC function has returned anything other than *SQL_SUCCESS*. However, because any function can post zero or more errors each time it is called, an application can call *SQLGetDiagRec()* after any function call. An application can call *SQLGetDiagRec()* multiple times to return some or all of the records in the diagnostic data structure.

SQLGetDiagRec() retrieves only the diagnostic information most recently associated with the handle specified in the *Handle* argument. If the application calls any other function, except *SQLGetDiagRec()* (or the ODBC 2.0 *SQLGetDiagRec()* function), any diagnostic information from the previous calls on the same handle is lost.

An application can scan all diagnostic records by looping while it increments *RecNumber* as long as *SQLGetDiagRec()* returns *SQL_SUCCESS*.

Calls to `SQLGetDiagRec()` are nondestructive to the diagnostic record fields. The application can call `SQLGetDiagRec()` again at a later time to retrieve a field from a record, as long as no other function, except `SQLGetDiagRec()` (or the ODBC 2.0 `SQLGetDiagRec()` function), has been called in the interim.

Return codes

After you call `SQLGetDiagRec()`, it returns one of the following values:

- `SQL_SUCCESS`
- `SQL_SUCCESS_WITH_INFO`
- `SQL_INVALID_HANDLE`
- `SQL_ERROR`

For a description of each of these return code values, see the [“Diagnostics” on page 247](#).

Diagnostics

`SQLGetDiagRec()` does not post error values. It uses the function return codes to report diagnostic information. When you call `SQLGetDiagRec()`, these return codes represent the diagnostic information:

- `SQL_SUCCESS`: The function successfully returned diagnostic information.
- `SQL_SUCCESS_WITH_INFO`: The buffer that to which the *MessageText* argument points is too small to hold the requested diagnostic message. No diagnostic records are generated. To determine whether truncation occurred, compare the value specified for the *BufferLength* argument to the actual number of bytes available, which is written to the buffer to which the *TextLengthPtr* argument points.
- `SQL_INVALID_HANDLE`: The handle indicated by *HandleType* and *Handle* is not a valid handle.
- `SQL_ERROR`: One of the following occurred:
 - The *RecNumber* argument is negative or 0.
 - The *BufferLength* argument is less than zero.
- `SQL_NO_DATA`: The *RecNumber* argument is greater than the number of diagnostic records that exist for the handle that is specified in the *Handle* argument. The function also returns `SQL_NO_DATA` for any positive value for the *RecNumber* argument if no diagnostic records are produced for the handle that the *Handle* argument specifies.

Example

Refer to the DSN803VP sample application or online in the data set DSN1210.SDSNSAMP

Related concepts

[DSN803VP sample application](#)

The DSN803VP sample program validates the installation of Db2 ODBC.

Related reference

[SQLFreeHandle\(\)](#) - Free a handle

`SQLFreeHandle()` frees an environment handle, a connection handle, or a statement handle.

[SQLFreeStmt\(\)](#) - Free (or reset) a statement handle

`SQLFreeStmt()` ends processing for a statement, to which a statement handle refers. You can use it to close a cursor or drop the statement handle to free the Db2 ODBC resources that are associated with the statement handle. Call `SQLFreeStmt()` after you execute an SQL statement and process the results.

[SQLGetInfo\(\)](#) - Get general information

SQLGetInfo() returns general information about the database management systems to which the application is currently connected. For example, SQLGetInfo() indicates which data conversions are supported.

SQLGetEnvAttr() - Return current setting of an environment attribute

SQLGetEnvAttr() returns the current setting for an environment attribute. You can also use the SQLSetEnvAttr() function to set these attributes.

ODBC specifications for SQLGetEnvAttr()

Table 138. SQLGetEnvAttr() specifications		
ODBC specification level	In X/Open CLI CAE specification?	In ISO CLI specification?
3.0	Yes	Yes

Syntax

```
SQLRETURN SQLGetEnvAttr (SQLHENV EnvironmentHandle,
                        SQLINTEGER Attribute,
                        SQLPOINTER ValuePtr,
                        SQLINTEGER BufferLength,
                        SQLINTEGER *StringLengthPtr);
```

Function arguments

The following table lists the data type, use, and description for each argument in this function.

Table 139. SQLGetEnvAttr() arguments			
Data type	Argument	Use	Description
SQLHENV	<i>EnvironmentHandle</i>	input	Specifies the environment handle.
SQLINTEGER	<i>Attribute</i>	input	Specifies the attribute to retrieve. The list of environment attributes and their descriptions are described under the function SQLSetEnvAttr().
SQLPOINTER	<i>ValuePtr</i>	output	Points to the buffer in which the current value associated with the <i>Attribute</i> argument is returned. The type of value that is returned depends on what the <i>Attribute</i> argument specifies.
SQLINTEGER	<i>BufferLength</i>	input	Specifies the maximum size of buffer to which the <i>ValuePtr</i> argument points. The following conditions apply to this argument: <ul style="list-style-type: none"> If <i>ValuePtr</i> points to a character string, this argument should specify the length, in bytes, of the buffer or the value SQL_NTS for nul-terminated strings. If you specify SQL_NTS, the driver assumes that the length of the string that is returned is SQL_MAX_OPTIONS_STRING_LENGTH bytes (excluding the nul-terminator). If <i>ValuePtr</i> points to an integer, the <i>BufferLength</i> argument is ignored.

Table 139. *SQLGetEnvAttr()* arguments (continued)

Data type	Argument	Use	Description
SQLINTEGER *	<i>StringLengthPtr</i>	output	Points to a buffer that contains the total number of bytes that are associated with the <i>ValuePtr</i> argument. This number does not include the number of bytes for nul-termination characters. If <i>ValuePtr</i> is a null pointer, no length is returned. If the attribute value is a character string, and the number of bytes available to return is greater than or equal to <i>BufferLength</i> , the data in <i>ValuePtr</i> is truncated to <i>BufferLength</i> minus the length of a nul-termination character. Db2 ODBC then nul-terminates this value. If the <i>Attribute</i> argument does not denote a string, then Db2 ODBC ignores the <i>BufferLength</i> argument and does not set a value in the buffer to which <i>StringLengthPtr</i> points.

Usage

SQLGetEnvAttr() can be called at any time between the allocation and freeing of the environment handle. It obtains the current value of the environment attribute.

Return codes

After you call *SQLGetEnvAttr()*, it returns one of the following values:

- SQL_SUCCESS
- SQL_ERROR
- SQL_INVALID_HANDLE

Diagnostics

The following table lists each SQLSTATE that this function generates, with a description and explanation for each value.

Table 140. *SQLGetEnvAttr()* SQLSTATES

SQLSTATE	Description	Explanation
HY001	Memory allocation failure.	Db2 ODBC is not able to allocate memory that is required to support execution or completion of the function.
HY092	Option type out of range.	An invalid value for the <i>Attribute</i> argument is specified.

Example

The following example prints the current value of an environment attribute. *SQLGetEnvAttr()* retrieves the current value of the attribute *SQL_ATTR_OUTPUT_NTS*.

```
SQLINTEGER output_nts,autocommit;
rc = SQLGetEnvAttr(henv, SQL_ATTR_OUTPUT_NTS, &output_nts, 0, 0);
CHECK_HANDLE( SQL_HANDLE_ENV, henv, rc );
printf("\nNull Termination of Output strings is: ");
if (output_nts == SQL_TRUE)
    printf("True\n");
else
    printf("False\n");
```

Related reference

[SQLAllocHandle\(\)](#) - Allocate a handle

SQLAllocHandle() allocates an environment handle, a connection handle, or a statement handle.

Function return codes

Every ODBC function returns a return code that indicates whether the function invocation succeeded or failed.

SQLSetEnvAttr() - Set environment attributes

SQLSetEnvAttr() sets attributes that affects all connections in an environment.

SQLGetFunctions() - Get functions

SQLGetFunctions() indicates if a specific function is supported.

SQLGetFunctions() allows applications to adapt to different levels of support when they connect to different database servers. A connection to a database server must exist before SQLGetFunctions() is called.

ODBC specifications for SQLGetFunctions()

ODBC specification level	In X/Open CLI CAE specification?	In ISO CLI specification?
1.0	Yes	Yes

Syntax

```
SQLRETURN SQLGetFunctions (SQLHDBC          hdbc,
                            SQLUSMALLINT     fFunction,
                            SQLUSMALLINT FAR *pfExists);
```

Function arguments

The following table lists the data type, use, and description for each argument in this function.

Data type	Argument	Use	Description
SQLHDBC	<i>hdbc</i>	input	Specifies a database connection handle.
SQLUSMALLINT	<i>fFunction</i>	input	Specifies which function is queried. Table 143 on page 251 shows valid <i>fFunction</i> values.
SQLUSMALLINT *	<i>pfExists</i>	output	Points to the buffer where this function returns SQL_TRUE or SQL_FALSE. If the function that is queried is supported, SQL_TRUE is returned into the buffer. If the function is not supported, SQL_FALSE is returned into the buffer.

Usage

[Table 143 on page 251](#) shows the valid values for the *fFunction* argument and whether the corresponding function is supported.

If the *fFunction* argument is set to SQL_API_ALL_FUNCTIONS, then the *pfExists* argument must point to an SQLSMALLINT array of 100 elements. The array is indexed by the values in the *fFunction* argument that are used to identify many of the functions. Some elements of the array are unused and reserved. Because some values for the *fFunction* argument are greater than 100, the array method can not be used to obtain a list of all functions. The SQLGetFunctions() call must be explicitly issued for all values equal to or above 100 for the *fFunction* argument. The complete set of *fFunction* values is defined in sqlcli1.h.

Table 143. *SQLGetFunctions()* functions and values

fFunction	Value Db2 ODBC returns
SQL_API_SQLALLOCCONNECT	SQL_TRUE
SQL_API_SQLALLOCENV	SQL_TRUE
SQL_API_SQLALLOCHANDLE	SQL_TRUE
SQL_API_SQLALLOCSTMT	SQL_TRUE
SQL_API_SQLBINDCOL	SQL_TRUE
SQL_API_SQLBINDFILETOCOL	SQL_TRUE
SQL_API_SQLBINDFILETOPARAM	SQL_TRUE
SQL_API_SQLBINDPARAMETER	SQL_TRUE
SQL_API_SQLBROWSECONNECT	SQL_FALSE
SQL_API_SQLBULKOPERATIONS	SQL_TRUE
SQL_API_SQLCANCEL	SQL_TRUE
SQL_API_SQLCLOSECURSOR	SQL_TRUE
SQL_API_SQLCOLATTRIBUTE	SQL_TRUE
SQL_API_SQLCOLATTRIBUTES	SQL_TRUE
SQL_API_SQLCOLUMNPRIVILEGES	SQL_TRUE
SQL_API_SQLCOLUMNS	SQL_TRUE
SQL_API_SQLCONNECT	SQL_TRUE
SQL_API_SQLDATASOURCES	SQL_TRUE
SQL_API_SQLDESCRIBECOL	SQL_TRUE
SQL_API_SQLDESCRIBEPARAM	SQL_TRUE
SQL_API_SQLDISCONNECT	SQL_TRUE
SQL_API_SQLDRIVERCONNECT	SQL_TRUE
SQL_API_SQLENDTRAN	SQL_TRUE
SQL_API_SQLERROR	SQL_TRUE
SQL_API_SQLEXECDIRECT	SQL_TRUE
SQL_API_SQLEXECUTE	SQL_TRUE
SQL_API_SQLEXTENDEDFETCH	SQL_TRUE
SQL_API_SQLFETCH	SQL_TRUE
SQL_API_SQLFETCHSCROLL	SQL_TRUE
SQL_API_SQLFOREIGNKEYS	SQL_TRUE
SQL_API_SQLFREECONNECT	SQL_TRUE
SQL_API_SQLFREEENV	SQL_TRUE
SQL_API_SQLFREEHANDLE	SQL_TRUE
SQL_API_SQLFREESTMT	SQL_TRUE

Table 143. *SQLGetFunctions()* functions and values (continued)

fFunction	Value Db2 ODBC returns
SQL_API_SQLGETCONNECTATTR	SQL_TRUE
SQL_API_SQLGETCONNECTOPTION	SQL_TRUE
SQL_API_SQLGETCURSORNAME	SQL_TRUE
SQL_API_SQLGETDATA	SQL_TRUE
SQL_API_SQLGETDIAGREC	SQL_TRUE
SQL_API_SQLGETENVATTR	SQL_TRUE
SQL_API_SQLGETFUNCTIONS	SQL_TRUE
SQL_API_SQLGETINFO	SQL_TRUE
SQL_API_SQLGETLENGTH	SQL_TRUE
SQL_API_SQLGETPOSITION	SQL_TRUE
SQL_API_SQLGETSQLCA	SQL_TRUE
SQL_API_SQLGETSTMTATTR	SQL_TRUE
SQL_API_SQLGETSTMTOPTION	SQL_TRUE
SQL_API_SQLGETSUBSTRING	SQL_TRUE
SQL_API_SQLGETTYPEINFO	SQL_TRUE
SQL_API_SQLMORERESULTS	SQL_TRUE
SQL_API_SQLNATIVESQL	SQL_TRUE
SQL_API_SQLNUMPARAMS	SQL_TRUE
SQL_API_SQLNUMRESULTCOLS	SQL_TRUE
SQL_API_SQLPARAMDATA	SQL_TRUE
SQL_API_SQLPARAMOPTIONS	SQL_TRUE
SQL_API_SQLPREPARE	SQL_TRUE
SQL_API_SQLPRIMARYKEYS	SQL_TRUE
SQL_API_SQLPROCEDURECOLUMNS	SQL_TRUE
SQL_API_SQLPROCEDURES	SQL_TRUE
SQL_API_SQLPUTDATA	SQL_TRUE
SQL_API_SQLROWCOUNT	SQL_TRUE
SQL_API_SQLSETCOLATTRIBUTES	SQL_TRUE
SQL_API_SQLSETCONNECTATTR	SQL_TRUE
SQL_API_SQLSETCONNECTION	SQL_TRUE
SQL_API_SQLSETCONNECTOPTION	SQL_TRUE
SQL_API_SQLSETCURSORNAME	SQL_TRUE
SQL_API_SQLSETENVATTR	SQL_TRUE
SQL_API_SQLSETPARAM	SQL_TRUE

Table 143. *SQLGetFunctions()* functions and values (continued)

fFunction	Value Db2 ODBC returns
SQL_API_SQLSETPOS	SQL_TRUE
SQL_API_SQLSETSCROLLOPTIONS	SQL_FALSE
SQL_API_SQLSETSTMTATTR	SQL_TRUE
SQL_API_SQLSETSTMTOPTION	SQL_TRUE
SQL_API_SQLSPECIALCOLUMNS	SQL_TRUE
SQL_API_SQLSTATISTICS	SQL_TRUE
SQL_API_SQLTABLEPRIVILEGES	SQL_TRUE
SQL_API_SQLTABLES	SQL_TRUE
SQL_API_SQLTRANSACT	SQL_TRUE

Return codes

After you call `SQLGetFunctions()`, it returns one of the following values:

- `SQL_SUCCESS`
- `SQL_ERROR`
- `SQL_INVALID_HANDLE`

Diagnostics

The following table lists each `SQLSTATE` that this function generates, with a description and explanation for each value.

Table 144. *SQLGetFunctions()* `SQLSTATES`

SQLSTATE	Description	Explanation
08S01	Communication link failure.	The communication link between the application and data source fails before the function completes.
58004	Unexpected system failure.	Unrecoverable system error.
HY001	Memory allocation failure.	Db2 ODBC is not able to allocate the required memory to support the execution or the completion of the function.
HY009	Invalid use of a null pointer.	The argument <i>pfExists</i> specifies a null pointer.
HY010	Function sequence error.	<code>SQLGetFunctions()</code> is called before a database connection is established.
HY013	Unexpected memory handling error.	Db2 ODBC is not able to access the memory that is required to support execution or completion of the function.

Example

The following example shows an application that connects to a database server and checks for API support using `SQLGetFunctions()`.

```

/*****
/* Execute SQLGetFunctions to verify that APIs required
/* by application are supported.
*****/
#include <stdio.h>
#include <string.h>

```

```

#include <stdlib.h>
#include <sqlca.h>
#include "sqlcli1.h"
typedef struct odbc_api
{
    SQLUSMALLINT    api;
    char            api_name _40];
} ODBC_API;
/*****
/* CLI APIs required by application
*****/
ODBC_API o_api [7] = {
    { SQL_API_SQLBINDPARAMETER, "SQLBindParameter" },
    { SQL_API_SQLDISCONNECT    , "SQLDisconnect"   },
    { SQL_API_SQLGETTYPEINFO   , "SQLGetTypeInfo" },
    { SQL_API_SQLFETCH         , "SQLFetch"       },
    { SQL_API_SQLTRANSACT      , "SQLTransact"    },
    { SQL_API_SQLBINDCOL       , "SQLBindCol"     },
    { SQL_API_SQLEXCEDIRECT    , "SQLExecDirect"  }
};

/*****
/* Validate that required APIs are supported.
*****/
int main( )
{
    SQLHENV          hEnv      = SQL_NULL_HENV;
    SQLHDBC          hDbc      = SQL_NULL_HDBC;
    SQLRETURN        rc        = SQL_SUCCESS;
    SQLINTEGER       RETCODE = 0;
    int              i;
    // SQLGetFunctions parameters
    SQLUSMALLINT     fExists = SQL_TRUE;
    SQLUSMALLINT     *pfExists = &fExists;
    (void) printf ("**** Entering CLIP05.\n\n");
    /*****
    /* Allocate environment handle
    *****/
    RETCODE = SQLAllocHandle(SQL_HANDLE_ENV, SQL_NULL_HANDLE, &hEnv);
    if (RETCODE != SQL_SUCCESS)
        goto dberror;
    /*****
    /* Allocate connection handle to DSN
    *****/
    RETCODE = SQLAllocHandle(SQL_HANDLE_DBC, hEnv, &hDbc);
    if( RETCODE != SQL_SUCCESS ) // Could not get a connect handle
        goto dberror;
    /*****
    /* CONNECT TO data source (STLEC1)
    *****/
    RETCODE = SQLConnect(hDbc, // Connect handle
                        (SQLCHAR *) "STLEC1", // DSN
                        SQL_NTS, // DSN is nul-terminated
                        NULL, // Null UID
                        0, // Null Auth string
                        0);
    if( RETCODE != SQL_SUCCESS ) // Connect failed
        goto dberror;
    /*****
    /* See if DSN supports required ODBC APIs
    *****/
    for (i = 0, (*pfExists = SQL_TRUE);
         (i < (sizeof(o_api)/sizeof(ODBC_API)) && (*pfExists) == SQL_TRUE);
         i++)
    {
        RETCODE = SQLGetFunctions (hDbc,
                                   o_api[i].api,
                                   pfExists);
        if (*pfExists == SQL_TRUE) // if api is supported then print
        {
            (void) printf ("**** ODBC api %s IS supported.\n",
                           o_api[i].api_name);
        }
    }
    if (*pfExists == SQL_FALSE) // a required api is not supported
    {
        (void) printf ("**** ODBC api %s not supported.\n",
                       o_api[i].api_name);
    }
    /*****
    /* DISCONNECT from data source
    *****/

```

```

/*****
RETCODE = SQLDisconnect(hDbc);
if (RETCODE != SQL_SUCCESS)
    goto dberror;
/*****
/* Deallocate connection handle */
/*****
RETCODE = SQLFreeHandle(SQL_HANDLE_DBC, hDbc);
if (RETCODE != SQL_SUCCESS)
    goto dberror;
/*****
/* Free environment handle */
/*****
RETCODE = SQLFreeHandle(SQL_HANDLE_ENV, hEnv);
if (RETCODE == SQL_SUCCESS)
    goto exit;
dberror:
RETCODE=12;
exit:
(void) printf("\n\n**** Exiting CLIP05.\n\n ");
return(RETCODE);
}

```

Figure 21. An application that checks the database server for API support

Related reference

[Function return codes](#)

Every ODBC function returns a return code that indicates whether the function invocation succeeded or failed.

SQLGetInfo() - Get general information

SQLGetInfo() returns general information about the database management systems to which the application is currently connected. For example, SQLGetInfo() indicates which data conversions are supported.

ODBC specifications for SQLGetInfo()

Table 145. SQLGetInfo() specifications		
ODBC specification level	In X/Open CLI CAE specification?	In ISO CLI specification?
1.0	Yes	Yes

Syntax

```

SQLRETURN SQLGetInfo (SQLHDBC ConnectionHandle,
SQLUSMALLINT InfoType,
SQLPOINTER InfoValuePtr,
SQLSMALLINT BufferLength,
SQLSMALLINT *FAR StringLengthPtr);

```

Function arguments

The following table lists the data type, use, and description for each argument in this function.

Table 146. SQLGetInfo() arguments			
Data type	Argument	Use	Description
SQLHDBC	<i>ConnectionHandle</i>	input	Specifies a connection handle
SQLUSMALLINT	<i>InfoType</i>	input	Specifies the type of information to request. This argument must be one of the values in the first column of Table 147 on page 256 .

Table 146. *SQLGetInfo()* arguments (continued)

Data type	Argument	Use	Description
SQLPOINTER	<i>InfoValuePtr</i>	output (and input)	Points to a buffer where this function stores the retrieved information. Depending on the type of information that is retrieved, one of the following 5 types of information is returned: <ul style="list-style-type: none"> • 16-bit integer value • 32-bit integer value • 32-bit binary value • 32-bit mask • Nul-terminated character string
SQLSMALLINT	<i>BufferLength</i>	input	Specifies the maximum length, in bytes, of the buffer to which the <i>InfoValuePtr</i> argument points.
SQLSMALLINT *	<i>StringLengthPtr</i>	output	Points to the buffer where this function returns the number of bytes that are required to avoid truncation of the output information. In the case of string output, this size does not include the nul-terminator. <p>If the value in the location pointed to by <i>StringLengthPtr</i> is greater than the size of the <i>InfoValuePtr</i> buffer as specified in <i>BufferLength</i>, the string output information is truncated to <i>BufferLength</i> - 1 bytes and the function returns with SQL_SUCCESS_WITH_INFO.</p>

Usage

Table 147 on page 256 lists the possible values for the *InfoType* argument and a description of the information that *SQLGetInfo()* returns for each value. This table indicates which *InfoType* argument values were renamed in ODBC 3.0.

Important: If the value that is specified for the *InfoType* argument does not apply or is not supported, the result is dependent on the return type. The following values are returned for each type of unsupported value in the *InfoType* argument:

- Character string containing 'Y' or 'N', 'N' is returned.
- Character string containing a value other than just 'Y' or 'N', an empty string is returned.
- 16-bit integer, 0 (zero).
- 32-bit integer, 0 (zero).
- 32-bit mask, 0 (zero).

The following table specifies each value that you can specify for the *InfoType* argument and describes the information that each of these values will return.

Table 147. Information returned by *SQLGetInfo()*

<i>InfoType</i>	Format	Description and notes
SQL_ACCESSIBLE_PROCEDURES	string	A character string of 'Y' indicates that the user can execute all procedures returned by the function <i>SQLProcedures()</i> . 'N' indicates that procedures can be returned that the user cannot execute.
SQL_ACCESSIBLE_TABLES	string	A character string of 'Y' indicates that the user is guaranteed SELECT privilege to all tables returned by the function <i>SQLTables()</i> . 'N' indicates that tables can be returned that the user cannot access.

Table 147. Information returned by `SQLGetInfo()` (continued)

InfoType	Format	Description and notes
SQL_ACTIVE_ENVIRONMENTS	16-bit integer	The maximum number of active environments that the Db2 ODBC driver can support. If the limit is unspecified or unknown, this value is set to zero.
SQL_AGGREGATE_FUNCTIONS	32-bit mask	A bit mask enumerating support for aggregation functions: <ul style="list-style-type: none"> • SQL_AF_ALL • SQL_AF_AVG • SQL_AF_COUNT • SQL_AF_DISTINCT • SQL_AF_MAX • SQL_AF_MIN • SQL_AF_SUM
SQL_ALTER_DOMAIN	32-bit mask	Db2 ODBC returns 0 indicating that the ALTER DOMAIN statement is not supported. ODBC also defines the following values that Db2 ODBC does not return: <ul style="list-style-type: none"> • SQL_AD_ADD_CONSTRAINT_DEFERRABLE • SQL_AD_ADD_CONSTRAINT_NON_DEFERRABLE • SQL_AD_ADD_CONSTRAINT_INITIALLY_DEFERRED • SQL_AD_ADD_CONSTRAINT_INITIALLY_IMMEDIATE • SQL_AD_ADD_DOMAIN_CONSTRAINT • SQL_AD_ADD_DOMAIN_DEFAULT • SQL_AD_CONSTRAINT_NAME_DEFINITION • SQL_AD_DROP_DOMAIN_CONSTRAINT • SQL_AD_DROP_DOMAIN_DEFAULT
SQL_ALTER_TABLE	32-bit mask	Indicates which clauses in ALTER TABLE are supported by the database management system. <ul style="list-style-type: none"> • SQL_AT_ADD_COLUMN • SQL_AT_DROP_COLUMN
SQL_ASCII_GCCSID	32-bit integer	Specifies the ASCII GCCSID value currently set in the AGCCSID field of Db2 DSNHDECP.
SQL_ASCII_MCCSID	32-bit integer	Specifies the ASCII MCCSID value currently set in the AMCCSID field of Db2 DSNHDECP.
SQL_ASCII_SCCSID	32-bit integer	Specifies the ASCII SCCSID value currently set in the ASCCSID field of Db2 DSNHDECP.
SQL_BATCH_ROW_COUNT	32-bit mask	Indicates the availability of row counts. Db2 ODBC always returns SQL_BRC_ROLLED_UP indicating that row counts for consecutive INSERT, DELETE, or UPDATE statements are rolled up into one. ODBC also defines the following values that Db2 ODBC does not return: <ul style="list-style-type: none"> • SQL_BRC_PROCEDURES • SQL_BRC_EXPLICIT
SQL_BATCH_SUPPORT	32-bit mask	Indicates which level of batches are supported: <ul style="list-style-type: none"> • SQL_BS_SELECT_EXPLICIT, supports explicit batches that can have result-set generating statements. • SQL_BS_ROW_COUNT_EXPLICIT, supports explicit batches that can have row-count generating statements. • SQL_BS_SELECT_PROC, supports explicit procedures that can have result-set generating statements. • SQL_BS_ROW_COUNT_PROC, supports explicit procedures that can have row-count generating statements.
SQL_BOOKMARK_PERSISTENCE	32-bit mask	Reserved attribute, zero is returned for the bit-mask.

Table 147. Information returned by `SQLGetInfo()` (continued)

InfoType	Format	Description and notes
SQL_CATALOG_LOCATION (In previous versions of Db2 ODBC, this <i>InfoType</i> is SQL_QUALIFIER_LOCATION.)	16-bit integer	A 16-bit integer value indicated the position of the qualifier in a qualified table name. Zero indicates that qualified names are not supported.
SQL_CATALOG_NAME	string	A character string of 'Y' indicates that the server supports catalog names. 'N' indicates that catalog names are not supported.
SQL_CATALOG_NAME_SEPARATOR (In previous versions of Db2 ODBC, this <i>InfoType</i> is SQL_QUALIFIER_NAME_SEPARATOR.)	string	The characters used as a separator between a catalog name and the qualified name element that follows it.
SQL_CATALOG_TERM (In previous versions of Db2 ODBC, this <i>InfoType</i> is SQL_QUALIFIER_TERM.)	string	The database vendor's terminology for a qualifier. The name that the vendor uses for the high order part of a three part name. Because Db2 ODBC does not support three part names, a zero-length string is returned. For non-ODBC applications, the SQL_CATALOG_TERM symbolic name should be used instead of SQL_QUALIFIER_NAME.
SQL_CATALOG_USAGE (In previous versions of Db2 ODBC, this <i>InfoType</i> is SQL_QUALIFIER_USAGE.)	32-bit mask	This is similar to SQL_OWNER_USAGE except that this is used for catalog.
SQL_COLLATION_SEQ	string	The name of the collation sequence. This is a character string that indicates the name of the default collation for the default character set for this server (for example, EBCDIC). If this is unknown, an empty string is returned.
SQL_COLUMN_ALIAS	string	Returns 'Y' if column aliases are supported, or 'N' if they are not.
SQL_CONCAT_NULL_BEHAVIOR	16-bit integer	Indicates how the concatenation of null valued character data type columns with non-null valued character data type columns is handled. <ul style="list-style-type: none"> SQL_CB_NULL - indicates the result is a null value (this is the case for IBM relational database management systems). SQL_CB_NON_NULL - indicates the result is a concatenation of non-null column values.

Table 147. Information returned by `SQLGetInfo()` (continued)

InfoType	Format	Description and notes
SQL_CONVERT_BIGINT SQL_CONVERT_BINARY SQL_CONVERT_BIT SQL_CONVERT_CHAR SQL_CONVERT_DATE SQL_CONVERT_DECIMAL SQL_CONVERT_DOUBLE SQL_CONVERT_FLOAT SQL_CONVERT_INTEGER SQL_CONVERT_INTERVAL_DAY_TIME SQL_CONVERT_INTERVAL_YEAR_MONTH SQL_CONVERT_LONGVARBINARY SQL_CONVERT_LONGVARCHAR SQL_CONVERT_NUMERIC SQL_CONVERT_REAL SQL_CONVERT_ROWID SQL_CONVERT_SMALLINT SQL_CONVERT_TIME SQL_CONVERT_TIMESTAMP SQL_CONVERT_TINYINT SQL_CONVERT_VARBINARY SQL_CONVERT_VARCHAR	32-bit mask	<p>Indicates the conversions supported by the data source with the CONVERT scalar function for data of the type named in the <i>InfoType</i>. If the bit mask equals zero, the data source does not support any conversions for the data of the named type, including conversions to the same data type.</p> <p>For example, to find out if a data source supports the conversion of SQL_INTEGER data to the SQL_DECIMAL data type, an application calls <code>SQLGetInfo()</code> with <i>InfoType</i> of SQL_CONVERT_INTEGER. The application then ANDs the returned bit mask with SQL_CVT_DECIMAL. If the resulting value is nonzero then the conversion is supported.</p> <p>The following bit masks are used to determine which conversions are supported:</p> <ul style="list-style-type: none"> • SQL_CVT_BIGINT • SQL_CVT_BINARY • SQL_CVT_BIT • SQL_CVT_CHAR • SQL_CVT_DATE • SQL_CVT_DECIMAL • SQL_CVT_DOUBLE • SQL_CVT_FLOAT • SQL_CVT_INTEGER • SQL_CVT_LONGVARBINARY • SQL_CVT_LONGVARCHAR • SQL_CVT_NUMERIC • SQL_CVT_REAL • SQL_CVT_ROWID • SQL_CVT_SMALLINT • SQL_CVT_TIME • SQL_CVT_TIMESTAMP • SQL_CVT_TINYINT • SQL_CVT_VARBINARY • SQL_CVT_VARCHAR
SQL_CONVERT_FUNCTIONS	32-bit mask	<p>Indicates the scalar conversion functions supported by the driver and associated data source.</p> <ul style="list-style-type: none"> • SQL_FN_CVT_CONVERT - used to determine which conversion functions are supported. • SQL_FN_CVT_CAST - used to determine which cast functions are supported.
SQL_CORRELATION_NAME	16-bit integer	<p>Indicates the degree of correlation name support by the server:</p> <ul style="list-style-type: none"> • SQL_CN_ANY, supported and can be any valid user-defined name. • SQL_CN_NONE, correlation name not supported. • SQL_CN_DIFFERENT, correlation name supported but it must be different than the name of the table that it represents.

Table 147. Information returned by SQLGetInfo() (continued)

InfoType	Format	Description and notes
SQL_CLOSE_BEHAVIOR	32-bit integer	<p>Indicates whether locks are released when the cursor is closed. The possible values are:</p> <ul style="list-style-type: none"> SQL_CC_NO_RELEASE: locks are not released when the cursor on this statement handle is closed. This is the default. SQL_CC_RELEASE: locks are released when the cursor on this statement handle is closed. <p>Typically cursors are explicitly closed when the function SQLFreeStmt() is called with fOption set to SQL_CLOSE or the statement handle is freed with SQLFreeHandle(). In addition, the end of the transaction (when a commit or rollback is issued) can also cause the closing of the cursor (depending on the WITH HOLD attribute currently in use).</p>
SQL_CREATE_ASSERTION	32-bit mask	<p>Indicates which clauses in the CREATE ASSERTION statement are supported by the database management system. Db2 ODBC always returns zero; the CREATE ASSERTION statement is not supported. ODBC also defines the following values that Db2 ODBC does not return:</p> <ul style="list-style-type: none"> SQL_CA_CREATE_ASSERTION SQL_CA_CONSTRAINT_INITIALLY_DEFERRED SQL_CA_CONSTRAINT_INITIALLY_IMMEDIATE SQL_CA_CONSTRAINT_DEFERRABLE SQL_CA_CONSTRAINT_NON_DEFERRABLE
SQL_CREATE_CHARACTER_SET	32-bit mask	<p>Indicates which clauses in the CREATE CHARACTER SET statement are supported by the database management system. Db2 ODBC always returns zero; the CREATE CHARACTER SET statement is not supported. ODBC also defines the following values that Db2 ODBC does not return:</p> <ul style="list-style-type: none"> SQL_CCS_CREATE_CHARACTER_SET SQL_CCS_COLLATE_CLAUSE SQL_CCS_LIMITED_COLLATION
SQL_CREATE_COLLATION	32-bit mask	<p>Indicates which clauses in the CREATE COLLATION statement are supported by the database management system. Db2 ODBC always returns zero; the CREATE COLLATION statement is not supported. ODBC also defines the following values that Db2 ODBC does not return:</p> <ul style="list-style-type: none"> SQL_CCOL_CREATE_COLLATION
SQL_CREATE_DOMAIN	32-bit mask	<p>Indicates which clauses in the CREATE DOMAIN statement are supported by the database management system. Db2 ODBC always returns zero; the CREATE DOMAIN statement is not supported. ODBC also defines the following values that Db2 ODBC does not return:</p> <ul style="list-style-type: none"> SQL_CDO_CREATE_DOMAIN SQL_CDO_CONSTRAINT_NAME_DEFINITION SQL_CDO_DEFAULT SQL_CDO_CONSTRAINT SQL_CDO_COLLATION SQL_CDO_CONSTRAINT_INITIALLY_DEFERRED SQL_CDO_CONSTRAINT_INITIALLY_IMMEDIATE SQL_CDO_CONSTRAINT_DEFERRABLE SQL_CDO_CONSTRAINT_NON_DEFERRABLE

Table 147. Information returned by SQLGetInfo() (continued)

InfoType	Format	Description and notes
SQL_CREATE_SCHEMA	32-bit mask	<p>Indicates which clauses in the CREATE SCHEMA statement are supported by the database management system:</p> <ul style="list-style-type: none"> • SQL_CS_CREATE_SCHEMA • SQL_CS_AUTHORIZATION • SQL_CS_DEFAULT_CHARACTER_SET
SQL_CREATE_TABLE	32-bit mask	<p>Indicates which clauses in the CREATE TABLE statement are supported by the database management system. The following bit masks are used to determine which clauses are supported:</p> <ul style="list-style-type: none"> • SQL_CT_CREATE_TABLE • SQL_CT_TABLE_CONSTRAINT • SQL_CT_CONSTRAINT_NAME_DEFINITION <p>The following bits specify the ability to create temporary tables:</p> <ul style="list-style-type: none"> • SQL_CT_COMMIT_PRESERVE, deleted rows are preserved on commit. • SQL_CT_COMMIT_DELETE, deleted rows are deleted on commit. • SQL_CT_GLOBAL_TEMPORARY, global temporary tables can be created. • SQL_CT_LOCAL_TEMPORARY, local temporary tables can be created. <p>The following bits specify the ability to create column constraints:</p> <ul style="list-style-type: none"> • SQL_CT_COLUMN_CONSTRAINT, specifying column constraints is supported. • SQL_CT_COLUMN_DEFAULT, specifying column defaults is supported. • SQL_CT_COLUMN_COLLATION, specifying column collation is supported. <p>The following bits specify the supported constraint attributes if specifying column or table constraints is supported:</p> <ul style="list-style-type: none"> • SQL_CT_CONSTRAINT_INITIALLY_DEFERRED • SQL_CT_CONSTRAINT_INITIALLY_IMMEDIATE • SQL_CT_CONSTRAINT_DEFERRABLE • SQL_CT_CONSTRAINT_NON_DEFERRABLE
SQL_CREATE_TRANSLATION	32-bit mask	<p>Indicates which clauses in the CREATE TRANSLATION statement are supported by the database management system. Db2 ODBC always returns zero; the CREATE TRANSLATION statement is not supported. ODBC also defines the following value that Db2 ODBC does not return:</p> <ul style="list-style-type: none"> • SQL_CTR_CREATE_TRANSLATION
SQL_CURSOR_COMMIT_BEHAVIOR	16-bit integer	<p>Indicates how a COMMIT operation affects cursors. A value of:</p> <ul style="list-style-type: none"> • SQL_CB_DELETE, destroys cursors and drops access plans for dynamic SQL statements. • SQL_CB_CLOSE, destroys cursors, but retains access plans for dynamic SQL statements (including non-query statements) • SQL_CB_PRESERVE, retains cursors and access plans for dynamic statements (including non-query statements). Applications can continue to fetch data, or close the cursor and re-execute the query without re-preparing the statement. <p>After COMMIT, a FETCH must be issued to reposition the cursor before actions such as positioned updates or deletes can be taken.</p>

Table 147. Information returned by `SQLGetInfo()` (continued)

InfoType	Format	Description and notes
SQL_CURSOR_ROLLBACK_BEHAVIOR	16-bit integer	<p>Indicates how a ROLLBACK operation affects cursors. A value of:</p> <ul style="list-style-type: none"> SQL_CB_DELETE, destroys cursors and drops access plans for dynamic SQL statements. SQL_CB_CLOSE, destroys cursors, but retains access plans for dynamic SQL statements (including non-query statements) SQL_CB_PRESERVE, retains cursors and access plans for dynamic statements (including non-query statements). Applications can continue to fetch data, or close the cursor and re-execute the query without re-preparing the statement. <p>Db2 servers do not have the SQL_CB_PRESERVE property.</p>
SQL_CURSOR_SENSITIVITY	32-bit unsigned integer	<p>Indicates support for cursor sensitivity:</p> <ul style="list-style-type: none"> SQL_INSENSITIVE All cursors on the statement handle show the result set without reflecting any changes made to the result set by any other cursor within the same transaction. SQL_UNSPECIFIED It is unspecified whether cursors on the statement handle make visible the changes made to a result set by another cursor within the same transaction. Cursors on the statement handle may make visible none, some, or all such changes. SQL_SENSITIVE Cursors are sensitive to changes made by other cursors within the same transaction.
SQL_DATA_SOURCE_NAME	string	The name used as data source on the input to <code>SQLConnect()</code> , or the DSN keyword value in the <code>SQLDriverConnect()</code> connection string.
SQL_DATA_SOURCE_READ_ONLY	string	A character string of "Y" indicates that the database is set to READ ONLY mode; an "N" indicates that it is not set to READ ONLY mode.
SQL_DATABASE_NAME	string	The name of the current database in use. Also, this information returned by <code>SELECT CURRENT SERVER</code> on IBM database management systems.
SQL_DBMS_NAME	string	The name of the database management system product being accessed.
SQL_DBMS_VER	string	The version of the database management system product being accessed. A string of the form 'mm.vv.rrrr' where mm is the major version, vv is the minor version and rrrr is the release. For example, "02.01.0000" translates to major version 2, minor version 1, release 0.
SQL_DDL_INDEX	32-bit unsigned integer	<p>Indicates support for the creation and dropping of indexes:</p> <ul style="list-style-type: none"> SQL_DI_CREATE_INDEX SQL_DI_DROP_INDEX

Table 147. Information returned by `SQLGetInfo()` (continued)

InfoType	Format	Description and notes
SQL_DEFAULT_TXN_ISOLATION	32-bit mask	<p>The default transaction isolation level supported.</p> <p>One of the following masks are returned:</p> <ul style="list-style-type: none"> • <code>SQL_TXN_READ_UNCOMMITTED</code> = Changes are immediately perceived by all transactions (dirty read, non-repeatable read, and phantoms are possible). This is equivalent to the IBM UR level. • <code>SQL_TXN_READ_COMMITTED</code> = Row read by transaction 1 can be altered and committed by transaction 2 (non-repeatable read and phantoms are possible) This is equivalent to the IBM CS level. • <code>SQL_TXN_REPEATABLE_READ</code> = A transaction can add or remove rows matching the search condition or a pending transaction (repeatable read, but phantoms are possible) This is equivalent to the IBM RS level. • <code>SQL_TXN_SERIALIZABLE</code> = Data affected by pending transaction is not available to other transactions (repeatable read, phantoms are not possible) This is equivalent to the IBM RR level. • <code>SQL_TXN_VERSIONING</code> = Not applicable to IBM database management systems. • <code>SQL_TXN_NOCOMMIT</code> = Any changes are effectively committed at the end of a successful operation; no explicit commit or rollback is allowed. This is a Db2 for i isolation level. <p>In IBM terminology,</p> <ul style="list-style-type: none"> • <code>SQL_TXN_READ_UNCOMMITTED</code> is uncommitted read; • <code>SQL_TXN_READ_COMMITTED</code> is cursor stability; • <code>SQL_TXN_REPEATABLE_READ</code> is read stability; • <code>SQL_TXN_SERIALIZABLE</code> is repeatable read.
SQL_DESCRIBE_PARAMETER	STRING	'Y' if parameters can be described; 'N' if not.
SQL_DRIVER_HDBC	32 bits	Db2 ODBC's current database handle.
SQL_DRIVER_HENV	32 bits	Db2 ODBC's environment handle.
SQL_DRIVER_HLIB	32 bits	Reserved.
SQL_DRIVER_HSTMT	32 bits	Db2 ODBC's current statement handle for the current connection.
SQL_DRIVER_NAME	string	The file name of the Db2 ODBC implementation. Db2 ODBC returns NULL.
SQL_DRIVER_ODBC_VER	string	The version number of ODBC that the driver supports. Db2 ODBC returns "3.00".
SQL_DRIVER_VER	string	<p>The version of the CLI driver. A string of the form '<i>mm.vv.rrrr</i>'</p> <p>mm The major version.</p> <p>vv The minor version.</p> <p>rrrr The release.</p> <p>For example, '08.01.0000' means, "major version 3, minor version 1, release 0."</p>

Table 147. Information returned by `SQLGetInfo()` (continued)

InfoType	Format	Description and notes
SQL_DROP_ASSERTION	32-bit mask	Indicates which clause in the DROP ASSERTION statement is supported by the database management system. Db2 ODBC always returns zero; the DROP ASSERTION statement is not supported. ODBC also defines the following value that Db2 ODBC does not return: <ul style="list-style-type: none"> • SQL_DA_DROP_ASSERTION
SQL_DROP_CHARACTER_SET	32-bit mask	Indicates which clause in the DROP CHARACTER SET statement is supported by the database management system. Db2 ODBC always returns zero; the DROP CHARACTER SET statement is not supported. ODBC also defines the following value that Db2 ODBC does not return. <ul style="list-style-type: none"> • SQL_DCS_DROP_CHARACTER_SET
SQL_DROP_COLLATION	32-bit mask	Indicates which clause in the DROP COLLATION statement is supported by the database management system. Db2 ODBC always returns zero; the DROP COLLATION statement is not supported. ODBC also defines the following value that Db2 ODBC does not return: <ul style="list-style-type: none"> • SQL_DC_DROP_COLLATION
SQL_DROP_DOMAIN	32-bit mask	Indicates which clauses in the DROP DOMAIN statement are supported by the database management system. Db2 ODBC always returns zero; the DROP DOMAIN statement is not supported. ODBC also defines the following values that Db2 ODBC does not return: <ul style="list-style-type: none"> • SQL_DD_DROP_DOMAIN • SQL_DD_CASCADE • SQL_DD_RESTRICT
SQL_DROP_SCHEMA	32-bit mask	Indicates which clauses in the DROP SCHEMA statement are supported by the database management system. <ul style="list-style-type: none"> • SQL_DS_DROP_SCHEMA • SQL_DS_CASCADE • SQL_DS_RESTRICT
SQL_DROP_TABLE	32-bit mask	Indicates which clauses in the DROP TABLE statement are supported by the database management system: <ul style="list-style-type: none"> • SQL_DT_DROP_TABLE • SQL_DT_CASCADE • SQL_DT_RESTRICT
SQL_DROP_TRANSLATION	32-bit mask	Indicates which clauses in the DROP TRANSLATION statement are supported by the database management system. Db2 ODBC always returns zero; the DROP TRANSLATION statement is not supported. ODBC also defines the following value that Db2 ODBC does not return: <ul style="list-style-type: none"> • SQL_DTR_DROP_TRANSLATION
SQL_DROP_VIEW	32-bit mask	Indicates which clauses in the DROP VIEW statement are supported by the database management system. <ul style="list-style-type: none"> • SQL_DV_DROP_VIEW • SQL_DV_CASCADE • SQL_DV_RESTRICT

Table 147. Information returned by `SQLGetInfo()` (continued)

InfoType	Format	Description and notes
SQL_DYNAMIC_CURSOR_ATTRIBUTES1	32-bit mask	<p>Indicates the attributes of a dynamic cursor that Db2 ODBC supports (subset 1 of 2).</p> <ul style="list-style-type: none"> • SQL_CA1_NEXT • SQL_CA1_ABSOLUTE • SQL_CA1_RELATIVE • SQL_CA1_BOOKMARK • SQL_CA1_LOCK_EXCLUSIVE • SQL_CA1_LOCK_NO_CHANGE • SQL_CA1_LOCK_NOLOCK • SQL_CA1_POS_POSITION • SQL_CA1_POS_UPDATE • SQL_CA1_POS_DELETE • SQL_CA1_POS_REFRESH • SQL_CA1_POSITIONED_UPDATE • SQL_CA1_POSITIONED_DELETE • SQL_CA1_SELECT_FOR_UPDATE • SQL_CA1_BULK_ADD • SQL_CA1_BULK_UPDATE_BY_BOOKMARK • SQL_CA1_BULK_DELETE_BY_BOOKMARK • SQL_CA1_BULK_FETCH_BY_BOOKMARK
SQL_DYNAMIC_CURSOR_ATTRIBUTES2	32-bit mask	<p>Indicates the attributes of a dynamic cursor that Db2 ODBC supports (subset 2 of 2).</p> <ul style="list-style-type: none"> • SQL_CA2_READ_ONLY_CONCURRENCY • SQL_CA2_LOCK_CONCURRENCY • SQL_CA2_OPT_ROWVER_CONCURRENCY • SQL_CA2_OPT_VALUES_CONCURRENCY • SQL_CA2_SENSITIVITY_ADDITIONS • SQL_CA2_SENSITIVITY_DELETIONS • SQL_CA2_SENSITIVITY_UPDATES • SQL_CA2_MAX_ROWS_SELECT • SQL_CA2_MAX_ROWS_INSERT • SQL_CA2_MAX_ROWS_DELETE • SQL_CA2_MAX_ROWS_UPDATE • SQL_CA2_MAX_ROWS_CATALOG • SQL_CA2_MAX_ROWS_AFFECTS_ALL • SQL_CA2_CRC_EXACT • SQL_CA2_CRC_APPROXIMATE • SQL_CA2_SIMULATE_NON_UNIQUE • SQL_CA2_SIMULATE_TRY_UNIQUE • SQL_CA2_SIMULATE_UNIQUE
SQL_EBCDIC_GCCSID	32-bit integer	Specifies the EBCDIC GCCSID value currently set in the AGCCSID field of Db2 DSNHDECP.
SQL_EBCDIC_MCCSID	32-bit integer	Specifies the EBCDIC MCCSID value currently set in the AMCCSID field of Db2 DSNHDECP.
SQL_EBCDIC_SCCSID	32-bit integer	Specifies the EBCDIC SCCSID value currently set in the ASCCSID field of Db2 DSNHDECP.
SQL_EXPRESSIONS_IN_ORDERBY	string	The character string 'Y' indicates the database server supports the DIRECT specification of expressions in the ORDER BY list, 'N' indicates that it does not.

Table 147. Information returned by SQLGetInfo() (continued)

InfoType	Format	Description and notes
SQL_FETCH_DIRECTION	32-bit mask	<p>The supported fetch directions.</p> <p>The following bit-masks are used in conjunction with the flag to determine which attribute values are supported.</p> <ul style="list-style-type: none"> • SQL_FD_FETCH_NEXT • SQL_FD_FETCH_FIRST • SQL_FD_FETCH_LAST • SQL_FD_FETCH_PREV • SQL_FD_FETCH_ABSOLUTE • SQL_FD_FETCH_RELATIVE • SQL_FD_FETCH_RESUME
SQL_FILE_USAGE	16-bit integer	Reserved. Zero is returned.
SQL_FORWARD_ONLY_CURSOR_ATTRIBUTES1	32-bit mask	<p>Indicates the attributes of a forward-only cursor that Db2 ODBC supports (subset 1 of 2).</p> <ul style="list-style-type: none"> • SQL_CA1_NEXT • SQL_CA1_POSITIONED_UPDATE • SQL_CA1_POSITIONED_DELETE • SQL_CA1_SELECT_FOR_UPDATE • SQL_CA1_LOCK_EXCLUSIVE • SQL_CA1_LOCK_NO_CHANGE • SQL_CA1_LOCK_NOLOCK • SQL_CA1_POS_POSITION • SQL_CA1_POS_UPDATE • SQL_CA1_POS_DELETE • SQL_CA1_POS_REFRESH • SQL_CA1_BULK_ADD • SQL_CA1_BULK_UPDATE_BY_BOOKMARK • SQL_CA1_BULK_DELETE_BY_BOOKMARK • SQL_CA1_BULK_FETCH_BY_BOOKMARK
SQL_FORWARD_ONLY_CURSOR_ATTRIBUTES2	32-bit mask	<p>Indicates the attributes of a forward-only cursor that Db2 ODBC supports (subset 2 of 2).</p> <ul style="list-style-type: none"> • SQL_CA2_READ_ONLY_CONCURRENCY • SQL_CA2_LOCK_CONCURRENCY • SQL_CA2_MAX_ROWS_SELECT • SQL_CA2_MAX_ROWS_CATALOG • SQL_CA2_OPT_ROWVER_CONCURRENCY • SQL_CA2_OPT_VALUES_CONCURRENCY • SQL_CA2_SENSITIVITY_ADDITIONS • SQL_CA2_SENSITIVITY_DELETIONS • SQL_CA2_SENSITIVITY_UPDATES • SQL_CA2_MAX_ROWS_INSERT • SQL_CA2_MAX_ROWS_DELETE • SQL_CA2_MAX_ROWS_UPDATE • SQL_CA2_MAX_ROWS_AFFECTS_ALL • SQL_CA2_CRC_EXACT • SQL_CA2_CRC_APPROXIMATE • SQL_CA2_SIMULATE_NON_UNIQUE • SQL_CA2_SIMULATE_TRY_UNIQUE • SQL_CA2_SIMULATE_UNIQUE

Table 147. Information returned by `SQLGetInfo()` (continued)

InfoType	Format	Description and notes
SQL_GETDATA_EXTENSIONS	32-bit mask	<p>Indicates whether extensions to the <code>SQLGetData()</code> function are supported. The following extensions are currently identified and supported by Db2 ODBC:</p> <ul style="list-style-type: none"> • <code>SQL_GD_ANY_COLUMN</code> <code>SQLGetData()</code> can be called for unbound columns that precede the last bound column. • <code>SQL_GD_ANY_ORDER</code> <code>SQLGetData()</code> can be called for columns in any order. <p>ODBC also defines the following extensions, which are not returned by Db2 ODBC:</p> <ul style="list-style-type: none"> • <code>SQL_GD_BLOCK</code> • <code>SQL_GD_BOUNDED</code>
SQL_GROUP_BY	16-bit integer	<p>Indicates the degree of support for the GROUP BY clause by the server:</p> <ul style="list-style-type: none"> • <code>SQL_GB_NO_RELATION</code>, the columns in the GROUP BY and in the SELECT list are not related • <code>SQL_GB_NOT_SUPPORTED</code>, GROUP BY not supported • <code>SQL_GB_GROUP_BY_EQUALS_SELECT</code>, GROUP BY must include all non-aggregated columns in the select list • <code>SQL_GB_GROUP_BY_CONTAINS_SELECT</code>, the GROUP BY clause must contain all non-aggregated columns in the SELECT list
SQL_IDENTIFIER_CASE	16-bit integer	<p>Indicates case sensitivity of object names (such as table-name). A value of:</p> <ul style="list-style-type: none"> • <code>SQL_IC_UPPER</code> = identifier names are stored in upper case in the system catalog. • <code>SQL_IC_LOWER</code> = identifier names are stored in lower case in the system catalog. • <code>SQL_IC_SENSITIVE</code> = identifier names are case sensitive, and are stored in mixed case in the system catalog. • <code>SQL_IC_MIXED</code> = identifier names are not case sensitive, and are stored in mixed case in the system catalog. <p>IBM specific: Identifier names in IBM database management systems are not case sensitive.</p>
SQL_IDENTIFIER_QUOTE_CHAR	string	Indicates the character used to surround a delimited identifier.

Table 147. Information returned by `SQLGetInfo()` (continued)

InfoType	Format	Description and notes
SQL_INFO_SCHEMA_VIEWS	32-bit mask	<p>Indicates the views in the INFORMATIONAL_SCHEMA that are supported. Db2 ODBC always returns zero; no views in the INFORMATIONAL_SCHEMA are supported. ODBC also defines the following values that Db2 ODBC does not return:</p> <ul style="list-style-type: none"> • SQL_ISV_ASSERTIONS • SQL_ISV_CHARACTER_SETS • SQL_ISV_CHECK_CONSTRAINTS • SQL_ISV_COLLATIONS • SQL_ISV_COLUMN_DOMAIN_USAGE • SQL_ISV_COLUMN_PRIVILEGES • SQL_ISV_COLUMNS • SQL_ISV_CONSTRAINT_COLUMN_USAGE • SQL_ISV_CONSTRAINT_TABLE_USAGE • SQL_ISV_DOMAIN_CONSTRAINTS • SQL_ISV_DOMAINS • SQL_ISV_KEY_COLUMN_USAGE • SQL_ISV_REFERENTIAL_CONSTRAINTS • SQL_ISV_SCHEMATA • SQL_ISV_SQL_LANGUAGES • SQL_ISV_TABLE_CONSTRAINTS • SQL_ISV_TABLE_PRIVILEGES • SQL_ISV_TABLES • SQL_ISV_TRANSLATIONS • SQL_ISV_USAGE_PRIVILEGES • SQL_ISV_VIEW_COLUMN_USAGE • SQL_ISV_VIEW_TABLE_USAGE • SQL_ISV_VIEWS
SQL_INSERT_STATEMENT	32-bit mask	<p>Indicates support for INSERT statements:</p> <ul style="list-style-type: none"> • SQL_IS_INSERT_LITERALS • SQL_IS_INSERT_SEARCHED • SQL_IS_SELECT_INTO
SQL_INTEGRITY (In previous versions of Db2 ODBC, this <i>InfoType</i> is SQL_ODBC_SQL_OPT_IEF.)	string	<p>A 'Y' indicates that the data source supports Integrity Enhanced Facility (IEF) in SQL89 and in X/Open XPG4 Embedded SQL; an 'N' indicates that it does not.</p>

Table 147. Information returned by `SQLGetInfo()` (continued)

InfoType	Format	Description and notes
SQL_KEYSET_CURSOR_ATTRIBUTES1	32-bit mask	<p>Indicates the attributes of a keyset cursor that Db2 ODBC supports (subset 1 of 2).</p> <ul style="list-style-type: none"> • SQL_CA1_NEXT • SQL_CA1_ABSOLUTE • SQL_CA1_RELATIVE • SQL_CA1_BOOKMARK • SQL_CA1_LOCK_EXCLUSIVE • SQL_CA1_LOCK_NO_CHANGE • SQL_CA1_LOCK_NOLOCK • SQL_CA1_POS_POSITION • SQL_CA1_POS_UPDATE • SQL_CA1_POS_DELETE • SQL_CA1_POS_REFRESH • SQL_CA1_POSITIONED_UPDATE • SQL_CA1_POSITIONED_DELETE • SQL_CA1_SELECT_FOR_UPDATE • SQL_CA1_BULK_ADD • SQL_CA1_BULK_UPDATE_BY_BOOKMARK • SQL_CA1_BULK_DELETE_BY_BOOKMARK • SQL_CA1_BULK_FETCH_BY_BOOKMARK
SQL_KEYSET_CURSOR_ATTRIBUTES2	32-bit mask	<p>Indicates the attributes of a keyset cursor that Db2 ODBC supports (subset 2 of 2).</p> <ul style="list-style-type: none"> • SQL_CA2_READ_ONLY_CONCURRENCY • SQL_CA2_LOCK_CONCURRENCY • SQL_CA2_OPT_ROWVER_CONCURRENCY • SQL_CA2_OPT_VALUES_CONCURRENCY • SQL_CA2_SENSITIVITY_ADDITIONS • SQL_CA2_SENSITIVITY_DELETIONS • SQL_CA2_SENSITIVITY_UPDATES • SQL_CA2_MAX_ROWS_SELECT • SQL_CA2_MAX_ROWS_INSERT • SQL_CA2_MAX_ROWS_DELETE • SQL_CA2_MAX_ROWS_UPDATE • SQL_CA2_MAX_ROWS_CATALOG • SQL_CA2_MAX_ROWS_AFFECTS_ALL • SQL_CA2_CRC_EXACT • SQL_CA2_CRC_APPROXIMATE • SQL_CA2_SIMULATE_NON_UNIQUE • SQL_CA2_SIMULATE_TRY_UNIQUE • SQL_CA2_SIMULATE_UNIQUE
SQL_KEYWORDS	string	A string of all the keywords at the database management system that are not in the ODBC's list of reserved words.
SQL_LIKE_ESCAPE_CLAUSE	string	A character string that indicates if an escape character is supported for the metacharacters percent and underscore in a LIKE predicate.
SQL_LOCK_TYPES	32-bit mask	Reserved attribute, zero is returned for the bit mask.

Table 147. Information returned by `SQLGetInfo()` (continued)

InfoType	Format	Description and notes
SQL_MAX_ASYNC_CONCURRENT_STATEMENTS	32-bit unsigned integer	The maximum number of active concurrent statements in asynchronous mode that Db2 ODBC can support on a given connection. This value is zero if this number has no specific limit, or the limit is unknown.
SQL_MAX_BINARY_LITERAL_LEN	32-bit integer	A 32-bit integer value specifying the maximum length of a hexadecimal literal in a SQL statement.
SQL_MAX_CATALOG_NAME_LEN (In previous versions of Db2 ODBC, this <i>InfoType</i> is SQL_MAX_QUALIFIER_NAME_LEN.)	16-bit integer	The maximum length of a catalog qualifier name; first part of a three-part table name (in bytes).
SQL_MAX_CHAR_LITERAL_LEN	32-bit integer	The maximum length of a character literal in an SQL statement (in bytes).
SQL_MAX_COLUMN_NAME_LEN	16-bit integer	The maximum length of a column name (in bytes).
SQL_MAX_COLUMNS_IN_GROUP_BY	16-bit integer	Indicates the maximum number of columns that the server supports in a GROUP BY clause. Zero if no limit.
SQL_MAX_COLUMNS_IN_INDEX	16-bit integer	Indicates the maximum number of columns that the server supports in an index. Zero if no limit.
SQL_MAX_COLUMNS_IN_ORDER_BY	16-bit integer	Indicates the maximum number of columns that the server supports in an ORDER BY clause. Zero if no limit.
SQL_MAX_COLUMNS_IN_SELECT	16-bit integer	Indicates the maximum number of columns that the server supports in a select list. Zero if no limit.
SQL_MAX_COLUMNS_IN_TABLE	16-bit integer	Indicates the maximum number of columns that the server supports in a base table. Zero if no limit.
SQL_MAX_CONCURRENT_ACTIVITIES (In previous versions of Db2 ODBC, this <i>InfoType</i> is SQL_ACTIVE_STATEMENTS.)	16-bit integer	The maximum number of active statements per connection. Zero is returned, indicating that the limit is dependent on database system and Db2 ODBC resources, and limits.
SQL_MAX_CURSOR_NAME_LEN	16-bit integer	The maximum length of a cursor name (in bytes).
SQL_MAX_DRIVER_CONNECTIONS (In previous versions of Db2 ODBC, this <i>InfoType</i> is SQL_ACTIVE_CONNECTIONS.)	16-bit integer	The maximum number of active connections supported per application. Zero is returned, indicating that the limit is dependent on system resources. The MAXCONN keyword in the initialization file or the SQL_MAX_CONNECTIONS environment and connection attribute can be used to impose a limit on the number of connections. This limit is returned if it is set to any value other than zero.
SQL_MAX_IDENTIFIER_LEN	16-bit integer	The maximum size (in characters) that the data source supports for user-defined names.
SQL_MAX_INDEX_SIZE	32-bit integer	Indicates the maximum size in bytes that the server supports for the combined columns in an index. Zero if no limit.
SQL_MAX_PROCEDURE_NAME_LEN	16-bit integer	The maximum length of a procedure name (in bytes).
SQL_MAX_ROW_SIZE	32-bit integer	Specifies the maximum length, in bytes, that the server supports in single row of a base table. Zero if no limit.
SQL_MAX_ROW_SIZE_INCLUDES_LONG	string	Returns 'Y' if <code>SQLGetInfo()</code> with <i>InfoType</i> set to SQL_MAX_ROW_SIZE includes the length of product-specific <i>long string</i> data types. Otherwise, returns 'N'.
SQL_MAX_SCHEMA_NAME_LEN (In previous versions of Db2 ODBC, this <i>InfoType</i> is SQL_MAX_OWNER_NAME_LEN.)	16-bit integer	The maximum length of a schema qualifier name (in bytes).
SQL_MAX_STATEMENT_LEN	32-bit integer	Indicates the maximum length, in bytes, of an SQL statement string, which includes the number of white spaces in the statement.

Table 147. Information returned by `SQLGetInfo()` (continued)

InfoType	Format	Description and notes
SQL_MAX_TABLE_NAME_LEN	16-bit integer	The maximum length of a table name (in bytes).
SQL_MAX_TABLES_IN_SELECT	16-bit integer	Indicates the maximum number of table names allowed in a FROM clause in a <query specification>.
SQL_MAX_USER_NAME_LEN	16-bit integer	Indicates the maximum size allowed for a <user identifier> (in bytes).
SQL_MULT_RESULT_SETS	string	The character string 'Y' indicates that the database supports multiple result sets, 'N' indicates that it does not.
SQL_MULTIPLE_ACTIVE_TXN	string	The character string 'Y' indicates that active transactions on multiple connections are allowed. 'N' indicates that only one connection at a time can have an active transaction.
SQL_NEED_LONG_DATA_LEN	string	A character string reserved for the use of ODBC. 'N' is always returned.
SQL_NON_NULLABLE_COLUMNS	16-bit integer	Indicates whether non-nullable columns are supported: <ul style="list-style-type: none"> • SQL_NNC_NON_NULL, columns can be defined as NOT NULL. • SQL_NNC_NULL, columns can not be defined as NOT NULL.
SQL_NULL_COLLATION	16-bit integer	Indicates where null values are sorted in a list: <ul style="list-style-type: none"> • SQL_NC_HIGH, null values sort high • SQL_NC_LOW, to indicate that null values sort low
SQL_NUMERIC_FUNCTIONS	32-bit mask	Indicates the ODBC scalar numeric functions supported. These functions are intended to be used with the ODBC vendor escape sequence. The following bit masks are used to determine which numeric functions are supported: <ul style="list-style-type: none"> • SQL_FN_NUM_ABS • SQL_FN_NUM_ACOS • SQL_FN_NUM_ASIN • SQL_FN_NUM_ATAN • SQL_FN_NUM_ATAN2 • SQL_FN_NUM_CEILING • SQL_FN_NUM_COS • SQL_FN_NUM_COT • SQL_FN_NUM_DEGREES • SQL_FN_NUM_EXP • SQL_FN_NUM_FLOOR • SQL_FN_NUM_LOG • SQL_FN_NUM_LOG10 • SQL_FN_NUM_MOD • SQL_FN_NUM_PI • SQL_FN_NUM_POWER • SQL_FN_NUM_RADIANS • SQL_FN_NUM_RAND • SQL_FN_NUM_ROUND • SQL_FN_NUM_SIGN • SQL_FN_NUM_SIN • SQL_FN_NUM_SQRT • SQL_FN_NUM_TAN • SQL_FN_NUM_TRUNCATE

Table 147. Information returned by `SQLGetInfo()` (continued)

InfoType	Format	Description and notes
SQL_ODBC_API_CONFORMANCE	16-bit integer	The level of ODBC conformance. <ul style="list-style-type: none"> SQL_OAC_NONE SQL_OAC_LEVEL1 SQL_OAC_LEVEL2
SQL_ODBC_SAG_CLI_CONFORMANCE	16-bit integer	The compliance to the functions of the SQL Access Group (SAG) CLI specification. A value of: <ul style="list-style-type: none"> SQL_OSCC_NOT_COMPLIANT - the driver is not SAG-compliant. SQL_OSCC_COMPLIANT - the driver is SAG-compliant.
SQL_ODBC_SQL_CONFORMANCE	16-bit integer	A value of: <ul style="list-style-type: none"> SQL_OSC_MINIMUM - means that the current database management system supports minimum ODBC SQL grammar. Minimum SQL grammar must include the following elements: <ul style="list-style-type: none"> CREATE TABLE and DROP TABLE data definitions Simple SELECT, INSERT, UPDATE, and DELETE data manipulation Simple expressions CHAR, VARCHAR, and LONG VARCHAR data types SQL_OSC_CORE - means that the current database management system supports ODBC SQL core grammar. Core ODBC SQL grammar must include the following elements: <ul style="list-style-type: none"> Minimum ODBC SQL grammar ALTER TABLE, CREATE INDEX, DROP INDEX, CREATE VIEW, DROP VIEW, GRANT, and REVOKE data definitions Full SELECT data manipulation Subquery and function expressions DECIMAL, NUMERIC, SMALLINT, INTEGER, REAL, FLOAT, DOUBLE PRECISION data types SQL_OSC_EXTENDED - means the current database management system supports extended ODBC SQL grammar. Extended ODBC SQL grammar must include the following elements: <ul style="list-style-type: none"> Core ODBC SQL grammar Positioned UPDATE, positioned DELETE, SELECT FOR UPDATE, and UNION data definitions Scalar functions, literal date, literal time, and literal timestamp expressions BIT, TINYINT, BIGINT, BINARY, VARBINARY, LONG VARBINARY, DATE, TIME, TIMESTAMP, and XML data types Batch SQL statements Procedure calls
SQL_ODBC_VER	string	The version number of ODBC that the driver manager supports. Db2 ODBC returns the string "03.01.0000".

Table 147. Information returned by `SQLGetInfo()` (continued)

InfoType	Format	Description and notes
SQL_OJ_CAPABILITIES	32-bit mask	<p>A 32-bit bit mask enumerating the types of outer join supported. The bit masks are:</p> <ul style="list-style-type: none"> • SQL_OJ_LEFT: Left outer join is supported. • SQL_OJ_RIGHT: Right outer join is supported. • SQL_OJ_FULL: Full outer join is supported. • SQL_OJ_NESTED: Nested outer join is supported. • SQL_OJ_NOT_ORDERED: The order of the tables underlying the columns in the outer join ON clause need not be in the same order as the tables in the JOIN clause. • SQL_OJ_INNER: The inner table of an outer join can also be an inner join. • SQL_OJ_ALL_COMPARISONS_OPS: Any predicate can be used in the outer join ON clause. If this bit is not set, the equality (=) operator is the only valid comparison operator in the ON clause.
SQL_ORDER_BY_COLUMNS_IN_SELECT	string	Set to 'Y' if columns in the ORDER BY clauses must be in the select list; otherwise set to 'N'.
SQL_OUTER_JOINS	string	<p>The character string:</p> <ul style="list-style-type: none"> • 'Y' indicates that outer joins are supported, and Db2 ODBC supports the ODBC outer join request syntax. • 'N' indicates that it is not supported.
SQL_OWNER_TERM (In previous versions of Db2 ODBC, this <i>InfoType</i> is SQL_SCHEMA_TERM.)	string	The database vendor's (owner's) terminology for a schema
SQL_PARAM_ARRAY_ROW_COUNTS	32-bit unsigned integer	<p>Indicates the availability of row counts in a parameterized execution:</p> <ul style="list-style-type: none"> • SQL_PARC_BATCH: Individual row counts are available for each set of parameters. This is conceptually equivalent to the driver generating a batch of SQL statements, one for each parameter set in the array. Extended error information can be retrieved by using the SQL_PARAM_STATUS_PTR descriptor field. • SQL_PARC_NO_BATCH: Only one row count is available, which is the cumulative row count resulting from the execution of the statement for the entire array of parameters. This is conceptually equivalent to treating the statement along with the entire parameter array as one atomic unit. Errors are handled the same as if one statement were executed.
SQL_PARAM_ARRAY_SELECTS	32-bit unsigned integer	<p>Indicates the availability of result sets in a parameterized execution:</p> <ul style="list-style-type: none"> • SQL_PAS_BATCH: One result set is available per set of parameters. This is conceptually equivalent to the driver generating a batch of SQL statements, one for each parameter set in the array. • SQL_PAS_NO_BATCH: Only one result set is available, which represents the cumulative result set resulting from the execution of the statement for the entire array of parameters. This is conceptually equivalent to treating the statement along with the entire parameter array as one atomic unit. • SQL_PAS_NO_SELECT: A driver does not allow a result-set generating statement to be executed with an array of parameters.
SQL_POS_OPERATIONS	32-bit mask	Reserved attribute, zero is returned for the bit mask.

Table 147. Information returned by `SQLGetInfo()` (continued)

InfoType	Format	Description and notes
SQL_POSITIONED_STATEMENTS	32-bit mask	<p>Indicates the degree of support for positioned UPDATE and positioned DELETE statements:</p> <ul style="list-style-type: none"> • SQL_PS_POSITIONED_DELETE • SQL_PS_POSITIONED_UPDATE • SQL_PS_SELECT_FOR_UPDATE, indicates whether the server requires the FOR UPDATE clause to be specified on a <query expression> in order for a column to be updatable using the cursor.
SQL_PROCEDURE_TERM	string	The name a database vendor uses for a procedure
SQL_PROCEDURES	string	'Y' indicates that the data source supports procedures and Db2 ODBC supports the ODBC procedure invocation syntax. 'N' indicates that it does not.
SQL_QUOTED_IDENTIFIER_CASE	16-bit integer	<p>Returns:</p> <ul style="list-style-type: none"> • SQL_IC_UPPER - quoted identifiers in SQL are case insensitive and stored in upper case in the system catalog. • SQL_IC_LOWER - quoted identifiers in SQL are case insensitive and are stored in lower case in the system catalog. • SQL_IC_SENSITIVE - quoted identifiers (delimited identifiers) in SQL are case sensitive and are stored in mixed case in the system catalog. • SQL_IC_MIXED - quoted identifiers in SQL are case insensitive and are stored in mixed case in the system catalog. <p>This should be contrasted with the <code>SQL_IDENTIFIER_CASE</code> <i>InfoType</i>, which is used to determine how (unquoted) identifiers are stored in the system catalog.</p>
SQL_ROW_UPDATES	string	A character string of "Y" indicates changes are detected in rows between multiple fetches of the same rows, "N" indicates that changes are not detected.
SQL_SCHEMA_USAGE (In previous versions of Db2 ODBC, this <i>InfoType</i> is <code>SQL_OWNER_USAGE</code> .)	32-bit mask	<p>Indicates the type of SQL statements that have schema (owners) associated with them when these statements are executed. Schema qualifiers (owners) are:</p> <ul style="list-style-type: none"> • SQL_OU_DML_STATEMENTS - supported in all Data Manipulation Language statements. • SQL_OU_PROCEDURE_INVOCATION - supported in the procedure invocation statement. • SQL_OU_TABLE_DEFINITION - supported in all table definition statements. • SQL_OU_INDEX_DEFINITION - supported in all index definition statements. • SQL_OU_PRIVILEGE_DEFINITION - supported in all privilege definition statements (for example, grant and revoke statements).
SQL_SCROLL_CONCURRENCY	32-bit mask	<p>Indicates the concurrency options that are supported for the cursor.</p> <p>The following bit-masks are used in conjunction with the flag to determine which attribute values are supported:</p> <ul style="list-style-type: none"> • SQL_SCCO_READ_ONLY • SQL_SCCO_LOCK • SQL_SCCO_OPT_TIMESTAMP • SQL_SCCO_OPT_VALUES <p>Db2 ODBC returns <code>SQL_SCCO_LOCK</code>, indicating that the level of locking that is used is the lowest level of locking that is sufficient to ensure the row can be updated is used.</p>

Table 147. Information returned by `SQLGetInfo()` (continued)

InfoType	Format	Description and notes
SQL_SCROLL_OPTIONS	32-bit mask	<p>The scroll options that are supported for scrollable cursors.</p> <p>The following bit masks are used in conjunction with the flag to determine which attribute values are supported:</p> <ul style="list-style-type: none"> • SQL_SO_FORWARD_ONLY • SQL_SO_KEYSET_DRIVEN • SQL_SO_STATIC • SQL_SO_DYNAMIC • SQL_SO_MIXED
SQL_SEARCH_PATTERN_ESCAPE	string	Used to specify what the driver supports as an escape character for catalog functions such as (<code>SQLTables()</code> , <code>SQLColumns()</code>).
SQL_SERVER_NAME	string	The name of the Db2 subsystem to which the application is connected.
SQL_SPECIAL_CHARACTERS	string	Contains all the characters that the server allows in non-delimited identifiers. This includes a...z, A...Z, 0...9, and _.
SQL_SQL92_PREDICATES	32-bit mask	<p>Indicates those predicates that are defined by ANSI/ISO SQL standard of 1992 and that are supported in a SELECT statement.</p> <ul style="list-style-type: none"> • SQL_SP_BETWEEN • SQL_SP_COMPARISON • SQL_SP_EXISTS • SQL_SP_IN • SQL_SP_ISNOTNULL • SQL_SP_ISNULL • SQL_SP_LIKE • SQL_SP_MATCH_FULL • SQL_SP_MATCH_PARTIAL • SQL_SP_MATCH_UNIQUE_FULL • SQL_SP_MATCH_UNIQUE_PARTIAL • SQL_SP_OVERLAPS • SQL_SP_QUANTIFIED_COMPARISON • SQL_SP_UNIQUE
SQL_SQL92_VALUE_EXPRESSIONS	32-bit mask	<p>Indicates those value expressions that are defined by SQL92 and that are supported.</p> <ul style="list-style-type: none"> • SQL_SVE_CASE • SQL_SVE_CAST • SQL_SVE_COALESCE • SQL_SVE_NULLIF

Table 147. Information returned by SQLGetInfo() (continued)

InfoType	Format	Description and notes
SQL_STATIC_CURSOR_ATTRIBUTES1	32-bit mask	<p>Indicates the attributes of a static cursor that Db2 ODBC supports (subset 1 of 2).</p> <ul style="list-style-type: none"> • SQL_CA1_NEXT • SQL_CA1_ABSOLUTE • SQL_CA1_RELATIVE • SQL_CA1_BOOKMARK • SQL_CA1_LOCK_EXCLUSIVE • SQL_CA1_LOCK_NO_CHANGE • SQL_CA1_LOCK_NOLOCK • SQL_CA1_POS_POSITION • SQL_CA1_POS_UPDATE • SQL_CA1_POS_DELETE • SQL_CA1_POS_REFRESH • SQL_CA1_POSITIONED_UPDATE • SQL_CA1_POSITIONED_DELETE • SQL_CA1_SELECT_FOR_UPDATE • SQL_CA1_BULK_ADD • SQL_CA1_BULK_UPDATE_BY_BOOKMARK • SQL_CA1_BULK_DELETE_BY_BOOKMARK • SQL_CA1_BULK_FETCH_BY_BOOKMARK
SQL_STATIC_CURSOR_ATTRIBUTES2	32-bit mask	<p>Indicates the attributes of a static cursor that Db2 ODBC supports (subset 2 of 2).</p> <ul style="list-style-type: none"> • SQL_CA2_READ_ONLY_CONCURRENCY • SQL_CA2_LOCK_CONCURRENCY • SQL_CA2_OPT_ROWVER_CONCURRENCY • SQL_CA2_OPT_VALUES_CONCURRENCY • SQL_CA2_SENSITIVITY_ADDITIONS • SQL_CA2_SENSITIVITY_DELETIONS • SQL_CA2_SENSITIVITY_UPDATES • SQL_CA2_MAX_ROWS_SELECT • SQL_CA2_MAX_ROWS_INSERT • SQL_CA2_MAX_ROWS_DELETE • SQL_CA2_MAX_ROWS_UPDATE • SQL_CA2_MAX_ROWS_CATALOG • SQL_CA2_MAX_ROWS_AFFECTS_ALL • SQL_CA2_CRC_EXACT • SQL_CA2_CRC_APPROXIMATE • SQL_CA2_SIMULATE_NON_UNIQUE • SQL_CA2_SIMULATE_TRY_UNIQUE • SQL_CA2_SIMULATE_UNIQUE

Table 147. Information returned by `SQLGetInfo()` (continued)

InfoType	Format	Description and notes
SQL_STATIC_SENSITIVITY	32-bit mask	<p>Indicates whether changes made by an application with a positioned UPDATE or DELETE statement can be detected by that application:</p> <ul style="list-style-type: none"> • SQL_SS_ADDITIONS: Added rows are visible to the cursor; the cursor can scroll to these rows. All Db2 servers see added rows. • SQL_SS_DELETIONS: Deleted rows are no longer available to the cursor and do not leave a hole in the result set; after the cursor scrolls from a deleted row, it cannot return to that row. • SQL_SS_UPDATES: Updates to rows are visible to the cursor; if the cursor scrolls from and returns to an updated row, the data returned by the cursor is the updated data, not the original data.
SQL_STRING_FUNCTIONS	32-bit mask	<p>Indicates which string functions are supported.</p> <p>The following bit masks are used to determine which string functions are supported:</p> <ul style="list-style-type: none"> • SQL_FN_STR_ASCII • SQL_FN_STR_CHAR • SQL_FN_STR_CONCAT • SQL_FN_STR_DIFFERENCE • SQL_FN_STR_INSERT • SQL_FN_STR_LCASE • SQL_FN_STR_LEFT • SQL_FN_STR_LENGTH • SQL_FN_STR_LOCATE • SQL_FN_STR_LOCATE_2 • SQL_FN_STR_LTRIM • SQL_FN_STR_REPEAT • SQL_FN_STR_REPLACE • SQL_FN_STR_RIGHT • SQL_FN_STR_RTRIM • SQL_FN_STR_SOUNDEX • SQL_FN_STR_SPACE • SQL_FN_STR_SUBSTRING • SQL_FN_STR_UCASE <p>If an application can call the LOCATE scalar function with the <i>string1</i>, <i>string2</i>, and <i>start</i> arguments, the SQL_FN_STR_LOCATE bit mask is returned. If an application can only call the LOCATE scalar function with the <i>string1</i> and <i>string2</i>, the SQL_FN_STR_LOCATE_2 bit mask is returned. If the LOCATE scalar function is fully supported, both bit masks are returned.</p>
SQL_SUBQUERIES	32-bit mask	<p>Indicates which predicates support subqueries:</p> <ul style="list-style-type: none"> • SQL_SQ_COMPARISON - the <i>comparison</i> predicate • SQL_SQ_CORRELATE_SUBQUERIES - all predicates • SQL_SQ_EXISTS - the <i>exists</i> predicate • SQL_SQ_IN - the <i>in</i> predicate • SQL_SQ_QUANTIFIED - the predicates containing a quantification scalar function.

Table 147. Information returned by SQLGetInfo() (continued)

InfoType	Format	Description and notes
SQL_SYSTEM_FUNCTIONS	32-bit mask	<p>Indicates which scalar system functions are supported.</p> <p>The following bit masks are used to determine which scalar system functions are supported:</p> <ul style="list-style-type: none"> • SQL_FN_SYS_DBNAME • SQL_FN_SYS_IFNULL • SQL_FN_SYS_USERNAME <p>Tip: These functions are intended to be used with the escape sequence in ODBC.</p>
SQL_TABLE_TERM	string	The database vendor's terminology for a table.
SQL_TIMEDATE_ADD_INTERVALS	32-bit mask	<p>Indicates whether the special ODBC system function TIMESTAMPADD is supported, and, if it is, which intervals are supported.</p> <p>The following bit masks are used to determine which intervals are supported:</p> <ul style="list-style-type: none"> • SQL_FN_TSI_FRAC_SECOND • SQL_FN_TSI_SECOND • SQL_FN_TSI_MINUTE • SQL_FN_TSI_HOUR • SQL_FN_TSI_DAY • SQL_FN_TSI_WEEK • SQL_FN_TSI_MONTH • SQL_FN_TSI_QUARTER • SQL_FN_TSI_YEAR
SQL_TIMEDATE_DIFF_INTERVALS	32-bit mask	<p>Indicates whether the special ODBC system function TIMEDIFF is supported, and, if it is, which intervals are supported.</p> <p>The following bit masks are used to determine which intervals are supported:</p> <ul style="list-style-type: none"> • SQL_FN_TSI_FRAC_SECOND • SQL_FN_TSI_SECOND • SQL_FN_TSI_MINUTE • SQL_FN_TSI_HOUR • SQL_FN_TSI_DAY • SQL_FN_TSI_WEEK • SQL_FN_TSI_MONTH • SQL_FN_TSI_QUARTER • SQL_FN_TSI_YEAR

Table 147. Information returned by `SQLGetInfo()` (continued)

InfoType	Format	Description and notes
SQL_TIMEDATE_FUNCTIONS	32-bit mask	<p>Indicates which time and date functions are supported.</p> <p>The following bit masks are used to determine which date functions are supported:</p> <ul style="list-style-type: none"> • SQL_FN_TD_CURDATE • SQL_FN_TD_CURTIME • SQL_FN_TD_DAYNAME • SQL_FN_TD_DAYOFMONTH • SQL_FN_TD_DAYOFWEEK • SQL_FN_TD_DAYOFYEAR • SQL_FN_TD_HOUR • SQL_FN_TD_JULIAN_DAY • SQL_FN_TD_MINUTE • SQL_FN_TD_MONTH • SQL_FN_TD_MONTHNAME • SQL_FN_TD_NOW • SQL_FN_TD_QUARTER • SQL_FN_TD_SECOND • SQL_FN_TD_SECONDS_SINCE_MIDNIGHT • SQL_FN_TD_TIMESTAMPADD • SQL_FN_TD_TIMESTAMPDIFF • SQL_FN_TD_WEEK • SQL_FN_TD_YEAR <p>Tip: These functions are intended to be used with the escape sequence in ODBC.</p>
SQL_TXN_CAPABLE	16-bit integer	<p>Indicates whether transactions can contain Data Definition Language, or Data Manipulation Language, or both.</p> <ul style="list-style-type: none"> • SQL_TC_NONE - transactions not supported. • SQL_TC_DML - transactions can only contain Data Manipulation Language statements (SELECT, INSERT, UPDATE, DELETE, and so on) Data Definition Language statements (CREATE TABLE, DROP INDEX, and so on) encountered in a transaction cause an error. • SQL_TC_DDL_COMMIT - transactions can only contain Data Manipulation Language statements. Data Definition Language statements encountered in a transaction cause the transaction to be committed. • SQL_TC_DDL_IGNORE - transactions can only contain Data Manipulation Language statements. Data Definition Language statements encountered in a transaction are ignored. • SQL_TC_ALL - transactions can contain Data Definition Language and Data Manipulation Language statements in any order.

Table 147. Information returned by `SQLGetInfo()` (continued)

InfoType	Format	Description and notes
SQL_TXN_ISOLATION_OPTION	32-bit mask	<p>The transaction isolation levels available at the currently connected database server.</p> <p>The following bit masks are used in conjunction with the flag to determine which attribute values are supported:</p> <ul style="list-style-type: none"> SQL_TXN_READ_UNCOMMITTED SQL_TXN_READ_COMMITTED SQL_TXN_REPEATABLE_READ SQL_TXN_SERIALIZABLE SQL_TXN_NOCOMMIT SQL_TXN_VERSIONING <p>For descriptions of each level, see <code>SQL_DEFAULT_TXN_ISOLATION</code>.</p>
SQL_UNICODE_GCCSID	32-bit integer	Specifies the UNICODE GCCSID value currently set in the UGCCSID field of Db2 DSNHDECP.
SQL_UNICODE_MCCSID	32-bit integer	Specifies the UNICODE MCCSID value currently set in the UMCCSID field of Db2 DSNHDECP.
SQL_UNICODE_SCCSID	32-bit integer	Specifies the UNICODE SCCSID value currently set in the USCCSID field of Db2 DSNHDECP.
SQL_UNION	32-bit mask	<p>Indicates whether the server supports the UNION operator:</p> <ul style="list-style-type: none"> SQL_U_UNION - supports the UNION clause SQL_U_UNION_ALL - supports the ALL keyword in the UNION clause <p>If <code>SQL_U_UNION_ALL</code> is set, <code>SQL_U_UNION</code> is set as well.</p>
SQL_USER_NAME	string	The user name that is used in a particular database. This is the identifier specified on the <code>SQLConnect()</code> call.
SQL_XOPEN_CLI_YEAR	string	Indicates the year of publication of the X/Open specification with which the version of the driver fully complies.

Return codes

After you call `SQLGetInfo()`, it returns one of the following values:

- SQL_SUCCESS
- SQL_SUCCESS_WITH_INFO
- SQL_ERROR
- SQL_INVALID_HANDLE

Diagnostics

The following table lists each SQLSTATE that this function generates, with a description and explanation for each value.

Table 148. `SQLGetInfo()` SQLSTATES

SQLSTATE	Description	Explanation
01004	Data truncated.	The requested information is returned as a string and its length exceeds the length of the application buffer as specified in the <code>BufferLength</code> argument. The <code>StringLengthPtr</code> argument contains the actual (not truncated) length, in bytes, of the requested information. (<code>SQLGetInfo()</code> returns <code>SQL_SUCCESS_WITH_INFO</code> for this SQLSTATE.)

Table 148. *SQLGetInfo()* SQLSTATEs (continued)

SQLSTATE	Description	Explanation
08003	Connection is closed.	The type of information that the <i>InfoType</i> argument requests requires an open connection. Only the value SQL_ODBC_VER does not require an open connection.
08S01	Communication link failure.	The communication link between the application and data source fails before the function completes.
58004	Unexpected system failure.	Unrecoverable system error.
HY001	Memory allocation failure.	Db2 ODBC is not able to allocate the required memory to support the execution or the completion of the function.
HY090	Invalid string or buffer length.	The value specified for the argument <i>BufferLength</i> is less than 0.
HY096	Invalid information type.	An invalid value is specified for the <i>InfoType</i> argument.
HYC00	Driver not capable.	The value specified in the argument <i>InfoType</i> is not supported by Db2 ODBC or is not supported by the data source.

Example

The following lines of code use `SQLGetInfo()` to retrieve the current data source name:

```
SQLCHAR      buffer[255];
SQLSMALLINT  outlen;
rc = SQLGetInfo(hdbc, SQL_DATA_SOURCE_NAME, buffer, 255, &outlen);
printf("\nServer Name: %s\n", buffer);
```

Related concepts

[Stored procedures for ODBC applications](#)

You can design an application to run in two parts: one part on the client and one part on the server. *Stored procedures* are server applications that run at the database, within the same transaction as a client application.

[Vendor escape clauses](#)

Vendor escape clauses increase the portability of your application if your application accesses multiple data sources from different vendors. However, if your application accesses only Db2 data sources, you have no reason to use vendor escape clauses.

Related reference

[Changes to SQLGetInfo\(\) InfoType argument values](#)

Values of the *InfoType* arguments for `SQLGetInfo()` arguments are renamed in ODBC 3.0.

[SQLGetConnectAttr\(\) - Get current attribute setting](#)

`SQLGetConnectAttr()` returns the current setting of a connection attribute and also allows you to set these attributes.

[SQLGetTypeInfo\(\) - Get data type information](#)

`SQLGetTypeInfo()` returns information about the data types that are supported by the database management systems that are associated with Db2 ODBC. This information is returned in an SQL result set. The columns of this result set can be received by using the same functions that you use to process a query.

[Function return codes](#)

Every ODBC function returns a return code that indicates whether the function invocation succeeded or failed.

SQLGetLength() - Retrieve length of a string value

SQLGetLength() retrieves the length (in bytes) of a large object value. The large object value is referenced by a large object locator that the server returns. The locator can be the result of a fetch, or an SQLGetSubString() call during the current transaction.

ODBC specifications for SQLGetLength()

Table 149. SQLGetLength() specifications		
ODBC specification level	In X/Open CLI CAE specification?	In ISO CLI specification?
No	No	No

Syntax

```
SQLRETURN SQLGetLength(
    (SQLHSTMT
    | SQLSMALLINT
    | SQLINTEGER
    | SQLINTEGER FAR
    | SQLINTEGER FAR) hstmt,
    LocatorCType,
    Locator,
    *StringLength,
    *IndicatorValue);
```

Function arguments

The following table lists the data type, use, and description for each argument in this function.

Table 150. SQLGetLength() arguments			
Data type	Argument	Use	Description
SQLHSTMT	<i>hstmt</i>	input	Specifies a statement handle. This can be any statement handle that is allocated but does not currently have a prepared statement assigned to it.
SQLSMALLINT	<i>LocatorCType</i>	input	Specifies the C type of the source LOB locator. This must be one of the following values: <ul style="list-style-type: none"> SQL_C_BLOB_LOCATOR for BLOB data SQL_C_CLOB_LOCATOR for CLOB data SQL_C_DBCLOB_LOCATOR for DBCLOB data
SQLINTEGER	<i>Locator</i>	input	Specifies the LOB locator value. This argument specifies a LOB locator value not the LOB value itself.
SQLINTEGER *	<i>StringLength</i>	output	Points to a buffer that receives the length (in bytes ¹) of the LOB to which the locator argument refers.
SQLINTEGER *	<i>IndicatorValue</i>	output	This argument is always returns zero.

Note:

1. This is in bytes even for DBCLOB data.

Usage

`SQLGetLength()` can determine the length of the data value represented by a LOB locator. Applications use it to determine the overall length of the referenced LOB value so that the appropriate strategy for obtaining some or all of that value can be chosen.

The *Locator* argument can contain any valid LOB locator that is not explicitly freed using a `FREE LOCATOR` statement and that is not implicitly freed because the transaction during which it was created has terminated.

The statement handle must not be associated with any prepared statements or catalog function calls.

Return codes

After you call `SQLGetLength()`, it returns one of the following values:

- `SQL_SUCCESS`
- `SQL_SUCCESS_WITH_INFO`
- `SQL_ERROR`
- `SQL_INVALID_HANDLE`

Diagnostics

The following table lists each `SQLSTATE` that this function generates, with a description and explanation for each value.

40

Table 151. `SQLGetLength()` `SQLSTATEs`

SQLSTATE	Description	Explanation
07006	Invalid conversion.	The combination of the values that the <i>LocatorCType</i> and <i>Locator</i> arguments specify is not valid.
08S01	Communication link failure.	The communication link between the application and data source fails before the function completes.
0F001	The LOB token variable does not currently represent any value.	The value that the <i>Locator</i> argument specifies is not associated with a LOB locator.
58004	Unexpected system failure.	Unrecoverable system error.
HY001	Memory allocation failure.	Db2 ODBC is not able to allocate the required memory to support the execution or the completion of the function.
HY003	Program type out of range.	The <i>LocatorCType</i> argument does not specify one of the following values: <ul style="list-style-type: none">• <code>SQL_C_CLOB_LOCATOR</code>• <code>SQL_C_BLOB_LOCATOR</code>• <code>SQL_C_DBCLOB_LOCATOR</code>
HY009	Invalid use of a null pointer.	The <i>StringLength</i> argument specifies a null pointer.
HY013	Unexpected memory handling error.	Db2 ODBC is not able to access the memory that is required to support execution or completion of the function.
HYC00	Driver not capable.	The application is currently connected to a data source that does not support large objects.

Restrictions

This function is not available when you connect to a Db2 server that does not support large objects. Call `SQLGetFunctions()` with the *fFunction* argument set to `SQL_API_SQLGETLENGTH` and check the *fExists* output argument to determine if the function is supported for the current connection.

Example

Refer to the function `SQLGetPosition()` for a related example.

Related reference

`SQLBindCol()` - Bind a column to an application variable

`SQLBindCol()` binds a column to an application variable. You can call `SQLBindCol()` once for each column in a result set from which you want to retrieve data or LOB locators.

`SQLExtendedFetch()` - Fetch an array of rows

`SQLExtendedFetch()` extends the function of `SQLFetch()` by returning a *row set* array for each bound column. The value the `SQL_ATTR_ROWSET_SIZE` statement attribute determines the size of the row set that `SQLExtendedFetch()` returns.

`SQLFetch()` - Fetch the next row

`SQLFetch()` advances the cursor to the next row of the result set and retrieves any bound columns. Columns can be bound to either the application storage or LOB locators.

`SQLGetPosition()` - Find the starting position of a string

`SQLGetPosition()` returns the starting position of one string within a LOB value (the source). The source value must be a LOB locator; the search string can be a LOB locator or a literal string.

`SQLGetSubString()` - Retrieve a portion of a string value

`SQLGetSubString()` retrieves a portion of a large object value that is referenced by a LOB locator.

Function return codes

Every ODBC function returns a return code that indicates whether the function invocation succeeded or failed.

SQLGetPosition() - Find the starting position of a string

`SQLGetPosition()` returns the starting position of one string within a LOB value (the source). The source value must be a LOB locator; the search string can be a LOB locator or a literal string.

The source and search LOB locators can be any value that is returned from the database from a fetch or a `SQLGetSubString()` call during the current transaction.

ODBC specifications for SQLGetPosition()

Table 152. <code>SQLGetPosition()</code> specifications		
ODBC specification level	In X/Open CLI CAE specification?	In ISO CLI specification?
No	No	No

Syntax

```
SQLRETURN SQLGetPosition (SQLHSTMT          hstmt,
                          SQLSMALLINT       LocatorCType,
                          SQLINTEGER        SourceLocator,
                          SQLINTEGER        SearchLocator,
                          SQLCHAR          *SearchLiteral,
                          SQLINTEGER        SearchLiteralLength,
                          SQLUINTEGER       FromPosition,
                          SQLUINTEGER FAR   *LocatedAt,
                          SQLINTEGER FAR    *IndicatorValue);
```

Function arguments

The following table lists the data type, use, and description for each argument in this function.

Table 153. *SQLGetPosition()* arguments

Data type	Argument	Use	Description
SQLHSTMT	<i>hstmt</i>	input	Specifies a statement handle. This can be any statement handle that is allocated but does not currently have a prepared statement assigned to it.
SQLSMALLINT	<i>LocatorCType</i>	input	Specifies the C type of the source LOB locator. This argument must specify one of the following values: <ul style="list-style-type: none"> • SQL_C_BLOB_LOCATOR for BLOB data • SQL_C_CLOB_LOCATOR for CLOB data • SQL_C_DBCLOB_LOCATOR for DBCLOB data
SQLINTEGER	<i>Locator</i>	input	Specifies the source LOB locator.
SQLINTEGER	<i>SearchLocator</i>	input	Specifies a LOB locator that refers to a search string. This argument is ignored unless both the following conditions are met: <ul style="list-style-type: none"> • The <i>SearchLiteral</i> argument specifies a null pointer. • The <i>SearchLiteralLength</i> argument is set to 0.
SQLCHAR *	<i>SearchLiteral</i>	input	This argument points to the area of storage that contains the search string literal. If <i>SearchLiteralLength</i> is 0, this pointer must be null.
SQLINTEGER	<i>SearchLiteralLength</i> <i>h</i>	input	The length of the string in <i>SearchLiteral</i> (in bytes). ¹ If this argument value is 0, you specify the search string with a LOB locator. (The <i>SearchLocator</i> argument specifies the search string when it is represented by a LOB locator.)
SQLINTEGER	<i>FromPosition</i>	input	For BLOBs and CLOBs, this argument specifies the position of the byte within the source string at which the search is to start. For DBCLOBs, this argument specifies the character at which the search is to start. The start-byte or start-character is numbered 1.
SQLINTEGER *	<i>LocatedAt</i>	output	Specifies the position at which the search string was located. For BLOBs and CLOBs, this location is the byte position. For DBCLOBs, this location is the character position. If the search string is not located this argument returns zero. If the length of the source string is zero, the value 1 is returned.
SQLINTEGER *	<i>IndicatorValue</i>	output	Always set to zero.

Note:

1. This is in bytes even for DBCLOB data.

Usage

Use `SQLGetPosition()` in conjunction with `SQLGetSubString()` to obtain a portion of a string in a random manner. To use `SQLGetSubString()`, you must know the location of the substring within the overall string in advance. In situations in which you want to use a search string to find the start of a substring, use `SQLGetPosition()`.

The *Locator* and *SearchLocator* arguments (if they are used) can contain any valid LOB locator that is not explicitly freed using a `FREE LOCATOR` statement or that is not implicitly freed because the transaction during which it was created has terminated.

The *Locator* and *SearchLocator* arguments must specify LOB locators of the same type.

The statement handle must not be associated with any prepared statements or catalog function calls.

Return codes

After you call `SQLGetPosition()`, it returns one of the following values:

- `SQL_SUCCESS`
- `SQL_SUCCESS_WITH_INFO`
- `SQL_ERROR`
- `SQL_INVALID_HANDLE`

Diagnostics

The following table lists each `SQLSTATE` that this function generates, with a description and explanation for each value.

Table 154. `SQLGetPosition()` `SQLSTATE`s

SQLSTATE	Description	Explanation
07006	Invalid conversion.	The combination of the value that the <i>LocatorCType</i> argument specifies with either of the LOB locator values is not valid.
08S01	Communication link failure.	The communication link between the application and data source fails before the function completes.
0F001	The LOB token variable does not currently represent any value.	A value specified for the <i>Locator</i> or <i>SearchLocator</i> arguments is currently not a LOB locator.
42818	The operands of an operator or function are not compatible.	The length of the search pattern is longer than 4000 bytes.
58004	Unexpected system failure.	Unrecoverable system error.
HY001	Memory allocation failure.	Db2 ODBC is not able to allocate the required memory to support the execution or the completion of the function.

Table 154. *SQLGetPosition()* SQLSTATEs (continued)

SQLSTATE	Description	Explanation
HY009	Invalid use of a null pointer.	This SQLSTATE is returned for one or more of the following reasons: <ul style="list-style-type: none"> • The pointer that the <i>LocatedAt</i> argument specifies is null. • The argument value for the <i>FromPosition</i> argument is not greater than 0. • The <i>LocatorCType</i> argument is not one of the following values: <ul style="list-style-type: none"> – SQL_C_CLOB_LOCATOR – SQL_C_BLOB_LOCATOR – SQL_C_DBCLOB_LOCATOR
HY013	Unexpected memory handling error.	Db2 ODBC is not able to access the memory that is required to support execution or completion of the function.
HY090	Invalid string or buffer length.	The value of <i>SearchLiteralLength</i> is less than 1, and not SQL_NTS.
HYC00	Driver not capable.	The application is currently connected to a data source that does not support large objects.

Restrictions

This function is available only when you connect to a Db2 server that supports large objects. Call `SQLGetFunctions()` with the *fFunction* argument set to `SQL_API_SQLGETPOSITION` and check the *fExists* output argument to determine if the function is supported for the current connection.

Example

The following example shows an application that retrieves a substring from a large object. To find where in a large object this substring begins, the application calls `SQLGetPosition()`.

```

/* ... */
SQLCHAR      stmt2[] =
              "SELECT resume FROM emp_resume "
              "WHERE empno = ? AND resume_format = 'ascii';

/* ... */
/*****
** Get CLOB locator to selected resume **
*****/
rc = SQLBindParameter(hstmt, 1, SQL_PARAM_INPUT, SQL_C_CHAR, SQL_CHAR,
                      7, 0, Empno.s, sizeof(Empno.s), &Empno.ind);
printf("\n>Enter an employee number:\n");
gets(Empno.s);
rc = SQLExecDirect(hstmt, stmt2, SQL_NTS);
rc = SQLBindCol(hstmt, 1, SQL_C_CLOB_LOCATOR, &ClobLoc1, 0,
               &pcbValue);
rc = SQLFetch(hstmt);
/*****
Search CLOB locator to find "Interests"
Get substring of resume (from position of interests to end)
*****/
rc = SQLAllocHandle(SQL_HANDLE_STMT, hdbc, &lhstmt);
/* Get total length */
rc = SQLGetLength(lhstmt, SQL_C_CLOB_LOCATOR, ClobLoc1, &SLength, &Ind);
/* Get Starting position */
rc = SQLGetPosition(lhstmt, SQL_C_CLOB_LOCATOR, ClobLoc1, 0,
                  "Interests", 9, 1, &Pos1, &Ind);
buffer = (SQLCHAR *)malloc(SLength - Pos1 + 1);
/* Get just the "Interests" section of the Resume CLOB */
/* (From Pos1 to end of CLOB) */
rc = SQLGetSubString(lhstmt, SQL_C_CLOB_LOCATOR, ClobLoc1, Pos1,
                    SLength - Pos1, SQL_C_CHAR, buffer, SLength - Pos1 + 1,
                    &OutLength, &Ind);
/* Print Interest section of Employee's resume */
printf("\nEmployee #: %s\n %s\n", Empno.s, buffer);
/* ... */

```

Figure 22. An application that retrieves a substring from a large object

Related reference

[SQLBindCol\(\)](#) - Bind a column to an application variable

[SQLBindCol\(\)](#) binds a column to an application variable. You can call [SQLBindCol\(\)](#) once for each column in a result set from which you want to retrieve data or LOB locators.

[SQLExtendedFetch\(\)](#) - Fetch an array of rows

[SQLExtendedFetch\(\)](#) extends the function of [SQLFetch\(\)](#) by returning a *row set* array for each bound column. The value the `SQL_ATTR_ROWSET_SIZE` statement attribute determines the size of the row set that [SQLExtendedFetch\(\)](#) returns.

[SQLFetch\(\)](#) - Fetch the next row

[SQLFetch\(\)](#) advances the cursor to the next row of the result set and retrieves any bound columns. Columns can be bound to either the application storage or LOB locators.

[SQLGetFunctions\(\)](#) - Get functions

[SQLGetFunctions\(\)](#) indicates if a specific function is supported.

[SQLGetLength\(\)](#) - Retrieve length of a string value

[SQLGetLength\(\)](#) retrieves the length (in bytes) of a large object value. The large object value is referenced by a large object locator that the server returns. The locator can be the result of a fetch, or an [SQLGetSubString\(\)](#) call during the current transaction.

[SQLGetSubString\(\)](#) - Retrieve a portion of a string value

[SQLGetSubString\(\)](#) retrieves a portion of a large object value that is referenced by a LOB locator.

[Function return codes](#)

Every ODBC function returns a return code that indicates whether the function invocation succeeded or failed.

SQLGetSQLCA() - Get SQLCA data structure

SQLGetSQLCA() returns the SQLCA (SQL communication area) that is associated with preparing and executing an SQL statement, fetching data, or closing a cursor. The SQLCA can return supplemental information about the data that is obtained by SQLGetDiagRec().

An SQLCA is not available if a function is processed strictly on the application side, such as allocating a statement handle. In this case, an empty SQLCA is returned with all values set to zero.

ODBC specifications for SQLGetSQLCA()

Table 155. SQLGetSQLCA specifications		
ODBC specification level	In X/Open CLI CAE specification?	In ISO CLI specification?
No	No	No

Syntax

```
SQLRETURN SQLGetSQLCA(
    (SQLHENV      henv,
     SQLHDBC      hdbc,
     SQLHSTMT     hstmt,
     struct sqlca FAR *pSqlca);
```

Function arguments

The following table lists the data type, use, and description for each argument in this function.

Table 156. SQLGetSQLCA() arguments

Data type	Argument	Use	Description
SQLHENV	<i>henv</i>	input	Specifies the environment handle.
SQLHDBC	<i>hdbc</i>	input	Specifies a connection handle.
SQLHSTMT	<i>hstmt</i>	input	Specifies a statement handle.
SQLCA *	<i>pqlca</i>	output	Points to a buffer to receive the SQL communication area.

Usage

The handles are used in the same way as for the SQLGetDiagRec() function. To obtain the SQLCA associated with different handle types, use the following argument values:

- For an environment handle: specify a valid environment handle, set *hdbc* to SQL_NULL_HDBC and set *hstmt* and SQL_NULL_HSTMT.
- For a connection handle: specify a valid database connection handle and set *hstmt* to SQL_NULL_HSTMT. The *henv* argument is ignored.
- For a statement handle: specify a valid statement handle. The *henv* and *hdbc* arguments are ignored.

If diagnostic information that one Db2 ODBC function generates is not retrieved before a function other than SQLGetDiagRec() is called on the same handle, the diagnostic information for the previous function call is lost. This information is lost regardless of whether the second Db2 ODBC function call generates diagnostic information.

If a Db2 ODBC function is called that does not result in interaction with the database management system, then the SQLCA contains all zeros. Meaningful information is returned in the SQLCA for the following functions:

- SQLCancel()
- SQLConnect(), SQLDisconnect()
- SQLExecDirect(), SQLExecute()
- SQLFetch()
- SQLPrepare()
- SQLEndTran()
- SQLColumns()
- SQLConnect()
- SQLGetData (if a LOB column is involved)
- SQLSetConnectAttr() (for SQL_ATTR_AUTOCOMMIT)
- SQLStatistics()
- SQLTables()
- SQLColumnPrivileges()
- SQLExtendedFetch()
- SQLForeignKeys()
- SQLMoreResults()
- SQLPrimaryKeys()
- SQLProcedureColumns()
- SQLProcedures()
- SQLTablePrivileges()

Return codes

After you call SQLGetSQLCA(), it returns one of the following values:

- SQL_SUCCESS
- SQL_ERROR
- SQL_INVALID_HANDLE

Example

The following example shows an application that uses SQLGetSQLCA() to retrieve diagnostic information from the SQLCA.

```

/*****
/* Prepare a query and execute that query against a non-existent */
/* table. Then invoke SQLGetSQLCA to extract                      */
/* native SQLCA data structure. Note that this API is NOT      */
/* defined within ODBC; it is unique to IBM CLI.                */
*****/
#include <stdio.h>
#include <string.h>
#include <stdlib.h>
#include <sqlca.h>
#include "sqlcli1.h"
void print_sqlca (SQLHENV,          // prototype for print_sqlca
                 SQLHDBC,
                 SQLHSTMT);

int main( )
{
    SQLHENV      hEnv   = SQL_NULL_HENV;
    SQLHDBC      hDbc   = SQL_NULL_HDBC;
    SQLHSTMT     hStmt  = SQL_NULL_HSTMT;
    SQLRETURN    rc     = SQL_SUCCESS;

```



```

SQLINTEGER      RETCODE = 0;
char            *pDSN = "STLEC1";
SWORD          cbCursor;
SDWORD         cbValue1;
SDWORD         cbValue2;
char           employee [30];
int            salary = 0;
int            param_salary = 30000;
char          *stmt = "SELECT NAME, SALARY FROM EMPLOYEES WHERE SALARY > ?";
(void) printf ("**** Entering CLIP11.\n\n");
/*****
*/
/* Allocate environment handle */
/*****
RETCODE = SQLAllocHandle(SQL_HANDLE_ENV, SQL_NULL_HANDLE, &hEnv);
if (RETCODE != SQL_SUCCESS)
    goto dberror;
/*****
/* Allocate connection handle to DSN */
/*****
RETCODE = SQLAllocHandle(SQL_HANDLE_DBC, hEnv, &hDbc);
if( RETCODE != SQL_SUCCESS ) // Could not get a Connect Handle
    goto dberror;
/*****
/* CONNECT TO data source (STLEC1) */
/*****
RETCODE = SQLConnect(hDbc, // Connect handle
                    (SQLCHAR *) pDSN, // DSN
                    SQL_NTS, // DSN is nul-terminated
                    NULL, // Null UID
                    0,
                    NULL, // Null Auth string
                    0);
if( RETCODE != SQL_SUCCESS ) // Connect failed
    goto dberror;
/*****
/* Allocate statement handles */
/*****
rc = SQLAllocHandle(SQL_HANDLE_STMT, SQL_NULL_HANDLE, hDbc, &hStmt);
if (rc != SQL_SUCCESS)
    goto exit;
/*****
/* Prepare the query for multiple execution within current */
/* transaction. Note that query is collapsed when transaction */
/* is committed or rolled back. */
/*****
rc = SQLPrepare (hStmt,
                (SQLCHAR *) stmt,
                strlen(stmt));
if (rc != SQL_SUCCESS)
{
    (void) printf ("**** PREPARE OF QUERY FAILED.\n");
    (void) print_sqlca (hStmt,
                      hDbc,
                      hEnv);
    goto dberror;
}
rc = SQLBindCol (hStmt, // bind employee name
                1,
                SQL_C_CHAR,
                employee,
                sizeof(employee),
                &cbValue1);
if (rc != SQL_SUCCESS)
{
    (void) printf ("**** BIND OF NAME FAILED.\n");
    goto dberror;
}
rc = SQLBindCol (hStmt, // bind employee salary
                2,
                SQL_C_LONG,
                &salary,
                0,
                &cbValue2);
if (rc != SQL_SUCCESS)
{
    (void) printf ("**** BIND OF SALARY FAILED.\n");
    goto dberror;
}
/*****
/* Bind parameter to replace '?' in query. This has an initial */
/* value of 30000. */
/*****

```

```

rc = SQLBindParameter (hStmt,
                      1,
                      SQL_PARAM_INPUT,
                      SQL_C_LONG,
                      SQL_INTEGER,
                      0,
                      0,
                      &param_salary,
                      0,
                      NULL);
/*****
/* Execute prepared statement to generate answer set. */
*****/
rc = SQLExecute (hStmt);
if (rc != SQL_SUCCESS)
{
    (void) printf ("**** EXECUTE OF QUERY FAILED.\n");
    (void) print_sqlca (hStmt,
                      hDbc,
                      hEnv);
    goto dberror;
}
/*****
/* Answer set is available -- Fetch rows and print employees */
/* and salary. */
*****/
(void) printf ("**** Employees whose salary exceeds %d follow.\n\n",
              param_salary);
while ((rc = SQLFetch (hStmt)) == SQL_SUCCESS)
{
    (void) printf ("**** Employee Name %s with salary %d.\n",
                  employee,
                  salary);
}
/*****
/* Deallocate statement handles -- statement is no longer in a */
/* Prepared state. */
*****/
rc = SQLFreeHandle(SQL_HANDLE_STMT, hStmt);
/*****
/* DISCONNECT from data source */
*****/
RETCODE = SQLDisconnect(hDbc);
if (RETCODE != SQL_SUCCESS)
    goto dberror;
/*****
/* Deallocate connection handle */
*****/
RETCODE = SQLFreeHandle(SQL_HANDLE_DBC, hDbc);
if (RETCODE != SQL_SUCCESS)
    goto dberror;
/*****
/* Free environment handle */
*****/
RETCODE = SQLFreeHandle(SQL_HANDLE_ENV, hEnv);
if (RETCODE == SQL_SUCCESS)
    goto exit;
dberror:
RETCODE=12;
exit:
(void) printf ("**** Exiting CLIP11.\n\n");
return RETCODE;
}
/*****
/* print_sqlca invokes SQLGetSQLCA and prints the native SQLCA. */
*****/
void print_sqlca (SQLHENV hEnv ,
                 SQLHDBC hDbc ,
                 SQLHSTMT hStmt)
{
    SQLRETURN rc = SQL_SUCCESS;
    struct sqlca sqlca;
    struct sqlca *pSQLCA = &sqlca;
    int code ;
    char state [6];
    char errp [9];
    char tok [40];
    int count, len, start, end, i;
    if ((rc = SQLGetSQLCA (hEnv ,
                          hDbc ,
                          hStmt,
                          pSQLCA)) != SQL_SUCCESS)

```

```

{
    (void) printf ("**** SQLGetSQLCA failed Return Code =
goto exit;
}
code = (int) pSQLCA->sqlcode;
memcpy (state, pSQLCA->sqlstate, 5);
state [5] = '\0';
(void) printf ("**** sqlcode = %d, sqlstate = %s.\n", code, state);
memcpy (errp, pSQLCA->sqlerrp, 8);
errp [8] = '\0';
(void) printf ("**** sqlerrp = %s.\n", errp);
if (pSQLCA->sqlerrml == 0)
    (void) printf ("**** No tokens.\n");
else
{
    for (len = 0, count = 0; len < pSQLCA->sqlerrml; len = ++end)
    {
        start = end = len;
        while ((pSQLCA->sqlerrmc [end] != 0xFF) &&
            (end < pSQLCA->sqlerrml))
            end++;
        if (start != end)
        {
            memcpy (tok, &pSQLCA->sqlerrmc[start],
                (end-start));
            tok [end-start+1] = '\0';
            (void) printf ("**** Token # %d = %s.\n", count++, tok);
        }
    }
}
for (i = 0; i <= 5; i++)
    (void) printf ("**** sqlerrd # %d = %d.\n", i+1, pSQLCA->sqlerrd_i);
for (i = 0; i <= 10; i++)
    (void) printf ("**** sqlwarn # %d = %c.\n", i+1, pSQLCA->sqlwarn_i);
exit:
return;
}

```

Figure 23. An application that retrieves diagnostic information

Related reference

[SQLGetDiagRec\(\)](#) - Get multiple field settings of diagnostic record

[SQLGetDiagRec\(\)](#) returns the current values of multiple fields of a diagnostic record that contains error, warning, and status information. [SQLGetDiagRec\(\)](#) also returns several commonly used fields of a diagnostic record, including the SQLSTATE, the native error code, and the error message text.

Function return codes

Every ODBC function returns a return code that indicates whether the function invocation succeeded or failed.

[Description of SQLCA fields \(Db2 SQL\)](#)

SQLGetStmtAttr() - Get current setting of a statement attribute

[SQLGetStmtAttr\(\)](#) returns the current setting of a statement attribute. To set these statement attributes, use [SQLSetStmtAttr\(\)](#).

ODBC specifications for SQLGetStmtAttr()

ODBC specification level	In X/Open CLI CAE specification?	In ISO CLI specification?
3.0	Yes	Yes

Syntax

```

SQLRETURN SQLGetStmtAttr (SQLHSTMT
                          SQLINTEGER
                          StatementHandle,
                          Attribute,

```

```

SQLPOINTER    ValuePtr,
SQLINTEGER    BufferLength,
SQLINTEGER    *StringLengthPtr);

```

Function arguments

The following table lists the data type, use, and description for each argument in this function.

Table 158. *SQLGetStmtAttr()* arguments

Data type	Argument	Use	Description
SQLHSTMT	<i>StatementHandle</i>	input	Specifies a connection handle.
SQLINTEGER	<i>Attribute</i>	input	Specifies the statement attribute to retrieve. For a complete list of these attributes, refer to the function <i>SQLSetStmtAttr()</i> .
SQLPOINTER	<i>ValuePtr</i>	output	Points to a buffer in which to return the current value of the attribute specified by the <i>Attribute</i> argument. The value that is returned into this buffer is a 32-bit unsigned integer value or a nul-terminated character string. If the a driver-specific value is specified for the <i>Attribute</i> argument, a signed integer might be returned.
SQLINTEGER	<i>BufferLength</i>	input	The value that you specify for this argument depends which of the following types of attributes you query: <ul style="list-style-type: none"> • For ODBC-defined attributes: <ul style="list-style-type: none"> – If the <i>ValuePtr</i> argument points to a character string, the <i>BufferLength</i> argument specifies the length (in bytes) of the buffer to which the <i>ValuePtr</i> argument points. – If the <i>ValuePtr</i> argument points to an integer, the <i>BufferLength</i> argument is ignored. • For driver-defined attributes (IBM extension): <ul style="list-style-type: none"> – If the <i>ValuePtr</i> argument points to a character string, the <i>BufferLength</i> argument specifies the length (in bytes) of the buffer to which the <i>ValuePtr</i> argument points, or specifies SQL_NTS for nul-terminated strings. If SQL_NTS is specified, the driver assumes the length of buffer to which the <i>ValuePtr</i> argument points to be SQL_MAX_OPTIONS_STRING_LENGTH bytes (which excludes the nul-terminator). – If the <i>ValuePtr</i> argument points to an integer, the <i>BufferLength</i> argument is ignored.

Table 158. *SQLGetStmtAttr()* arguments (continued)

Data type	Argument	Use	Description
SQLINTEGER *	<i>StringLengthPtr</i>	output	<p>Points to a buffer in which to return the total number of bytes (excluding the number of bytes returned for the nul-termination character) available to return in the buffer to which the <i>ValuePtr</i> argument points.</p> <ul style="list-style-type: none"> • If the <i>ValuePtr</i> argument specifies a null pointer, no length is returned. • If the attribute value to which <i>ValuePtr</i> points is a character string, and the number of bytes available to return is greater than or equal to <i>BufferLength</i>, the data in <i>ValuePtr</i> is truncated to <i>BufferLength</i> minus the length of a nul-termination character and is nul-terminated by Db2 ODBC. • If the <i>Attribute</i> argument does not denote a string, Db2 ODBC ignores the <i>BufferLength</i> argument and does not return a value in the buffer to which the <i>StringLengthPtr</i> argument points.

Usage

SQLGetStmtAttr() returns the current setting of a statement attribute. You set these attributes using the *SQLSetStmtAttr()* function.

Return codes

After you call *SQLGetStmtAttr()*, it returns one of the following values:

- SQL_SUCCESS
- SQL_SUCCESS_WITH_INFO
- SQL_INVALID_HANDLE
- SQL_ERROR

Diagnostics

The following table lists each SQLSTATE that this function generates, with a description and explanation for each value.

Table 159. *SQLGetStmtAttr()* SQLSTATES

SQLSTATE	Description	Explanation
01000	Warning.	Informational message. (<i>SQLGetStmtAttr()</i> returns SQL_SUCCESS_WITH_INFO for this SQLSTATE.)
01004	Data truncated.	The data that is returned in the buffer to which the <i>ValuePtr</i> argument points is truncated to be the length (in bytes) of the value that the <i>BufferLength</i> argument specifies, minus the length of a nul-terminator. The length (in bytes) of the untruncated string value is returned in the buffer to which the <i>StringLengthPtr</i> argument points. (<i>SQLGetStmtAttr()</i> returns SQL_SUCCESS_WITH_INFO for this SQLSTATE.)
HY000	General error.	An error occurred for which no specific SQLSTATE exists. The error message that <i>SQLGetDiagRec()</i> returns describes the specific error and the cause of that error.

Table 159. *SQLGetStmtAttr()* SQLSTATEs (continued)

SQLSTATE	Description	Explanation
HY001	Memory allocation failure.	Db2 ODBC can not allocate memory that is required to support execution or completion of the function.
HY010	Function sequence error.	SQLExecute() or SQLExecDirect() is called on the statement handle and returns SQL_NEED_DATA. This function is called before data is sent for all data-at-execution parameters or columns. Invoke SQLCancel() to cancel the data-at-execution condition.
HY013	Unexpected memory handling error.	Db2 ODBC is not able to access memory that is required to support execution or completion of the function.
HY090	Invalid string or buffer length.	The value specified for the <i>BufferLength</i> argument is less than 0.
HY092	Option type out of range.	The value specified for the <i>Attribute</i> argument is not valid for this version of Db2 ODBC.
HYC00	Driver not capable.	The value specified for the <i>Attribute</i> argument is a valid connection or statement attribute for the version of the Db2 ODBC driver, but is not supported by the data source.

Example

The following example uses *SQLGetStmtAttr()* to retrieve the current value of a statement attribute:

```
SQLINTEGER cursor_hold;
rc = SQLGetStmtAttr( hstmt, SQL_ATTR_CURSOR_HOLD,
                    &cursor_hold, 0, NULL );

CHECK_HANDLE( SQL_HANDLE_STMT, hstmt, rc );
printf( "\nCursor With Hold is: " );
if ( cursor_hold == SQL_CURSOR_HOLD_ON )
    printf( "ON\n" );
else
    printf( "OFF\n" );
```

Related reference

[SQLGetConnectAttr\(\)](#) - Get current attribute setting

SQLGetConnectAttr() returns the current setting of a connection attribute and also allows you to set these attributes.

[Function return codes](#)

Every ODBC function returns a return code that indicates whether the function invocation succeeded or failed.

[SQLSetConnectAttr\(\)](#) - Set connection attributes

SQLSetConnectAttr() sets attributes that govern aspects of connections.

[SQLSetStmtAttr\(\)](#) - Set statement attributes

SQLSetStmtAttr() sets attributes that are related to a statement. To set an attribute for all statements that are associated with a specific connection, an application can call SQLSetConnectAttr().

SQLGetStmtOption() - Return current setting of a statement option

SQLGetStmtOption() is a deprecated function and is replaced by SQLGetStmtAttr().

ODBC specifications for SQLGetStmtOption()

Table 160. SQLGetStmtOption() specifications		
ODBC specification level	In X/Open CLI CAE specification?	In ISO CLI specification?
1.0 (Deprecated)	Yes	No

Syntax

```
SQLRETURN SQLGetStmtOption (SQLHSTMT          hstmt,
                             SQLUSMALLINT      fOption,
                             SQLPOINTER        pvParam);
```

Function arguments

The following table lists the data type, use, and description for each argument in this function.

Table 161. SQLGetStmtOption() arguments

Data type	Argument	Use	Description
SQLHSTMT	<i>hstmt</i>	input	Specifies a statement handle.
SQLUSMALLINT	<i>fOption</i>	input	Specifies the attribute to set.
SQLPOINTER	<i>pvParam</i>	output	Specifies the value of the attribute. Depending on the value of <i>fOption</i> this can be a 32-bit integer value, or a pointer to a nul-terminated character string. The maximum length of any character string returned is SQL_MAX_OPTION_STRING_LENGTH bytes (which excludes the nul-terminator).

Related reference

[SQLGetStmtAttr\(\) - Get current setting of a statement attribute](#)

SQLGetStmtAttr() returns the current setting of a statement attribute. To set these statement attributes, use SQLSetStmtAttr().

SQLGetSubString() - Retrieve a portion of a string value

SQLGetSubString() retrieves a portion of a large object value that is referenced by a LOB locator.

ODBC specifications for SQLGetSubString()

Table 162. SQLGetSubString() specifications		
ODBC specification level	In X/Open CLI CAE specification?	In ISO CLI specification?
No	No	No

Syntax

```
SQLRETURN SQLGetSubString (SQLHSTMT      hstmt,
                          SQLSMALLINT   LocatorCType,
                          SQLINTEGER     SourceLocator,
                          SQLUINTEGER    FromPosition,
                          SQLUINTEGER    ForLength,
                          SQLSMALLINT   TargetCType,
                          SQLPOINTER     rgbValue,
                          SQLINTEGER     cbValueMax,
                          SQLINTEGER     FAR *StringLength,
                          SQLINTEGER     FAR *IndicatorValue);
```

Function arguments

The following table lists the data type, use, and description for each argument in this function.

Table 163. *SQLGetSubString()* arguments

Data type	Argument	Use	Description
SQLHSTMT	<i>hstmt</i>	input	Specifies a statement handle. This can be any statement handle that is allocated but does not currently have a prepared statement assigned to it.
SQLSMALLINT	<i>LocatorCType</i>	input	Specifies the C type of the source LOB locator with one of the following values: <ul style="list-style-type: none"> SQL_C_BLOB_LOCATOR for BLOB data SQL_C_CLOB_LOCATOR for CLOB data SQL_C_DBCLOB_LOCATOR for DBCLOB data
SQLINTEGER	<i>Locator</i>	input	Specifies the source LOB locator value.
SQLUINTEGER	<i>FromPosition</i>	input	Specifies the position at which the string that is retrieved begins. For BLOBs and CLOBs, this is the position of the first byte the function returns. For DBCLOBs, this is the first character. The start-byte or start-character is numbered 1.
SQLUINTEGER	<i>ForLength</i>	input	Specifies the length of the string that <i>SQLGetSubString()</i> retrieves. For BLOBs and CLOBs, this is the length in bytes. For DBCLOBs, this is the length in characters. <p>If the value that the <i>FromPosition</i> argument specifies is less than the length of the source string, but <i>FromPosition</i> + <i>ForLength</i> - 1 extends beyond the position of the end of the source string, the result is padded on the right with the necessary number of characters (X'00' for BLOBs, single-byte blank character for CLOBs, and double-byte blank character for DBCLOBs).</p>

Table 163. *SQLGetSubString()* arguments (continued)

Data type	Argument	Use	Description
SQLSMALLINT	<i>TargetCType</i>	input	Specifies the target C data type for the string that is retrieved into the buffer to which the <i>rgbValue</i> argument points. This target can be a LOB locator C buffer of one of the following types: <ul style="list-style-type: none"> • SQL_C_CLOB_LOCATOR • SQL_C_BLOB_LOCATOR • SQL_C_DBCLOB_LOCATOR Or, the target can be a C string variable of one of the following types: <ul style="list-style-type: none"> • SQL_C_CHAR for CLOB data • SQL_C_BINARY for BLOB data • SQL_C_DBCHAR for DBCLOB data
SQLPOINTER	<i>rgbValue</i>	output	Pointer to the buffer where the retrieved string value or a LOB locator is stored.
SQLINTEGER	<i>cbValueMax</i>	input	Specifies the maximum size (in bytes) of the buffer to which the <i>rgbValue</i> argument points.
SQLINTEGER *	<i>StringLength</i>	output	If the target C buffer type is intended for a binary or character string variable, not a locator value, this argument points to the length (in bytes ¹) of the substring that is retrieved. If a null pointer is specified, no value is returned.
SQLINTEGER *	<i>IndicatorValue</i>	output	Always returns zero.

Note:

1. This is in bytes even for DBCLOB data.

Usage

Use *SQLGetSubString()* to obtain any portion of the string that a LOB locator represents. The target for this substring can be one of the following objects:

- An appropriate C string variable.
- A new LOB value that is created on the server. The LOB locator for this value can be assigned to a target application variable on the client.

You can use *SQLGetSubString()* as an alternative to *SQLGetData()* for retrieving data in pieces. To use *SQLGetSubString()* to retrieve data in pieces, you first bind a column to a LOB locator. You then use this LOB locator to fetch the LOB value as a whole or in pieces.

The *Locator* argument can contain any valid LOB locator that was returned by a fetch or a previous *SQLGetSubString()* call during the current transaction. Do not free the LOB locator through a *FREE LOCATOR* statement, or execute *SQLGetSubString()* in a different transaction from the one in which the locator is created.

The statement handle must not be associated with any prepared statements or catalog function calls.

Return codes

After you call `SQLGetSubString()`, it returns one of the following values:

- `SQL_SUCCESS`
- `SQL_SUCCESS_WITH_INFO`
- `SQL_ERROR`
- `SQL_INVALID_HANDLE`

Diagnostics

The following table lists each `SQLSTATE` that this function generates, with a description and explanation for each value.

40

Table 164. `SQLGetSubString()` `SQLSTATE`s

SQLSTATE	Description	Explanation
01004	Data truncated.	The amount of returned data is longer than <i>cbValueMax</i> . Actual length, in bytes, that is available for return is stored in <i>StringLength</i> .
07006	Invalid conversion.	This <code>SQLSTATE</code> is returned for one or more of the following reasons: <ul style="list-style-type: none">• The value specified for <i>TargetCType</i> is not <code>SQL_C_CHAR</code>, <code>SQL_C_BINARY</code>, <code>SQL_C_DBCHAR</code> or a LOB locator.• The value specified for <i>TargetCType</i> is inappropriate for the source (for example <code>SQL_C_DBCHAR</code> for a BLOB column).
08S01	Communication link failure.	The communication link between the application and data source fails before the function completes.
0F001	The LOB token variable does not currently represent any value.	The value specified for <i>Locator</i> or <i>SearchLocator</i> is not currently a LOB locator.
22011	A substring error occurred.	<i>FromPosition</i> is greater than the length of the source string.
58004	Unexpected system failure.	Unrecoverable system error.
HY001	Memory allocation failure.	Db2 ODBC is not able to allocate the required memory to support the execution or the completion of the function.
HY003	Program type out of range.	<i>LocatorCType</i> is not one of the following: <ul style="list-style-type: none">• <code>SQL_C_CLOB_LOCATOR</code>• <code>SQL_C_BLOB_LOCATOR</code>• <code>SQL_C_DBCLOB_LOCATOR</code>
HY013	Unexpected memory handling error.	Db2 ODBC is not able to access the memory that is required to support execution or completion of the function.
HY024	Invalid argument value.	The value specified for <i>FromPosition</i> or for <i>ForLength</i> is not a positive integer.
HY090	Invalid string or buffer length.	The value of <i>cbValueMax</i> is less than 0.
HYC00	Driver not capable.	The application is currently connected to a data source that does not support large objects.

Restrictions

This function is not available when connected to a Db2 server that does not support large objects. Call `SQLGetFunctions()` with the function type set to `SQL_API_SQLGETSUBSTRING`, and check the `fExists` output argument to determine if the function is supported for the current connection.

Example

Refer to the function `SQLGetPosition()` for a related example.

Related reference

[SQLBindCol\(\)](#) - Bind a column to an application variable

`SQLBindCol()` binds a column to an application variable. You can call `SQLBindCol()` once for each column in a result set from which you want to retrieve data or LOB locators.

[SQLExtendedFetch\(\)](#) - Fetch an array of rows

`SQLExtendedFetch()` extends the function of `SQLFetch()` by returning a *row set* array for each bound column. The value the `SQL_ATTR_ROWSET_SIZE` statement attribute determines the size of the row set that `SQLExtendedFetch()` returns.

[SQLFetch\(\)](#) - Fetch the next row

`SQLFetch()` advances the cursor to the next row of the result set and retrieves any bound columns. Columns can be bound to either the application storage or LOB locators.

[SQLGetLength\(\)](#) - Retrieve length of a string value

`SQLGetLength()` retrieves the length (in bytes) of a large object value. The large object value is referenced by a large object locator that the server returns. The locator can be the result of a fetch, or an `SQLGetSubString()` call during the current transaction.

[SQLGetPosition\(\)](#) - Find the starting position of a string

`SQLGetPosition()` returns the starting position of one string within a LOB value (the source). The source value must be a LOB locator; the search string can be a LOB locator or a literal string.

[Function return codes](#)

Every ODBC function returns a return code that indicates whether the function invocation succeeded or failed.

SQLGetTypeInfo() - Get data type information

`SQLGetTypeInfo()` returns information about the data types that are supported by the database management systems that are associated with Db2 ODBC. This information is returned in an SQL result set. The columns of this result set can be received by using the same functions that you use to process a query.

ODBC specifications for SQLGetTypeInfo()

Table 165. `SQLGetTypeInfo()` specifications

ODBC specification level	In X/Open CLI CAE specification?	In ISO CLI specification?
1.0	Yes	Yes

Syntax

```
SQLRETURN SQLGetTypeInfo (SQLHSTMT hstmt,  
SQLSMALLINT fSqlType);
```

Function arguments

The following table lists the data type, use, and description for each argument in this function.

Table 166. *SQLGetTypeInfo()* arguments

Data type	Argument	Use	Description
SQLHSTMT	<i>hstmt</i>	input	Specifies a statement handle.
SQLSMALLINT	<i>fSqlType</i>	input	<p>Specifies the SQL data type that is queried. The following values that specify data types are supported:</p> <ul style="list-style-type: none"> • SQL_ALL_TYPES • SQL_BIGINT • SQL_BINARY • SQL_BLOB • SQL_CHAR • SQL_CLOB • SQL_DBCLOB • SQL_DECFLOAT • SQL_DECIMAL • SQL_DOUBLE • SQL_FLOAT • SQL_GRAPHIC • SQL_INTEGER • SQL_LONGVARIABLE • SQL_LONGVARCHAR • SQL_LONGVARGRAPHIC • SQL_NUMERIC • SQL_REAL • SQL_ROWID • SQL_SMALLINT • SQL_TYPE_DATE • SQL_TYPE_TIME • SQL_TYPE_TIMESTAMP • SQL_TYPE_TIMESTAMP_WITH_TIMEZONE • SQL_VARIABLE • SQL_VARCHAR • SQL_VARGRAPHIC • SQL_XML <p>If the value SQL_ALL_TYPES is specified, information about all supported data types is returned in ascending order by TYPE_NAME. All unsupported data types are absent from the result set.</p>

Usage

Because *SQLGetTypeInfo()* generates a result set it is essentially equivalent to executing a query. Like a query, calling *SQLGetTypeInfo()* generates a cursor and begins a transaction. To prepare and execute another statement on this statement handle, the cursor must be closed.

If you call *SQLGetTypeInfo()* with an invalid value in the *fSqlType* argument, an empty result set is returned.

Table 167 on page 303 describes each column in the result set that this function generates.

Although new columns might be added and the names of the existing columns might be changed in future releases, the position of the current columns does not change. The data types that are returned are those that can be used in a CREATE TABLE or ALTER TABLE, statement. Nonpersistent data types such as the locator data types are not part of the returned result set. User-defined data types are not returned either.

Table 167. Columns returned by *SQLGetTypeInfo()*

Position	Column name	Data type	Description
1	TYPE_NAME	VARCHAR(128) NOT NULL	Contains a character representation of the SQL Data Definition Language data type name. For example, VARCHAR, BLOB, DATE, INTEGER.
2	DATA_TYPE	SMALLINT NOT NULL	Contains the SQL data type definition values. For example, SQL_VARCHAR, SQL_BLOB, SQL_TYPE_DATE, SQL_INTEGER.
3	COLUMN_SIZE	INTEGER	<p>If the data type is a character or binary string, this column contains the maximum length in bytes. If this data type is a graphic (DBCS) string, this column contains the number of double-byte characters for the column. If the data type is XML, zero is returned.</p> <p>For date, time, timestamp data types, this is the total number of characters required to display the value when converted to characters.</p> <p>For numeric data types, this column contains the total number of digits.</p>
4	LITERAL_PREFIX	VARCHAR(128)	Contains the character that Db2 recognizes as a prefix for a literal of this data type. This column is null for data types where a literal prefix is not applicable.
5	LITERAL_SUFFIX	VARCHAR(128)	Contains the character that Db2 recognizes as a suffix for a literal of this data type. This column is null for data types where a literal suffix is not applicable.

Table 167. Columns returned by `SQLGetTypeInfo()` (continued)

Position	Column name	Data type	Description
6	CREATE_PARAMS	VARCHAR(128)	<p>Contains a list of values, that are separated by commas. These values correspond to each parameter that you can specify for a data type in a CREATE TABLE or an ALTER TABLE SQL statement. One or more of the following values appear in this result-set column:</p> <ul style="list-style-type: none"> • LENGTH, which indicates you can specify a length for the data type in the TYPE_NAME column • PRECISION, which indicates you can specify the precision for the data type in the TYPE_NAME column • SCALE, which indicates you can specify a scale for the data type in the TYPE_NAME column • A null indicator, which indicates you cannot specify any parameters for the data type in the TYPE_NAME column <p>Usage: The CREATE_PARAMS column enables you to customize the interface of Data Definition Language builders in your applications. A <i>Data Definition Language builder</i> is a piece of your application that creates database objects, such as tables. Use the CREATE_PARAMS to determine the number of arguments that are required to define a data type, then use localized text to label the controls on the Data Definition Language builder.</p>
7	NULLABLE	SMALLINT NOT NULL	<p>Indicates whether the data type accepts a null value. This column contains one of the following values:</p> <ul style="list-style-type: none"> • SQL_NO_NULLS, which indicates that null values are disallowed • SQL_NULLABLE, which indicates that null values are allowed
8	CASE_SENSITIVE	SMALLINT NOT NULL	<p>Indicates whether the data type can be treated as case sensitive for collation purposes. This column contains one of the following values:</p> <ul style="list-style-type: none"> • SQL_TRUE, which indicates case sensitivity • SQL_FALSE, which indicates no case sensitivity

Table 167. Columns returned by `SQLGetTypeInfo()` (continued)

Position	Column name	Data type	Description
9	SEARCHABLE	SMALLINT NOT NULL	<p>Indicates how the data type is used in a WHERE clause. This column contains one of the following values:</p> <ul style="list-style-type: none"> • <code>SQL_UNSEARCHABLE</code>, which indicates that you cannot use the data type in a WHERE clause • <code>SQL_LIKE_ONLY</code>, which indicates that you can use the data type in a WHERE clause, but only with the LIKE predicate. • <code>SQL_ALL_EXCEPT_LIKE</code>, which indicates that you can use the data type in a WHERE clause with all comparison operators except LIKE. • <code>SQL_SEARCHABLE</code>, which indicates that you can use the data type in a WHERE clause with any comparison operator.
10	UNSIGNED_ATTRIBUTE	SMALLINT	<p>Indicates whether the data type is unsigned. This column contains one of the following values:</p> <ul style="list-style-type: none"> • <code>SQL_TRUE</code>, which indicates that the data type is unsigned • <code>SQL_FALSE</code>, which indicates the data type is signed • <code>NULL</code>, which indicates this attribute does not apply to the data type
11	FIXED_PREC_SCALE	SMALLINT NOT NULL	<p>Contains the value <code>SQL_TRUE</code> if the data type is exact numeric and always has the same precision and scale; otherwise, it contains <code>SQL_FALSE</code>.</p>
12	AUTO_INCREMENT	SMALLINT	<p>Contains <code>SQL_TRUE</code> if a column of this data type is automatically set to a unique value when a row is inserted; otherwise, contains <code>SQL_FALSE</code>.</p>
13	LOCAL_TYPE_NAME	VARCHAR(128)	<p>Contains any localized (native language) name for the data type that is different from the regular name of the data type. If there is no localized name, this column contains a null indicator.</p> <p>This column is intended for display only. The character set of the string is locale-dependent and is typically the default character set of the database.</p>
14	MINIMUM_SCALE	SMALLINT	<p>Contains the minimum scale of the SQL data type. If a data type has a fixed scale, the <code>MINIMUM_SCALE</code> and <code>MAXIMUM_SCALE</code> columns both contain the same value. <code>NULL</code> is returned where scale is not applicable.</p>

Table 167. Columns returned by `SQLGetTypeInfo()` (continued)

Position	Column name	Data type	Description
15	MAXIMUM_SCALE	SMALLINT	Contains the maximum scale of the SQL data type. NULL is returned where scale is not applicable. If the maximum scale is not defined separately in the database management system, but is defined instead to be the same as the maximum length of the column, then this column contains the same value as the COLUMN_SIZE column.

Return codes

After you call `SQLGetTypeInfo()`, it returns one of the following values:

- SQL_SUCCESS
- SQL_ERROR
- SQL_INVALID_HANDLE

Diagnostics

The following table lists each SQLSTATE that this function generates, with a description and explanation for each value.

Table 168. `SQLGetTypeInfo()` SQLSTATEs

SQLSTATE	Description	Explanation
08S01	Communication link failure.	The communication link between the application and data source fails before the function completes.
24000	Invalid cursor state.	A cursor is open on the statement handle.
HY001	Memory allocation failure.	Db2 ODBC is not able to allocate the required memory to support the execution or the completion of the function.
HY004	Invalid SQL data type.	An invalid value for the <i>fSqlType</i> argument is specified.
HY010	Function sequence error.	The function is called during a data-at-execute operation. (That is, the function is called during a procedure that uses the <code>SQLParamData()</code> or <code>SQLPutData()</code> functions.)

Restrictions

The following ODBC specified SQL data types (and their corresponding *fSqlType* define values) are not supported by any IBM relational database management system:

Data type

fSqlType

TINYINT

SQL_TINYINT

BIT

SQL_BIT

Example

The following example shows an application that uses `SQLGetTypeInfo()` to check which ODBC data types the database management system supports.

```
/*
/*****
/* Invoke SQLGetTypeInfo to retrieve SQL data types supported.
/*****
#include <stdio.h>
#include <string.h>
#include <stdlib.h>
#include <sqlca.h>
#include "sqlcli1.h"
/*****
/* Invoke SQLGetTypeInfo to retrieve all SQL data types supported
/* by data source.
/*****
int main( )
{
    SQLHENV      hEnv      = SQL_NULL_HENV;
    SQLHDBC      hDbc      = SQL_NULL_HDBC;
    SQLHSTMT     hStmt     = SQL_NULL_HSTMT;
    SQLRETURN    rc        = SQL_SUCCESS;
    SQLINTEGER   RETCODE   = 0;
    (void) printf ("**** Entering CLIP06.\n\n");
/*****
/* Allocate environment handle
/*****
    RETCODE = SQLAllocHandle(SQL_HANDLE_ENV, SQL_NULL_HANDLE, &hEnv);
    if (RETCODE != SQL_SUCCESS)
        goto dberror;
/*****
/* Allocate connection handle to DSN
/*****
    RETCODE = SQLAllocHandle(SQL_HANDLE_DBC, hEnv, &hDbc);
    if( RETCODE != SQL_SUCCESS ) // Could not get a Connect Handle
        goto dberror;
/*****
/* CONNECT TO data source (STLEC1)
/*****
    RETCODE = SQLConnect(hDbc, // Connect handle
                        (SQLCHAR *) "STLEC1", // DSN
                        SQL_NTS, // DSN is nul-terminated
                        NULL, // Null UID
                        0,
                        NULL, // Null Auth string
                        0);
    if( RETCODE != SQL_SUCCESS ) // Connect failed
        goto dberror;
/*****
/* Retrieve SQL data types from DSN
/*****
// local variables to Bind to retrieve TYPE_NAME, DATA_TYPE,
// COLUMN_SIZE and NULLABLE
struct // TYPE_NAME is VARCHAR(128)
{
    SQLSMALLINT length;
    SQLCHAR name [128];
    SQLINTEGER ind;
} typename;
SQLSMALLINT data_type; // DATA_TYPE is SMALLINT
SQLINTEGER data_type_ind;
SQLINTEGER column_size; // COLUMN_SIZE is integer
SQLINTEGER column_size_ind;
SQLSMALLINT nullable; // NULLABLE is SMALLINT
SQLINTEGER nullable_ind;
/*****
/* Allocate statement handle
/*****
    rc = SQLAllocHandle(SQL_HANDLE_STMT, hDbc, &hStmt);
    if (rc != SQL_SUCCESS)
        goto exit;
/*****
/*
/* Retrieve native SQL types from DSN ----->
/*
/*
/* The result set consists of 15 columns. We only bind
/* TYPE_NAME, DATA_TYPE, COLUMN_SIZE and NULLABLE. Note: Need
/* not bind all columns of result set -- only those required.
/*
*/
```

```

/*****
rc = SQLGetTypeInfo (hStmt,
                    SQL_ALL_TYPES);
if (rc != SQL_SUCCESS)
    goto exit;
rc = SQLBindCol (hStmt,          // bind TYPE_NAME
                1,
                SQL_CHAR,
                (SQLPOINTER) typename.name,
                128,
                &typename.ind);
if (rc != SQL_SUCCESS)
    goto exit;
rc = SQLBindCol (hStmt,          // bind DATA_NAME
                2,
                SQL_C_DEFAULT,
                (SQLPOINTER) &data_type,
                sizeof(data_type),
                &data_type_ind);
if (rc != SQL_SUCCESS)
    goto exit;rc = SQLBindCol (hStmt,          // bind COLUMN_SIZE
                3,
                SQL_C_DEFAULT,
                (SQLPOINTER) &column_size,
                sizeof(column_size),
                &column_size_ind);
if (rc != SQL_SUCCESS)
    goto exit;
rc = SQLBindCol (hStmt,          // bind NULLABLE
                7,
                SQL_C_DEFAULT,
                (SQLPOINTER) &nullable,
                sizeof(nullable),
                &nullable_ind);
if (rc != SQL_SUCCESS)
    goto exit;
/*****
/* Fetch all native DSN SQL Types and print Type Name, Type,      */
/* Precision and nullability.                                     */
/*****
while ((rc = SQLFetch (hStmt)) == SQL_SUCCESS)
{
    (void) printf ("**** Type Name is %s. Type is %d. Precision is %d.",
                  typename.name,
                  data_type,
                  column_size);
    if (nullable == SQL_NULLABLE)
        (void) printf (" Type is nullable.\n");
    else
        (void) printf (" Type is not nullable.\n");
}
if (rc == SQL_NO_DATA_FOUND) // if result set exhausted reset
    rc = SQL_SUCCESS;        // rc to OK
/*****
/* Free statement handle                                         */
/*****
rc = SQLFreeHandle(SQL_HANDLE_STMT, hStmt);
if (RETCODE != SQL_SUCCESS) // An advertised API failed
    goto dberror;
/*****
/* DISCONNECT from data source                                   */
/*****
RETCODE = SQLDisconnect(hDbc);
if (RETCODE != SQL_SUCCESS)
    goto dberror;
/*****
/* Deallocate connection handle                                  */
/*****
RETCODE = SQLFreeHandle(SQL_HANDLE_DBC, hDbc);
if (RETCODE != SQL_SUCCESS)
    goto dberror;
/*****
/* Free environment handle                                       */
/*****
RETCODE = SQLFreeHandle(SQL_HANDLE_ENV, hEnv);
if (RETCODE == SQL_SUCCESS)
    goto exit;
dberror:
RETCODE=12;
exit:
(void) printf ("**** Exiting CLIP06.\n\n");

```

```

return(RETCODE);
}

```

Figure 24. An application that checks data types that the current server supports

Related reference

[SQLColAttribute\(\)](#) - Get column attributes

[SQLColAttribute\(\)](#) returns descriptor information about a column in a result set. Descriptor information is returned as a character string, a 32-bit descriptor-dependent value, or an integer value.

[SQLExtendedFetch\(\)](#) - Fetch an array of rows

[SQLExtendedFetch\(\)](#) extends the function of [SQLFetch\(\)](#) by returning a *row set* array for each bound column. The value the `SQL_ATTR_ROWSET_SIZE` statement attribute determines the size of the row set that [SQLExtendedFetch\(\)](#) returns.

[SQLGetInfo\(\)](#) - Get general information

[SQLGetInfo\(\)](#) returns general information about the database management systems to which the application is currently connected. For example, [SQLGetInfo\(\)](#) indicates which data conversions are supported.

Function return codes

Every ODBC function returns a return code that indicates whether the function invocation succeeded or failed.

SQLMoreResults() - Check for more result sets

[SQLMoreResults\(\)](#) returns more information about a statement handle. The information can be associated with an array of input parameter values for a query, or a stored procedure that returns results sets.

ODBC specifications for SQLMoreResults()

ODBC specification level	In X/Open CLI CAE specification?	In ISO CLI specification?
1.0	No	No

Syntax

```
SQLRETURN SQLMoreResults (SQLHSTMT hstmt);
```

Function arguments

The following table lists the data type, use, and description for each argument in this function.

Table 170. [SQLMoreResults\(\)](#) arguments

Data type	Argument	Use	Description
SQLHSTMT	<i>hstmt</i>	input	Specifies the statement handle on which results are returned.

Usage

Use this function to return a sequence of result sets after you execute one of the following actions:

- A parameterized query with an array of input parameter values that [SQLSetStmtAttr\(\)](#) and [SQLBindParameter\(\)](#) specify

- A stored procedure that contains SQL queries that leaves open cursors on the result sets that it generates (result sets are accessible when a stored procedure has finished execution if cursors on these result sets remain open)

After you completely process a result set, call `SQLMoreResults()` to determine if another result set is available. When you call `SQLMoreResults()`, this function discards rows that were not fetched in the current result set by closing the cursor. If another result set is available `SQLMoreResults()` returns `SQL_SUCCESS`.

If all the result sets have been processed, `SQLMoreResults()` returns `SQL_NO_DATA_FOUND`.

If you call `SQLFreeStmt()` with the *fOption* argument set to `SQL_CLOSE` or you call `SQLFreeHandle()` is called with the *HandleType* argument set to `SQL_HANDLE_STMT`, these functions discard all pending result sets for the statement handle on which they are called.

Return codes

After you call `SQLMoreResults()`, it returns one of the following values:

- `SQL_SUCCESS`
- `SQL_SUCCESS_WITH_INFO`
- `SQL_ERROR`
- `SQL_INVALID_HANDLE`
- `SQL_NO_DATA_FOUND`

Diagnostics

The following table lists each `SQLSTATE` that this function generates, with a description and explanation for each value.

Table 171. `SQLMoreResults()` `SQLSTATEs`

SQLSTATE	Description	Explanation
08S01	Communication link failure.	The communication link between the application and data source fails before the function completes.
58004	Unexpected system failure.	Unrecoverable system error.
HY001	Memory allocation failure.	Db2 ODBC is not able to allocate the required memory to support the execution or the completion of the function.
HY010	Function sequence error.	The function is called during a data-at-execute operation. (That is, the function is called during a procedure that uses the <code>SQLParamData()</code> or <code>SQLPutData()</code> functions.)
HY013	Unexpected memory handling error.	Db2 ODBC is not able to access the memory that is required to support execution or completion of the function.

Additionally, `SQLMoreResults()` can return all `SQLSTATEs` that are associated with `SQLExecDirect()` except for **HY009**, **HY014**, and **HY090**.

Restrictions

The ODBC specification of `SQLMoreResults()` allows row-counts that are associated with the execution of parameterized `INSERT`, `UPDATE`, and `DELETE` statements with arrays of input parameter values to be returned. However, Db2 ODBC does not support the return of this count information.

Example

The following example shows an application that uses `SQLMoreResults()` to check for additional result sets.

```
/* ... */
#define NUM_CUSTOMERS 25
SQLCHAR      stmt[] =
{ "WITH " /* Common Table expression (or Define Inline View) */
  "order (ord_num, cust_num, prod_num, quantity, amount) AS "
  "("
  "SELECT c.ord_num, c.cust_num, l.prod_num, l.quantity, "
  "       price(char(p.price, '.'), p.units, char(l.quantity, '.')) "
  "FROM ord_cust c, ord_line l, product p "
  "WHERE c.ord_num = l.ord_num AND l.prod_num = p.prod_num "
  "AND cust_num = CNUM(cast (? as integer)) "
  ")", "
  "totals (ord_num, total) AS "
  "("
  "SELECT ord_num, sum(decimal(amount, 10, 2)) "
  "FROM order GROUP BY ord_num "
  ")", "
/* The 'actual' SELECT from the inline view */
"SELECT order.ord_num, cust_num, prod_num, quantity, "
       "DECIMAL(amount,10,2) amount, total "
"FROM order, totals "
"WHERE order.ord_num = totals.ord_num "
};
/* Array of customers to get list of all orders for */
SQLINTEGER   Cust[]=
{
  10, 20, 30, 40, 50, 60, 70, 80, 90, 100,
  110, 120, 130, 140, 150, 160, 170, 180, 190, 200,
  210, 220, 230, 240, 250
};
#define NUM_CUSTOMERS sizeof(Cust)/sizeof(SQLINTEGER)
/* Row-wise (Includes buffer for both column data and length) */
struct {
  SQLINTEGER   Ord_Num_L;
  SQLINTEGER   Ord_Num;
  SQLINTEGER   Cust_Num_L;
  SQLINTEGER   Cust_Num;
  SQLINTEGER   Prod_Num_L;
  SQLINTEGER   Prod_Num;
  SQLINTEGER   Quant_L;
  SQLDOUBLE    Quant;
  SQLINTEGER   Amount_L;
  SQLDOUBLE    Amount;
  SQLINTEGER   Total_L;
  SQLDOUBLE    Total;
} Ord[ROWSET_SIZE];
SQLINTEGER   pirow = 0;
SQLINTEGER   pcrow;
SQLINTEGER   i;
SQLINTEGER   j;
/* ... */
/* Get details and total for each order row-wise */
rc = SQLAllocHandle(SQL_HANDLE_STMT, hdbc, &hstmt);
rc = SQLParamOptions(hstmt, NUM_CUSTOMERS, &pirow);
rc = SQLBindParameter(hstmt, 1, SQL_PARAM_INPUT, SQL_C_LONG, SQL_INTEGER,
                      0, 0, Cust, 0, NULL);
rc = SQLExecDirect(hstmt, stmt, SQL_NTS);
/* SQL_ROWSET_SIZE sets the max number of result rows to fetch each time */
rc = SQLSetStmtAttr(hstmt, SQL_ATTR_ROWSET_SIZE, ROWSET_SIZE, 0);
/* Set size of one row, used for row-wise binding only */
rc = SQLSetStmtAttr(hstmt, SQL_ATTR_BIND_TYPE, (void*)sizeof(Ord)/ROW_SIZE, 0);
/* Bind column 1 to the Ord_num field of the first row in the array*/
rc = SQLBindCol(hstmt, 1, SQL_C_LONG, (SQLPOINTER) &Ord[0].Ord_Num, 0,
                &Ord[0].Ord_Num_L);
/* Bind remaining columns ... */
/* ... */
/* NOTE: This sample assumes that an order never has more
rows than ROWSET_SIZE. A check should be added below to call
SQLExtendedFetch multiple times for each result set.
*/
do /* for each result set ... */
{ rc = SQLExtendedFetch(hstmt, SQL_FETCH_NEXT, 0, &pcrow, NULL);
  if (pcrow > 0) /* if 1 or more rows in the result set */
  {
    i = j = 0;
```

```

printf("*****\n");
printf("Orders for Customer: %ld\n", Ord[0].Cust_Num);
printf("*****\n");
while (i < pcrow)
{
    printf("\nOrder #: %ld\n", Ord[i].Ord_Num);
    printf("      Product  Quantity      Price\n");
    printf("      -----\n");
    j = i;
    while (Ord[j].Ord_Num == Ord[i].Ord_Num)
    {
        printf("      %8ld %16.7lf %12.2lf\n",
            Ord[i].Prod_Num, Ord[i].Quant, Ord[i].Amount);
        i++;
    }
    printf("      =====\n");
    printf("      %12.2lf\n", Ord[j].Total);
} /* end while */
} /* end if */
}
while (SQLMoreResults(hstmt) == SQL_SUCCESS);
/* ... */

```

Figure 25. An application that checks for additional result sets

Related concepts

Using arrays to pass parameter values

Db2 ODBC provides an array input method for updating Db2 tables.

[Result sets from stored procedures in ODBC applications](#)

In Db2 ODBC applications, you use open cursors to retrieve result sets from stored procedure calls.

Related reference

[SQLBindParameter\(\)](#) - Bind a parameter marker to a buffer or LOB locator

[SQLBindParameter\(\)](#) binds parameter markers to application variables and extends the capability of the [SQLSetParam\(\)](#) function.

[SQLCloseCursor\(\)](#) - Close a cursor and discard pending results

[SQLCloseCursor\(\)](#) closes a cursor that has been opened on a statement and discards pending results.

[SQLExecDirect\(\)](#) - Execute a statement directly

[SQLExecDirect\(\)](#) prepares and executes an SQL statement in one step.

[Function return codes](#)

Every ODBC function returns a return code that indicates whether the function invocation succeeded or failed.

[SQLSetStmtAttr\(\)](#) - Set statement attributes

[SQLSetStmtAttr\(\)](#) sets attributes that are related to a statement. To set an attribute for all statements that are associated with a specific connection, an application can call [SQLSetConnectAttr\(\)](#).

SQLNativeSql() - Get native SQL text

[SQLNativeSql\(\)](#) indicates how Db2 ODBC interprets vendor escape clauses. If the original SQL string that the application passes contains vendor escape clause sequences, Db2 ODBC passes a transformed SQL string to the data source. The SQL string is passed with vendor escape clauses that are either converted or discarded.

ODBC specifications for SQLNativeSql()

ODBC specification level	In X/Open CLI CAE specification?	In ISO CLI specification?
1.0	No	No

Syntax

```
SQLRETURN SQLNativeSql (SQLHDBC FAR hdbc,
                        SQLCHAR FAR *szSqlStrIn,
                        SQLINTEGER FAR cbSqlStrIn,
                        SQLCHAR FAR *szSqlStr,
                        SQLINTEGER FAR cbSqlStrMax,
                        SQLINTEGER FAR pcbSqlStr);
```

Function arguments

The following table lists the data type, use, and description for each argument in this function.

Table 173. *SQLNativeSql()* arguments

Data type	Argument	Use	Description
SQLHDBC	<i>hdbc</i>	input	Specifies the connection handle.
SQLCHAR *	<i>szSqlStrIn</i>	input	Points to a buffer that contains the input SQL string.
SQLINTEGER	<i>cbSqlStrIn</i>	input	Specifies the length, in bytes, of the buffer to which the <i>szSqlStrIn</i> argument points.
SQLCHAR *	<i>szSqlStr</i>	output	Points to buffer that returns the transformed output string.
SQLINTEGER	<i>cbSqlStrMax</i>	input	Specifies the size of the buffer to which the <i>szSqlStr</i> argument points.
SQLINTEGER *	<i>pcbSqlStr</i>	output	Points to a buffer that returns the total number of bytes (excluding the nul-terminator) that the complete output string requires. If this string requires a number of bytes that is greater than or equal to the value in the <i>cbSqlStrMax</i> argument, the output string is truncated to <i>cbSqlStrMax - 1</i> bytes.

Usage

Call this function when you want to examine or display a transformed SQL string that is passed to the data source by Db2 ODBC. Translation (mapping) only occurs if the input SQL statement string contains vendor escape clause sequences.

Db2 ODBC can only detect vendor escape clause syntax errors; because Db2 ODBC does not pass the transformed SQL string to the data source for preparation, syntax errors that are detected by the database management system are not generated for the input SQL string at this time. (The statement is not passed to the data source for preparation because the preparation can potentially cause the initiation of a transaction.)

Return codes

After you call *SQLNativeSql()*, it returns one of the following values:

- SQL_SUCCESS
- SQL_SUCCESS_WITH_INFO
- SQL_ERROR
- SQL_INVALID_HANDLE

Diagnostics

The following table lists each SQLSTATE that this function generates, with a description and explanation for each value.

Table 174. *SQLNativeSql()* SQLSTATES

SQLSTATE	Description	Explanation
01004	Data truncated.	The output string is truncated because the buffer to which the <i>szSqlStr</i> argument points is not large enough to contain the entire SQL string. The argument <i>pcbSqlStr</i> contains the total length, in bytes, of the untruncated SQL string. (<i>SQLNativeSql()</i> returns <i>SQL_SUCCESS_WITH_INFO</i> for this SQLSTATE.)
08003	Connection is closed.	The <i>hdbc</i> argument does not reference an open database connection.
37000	Invalid SQL syntax.	The input SQL string that the <i>szSqlStrIn</i> argument specifies contains a syntax error in the escape sequence.
HY001	Memory allocation failure.	Db2 ODBC is not able to allocate the required memory to support the execution or the completion of the function.
HY009	Invalid use of a null pointer.	This SQLSTATE is returned for one or more of the following reasons: <ul style="list-style-type: none"> • The argument <i>szSqlStrIn</i> is a null pointer. • The argument <i>szSqlStr</i> is a null pointer.
HY090	Invalid string or buffer length.	This SQLSTATE is returned for one or more of the following reasons: <ul style="list-style-type: none"> • The argument <i>cbSqlStrIn</i> specifies a value that is less than 0 and not equal to <i>SQL_NTS</i>. • The argument <i>cbSqlStrMax</i> specifies a value that is less than 0.

Example

The following example shows an application that uses *SQLNativeSql()* to print the final version of an SQL statement that contains vendor escape clauses.

```

/* ... */
SQLCHAR      in_stmt[1024];
SQLCHAR      out_stmt[1024];
SQLSMALLINT  pcPar;
SQLINTEGER   indicator;
/* ... */
/* Prompt for a statement to prepare */
printf("Enter an SQL statement: \n");
gets(in_stmt);
/* prepare the statement */
rc = SQLPrepare(hstmt, in_stmt, SQL_NTS);
SQLNumParams(hstmt, &pcPar);
SQLNativeSql(hstmt, in_stmt, SQL_NTS, out_stmt, 1024, &indicator);
if (indicator == SQL_NULL_DATA)
{ printf("Invalid statement\n"); }
else
{ printf(" Input Statement: \n %s \n", in_stmt);
  printf("Output Statement: \n %s \n", out_stmt);
  printf("Number of Parameter Markers = %ld\n", pcPar);
}
rc = SQLFreeHandle(SQL_HANDLE_STMT, hstmt);
/* ... */

```

Figure 26. An application that prints a translated vendor escape clause

Related concepts

[Vendor escape clauses](#)

Vendor escape clauses increase the portability of your application if your application accesses multiple data sources from different vendors. However, if your application accesses only Db2 data sources, you have no reason to use vendor escape clauses.

Related reference

Function return codes

Every ODBC function returns a return code that indicates whether the function invocation succeeded or failed.

SQLNumParams () - Get number of parameters in an SQL statement

SQLNumParams () returns the number of parameter markers that are in an SQL statement.

ODBC specifications for SQLNumParams ()

Table 175. SQLNumParams () specifications		
ODBC specification level	In X/Open CLI CAE specification?	In ISO CLI specification?
1.0	No	No

Syntax

```
SQLRETURN SQLNumParams (SQLHSTMT hstmt,
                        SQLSMALLINT FAR *pcpar);
```

Function arguments

The following table lists the data type, use, and description for each argument in this function.

Table 176. SQLNumParams () arguments			
Data type	Argument	Use	Description
SQLHSTMT	<i>hstmt</i>	input	Specifies a statement handle.
SQLSMALLINT *	<i>pcpar</i>	output	Points to a buffer that returns the number of parameters in the statement.

Usage

You call this function to determine how many SQLBindParameter () calls are necessary for the SQL statement that is associated with a statement handle.

You can call this function only after you prepare the statement associated with the *hstmt* argument. If the statement does not contain any parameter markers, the buffer to which the *pcpar* argument points is set to 0.

Return codes

After you call SQLNumParams (), it returns one of the following values:

- SQL_SUCCESS
- SQL_ERROR
- SQL_INVALID_HANDLE

Diagnostics

The following table lists each SQLSTATE that this function generates, with a description and explanation for each value.

Table 177. `SQLNumParams()` SQLSTATES

SQLSTATE	Description	Explanation
08S01	Communication link failure.	The communication link between the application and data source fails before the function completes.
HY001	Memory allocation failure.	Db2 ODBC is not able to allocate the required memory to support the execution or the completion of the function.
HY009	Invalid use of a null pointer.	The <i>pcpar</i> argument specifies a null pointer.
HY010	Function sequence error.	This SQLSTATE is returned for one or more of the following reasons: <ul style="list-style-type: none">• <code>SQLNumParams()</code> is called before <code>SQLPrepare()</code> for the statement to which the <i>hstmt</i> argument refers.• <code>SQLNumParams()</code> is called during a data-at-execute operation. (That is, the function is called during a procedure that uses the <code>SQLParamData()</code> or <code>SQLPutData()</code> functions.)
HY013	Unexpected memory handling error.	Db2 ODBC is not able to access the memory that is required to support execution or completion of the function.

Example

Refer to the function `SQLNativeSql()` for a related example on an application that prints a translated vendor escape clause.

Related reference

[SQLBindParameter\(\)](#) - Bind a parameter marker to a buffer or LOB locator

`SQLBindParameter()` binds parameter markers to application variables and extends the capability of the `SQLSetParam()` function.

[SQLNativeSql\(\)](#) - Get native SQL text

`SQLNativeSql()` indicates how Db2 ODBC interprets vendor escape clauses. If the original SQL string that the application passes contains vendor escape clause sequences, Db2 ODBC passes a transformed SQL string to the data source. The SQL string is passed with vendor escape clauses that are either converted or discarded.

[SQLPrepare\(\)](#) - Prepare a statement

`SQLPrepare()` associates an SQL statement with the input statement handle and sends the statement to the database management system where it is prepared. The application can reference this prepared statement by passing the statement handle to other functions.

Function return codes

Every ODBC function returns a return code that indicates whether the function invocation succeeded or failed.

SQLNumResultCols() - Get number of result columns

`SQLNumResultCols()` returns the number of columns in the result set that is associated with the input statement handle. `SQLPrepare()` or `SQLExecDirect()` must be called before you call

SQLNumResultCols(). After you call SQLNumResultCols(), you can call SQLColAttribute() or one of the bind column functions.

ODBC specifications for SQLNumResultCols()

Table 178. SQLNumResultCols() specifications		
ODBC specification level	In X/Open CLI CAE specification?	In ISO CLI specification?
1.0	Yes	Yes

Syntax

```
SQLRETURN SQLNumResultCols (SQLHSTMT hstmt,
                             SQLSMALLINT FAR *pccol);
```

Function arguments

The following table lists the data type, use, and description for each argument in this function.

Table 179. SQLNumResultCols() arguments

Data type	Argument	Use	Description
SQLHSTMT	<i>hstmt</i>	input	Specifies a statement handle.
SQLSMALLINT *	<i>pccol</i>	output	Points to a buffer that returns the number of columns in the result set.

Usage

You call this function to determine how many SQLBindCol() or SQLGetData() calls are necessary for the SQL result set that is associated with a statement handle.

The function sets the output argument to zero if the last statement or function executed on the input statement handle did not generate a result set.

Return codes

After you call SQLNumResultCols(), it returns one of the following values:

- SQL_SUCCESS
- SQL_ERROR
- SQL_INVALID_HANDLE

Diagnostics

The following table lists each SQLSTATE that this function generates, with a description and explanation for each value.

Table 180. SQLNumResultCols() SQLSTATES

SQLSTATE	Description	Explanation
08S01	Communication link failure.	The communication link between the application and data source fails before the function completes.
58004	Unexpected system failure.	Unrecoverable system error.

Table 180. *SQLNumResultCols()* SQLSTATEs (continued)

SQLSTATE	Description	Explanation
HY001	Memory allocation failure.	Db2 ODBC is not able to allocate the required memory to support the execution or the completion of the function.
HY009	Invalid use of a null pointer.	<i>pccol</i> is a null pointer.
HY010	Function sequence error.	This SQLSTATE is returned for one or more of the following reasons: <ul style="list-style-type: none"> The function is called prior to calling <code>SQLPrepare()</code> or <code>SQLExecDirect()</code> for the <i>hstmt</i>. The function is called during a data-at-execute operation. (That is, the function is called during a procedure that uses the <code>SQLParamData()</code> or <code>SQLPutData()</code> functions.)
HY013	Unexpected memory handling error.	Db2 ODBC is not able to access the memory that is required to support execution or completion of the function.

Example

Refer to the function `SQLDescribeCol()` for a related example.

Related reference

[SQLBindCol\(\)](#) - Bind a column to an application variable

`SQLBindCol()` binds a column to an application variable. You can call `SQLBindCol()` once for each column in a result set from which you want to retrieve data or LOB locators.

[SQLColAttribute\(\)](#) - Get column attributes

`SQLColAttribute()` returns descriptor information about a column in a result set. Descriptor information is returned as a character string, a 32-bit descriptor-dependent value, or an integer value.

[SQLDescribeCol\(\)](#) - Describe column attributes

`SQLDescribeCol()` returns commonly used descriptor information about a column in a result set that a query generates. Before you call this function, you must call either `SQLPrepare()` or `SQLExecDirect()`.

[SQLExecDirect\(\)](#) - Execute a statement directly

`SQLExecDirect()` prepares and executes an SQL statement in one step.

[SQLGetData\(\)](#) - Get data from a column

`SQLGetData()` retrieves data for a single column in the current row of the result set. You can also use `SQLGetData()` to retrieve large data values in pieces. After you call `SQLGetData()` for each column, call `SQLFetch()` or `SQLExtendedFetch()` for each row that you want to retrieve.

[SQLPrepare\(\)](#) - Prepare a statement

`SQLPrepare()` associates an SQL statement with the input statement handle and sends the statement to the database management system where it is prepared. The application can reference this prepared statement by passing the statement handle to other functions.

[Function return codes](#)

Every ODBC function returns a return code that indicates whether the function invocation succeeded or failed.

SQLParamData () - Get next parameter for which a data value is needed

SQLParamData () is used in conjunction with SQLPutData () to send long data in pieces. You can also use this function to send fixed-length data.

ODBC specifications for SQLParamData ()

Table 181. SQLParamData () specifications		
ODBC specification level	In X/Open CLI CAE specification?	In ISO CLI specification?
1.0	Yes	Yes

Syntax

```
SQLRETURN SQLParamData (SQLHSTMT FAR hstmt,
                        SQLPOINTER FAR *prgbValue);
```

Function arguments

The following table lists the data type, use, and description for each argument in this function.

Table 182. SQLParamData () arguments			
Data type	Argument	Use	Description
SQLHSTMT	<i>hstmt</i>	input	Specifies the statement handle.
SQLPOINTER *	<i>prgbValue</i>	output	Points to the buffer that the <i>prgbValue</i> argument in the SQLBindParameter () call indicates.

Usage

SQLParamData () returns SQL_NEED_DATA if there is at least one SQL_DATA_AT_EXEC parameter for which data is not assigned. This function returns an application provided value in *prgbValue*, which a previous SQLBindParameter () call supplies. When you send long data in pieces, you call SQLPutData () one or more times. After the SQLPutData () calls, you call SQLParamData () to signal all data for the current parameter is sent and to advance to the next SQL_DATA_AT_EXEC parameter.

SQLParamData () returns SQL_SUCCESS when all the parameters have been assigned data values and the associated statement has been executed successfully. If any errors occur during or before actual statement execution, SQLParamData () returns SQL_ERROR.

SQLParamData () returns SQL_NEED_DATA when you advance to the next SQL_DATA_AT_EXEC parameter. You can call only SQLPutData () or SQLCancel () at this point in the transaction; all other function calls that use the same statement handle that the *hstmt* argument specifies will fail. Additionally, all functions that reference the parent connection handle of the statement that the *hstmt* argument references fail if they change any attribute or state of that connection. Because functions that reference the parent connection handle fail, do not use the following functions on the parent connection handle during an SQL_NEED_DATA sequence:

- SQLAllocHandle ()
- SQLSetConnectAttr ()
- SQLNativeSql ()

- `SQLEndTran()`

These functions return `SQL_ERROR` with `SQLSTATE HY010` and the processing of the `SQL_DATA_AT_EXEC` parameters is not affected if these functions are called during an `SQL_NEED_DATA` sequence.

Return codes

After you call `SQLParamData()`, it returns one of the following values:

- `SQL_SUCCESS`
- `SQL_SUCCESS_WITH_INFO`
- `SQL_ERROR`
- `SQL_INVALID_HANDLE`
- `SQL_NEED_DATA`

Diagnostics

`SQLParamData()` can return any `SQLSTATE` that `SQLExecDirect()` and `SQLExecute()` generate. The following table lists the additional `SQLSTATES` that `SQLParamData()` can generate with a description and explanation for each value.

Table 183. `SQLParamData()` `SQLSTATES`

SQLSTATE	Description	Explanation
08S01	Communication link failure.	The communication link between the application and data source fails before the function completes.
40001	Transaction rollback.	The transaction to which this SQL statement belongs is rolled back due to a deadlock or timeout.
HY001	Memory allocation failure.	Db2 ODBC is not able to allocate the required memory to support the execution or the completion of the function.
HY010	Function sequence error.	This <code>SQLSTATE</code> is returned for one or more of the following reasons: <ul style="list-style-type: none"> • <code>SQLParamData()</code> is called out of sequence. This call is only valid after an <code>SQLExecDirect()</code> or an <code>SQLExecute()</code>, or after an <code>SQLPutData()</code> call. • <code>SQLParamData()</code> is called after an <code>SQLExecDirect()</code> or an <code>SQLExecute()</code> call, but no <code>SQL_DATA_AT_EXEC</code> parameters require processing.

Example

Refer to the function `SQLGetData()` for a related example.

Related reference

[SQLBindCol\(\)](#) - Bind a column to an application variable

`SQLBindCol()` binds a column to an application variable. You can call `SQLBindCol()` once for each column in a result set from which you want to retrieve data or LOB locators.

[SQLColAttribute\(\)](#) - Get column attributes

`SQLColAttribute()` returns descriptor information about a column in a result set. Descriptor information is returned as a character string, a 32-bit descriptor-dependent value, or an integer value.

[SQLDescribeCol\(\)](#) - Describe column attributes

SQLDescribeCol() returns commonly used descriptor information about a column in a result set that a query generates. Before you call this function, you must call either SQLPrepare() or SQLExecDirect().

SQLExecDirect() - Execute a statement directly

SQLExecDirect() prepares and executes an SQL statement in one step.

SQLGetData() - Get data from a column

SQLGetData() retrieves data for a single column in the current row of the result set. You can also use SQLGetData() to retrieve large data values in pieces. After you call SQLGetData() for each column, call SQLFetch() or SQLExtendedFetch() for each row that you want to retrieve.

SQLPrepare() - Prepare a statement

SQLPrepare() associates an SQL statement with the input statement handle and sends the statement to the database management system where it is prepared. The application can reference this prepared statement by passing the statement handle to other functions.

Function return codes

Every ODBC function returns a return code that indicates whether the function invocation succeeded or failed.

SQLParamOptions() - Specify an input array for a parameter

SQLParamOptions() is a deprecated function and is replaced by SQLSetStmtAttr().

ODBC specifications for SQLParamOptions()

Table 184. SQLParamOptions() specifications		
ODBC specification level	In X/Open CLI CAE specification?	In ISO CLI specification?
1.0 (Deprecated)	No	No

Syntax

```
SQLRETURN SQLParamOptions (SQLHSTMT hstmt,
                            SQLINTEGER crow,
                            SQLINTEGER FAR *pirow);
```

Function arguments

The following table lists the data type, use, and description for each argument in this function.

Table 185. SQLParamOptions() arguments			
Data type	Argument	Use	Description
SQLHSTMT	<i>hstmt</i>	input	Specifies a statement handle.
SQLINTEGER	<i>crow</i>	input	Specifies the number of values for each parameter. If this value is greater than 1, then the <i>rgbValue</i> argument in SQLBindParameter() points to an array of parameter values, and the <i>pcbValue</i> argument points to an array of lengths.
SQLINTEGER *	<i>pirow</i>	output (deferred)	Points to a buffer for the current parameter array index. As each set of parameter values is processed, this argument is set to the array index of that set. If a statement fails, this value can be used to determine how many statements were successfully processed. No value is returned if the <i>pirow</i> argument specifies a null pointer.

Usage

Use `SQLParamOptions()` to prepare a statement, and to execute that statement repeatedly for an array of parameter markers.

As a statement executes, the buffer to which the *pirow* argument points is set to the index of the current array of parameter values. If an error occurs during execution for a particular element in the array, execution halts and `SQLExecute()`, `SQLExecDirect()`, or `SQLParamData()` returns `SQL_ERROR`.

The output argument *pirow* points to a buffer that returns how many sets of parameters were successfully processed. If the statement that is processed is a query, *pirow* points to a buffer that returns the array index that is associated with the current result set, which returned by `SQLMoreResults()`. This value increments each time `SQLMoreResults()` is called.

Use the value in the buffer to which the *pirow* argument points for the following cases:

- When `SQLParamData()` returns `SQL_NEED_DATA`, use the value to determine which set of parameters need data.
- When `SQLExecute()` or `SQLExecDirect()` returns an error, use the value to determine which element in the parameter value array failed.
- When `SQLExecute()`, `SQLExecDirect()`, `SQLParamData()`, or `SQLPutData()` succeeds, the value is set to the value that the *crow* argument specifies to indicate that all elements of the array have been processed successfully.

If the statement to which `SQLParamOptions()` refers is a MERGE statement:

- Use `SQLParamOptions()` to set the number of rows in the source data to be merged into the target table or view.
- If a MERGE statement contains an UPDATE or INSERT clause with parameter markers, `SQLParamOptions()` has no effect on the parameter markers in the UPDATE or INSERT clause.
- The buffer to which *pirow* points contains the number of rows that are affected by the MERGE.

Return codes

After you call `SQLParamOptions()`, it returns one of the following values:

- `SQL_SUCCESS`
- `SQL_SUCCESS_WITH_INFO`
- `SQL_ERROR`
- `SQL_INVALID_HANDLE`

Diagnostics

The following table lists each `SQLSTATE` that this function generates, with a description and explanation for each value.

Table 186. `SQLParamOptions()` `SQLSTATE`s

SQLSTATE	Description	Explanation
08S01	Communication link failure.	The communication link between the application and data source fails before the function completes.
HY001	Memory allocation failure.	Db2 ODBC is not able to allocate the required memory to support the execution or the completion of the function.
HY010	Function sequence error.	The function is called during a data-at-execute operation. (That is, the function is called during a procedure that uses the <code>SQLParamData()</code> or <code>SQLPutData()</code> functions.)
HY107	Row value out of range.	The value in the <i>crow</i> argument is less than 1.

Example

In ODBC 3.0, the call to `SQLParamOptions()` is replaced with two calls to `SQLSetStmtAttr()`:

```
SQLSetStmtAttr(hstmt, SQL_ATTR_PARAMSET_SIZE, cRow, 0);
SQLSetStmtAttr(hstmt, SQL_ATTR_PARAMS_PROCESSED_PTR, piRow, 0);
```

Related concepts

[Using arrays to pass parameter values](#)

Db2 ODBC provides an array input method for updating Db2 tables.

Related reference

`SQLBindParameter()` - Bind a parameter marker to a buffer or LOB locator

`SQLBindParameter()` binds parameter markers to application variables and extends the capability of the `SQLSetParam()` function.

`SQLMoreResults()` - Check for more result sets

`SQLMoreResults()` returns more information about a statement handle. The information can be associated with an array of input parameter values for a query, or a stored procedure that returns results sets.

[Function return codes](#)

Every ODBC function returns a return code that indicates whether the function invocation succeeded or failed.

`SQLSetStmtAttr()` - Set statement attributes

`SQLSetStmtAttr()` sets attributes that are related to a statement. To set an attribute for all statements that are associated with a specific connection, an application can call `SQLSetConnectAttr()`.

SQLPrepare() - Prepare a statement

`SQLPrepare()` associates an SQL statement with the input statement handle and sends the statement to the database management system where it is prepared. The application can reference this prepared statement by passing the statement handle to other functions.

If the statement handle has been previously used with a query statement (or any function that returns a result set), `SQLCloseCursor()` must be called to close the cursor, before `SQLPrepare()` is called.

ODBC specifications for SQLPrepare()

ODBC specification level	In X/Open CLI CAE specification?	In ISO CLI specification?
1.0	Yes	Yes

Syntax

```
SQLRETURN SQLPrepare(  
    (SQLHSTMT  
    SQLCHAR FAR  
    SQLINTEGER  
    hstmt,  
    *szSqlStr,  
    cbSqlStr);
```

Function arguments

The following table lists the data type, use, and description for each argument in this function.

Table 188. *SQLPrepare()* arguments

Data type	Argument	Use	Description
SQLHSTMT	<i>hstmt</i>	input	Statement handle. There must not be an open cursor associated with <i>hstmt</i> .
SQLCHAR *	<i>szSqlStr</i>	input	SQL statement string.
SQLINTEGER	<i>cbSqlStr</i>	input	The length, in bytes, of the contents of the <i>szSqlStr</i> argument. This must be set to either the exact length of the SQL statement in <i>szSqlStr</i> , or to SQL_NTS if the statement text is nul-terminated.

Usage

If the SQL statement text contains vendor escape clause sequences, Db2 ODBC first modifies the SQL statement text to the appropriate Db2 specific format before submitting it to the database for preparation. If the application does not generate SQL statements that contain vendor escape clause sequences, then the SQL_NOSCAN statement attribute should be set to SQL_NOSCAN_ON at the statement level so that Db2 ODBC does not perform a scan for any vendor escape clauses.

When a statement is prepared using *SQLPrepare()*, the application can request information about the format of the result set (if the statement is a query) by calling:

- *SQLNumResultCols()*
- *SQLDescribeCol()*
- *SQLColAttribute()*

The SQL statement string can contain parameter markers and *SQLNumParams()* can be called to determine the number of parameter markers in the statement. A parameter marker is represented by a question mark character (?) that indicates a position in the statement where an application supplied value is to be substituted when *SQLExecute()* is called. The bind parameter functions, *SQLBindParameter()* is used to bind (associate) application values with each parameter marker and to indicate if any data conversion should be performed at the time the data is transferred.

All parameters must be bound before calling *SQLExecute()*.

After the application processes the results from the *SQLExecute()* call, it can execute the statement again with new (or the same) parameter values.

The SQL statement cannot be a COMMIT or ROLLBACK. *SQLEndTran()* must be called to issue COMMIT or ROLLBACK. For more information about SQL statements, that Db2 for z/OS supports, see the topic *Differences between Db2 ODBC and embedded SQL*.

If the SQL statement is a positioned DELETE or a positioned UPDATE, the cursor referenced by the statement must be defined on a separate statement handle under the same connection handle and same isolation level.

If the statement that is being prepared is a MERGE statement, the statement text cannot include the FOR *n* ROWS clause. To specify the number of rows to be merged, use the *SQLSetStmtAttr()* function.

Return codes

After you call *SQLPrepare()*, it returns one of the following values:

- SQL_SUCCESS
- SQL_SUCCESS_WITH_INFO
- SQL_ERROR
- SQL_INVALID_HANDLE

Diagnostics

The following table lists each SQLSTATE that this function generates, with a description and explanation for each value.

Table 189. *SQLPrepare()* SQLSTATES

SQLSTATE	Description	Explanation
01504	The UPDATE or DELETE statement does not include a WHERE clause.	<i>szSqlStr</i> contains an UPDATE or DELETE statement which did not contain a WHERE clause.
08S01	Communication link failure.	The communication link between the application and data source fails before the function completes.
21S01	Insert value list does not match column list.	<i>szSqlStr</i> contains an INSERT or MERGE statement and the number of values to be inserted did not match the degree of the derived table.
21S02	Degrees of derived table does not match column list.	<i>szSqlStr</i> contains a CREATE VIEW statement and the number of names specified is not the same degree as the derived table defined by the query specification.
24000	Invalid cursor state.	A cursor is already opened on the statement handle.
34000	Invalid cursor name.	<i>szSqlStr</i> contains a positioned DELETE or a positioned UPDATE and the cursor referenced by the statement being executed is not open.
37xxx ¹	Invalid SQL syntax.	<i>szSqlStr</i> contains one or more of the following: <ul style="list-style-type: none"> • A COMMIT • A ROLLBACK • An SQL statement that the connected database server cannot prepare • A statement containing a syntax error
40001	Transaction rollback.	The transaction to which this SQL statement belongs is rolled back due to deadlock or timeout.
42xxx ¹	Syntax error or access rule violation	These SQLSTATES indicate one of the following errors: <ul style="list-style-type: none"> • For 425xx, the authorization ID does not have permission to execute the SQL statement that the <i>szSqlStr</i> argument contains. • For 42xxx, a variety of syntax or access problems with the statement occur.
42S01	Database object already exists.	<i>szSqlStr</i> contains a CREATE TABLE or CREATE VIEW statement and the table name or view name specified already exists.
42S02	Database object does not exist.	<i>szSqlStr</i> contains an SQL statement that references a table name or a view name that does not exist.
42S11	Index already exists.	<i>szSqlStr</i> contains a CREATE INDEX statement and the specified index name already exists.
42S12	Index not found.	<i>szSqlStr</i> contains a DROP INDEX statement and the specified index name does not exist.

Table 189. SQLPrepare() SQLSTATEs (continued)

SQLSTATE	Description	Explanation
42S21	Column already exists.	<i>szSqlStr</i> contains an ALTER TABLE statement and the column specified in the ADD clause is not unique or identifies an existing column in the base table.
42S22	Column not found.	<i>szSqlStr</i> contains an SQL statement that references a column name that does not exist.
58004	Unexpected system failure.	Unrecoverable system error.
HY001	Memory allocation failure.	Db2 ODBC is not able to allocate the required memory to support the execution or the completion of the function.
HY009	Invalid use of a null pointer.	<i>szSqlStr</i> is a null pointer.
HY010	Function sequence error.	The function is called during a data-at-execute operation. (That is, the function is called during a procedure that uses the SQLParamData() or SQLPutData() functions.)
HY013	Unexpected memory handling error.	Db2 ODBC is not able to access the memory that is required to support execution or completion of the function.
HY014	No more handles.	Db2 ODBC is not able to allocate a handle due to low internal resources.
HY090	Invalid string or buffer length.	The argument <i>cbSqlStr</i> is less than 1, but not equal to SQL_NTS.

Note:

1. xxx refers to any SQLSTATE with that class code. For example, **37**xxx refers to any SQLSTATE with a class code of '37'.

Not all database management systems report all of the above diagnostic messages at prepare time. Therefore, an application must also be able to handle these conditions when calling SQLExecute().

Restrictions

If the statement that is being prepared is a MERGE statement, the statement text cannot include the FOR n ROWS clause. To specify the number of rows to be merged, use the SQLSetStmtAttr() function with the SQL_ATTR_PARAMSET_SIZE statement attribute.

Example

The following example shows an application that uses SQLPrepare() to prepare an SQL statement. This same SQL statement is then executed twice, each time with different parameter values.

```

/*****
/* Prepare a query and execute that query twice          */
/* specifying a unique value for the parameter marker.    */
*****/
#include <stdio.h>
#include <string.h>
#include <stdlib.h>
#include <sqlca.h>
#include "sqlcli1.h"
int main( )
{
    SQLHENV      hEnv      = SQL_NULL_HENV;
    SQLHDBC      hDbc      = SQL_NULL_HDBC;
    SQLHSTMT     hStmt     = SQL_NULL_HSTMT;
    SQLRETURN    rc        = SQL_SUCCESS;
    SQLINTEGER   RETCODE   = 0;
    char         *pDSN     = "STLEC1";

```

```

SWORD          cbCursor;
SDWORD         cbValue1;
SDWORD         cbValue2;
char           employee [30];
int            salary = 0;
int            param_salary = 30000;
char           *stmt = "SELECT NAME, SALARY FROM EMPLOYEE WHERE SALARY > ?";
(void) printf ("**** Entering CLIP07.\n\n");
/*****
*/
/* Allocate environment handle */
/*****
rc = SQLAllocHandle(SQL_HANDLE_ENV, SQL_NULL_HANDLE, &hEnv);
if (rc != SQL_SUCCESS)
    goto dberror;
/*****
/* Allocate connection handle to DSN */
/*****
rc = SQLAllocHandle(SQL_HANDLE_DBC, hEnv, &hDbc);
if (rc != SQL_SUCCESS) // Could not get a connect handle
    goto dberror;
/*****
/* CONNECT TO data source (STLEC1) */
/*****
rc = SQLConnect(hDbc, // Connect handle
                (SQLCHAR *) pDSN, // DSN
                SQL_NTS, // DSN is nul-terminated
                NULL, // Null UID
                0,
                NULL, // Null Auth string
                0);
if (rc != SQL_SUCCESS) // Connect failed
    goto dberror;
/*****
/* Allocate statement handles */
/*****
rc = SQLAllocHandle (SQL_HANDLE_STMT, hDbc, &hStmt);
if (rc != SQL_SUCCESS)
    goto dberror;
/*****
/* Prepare the query for multiple execution within current
/* transaction. Note that query is collapsed when transaction
/* is committed or rolled back. */
/*****
rc = SQLPrepare (hStmt,
                (SQLCHAR *) stmt,
                strlen(stmt));
if (rc != SQL_SUCCESS)
{
    (void) printf ("**** PREPARE OF QUERY FAILED.\n");
    goto dberror;
}
rc = SQLBindCol (hStmt, // bind employee name
                1,
                SQL_C_CHAR,
                employee,
                sizeof(employee),
                &cbValue1);
if (rc != SQL_SUCCESS)
{
    (void) printf ("**** BIND OF NAME FAILED.\n");
    goto dberror;
}
rc = SQLBindCol (hStmt, // bind employee salary
                2,
                SQL_C_LONG,
                &salary,
                0,
                &cbValue2);
if (rc != SQL_SUCCESS)
{
    (void) printf ("**** BIND OF SALARY FAILED.\n");
    goto dberror;
}
/*****
/* Bind parameter to replace '?' in query. This has an initial
/* value of 30000. */
/*****
rc = SQLBindParameter (hStmt,
                        1,
                        SQL_PARAM_INPUT,
                        SQL_C_LONG,
                        SQL_INTEGER,

```

```

        0,
        0,
        &param_salary,
        0,
        NULL);
/*****
/* Execute prepared statement to generate answer set. */
/*****
rc = SQLExecute (hStmt);
if (rc != SQL_SUCCESS)
{
    (void) printf ("**** EXECUTE OF QUERY FAILED.\n");
    goto dberror;
}
/*****
/* Answer set is available -- Fetch rows and print employees */
/* and salary. */
/*****
(void) printf ("**** Employees whose salary exceeds %d follow.\n\n",
              param_salary);
while ((rc = SQLFetch (hStmt)) == SQL_SUCCESS)
{
    (void) printf ("**** Employee Name %s with salary %d.\n",
                  employee,
                  salary);
}
/*****
/* Close query --- note that query is still prepared. Then change*/
/* bound parameter value to 100000. Then re-execute query. */
/*****
rc = SQLCloseCursor(hStmt);
param_salary = 100000;
rc = SQLExecute (hStmt);
if (rc != SQL_SUCCESS)
{
    (void) printf ("**** EXECUTE OF QUERY FAILED.\n");
    goto dberror;
}
/*****
/* Answer set is available -- Fetch rows and print employees */
/* and salary. */
/*****
(void) printf ("**** Employees whose salary exceeds %d follow.\n\n",
              param_salary);
while ((rc = SQLFetch (hStmt)) == SQL_SUCCESS)
{
    (void) printf ("**** Employee Name %s with salary %d.\n",
                  employee,
                  salary);
}
/*****
/* Deallocate statement handles -- statement is no longer in a */
/* prepared state. */
/*****
rc = SQLFreeHandle(SQL_HANDLE_STMT, hStmt);
/*****
/* DISCONNECT from data source */
/*****
rc = SQLDisconnect(hDbc);
if (rc != SQL_SUCCESS)
    goto dberror;
/*****
/* Deallocate connection handle */
/*****
rc = SQLFreeHandle(SQL_HANDLE_DBC, hDbc);
if (rc != SQL_SUCCESS)
    goto dberror;
/*****
/* Free environment handle */
/*****
rc = SQLFreeHandle(SQL_HANDLE_ENV, hEnv);
if (rc == SQL_SUCCESS)
    goto exit;
dberror:
RETCODE=12;
exit:
(void) printf ("**** Exiting CLIP07.\n\n");
return RETCODE;
}

```

Figure 27. An application that prepares an SQL statement before execution

Related concepts

Differences between Db2 ODBC and embedded SQL

Even though key differences exist between Db2 ODBC and embedded SQL, Db2 ODBC can execute any SQL statements that can be prepared dynamically in embedded SQL.

Vendor escape clauses

Vendor escape clauses increase the portability of your application if your application accesses multiple data sources from different vendors. However, if your application accesses only Db2 data sources, you have no reason to use vendor escape clauses.

Related reference

[SQLBindParameter\(\)](#) - Bind a parameter marker to a buffer or LOB locator

[SQLBindParameter\(\)](#) binds parameter markers to application variables and extends the capability of the [SQLSetParam\(\)](#) function.

[SQLColAttribute\(\)](#) - Get column attributes

[SQLColAttribute\(\)](#) returns descriptor information about a column in a result set. Descriptor information is returned as a character string, a 32-bit descriptor-dependent value, or an integer value.

[SQLDescribeCol\(\)](#) - Describe column attributes

[SQLDescribeCol\(\)](#) returns commonly used descriptor information about a column in a result set that a query generates. Before you call this function, you must call either [SQLPrepare\(\)](#) or [SQLExecDirect\(\)](#).

[SQLExecDirect\(\)](#) - Execute a statement directly

[SQLExecDirect\(\)](#) prepares and executes an SQL statement in one step.

[SQLExecute\(\)](#) - Execute a statement

[SQLExecute\(\)](#) executes a statement, which you successfully prepared with [SQLPrepare\(\)](#), once or multiple times. When you execute a statement with [SQLExecute\(\)](#), the current value of any application variables that are bound to parameter markers in that statement are used.

[SQLNumParams\(\)](#) - Get number of parameters in an SQL statement

[SQLNumParams\(\)](#) returns the number of parameter markers that are in an SQL statement.

[SQLNumResultCols\(\)](#) - Get number of result columns

[SQLNumResultCols\(\)](#) returns the number of columns in the result set that is associated with the input statement handle. [SQLPrepare\(\)](#) or [SQLExecDirect\(\)](#) must be called before you call [SQLNumResultCols\(\)](#). After you call [SQLNumResultCols\(\)](#), you can call [SQLColAttribute\(\)](#) or one of the bind column functions.

Function return codes

Every ODBC function returns a return code that indicates whether the function invocation succeeded or failed.

[SQLSetParam\(\)](#) - Bind a parameter marker to a buffer

[SQLSetParam\(\)](#) is a deprecated function and is replaced with [SQLBindParameter\(\)](#).

SQLPrimaryKeys() - Get primary key columns of a table

[SQLPrimaryKeys\(\)](#) returns a list of column names that comprise the primary key for a table. The information is returned in an SQL result set. This result set can be retrieved by using the same functions that process a result set that is generated by a query.

ODBC specifications for SQLPrimaryKeys()

ODBC specification level	In X/Open CLI CAE specification?	In ISO CLI specification?
1.0	No	No

Syntax

```
SQLRETURN SQLPrimaryKeys (SQLHSTMT SQLCHAR FAR hstmt,
                          SQLSMALLINT SQLCHAR FAR *szCatalogName,
                          SQLCHAR FAR *cbCatalogName,
                          SQLSMALLINT SQLCHAR FAR *szSchemaName,
                          SQLCHAR FAR *cbSchemaName,
                          SQLSMALLINT SQLCHAR FAR *szTableName,
                          SQLCHAR FAR *cbTableName);
```

Function arguments

The following table lists the data type, use, and description for each argument in this function.

Table 191. *SQLPrimaryKeys()* arguments

Data type	Argument	Use	Description
SQLHSTMT	<i>hstmt</i>	input	Statement handle.
SQLCHAR *	<i>szCatalogName</i>	input	Catalog qualifier of a three-part table name. This must be a null pointer or a zero length string.
SQLSMALLINT	<i>cbCatalogName</i>	input	The length, in bytes, of <i>szCatalogName</i> .
SQLCHAR *	<i>szSchemaName</i>	input	Schema qualifier of table name.
SQLSMALLINT	<i>cbSchemaName</i>	input	The length, in bytes, of <i>szSchemaName</i> .
SQLCHAR *	<i>szTableName</i>	input	Table name.
SQLSMALLINT	<i>cbTableName</i>	input	The length, in bytes, of <i>szTableName</i> .

Usage

SQLPrimaryKeys() returns the primary key columns from a single table. Search patterns cannot be used to specify the schema qualifier or the table name.

The result set contains the columns listed in Table 192 on page 331, ordered by TABLE_CAT, TABLE_SCHEM, TABLE_NAME, and ORDINAL_POSITION.

Because calls to *SQLPrimaryKeys()* in many cases map to a complex and, thus, expensive query against the system catalog, they should be used sparingly, and the results saved rather than repeating calls.

The VARCHAR columns of the catalog functions result set have been declared with a maximum length attribute of 128 bytes to be consistent with ANSI/ISO SQL standard of 1992 limits. Because Db2 names are less than 128, you can always choose to set aside 128 characters (plus the nul-terminator) for the output buffer. Alternatively, you can call *SQLGetInfo()* with the *InfoType* argument set to each of the following values:

- SQL_MAX_CATALOG_NAME_LEN, to determine the length of TABLE_CAT columns that the connected database management system supports
- SQL_MAX_SCHEMA_NAME_LEN, to determine the length of TABLE_SCHEM columns that the connected database management system supports
- SQL_MAX_TABLE_NAME_LEN, to determine the length of TABLE_NAME columns that the connected database management system supports
- SQL_MAX_COLUMN_NAME_LEN, to determine the length of COLUMN_NAME columns that the connected database management system supports

Although new columns might be added and the names of the existing columns changed in future releases, the position of the current columns does not change. The following table lists each column in the result set this function generates.

Table 192. Columns returned by `SQLPrimaryKeys()`

Column number	Column name	Data type	Description
1	TABLE_CAT	VARCHAR(128)	This is always null.
2	TABLE_SCHEM	VARCHAR(128)	The name of the schema containing TABLE_NAME.
3	TABLE_NAME	VARCHAR(128) NOT NULL	Name of the specified table.
4	COLUMN_NAME	VARCHAR(128) NOT NULL	Primary key column name.
5	KEY_SEQ	SMALLINT NOT NULL	Column sequence number in the primary key, starting with 1.
6	PK_NAME	VARCHAR(128)	Primary key identifier. Contains a null value if not applicable to the data source.

The column names used by Db2 ODBC follow the X/Open CLI CAE specification style. The column types, contents and order are identical to those defined for the `SQLPrimaryKeys()` result set in ODBC.

If the specified table does not contain a primary key, an empty result set is returned.

Return codes

After you call `SQLPrimaryKeys()`, it returns one of the following values:

- `SQL_SUCCESS`
- `SQL_SUCCESS_WITH_INFO`
- `SQL_ERROR`
- `SQL_INVALID_HANDLE`

Diagnostics

The following table lists each `SQLSTATE` that this function generates, with a description and explanation for each value.

Table 193. `SQLPrimaryKeys()` `SQLSTATE`s

SQLSTATE	Description	Explanation
24000	Invalid cursor state.	A cursor is already open on the statement handle.
40003 or 08S01	Communication link failure.	The communication link between the application and data source fails before the function completes.
HY001	Memory allocation failure.	Db2 ODBC is not able to allocate the required memory to support the execution or the completion of the function.
HY010	Function sequence error.	The function is called during a data-at-execute operation. (That is, the function is called during a procedure that uses the <code>SQLParamData()</code> or <code>SQLPutData()</code> functions.)
HY014	No more handles.	Db2 ODBC is not able to allocate a handle due to low internal resources.
HY090	Invalid string or buffer length.	The value of one of the name length arguments is less than 0, but not equal <code>SQL_NTS</code> .
HYC00	Driver not capable.	Db2 ODBC does not support <i>catalog</i> as a qualifier for table name.

Example

The following example shows an application that uses `SQLPrimaryKeys()` to locate a primary key for a table, and calls `SQLColAttribute()` to find the data type of the key.

```
/* ... */
#include <sqlcli1.h>
void main()
{
    SQLCHAR      rgbDesc_20];
    SQLCHAR      szTableName_20];
    SQLCHAR      szSchemaName_20];
    SQLCHAR      rgbValue_20];
    SQLINTEGER   pcbValue;
    SQLHENV      henv;
    SQLHDBC      hdbc;
    SQLHSTMT     hstmt;
    SQLSMALLINT  pscDesc;
    SQLINTEGER   pdDesc;
    SQLRETURN    rc;
    /*****
    /* Initialization... */
    /*****
    if( SQLAllocHandle(SQL_HANDLE_ENV, SQL_NULL_HANDLE, &henv)!= SQL_SUCCESS )
    {
        fprintf( stdout, "Error in SQLAllocHandle\n" );
        exit(1);
    }
    if( SQLAllocHandle(SQL_HANDLE_DBC, henv, &hdbc)!= SQL_SUCCESS )
    {
        fprintf( stdout, "Error in SQLAllocHandle\n" );
        exit(1);
    }
    if( SQLConnect( hdbc,
                   NULL, SQL_NTS,
                   NULL, SQL_NTS,
                   NULL, SQL_NTS ) != SQL_SUCCESS )
    {
        fprintf( stdout, "Error in SQLConnect\n" );
        exit(1);
    }
    if( SQLAllocHandle(SQL_HANDLE_STMT, hdbc, &hstmt)!= SQL_SUCCESS )
    {
        fprintf( stdout, "Error in SQLAllocHandle\n" );
        exit(1);
    }

    /*****
    /* Get primary key for table 'myTable' by using SQLPrimaryKeys */
    /*****
    rc = SQLPrimaryKeys( hstmt,
                       NULL, SQL_NTS,
                       (SQLCHAR*)szSchemaName, SQL_NTS,
                       (SQLCHAR*)szTableName, SQL_NTS );

    if( rc != SQL_SUCCESS )
    {
        goto exit;
    }
    /*
    * Because all we need is the ordinal position, we'll bind column 5 from
    * the result set.
    */
    rc = SQLBindCol( hstmt,
                    5,
                    SQL_C_CHAR,
                    (SQLPOINTER)rgbValue,
                    20,
                    &pcbValue );

    if( rc != SQL_SUCCESS )
    {
        goto exit;
    }
    /*
    * Fetch data...
    */
    if( SQLFetch( hstmt ) != SQL_SUCCESS )
    {
        goto exit;
    }
    /*****
```

```

/* Get data type for that column by calling SQLColAttribute(). */
/*****
rc = SQLColAttribute( hstmt,
                    pcbValue,
                    SQL_COLUMN_TYPE,
                    rgbDesc,
                    20,
                    &pcbDesc,
                    &pfDesc );

if( rc != SQL_SUCCESS )
{
    goto exit;
}
/*
 * Display the data type.
 */
fprintf( stdout, "Data type ==> %s\n", rgbDesc );
exit:
/*****
/* Clean up the environment... */
/*****
SQLEndTran(SQL_HANDLE_DBC, hdbc, SQL_ROLLBACK);
SQLDisconnect( hdbc );
SQLFreeHandle(SQL_HANDLE_DBC, hdbc);
SQLFreeHandle(SQL_HANDLE_ENV, henv);
}

```

Figure 28. An application that locates a table's primary key

Related reference

[SQLForeignKeys\(\)](#) - Get a list of foreign key columns

[SQLForeignKeys\(\)](#) returns information about foreign keys for the specified table. The information is returned in an SQL result set, which can be processed using the same functions that are used to retrieve a result that is generated by a query.

Function return codes

Every ODBC function returns a return code that indicates whether the function invocation succeeded or failed.

[SQLStatistics\(\)](#) - Get index and statistics information for a base table

[SQLStatistics\(\)](#) retrieves index information for a specific table. It also returns the cardinality and the number of pages that are associated with the table and the indexes on the table. The information is returned in a result set. You can retrieve the result set with the same functions that process a result set that is generated by a query.

SQLProcedureColumns() - Get procedure input/output parameter information

[SQLProcedureColumns\(\)](#) returns a list of input and output parameters that are associated with a procedure. The information is returned in an SQL result set. This result set is retrieved by the same functions that process a result set that is generated by a query.

ODBC specifications for SQLProcedureColumns()

Table 194. <i>SQLProcedureColumns()</i> specifications		
ODBC specification level	In X/Open CLI CAE specification?	In ISO CLI specification?
1.0	No	No

Syntax

```

SQLRETURN SQLProcedureColumns (
    SQLHSTMT FAR hstmt,
    SQLCHAR FAR *szProcCatalog,
    SQLSMALLINT cbProcCatalog,

```

```

SQLCHAR FAR *szProcSchema,
SQLSMALLINT cbProcSchema,
SQLCHAR FAR *szProcName,
SQLSMALLINT cbProcName,
SQLCHAR FAR *szColumnName,
SQLSMALLINT cbColumnName);

```

Function arguments

The following table lists the data type, use, and description for each argument in this function.

Table 195. *SQLProcedureColumns()* arguments

Data type	Argument	Use	Description
SQLHSTMT	<i>hstmt</i>	input	Statement handle.
SQLCHAR *	<i>szProcCatalog</i>	input	Catalog qualifier of a three-part procedure name. This must be a null pointer or a zero length string.
SQLSMALLINT	<i>cbProcCatalog</i>	input	The length, in bytes, of <i>szProcCatalog</i> . This must be set to 0.
SQLCHAR *	<i>szProcSchema</i> <i>a</i>	input	Buffer that can contain a <i>pattern-value</i> to qualify the result set by schema name. If you do not want to qualify the result set by schema name, use a null pointer or a zero length string for this argument.
SQLSMALLINT	<i>cbProcSchema</i> <i>a</i>	input	The length, in bytes, of <i>szProcSchema</i> .
SQLCHAR *	<i>szProcName</i>	input	Buffer that can contain a <i>pattern-value</i> to qualify the result set by procedure name. If you do not want to qualify the result set by procedure name, use a null pointer or a zero length string for this argument.
SQLSMALLINT	<i>cbProcName</i>	input	The length, in bytes, of <i>szProcName</i> .
SQLCHAR *	<i>szColumnName</i> <i>e</i>	input	Buffer that can contain a <i>pattern-value</i> to qualify the result set by parameter name. This argument is to be used to further qualify the result set already restricted by specifying a non-empty value for <i>szProcName</i> and/or <i>szProcSchema</i> . If you do not want to qualify the result set by parameter name, use a null pointer or a zero length string for this argument.
SQLSMALLINT	<i>cbColumnName</i> <i>me</i>	input	The length, in bytes, of <i>szColumnName</i> .

Usage

Registered stored procedures are defined in the SYSIBM.SYSROUTINES catalog table. For servers that do not provide facilities for a stored procedure catalog, this function returns an empty result set.

Db2 ODBC returns information on the input, input/output, and output parameters associated with the stored procedure, but cannot return information on the descriptor information for any result sets returned.

SQLProcedureColumns() returns the information in a result set, ordered by PROCEDURE_CAT, PROCEDURE_SCHEM, PROCEDURE_NAME, and COLUMN_TYPE. [Table 196 on page 335](#) lists the columns in the result set.

Because calls to `SQLProcedureColumns()` in many cases map to a complex and thus expensive query against the system catalog, they should be used sparingly, and the results saved rather than repeating calls.

The `VARCHAR` columns of the catalog functions result set have been declared with a maximum length attribute of 128 bytes to be consistent with ANSI/ISO SQL standard of 1992 limits. Because Db2 names are less than 128 bytes, the application can choose to always set aside 128 bytes (plus the null-terminator) for the output buffer. Alternatively, you can call `SQLGetInfo()` with the *InfoType* argument set to each of the following values:

- `SQL_MAX_CATALOG_NAME_LEN`, to determine the length of `TABLE_CAT` columns that the connected database management system supports
- `SQL_MAX_SCHEMA_NAME_LEN`, to determine the length of `TABLE_SCHEM` columns that the connected database management system supports
- `SQL_MAX_TABLE_NAME_LEN`, to determine the length of `TABLE_NAME` columns that the connected database management system supports
- `SQL_MAX_COLUMN_NAME_LEN`, to determine the length of `COLUMN_NAME` columns that the connected database management system supports

Applications should be aware that columns beyond the last column might be defined in future releases. Although new columns might be added and the names of the existing columns changed in future releases, the position of the current columns does not change. The following table lists these columns.

Table 196. Columns returned by `SQLProcedureColumns()`

Column number	Column name	Data type	Description
1	<code>PROCEDURE_CAT</code>	<code>VARCHAR(128)</code>	This field is always null.
2	<code>PROCEDURE_SCHEM</code>	<code>VARCHAR(128)</code>	The name of the schema containing <code>PROCEDURE_NAME</code> . (This is also NULL for Db2 for z/OS <code>SQLProcedureColumns()</code> result sets.)
3	<code>PROCEDURE_NAME</code>	<code>VARCHAR(128)</code>	Name of the procedure.
4	<code>COLUMN_NAME</code>	<code>VARCHAR(128)</code>	Name of the parameter.
5	<code>COLUMN_TYPE</code>	<code>SMALLINT NOT NULL</code>	Identifies the type information associated with this row. The values can be: <ul style="list-style-type: none"> • <code>SQL_PARAM_TYPE_UNKNOWN</code>: the parameter type is unknown.¹ • <code>SQL_PARAM_INPUT</code>: this parameter is an input parameter. • <code>SQL_PARAM_INPUT_OUTPUT</code>: this parameter is an input/output parameter. • <code>SQL_PARAM_OUTPUT</code>: this parameter is an output parameter. • <code>SQL_RETURN_VALUE</code>: the procedure column is the return value of the procedure.¹ • <code>SQL_RESULT_COL</code>: this parameter is actually a column in the result set. ¹ on page 338 <p>Requirement: For <code>SQL_PARAM_OUTPUT</code> and <code>SQL_RETURN_VALUE</code> support, you must have ODBC 2.0 or higher.</p>
6	<code>DATA_TYPE</code>	<code>SMALLINT NOT NULL</code>	SQL data type.

Table 196. Columns returned by `SQLProcedureColumns()` (continued)

Column number	Column name	Data type	Description
7	TYPE_NAME	VARCHAR(128) NOT NULL	Character string representing the name of the data type corresponding to DATA_TYPE.
8	COLUMN_SIZE	INTEGER	<p>If the DATA_TYPE column value denotes a character or binary string, then this column contains the maximum length in bytes; if it is a graphic (DBCS) string, this is the number of double-byte characters for the parameter.</p> <p>For date, time, timestamp data types, this is the total number of bytes required to display the value when converted to character.</p> <p>For numeric data types, this is either the total number of digits, or the total number of bits allowed in the column, depending on the value in the NUM_PREC_RADIX column in the result set.</p> <p>For the XML data type in native SQL procedures, zero is returned (the XML data type has no length).</p>
9	BUFFER_LENGTH	INTEGER	<p>The maximum number of bytes for the associated C buffer to store data from this parameter if SQL_C_DEFAULT is specified on the SQLBindCol(), SQLGetData() and SQLBindParameter() calls. This length excludes any nul-terminator. For exact numeric data types, the length accounts for the decimal and the sign.</p> <p>For the XML data type in native SQL procedures, zero is returned (the XML data type has no length).</p>
10	DECIMAL_DIGITS	SMALLINT	The scale of the parameter. NULL is returned for data types where scale is not applicable.
11	NUM_PREC_RADIX	SMALLINT	<p>Either 10 or 2 or NULL. If DATA_TYPE is an approximate numeric data type, this column contains the value 2, then the COLUMN_SIZE column contains the number of bits allowed in the parameter.</p> <p>If DATA_TYPE is an exact numeric data type, this column contains the value 10 and the COLUMN_SIZE and DECIMAL_DIGITS columns contain the number of decimal digits allowed for the parameter.</p> <p>For numeric data types, the database management system can return a NUM_PREC_RADIX of either 10 or 2.</p> <p>NULL is returned for data types where radix is not applicable.</p>
12	NULLABLE	SMALLINT NOT NULL	<p>SQL_NO_NULLS if the parameter does not accept NULL values.</p> <p>SQL_NULLABLE if the parameter accepts NULL values.</p>

Table 196. Columns returned by `SQLProcedureColumns()` (continued)

Column number	Column name	Data type	Description
13	REMARKS	VARCHAR(254)	Might contain descriptive information about the parameter.
14	COLUMN_DEF	VARCHAR(254)	<p>The default value for the column. If the default value is:</p> <ul style="list-style-type: none"> • A numeric literal, this column contains the character representation of the numeric literal with no enclosing single quotes. • A character string, this column is that string enclosed in single quotes. • A pseudo-literal, such as for DATE, TIME, and TIMESTAMP columns, this column contains the keyword of the pseudo-literal (for example, CURRENT DATE) with no enclosing single quotes. • NULL, this column returns the word NULL, with no enclosing single quotes. <p>If the default value cannot be represented without truncation, this column contains TRUNCATED with no enclosing single quotes. If no default value is specified, this column is NULL.</p>
15	SQL_DATA_TYPE	SMALLINT NOT NULL	The SQL data type. This column is the same as the DATA_TYPE column. For datetime data types, the SQL_DATA_TYPE field in the result set is SQL_DATETIME, and the SQL_DATETIME_SUB field returns the subcode for the specific datetime data type (SQL_CODE_DATE, SQL_CODE_TIME or SQL_CODE_TIMESTAMP).
16	SQL_DATETIME_SUB	SMALLINT	<p>The subtype code for datetime data types:</p> <ul style="list-style-type: none"> • SQL_CODE_DATE • SQL_CODE_TIME • SQL_CODE_TIMESTAMP <p>For all other data types, this column returns a null value.</p>
17	CHAR_OCTET_LENGTH	INTEGER	The maximum length in bytes of a character data type column. For the XML data type in native SQL procedures, zero is returned (the XML data type has no length). For all other data types, this column returns null value.
18	ORDINAL_POSITION	INTEGER NOT NULL	Contains the ordinal position of the parameter given by COLUMN_NAME in this result set. This is the ordinal position of the argument provided on the CALL statement. The leftmost argument has an ordinal position of 1.

Table 196. Columns returned by `SQLProcedureColumns()` (continued)

Column number	Column name	Data type	Description
19	IS_NULLABLE	VARCHAR(128)	<p>One of the following:</p> <ul style="list-style-type: none"> "NO", if the column does not include null values "YES", if the column can include null values Zero-length string if nullability is unknown. <p>The value returned for this column is different than the value returned for the NULLABLE column. (See the description of the NULLABLE column.)</p>

Note:

1. These values are not returned.

The column names used by Db2 ODBC follow the X/Open CLI CAE specification style. The column types, contents and order are identical to those defined for the `SQLProcedureColumns()` result set in ODBC.

Return codes

After you call `SQLProcedureColumns()`, it returns one of the following values:

- SQL_SUCCESS
- SQL_SUCCESS_WITH_INFO
- SQL_ERROR
- SQL_INVALID_HANDLE

Diagnostics

The following table lists each SQLSTATE that this function generates, with a description and explanation for each value.

Table 197. `SQLProcedureColumns()` SQLSTATES

SQLSTATE	Description	Explanation
08S01	Communication link failure.	The communication link between the application and data source fails before the function completes.
24000	Invalid cursor state.	A cursor is opened on the statement handle.
42601	PARMLIST syntax error.	The PARMLIST value in the stored procedures catalog table contains a syntax error.
HY001	Memory allocation failure.	Db2 ODBC is not able to allocate the required memory to support the execution or the completion of the function.
HY010	Function sequence error.	The function is called during a data-at-execute operation. (That is, the function is called during a procedure that uses the <code>SQLParamData()</code> or <code>SQLPutData()</code> functions.)
HY014	No more handles.	Db2 ODBC is not able to allocate a handle due to low internal resources.
HY090	Invalid string or buffer length	The value of one of the name length arguments is less than 0, but not equal SQL_NTS.

Table 197. *SQLProcedureColumns()* SQLSTATES (continued)

SQLSTATE	Description	Explanation
HYC00	Driver not capable.	This SQLSTATE is returned for one or more of the following reasons: <ul style="list-style-type: none"> • Db2 ODBC does not support <i>catalog</i> as a qualifier for procedure name. • The connected server does not support <i>schema</i> as a qualifier for procedure name.

Restrictions

SQLProcedureColumns() does not return information about the attributes of result sets that stored procedures can return.

If an application is connected to a Db2 server that does not provide support for stored procedures, or for a stored procedure catalog, *SQLProcedureColumns()* returns an empty result set.

Example

The following example shows an application that retrieves input, input/output, and output parameters associated with a procedure.

```

/*****
/* Invoke SQLProcedureColumns and enumerate all rows retrieved. */
*****/
#include <stdio.h>
#include <string.h>
#include <stdlib.h>
#include <sqlca.h>
#include "sqlcli1.h"
int main( )
{
    SQLHENV      hEnv      = SQL_NULL_HENV;
    SQLHDBC      hDbc      = SQL_NULL_HDBC;
    SQLHSTMT     hStmt     = SQL_NULL_HSTMT;
    SQLRETURN    rc        = SQL_SUCCESS;
    SQLINTEGER   RETCODE   = 0;
    char         *pDSN     = "STLEC1";
    char         procedure_name [20];
    char         parameter_name [20];
    char         ptype      [20];
    SQLSMALLINT  parameter_type = 0;
    SQLSMALLINT  data_type  = 0;
    char         type_name   [20];
    SWORD        cbCursor;
    SDWORD       cbValue3;
    SDWORD       cbValue4;
    SDWORD       cbValue5;
    SDWORD       cbValue6;
    SDWORD       cbValue7;
    char         ProcCatalog [20] = {0};
    char         ProcSchema  [20] = {0};
    char         ProcName    [20] = {"DOIT%"};
    char         ColumnName  [20] = {"P%"};
    SQLSMALLINT  cbProcCatalog = 0;
    SQLSMALLINT  cbProcSchema  = 0;
    SQLSMALLINT  cbProcName    = strlen(ProcName);
    SQLSMALLINT  cbColumnName  = strlen(ColumnName);

    (void) printf ("**** Entering CLIP12.\n\n");
    /*****
    /* Allocate environment handle
    *****/
    RETCODE = SQLAllocHandle(SQL_HANDLE_ENV, SQL_NULL_HANDLE, &hEnv);
    if (RETCODE != SQL_SUCCESS)
        goto dberror;
    /*****
    /* Allocate connection handle to DSN
    *****/
    RETCODE = SQLAllocHandle(SQL_HANDLE_DBC, hEnv, &hDbc);

```

```

if( RETCODE != SQL_SUCCESS )      // Could not get a connect handle
    goto dberror;
/*****
/* CONNECT TO data source (STLEC1)
*****/
RETCODE = SQLConnect(hDbc,          // Connect handle
                    (SQLCHAR *) pDSN, // DSN
                    SQL_NTS,        // DSN is nul-terminated
                    NULL,           // Null UID
                    0,               // Null Auth string
                    NULL,           // Null Auth string
                    0);

if( RETCODE != SQL_SUCCESS )      // Connect failed
    goto dberror;
/*****
/* Allocate statement handles
*****/
rc = SQLAllocHandle(SQL_HANDLE_STMT, hDbc, &hStmt);
if (rc != SQL_SUCCESS)
    goto exit;
/*****
/* Invoke SQLProcedureColumns and retrieve all rows within
/* answer set.
*****/
rc = SQLProcedureColumns (hStmt
                        ,
                        (SQLCHAR *) ProcCatalog,
                        cbProcCatalog
                        ,
                        (SQLCHAR *) ProcSchema ,
                        cbProcSchema
                        ,
                        (SQLCHAR *) ProcName   ,
                        cbProcName
                        ,
                        (SQLCHAR *) ColumnName ,
                        cbColumnName);

if (rc != SQL_SUCCESS)
{
    (void) printf ("**** SQLProcedureColumns Failed.\n");
    goto dberror;
}

rc = SQLBindCol (hStmt,          // bind procedure_name
                3,
                SQL_C_CHAR,
                procedure_name,
                sizeof(procedure_name),
                &cbValue3);

if (rc != SQL_SUCCESS)
{
    (void) printf ("**** Bind of procedure_name Failed.\n");
    goto dberror;
}

rc = SQLBindCol (hStmt,          // bind parameter_name
                4,
                SQL_C_CHAR,
                parameter_name,
                sizeof(parameter_name),
                &cbValue4);

if (rc != SQL_SUCCESS)
{
    (void) printf ("**** Bind of parameter_name Failed.\n");
    goto dberror;
}

rc = SQLBindCol (hStmt,          // bind parameter_type
                5,
                SQL_C_SHORT,
                &parameter_type,
                0,
                &cbValue5);

if (rc != SQL_SUCCESS)
{
    (void) printf ("**** Bind of parameter_type Failed.\n");
    goto dberror;
}

rc = SQLBindCol (hStmt,          // bind SQL data type
                6,
                SQL_C_SHORT,
                &data_type,
                0,
                &cbValue6);

if (rc != SQL_SUCCESS)
{
    (void) printf ("**** Bind of data_type Failed.\n");
    goto dberror;
}

```

```

}
rc = SQLBindCol (hStmt,          // bind type_name
                7,
                SQL_C_CHAR,
                type_name,
                sizeof(type_name),
                &cbValue7);
if (rc != SQL_SUCCESS)
{
    (void) printf ("**** Bind of type_name Failed.\n");
    goto dberror;
}
/*****
/* Answer set is available - Fetch rows and print parameters for */
/* all procedures. */
*****/
while ((rc = SQLFetch (hStmt)) == SQL_SUCCESS)
{
    (void) printf ("**** Procedure Name = %s. Parameter %s",
                  procedure_name,
                  parameter_name);
    switch (parameter_type)
    {
        case SQL_PARAM_INPUT      :
            (void) strcpy (ptype, "INPUT");
            break;
        case SQL_PARAM_OUTPUT     :
            (void) strcpy (ptype, "OUTPUT");
            break;
        case SQL_PARAM_INPUT_OUTPUT :
            (void) strcpy (ptype, "INPUT/OUTPUT");
            break;
        default                    :
            (void) strcpy (ptype, "UNKNOWN");
            break;
    }
    (void) printf (" is %s. Data Type is %d. Type Name is %s.\n",
                  ptype,
                  data_type,
                  type_name);
}
/*****
/* Deallocate statement handles -- statement is no longer in a */
/* prepared state. */
*****/
rc = SQLFreeHandle(SQL_HANDLE_STMT, hStmt);
/*****
/* DISCONNECT from data source */
*****/
RETCODE = SQLDisconnect(hDbc);
if (RETCODE != SQL_SUCCESS)
    goto dberror;
/*****
/* Deallocate connection handle */
*****/
RETCODE = SQLFreeHandle(SQL_HANDLE_DBC, hDbc);
if (RETCODE != SQL_SUCCESS)
    goto dberror;
/*****
/* Free Environment Handle */
*****/
RETCODE = SQLFreeHandle(SQL_HANDLE_ENV, hEnv);
if (RETCODE == SQL_SUCCESS)
    goto exit;
dberror:
RETCODE=12;
exit:
(void) printf ("**** Exiting CLIP12.\n\n");
return RETCODE;
}

```

Figure 29. An application that retrieves parameters associated with a procedure

Related concepts

[Use of ODBC for querying the Db2 catalog](#)

You can use Db2 ODBC catalog query functions and direct catalog queries to the Db2 ODBC shadow catalog to obtain catalog information.

Related reference

Length of SQL data types

The length of a column is the maximum number of bytes that are returned to the application when data is transferred to its default C data type.

Precision of SQL data types

The precision of a numeric column or parameter refers to the maximum number of digits that are used by the data type of the column or parameter. The precision of a non-numeric column or parameter generally refers to the maximum length or the defined length of the column or parameter.

Scale of SQL data types

The scale of a numeric column or parameter refers to the maximum number of digits to the right of the decimal point. For approximate floating-point number columns or parameters, the scale is undefined because the number of digits to the right of the decimal place is not fixed.

SQLProcedures() - Get a list of procedure names

SQLProcedures() returns a list of procedure names that have been registered at the server, and that match the specified search pattern. The information is returned in an SQL result set. This result set is retrieved by the same functions that process a result set that is generated by a query.

Function return codes

Every ODBC function returns a return code that indicates whether the function invocation succeeded or failed.

SQLProcedures() - Get a list of procedure names

SQLProcedures() returns a list of procedure names that have been registered at the server, and that match the specified search pattern. The information is returned in an SQL result set. This result set is retrieved by the same functions that process a result set that is generated by a query.

ODBC specifications for SQLProcedures()

Table 198. SQLProcedures() specifications		
ODBC specification level	In X/Open CLI CAE specification?	In ISO CLI specification?
1.0	No	No

Syntax

```
SQLRETURN SQLProcedures (SQLHSTMT FAR hstmt,
SQLCHAR FAR *szProcCatalog,
SQLSMALLINT FAR cbProcCatalog,
SQLCHAR FAR *szProcSchema,
SQLSMALLINT FAR cbProcSchema,
SQLCHAR FAR *szProcName,
SQLSMALLINT FAR cbProcName);
```

Function arguments

The following table lists the data type, use, and description for each argument in this function.

Table 199. SQLProcedures() arguments			
Data type	Argument	Use	Description
SQLHSTMT	<i>hstmt</i>	input	Statement handle.

Table 199. *SQLProcedures()* arguments (continued)

Data type	Argument	Use	Description
SQLCHAR *	<i>szProcCatalog</i>	input	Catalog qualifier of a three-part procedure name. This must be a null pointer or a zero length string.
SQLSMALLINT	<i>cbProcCatalog</i>	input	The length, in bytes, of <i>szProcCatalog</i> . This must be set to 0.
SQLCHAR *	<i>szProcSchem</i> <i>a</i>	input	Buffer that can contain a <i>pattern-value</i> to qualify the result set by schema name. If you do not want to qualify the result set by schema name, use a null pointer or a zero length string for this argument.
SQLSMALLINT	<i>cbProcSchem</i> <i>a</i>	input	The length, in bytes, of <i>szProcSchema</i> .
SQLCHAR *	<i>szProcName</i>	input	Buffer that can contain a <i>pattern-value</i> to qualify the result set by table name. If you do not want to qualify the result set by table name, use a null pointer or a zero length string for this argument.
SQLSMALLINT	<i>cbProcName</i>	input	The length, in bytes, of <i>szProcName</i> .

Usage

Registered stored procedures are defined in the SYSIBM.SYSROUTINES catalog table. For servers that do not provide facilities for a stored procedure catalog, this function returns an empty result set.

The result set returned by *SQLProcedures()* contains the columns that are listed in [Table 200 on page 344](#) in the order given. The rows are ordered by PROCEDURE_CAT, PROCEDURE_SCHEM, and PROCEDURE_NAME.

Because calls to *SQLProcedures()* in many cases map to a complex and thus expensive query against the system catalog, they should be used sparingly, and the results saved rather than repeating calls.

The VARCHAR columns of the catalog functions result set have been declared with a maximum length attribute of 128 bytes to be consistent with ANSI/ISO SQL standard of 1992 limits. Because Db2 names are less than 128 bytes, the application can choose to always set aside 128 bytes (plus the null-terminator) for the output buffer. Alternatively, you can call *SQLGetInfo()* with the *InfoType* argument set to each of the following values:

- SQL_MAX_CATALOG_NAME_LEN, to determine the length of TABLE_CAT columns that the connected database management system supports
- SQL_MAX_SCHEMA_NAME_LEN, to determine the length of TABLE_SCHEM columns that the connected database management system supports
- SQL_MAX_TABLE_NAME_LEN, to determine the length of TABLE_NAME columns that the connected database management system supports
- SQL_MAX_COLUMN_NAME_LEN, to determine the length of COLUMN_NAME columns that the connected database management system supports

Although new columns might be added and the names of the existing columns changed in future releases, the position of the current columns does not change. [Table 201 on page 344](#) lists these columns.

Table 200. Columns returned by `SQLProcedures()`

Column number	Column name	Data type	Description
1	PROCEDURE_CAT	VARCHAR(128)	This is always null.
2	PROCEDURE_SCHEM	VARCHAR(128)	The name of the schema containing PROCEDURE_NAME.
3	PROCEDURE_NAME	VARCHAR(128) NOT NULL	The name of the procedure.
4	NUM_INPUT_PARAMS	INTEGER not NULL	Number of input parameters.
5	NUM_OUTPUT_PARAMS	INTEGER not NULL	Number of output parameters.
6	NUM_RESULT_SETS	INTEGER not NULL	Number of result sets returned by the procedure.
7	REMARKS	VARCHAR(254)	Contains the descriptive information about the procedure.
8	PROCEDURE_TYPE	SMALLINT	Defines the procedure type: <ul style="list-style-type: none"> • <code>SQL_PT_UNKNOWN</code>: It cannot be determined whether the procedure returns a value. • <code>SQL_PT_PROCEDURE</code>: The returned object is a procedure; that is, it does not have a return value. • <code>SQL_PT_FUNCTION</code>: The returned object is a function; that is, it has a return value. Db2 ODBC always returns <code>SQL_PT_PROCEDURE</code> .

The column names used by Db2 ODBC follow the X/Open CLI CAE specification style. The column types, contents and order are identical to those defined for the `SQLProcedures()` result set in ODBC.

Return codes

After you call `SQLProcedures()`, it returns one of the following values:

- `SQL_SUCCESS`
- `SQL_SUCCESS_WITH_INFO`
- `SQL_ERROR`
- `SQL_INVALID_HANDLE`

Diagnostics

The following table lists each `SQLSTATE` that this function generates, with a description and explanation for each value.

Table 201. `SQLProcedures()` `SQLSTATES`

SQLSTATE	Description	Explanation
08S01	Communication link failure.	The communication link between the application and data source fails before the function completes.
24000	Invalid cursor state.	A cursor is opened on the statement handle.

Table 201. `SQLProcedures()` `SQLSTATEs` (continued)

SQLSTATE	Description	Explanation
HY001	Memory allocation failure.	Db2 ODBC is not able to allocate the required memory to support the execution or the completion of the function.
HY010	Function sequence error.	The function is called during a data-at-execute operation. (That is, the function is called during a procedure that uses the <code>SQLParamData()</code> or <code>SQLPutData()</code> functions.)
HY014	No more handles.	Db2 ODBC is not able to allocate a handle due to low internal resources.
HY090	Invalid string or buffer length.	The value of one of the name length arguments is less than 0, but not equal to <code>SQL_NTS</code> .
HYC00	Driver not capable.	This <code>SQLSTATE</code> is returned for one or more of the following reasons: <ul style="list-style-type: none"> • Db2 ODBC does not support <i>catalog</i> as a qualifier for procedure name. • The connected server does not supported schema as a qualifier for procedure name.

Restrictions

If an application is connected to a Db2 server that does not provide support for stored procedures, or for a stored procedure catalog, `SQLProcedureColumns()` returns an empty result set.

Example

The following example shows an application that prints a list of procedures registered at the server. The application uses `SQLProcedures()` to retrieve these procedures and to establish a search pattern.

```

/* ... */
rc = SQLProcedures(hstmt, NULL, 0, proc_schem.s, SQL_NTS, "%", SQL_NTS);
gets(proc_schem.s);
rc = SQLProcedures(hstmt, NULL, 0, proc_schem.s, SQL_NTS, "NTS");
rc = SQLBindCol(hstmt, 2, SQL_C_CHAR, (SQLPOINTER) proc_schem.s, 129,
                &proc_schem.ind);
rc = SQLBindCol(hstmt, 3, SQL_C_CHAR, (SQLPOINTER) proc_name.s, 129,
                &proc_name.ind);
rc = SQLBindCol(hstmt, 7, SQL_C_CHAR, (SQLPOINTER) remarks.s, 255,
                &remarks.ind);
printf("PROCEDURE SCHEMA          PROCEDURE NAME          \n");
printf("----- \n");
/* Fetch each row, and display */
while ((rc = SQLFetch(hstmt)) == SQL_SUCCESS) {
    printf("%-25s %-25s\n", proc_schem.s, proc_name.s);
    if (remarks.ind != SQL_NULL_DATA) {
        printf(" (Remarks) %s\n", remarks.s);
    }
}
/* endwhile */
/* ... */

```

Figure 30. An application that prints a list of registered procedures

Related concepts

[Use of ODBC for querying the Db2 catalog](#)

You can use Db2 ODBC catalog query functions and direct catalog queries to the Db2 ODBC shadow catalog to obtain catalog information.

Related reference

[SQLProcedureColumns\(\) - Get procedure input/output parameter information](#)

SQLProcedureColumns() returns a list of input and output parameters that are associated with a procedure. The information is returned in an SQL result set. This result set is retrieved by the same functions that process a result set that is generated by a query.

Function return codes

Every ODBC function returns a return code that indicates whether the function invocation succeeded or failed.

SQLPutData() - Pass a data value for a parameter

SQLPutData() supplies a parameter data value. This function can be used to send large parameter values in pieces. The information is returned in an SQL result set. This result set is retrieved by the same functions that process a result set that is generated by a query.

ODBC specifications for SQLPutData()

ODBC specification level	In X/Open CLI CAE specification?	In ISO CLI specification?
1.0	Yes	Yes

Syntax

For 31-bit applications, use the following syntax:

```
SQLRETURN SQLPutData (SQLHSTMT
                        SQLPOINTER
                        SQLINTEGER
                        hstmt,
                        rgbValue,
                        cbValue);
```

For 64-bit applications, use the following syntax:

```
SQLRETURN SQLPutData (SQLHSTMT
                        SQLPOINTER
                        SQLLEN
                        hstmt,
                        rgbValue,
                        cbValue);
```

Function arguments

The following table lists the data type, use, and description for each argument in this function.

Data type	Argument	Use	Description
SQLHSTMT	<i>hstmt</i>	input	Statement handle.
SQLPOINTER	<i>rgbValue</i>	input	Pointer to the actual data, or portion of data, for a parameter. The data must be in the form specified in the SQLBindParameter() call that the application used when specifying the parameter.

Table 203. *SQLPutData()* arguments (continued)

Data type	Argument	Use	Description
SQLINTEGER (31-bit) or SQLLEN (64-bit) ¹	<i>cbValue</i>	input	<p>The length, in bytes, of <i>rgbValue</i>. Specifies the amount of data sent in a call to <i>SQLPutData()</i>.</p> <p>The amount of data can vary with each call for a given parameter. The application can also specify <code>SQL_NTS</code> or <code>SQL_NULL_DATA</code> for <i>cbValue</i>.</p> <p><i>cbValue</i> is ignored for all fixed-length C buffer types, such as date, time, timestamp, and all numeric C buffer types.</p> <p>For cases where the C buffer type is <code>SQL_C_CHAR</code> or <code>SQL_C_BINARY</code>, or if <code>SQL_C_DEFAULT</code> is specified as the C buffer type and the C buffer type default is <code>SQL_C_CHAR</code> or <code>SQL_C_BINARY</code>, this is the number of bytes of data in the <i>rgbValue</i> buffer.</p>

Notes:

1. For 64-bit applications, the data type `SQLINTEGER`, which was used in previous versions of Db2, is still valid. However, for maximum application portability, using `SQLLEN` is recommended.

Usage

The application calls *SQLPutData()* after calling *SQLParamData()* on a statement in the `SQL_NEED_DATA` state to supply the data values for an `SQL_DATA_AT_EXEC` parameter. Long data can be sent in pieces using repeated calls to *SQLPutData()*. After all the pieces of data for the parameter have been sent, the application calls *SQLParamData()* again to proceed to the next `SQL_DATA_AT_EXEC` parameter, or, if all parameters have data values, to execute the statement.

SQLPutData() cannot be called more than once for a fixed-length C buffer type, such as `SQL_C_LONG`.

After an *SQLPutData()* call, the only legal function calls are *SQLParamData()*, *SQLCancel()*, or another *SQLPutData()* if the input data is character or binary data. As with *SQLParamData()*, all other function calls using this statement handle fail. In addition, all function calls referencing the parent *hdbc* of *hstmt* fail if they involve changing any attribute or state of that connection; that is, the following function calls on the parent *hdbc* are also not permitted:

- *SQLAllocHandle()*
- *SQLSetConnectAttr()*
- *SQLNativeSql()*
- *SQLEndTran()*

If they are invoked during an `SQL_NEED_DATA` sequence, these functions return `SQL_ERROR` with `SQLSTATE` of **HY010** and the processing of the `SQL_DATA_AT_EXEC` parameters is not affected.

If one or more calls to *SQLPutData()* for a single parameter results in `SQL_SUCCESS`, attempting to call *SQLPutData()* with *cbValue* set to `SQL_NULL_DATA` for the same parameter results in an error with `SQLSTATE` of **22005**. This error does not result in a change of state; the statement handle is still in a *Need Data* state and the application can continue sending parameter data.

Return codes

After you call *SQLPutData()*, it returns one of the following values:

- `SQL_SUCCESS`
- `SQL_SUCCESS_WITH_INFO`
- `SQL_ERROR`

- SQL_INVALID_HANDLE

Diagnostics

Some of the following diagnostic conditions are also reported on the final `SQLParamData()` call rather than at the time the `SQLPutData()` is called. The following table lists each SQLSTATE with a description and explanation for each value.

Table 204. `SQLPutData()` SQLSTATES

SQLSTATE	Description	Explanation
01004	Data truncated.	This SQLSTATE is returned for one or more of the following reasons: <ul style="list-style-type: none"> • The data sent for a numeric parameter is truncated without the loss of significant digits. • Timestamp data sent for a date or time column is truncated. (SQLPutData() returns SQL_SUCCESS_WITH_INFO for this SQLSTATE.)
08S01	Communication link failure.	The communication link between the application and data source fails before the function completes.
22001	String data right truncation.	More data is sent for a binary or char data than the data source can support for that column.
22008	Invalid datetime format or datetime field overflow.	The data value sent for a date, time, or timestamp parameters is invalid.
22018	Error in assignment.	The data sent for a parameter is incompatible with the data type of the associated table column.
HY001	Memory allocation failure.	Db2 ODBC is not able to allocate the required memory to support the execution or the completion of the function.
HY009	Invalid use of a null pointer.	The argument <i>rgbValue</i> is a NULL pointer, and the argument <i>cbValue</i> is neither 0 nor SQL_NULL_DATA.
HY010	Function sequence error.	The statement handle <i>hstmt</i> must be in a need data state and must have been positioned on an SQL_DATA_AT_EXEC parameter using a previous <code>SQLParamData()</code> call.
HY019	Numeric value out of range.	This SQLSTATE is returned for one or more of the following reasons: <ul style="list-style-type: none"> • The data sent for a numeric parameter causes the whole part of the number to be truncated when it is assigned to the associated column. • <code>SQLPutData()</code> is called more than once for a fixed-length parameter.
HY090	Invalid string or buffer length.	The argument <i>rgbValue</i> is not a null pointer, and the argument <i>cbValue</i> is less than 0, but not equal to SQL_NTS or SQL_NULL_DATA.

Restrictions

A new value for *pcbValue*, SQL_DEFAULT_PARAM, was introduced in ODBC 2.0, to indicate that the procedure is to use the default value of a parameter, rather than a value sent from the application. Because the concept of default values does not apply to Db2 stored procedure arguments, specification of

this value for the *pcbValue* argument results in an error when the CALL statement is executed because the SQL_DEFAULT_PARAM value is considered an invalid length.

ODBC 2.0 also introduced the SQL_LEN_DATA_AT_EXEC(*length*) macro to be used with the *pcbValue* argument. The macro is used to specify the sum total length, in bytes, of the entire data that would be sent for character or binary C data using the subsequent SQLPutData() calls. Because the Db2 ODBC driver does not need this information, the macro is not needed. To check if the driver needs this information, call SQLGetInfo() with the *InfoType* argument set to SQL_NEED_LONG_DATA_LEN. The Db2 ODBC driver returns 'N' to indicate that this information is not needed by SQLPutData().

Example

Refer to the function SQLGetData() for a related example.

Related concepts

Input and retrieval of long data in pieces

When an application must manipulate long data values, loading the entire values into storage can become impractical. For this reason, Db2 ODBC provides a technique that enables you to handle long data values in pieces.

Related reference

SQLBindParameter() - Bind a parameter marker to a buffer or LOB locator

SQLBindParameter() binds parameter markers to application variables and extends the capability of the SQLSetParam() function.

SQLCancel() - Cancel statement

SQLCancel() terminates an SQLExecDirect() or SQLExecute() sequence prematurely.

SQLExecDirect() - Execute a statement directly

SQLExecDirect() prepares and executes an SQL statement in one step.

SQLExecute() - Execute a statement

SQLExecute() executes a statement, which you successfully prepared with SQLPrepare(), once or multiple times. When you execute a statement with SQLExecute(), the current value of any application variables that are bound to parameter markers in that statement are used.

SQLGetData() - Get data from a column

SQLGetData() retrieves data for a single column in the current row of the result set. You can also use SQLGetData() to retrieve large data values in pieces. After you call SQLGetData() for each column, call SQLFetch() or SQLExtendedFetch() for each row that you want to retrieve.

SQLParamData() - Get next parameter for which a data value is needed

SQLParamData() is used in conjunction with SQLPutData() to send long data in pieces. You can also use this function to send fixed-length data.

Function return codes

Every ODBC function returns a return code that indicates whether the function invocation succeeded or failed.

SQLRowCount() - Get row count

SQLRowCount() returns the number of rows in a table that were affected by an UPDATE, INSERT, DELETE, or MERGE statement. You can call SQLRowCount() against a table or against a view that is

based on the table. `SQLExecute()` or `SQLExecDirect()` must be called before `SQLRowCount()` is called.

ODBC specifications for `SQLRowCount()`

Table 205. <code>SQLRowCount()</code> specifications		
ODBC specification level	In X/Open CLI CAE specification?	In ISO CLI specification?
1.0	Yes	Yes

Syntax

For 31-bit applications, use the following syntax:

```
SQLRETURN SQLRowCount (SQLHSTMT hstmt,
                        SQLINTEGER FAR *pcrow);
```

For 64-bit applications, use the following syntax:

```
SQLRETURN SQLRowCount (SQLHSTMT hstmt,
                        SQLLEN FAR *pcrow);
```

Function arguments

The following table lists the data type, use, and description for each argument in this function.

Table 206. `SQLRowCount()` arguments

Data type	Argument	Use	Description
SQLHSTMT	<i>hstmt</i>	input	Statement handle
SQLINTEGER *(31-bit) or SQLLEN *(64-bit) ¹	<i>pcrow</i>	output	Pointer to location where the number of rows affected is stored.

Notes:

- For 64-bit applications, the data type SQLINTEGER, which was used in previous versions of Db2, is still valid. However, for maximum application portability, using SQLLEN is recommended.

Usage

If the last executed statement referenced by the input statement handle is not an UPDATE, INSERT, DELETE, or MERGE statement, or if it did not execute successfully, then the function sets the contents of *pcrow* to -1.

If `SQLRowCount()` is executed after the `SQLExecDirect()` or `SQLExecute()` of an SQL statement other than INSERT, UPDATE, DELETE, or MERGE, it results in return code 0 and *pcrow* is set to -1.

Any rows in other tables that might be affected by the statement (for example, cascading deletes) are not included in the count.

If `SQLRowCount()` is executed after a built-in function (for example, `SQLTables()`), it results in return code -1 and SQLSTATE HY010.

Return codes

After you call `SQLRowCount()`, it returns one of the following values:

- SQL_SUCCESS
- SQL_ERROR
- SQL_INVALID_HANDLE

Diagnostics

The following table lists each SQLSTATE that this function generates, with a description and explanation for each value.

Table 207. *SQLRowCount()* SQLSTATES

SQLSTATE	Description	Explanation
08S01	Communication link failure.	The communication link between the application and data source fails before the function completes.
58004	Unexpected system failure.	Unrecoverable system error.
HY001	Memory allocation failure.	Db2 ODBC is not able to allocate the required memory to support the execution or the completion of the function.
HY010	Function sequence error.	The function is called prior to calling <code>SQLExecute()</code> or <code>SQLExecDirect()</code> for the <i>hstmt</i> .
HY013	Unexpected memory handling error.	Db2 ODBC is not able to access the memory that is required to support execution or completion of the function.

Example

Refer to the function `SQLDescribeCol()` for a related example.

Related reference

[SQLDescribeCol\(\)](#) - Describe column attributes

`SQLDescribeCol()` returns commonly used descriptor information about a column in a result set that a query generates. Before you call this function, you must call either `SQLPrepare()` or `SQLExecDirect()`.

[SQLExecDirect\(\)](#) - Execute a statement directly

`SQLExecDirect()` prepares and executes an SQL statement in one step.

[SQLExecute\(\)](#) - Execute a statement

`SQLExecute()` executes a statement, which you successfully prepared with `SQLPrepare()`, once or multiple times. When you execute a statement with `SQLExecute()`, the current value of any application variables that are bound to parameter markers in that statement are used.

[SQLNumResultCols\(\)](#) - Get number of result columns

`SQLNumResultCols()` returns the number of columns in the result set that is associated with the input statement handle. `SQLPrepare()` or `SQLExecDirect()` must be called before you call `SQLNumResultCols()`. After you call `SQLNumResultCols()`, you can call `SQLColAttribute()` or one of the bind column functions.

[Function return codes](#)

Every ODBC function returns a return code that indicates whether the function invocation succeeded or failed.

SQLSetColAttributes () - Set column attributes

SQLSetColAttributes () sets the data source result descriptor (column name, type, precision, scale, and nullability) for one column in the result set. If you set the data source result descriptor, Db2 ODBC does not need to obtain the descriptor information from the database management system server.

ODBC specifications for SQLSetColAttributes ()

Table 208. SQLSetColAttributes () specifications		
ODBC specification level	In X/Open CLI CAE specification?	In ISO CLI specification?
No	No	No

Syntax

```
SQLRETURN SQLSetColAttributes (SQLHSTMT      hstmt,
                               SQLUSMALLINT   icol,
                               SQLCHAR FAR     *pszColName,
                               SQLSMALLINT     cbColName,
                               SQLSMALLINT     fSqlType,
                               SQLINTEGER      cbColDef,
                               SQLSMALLINT     ibScale,
                               SQLSMALLINT     fNullable);
```

Function arguments

The following table lists the data type, use, and description for each argument in this function.

Table 209. SQLSetColAttributes () arguments			
Data type	Argument	Use	Description
SQLHSTMT	<i>hstmt</i>	input	Statement handle.
SQLUSMALLINT	<i>icol</i>	input	Column number of result data, ordered sequentially left to right, starting at 1.
SQLCHAR *	<i>szColName</i>	input	Pointer to the column name. If the column is unnamed or is an expression, this pointer can be set to NULL, or an empty string can be used.
SQLSMALLINT	<i>cbColName</i>	input	The length, in bytes, of <i>szColName</i> buffer.

Table 209. *SQLSetColAttributes()* arguments (continued)

Data type	Argument	Use	Description
SQLSMALLINT	<i>fSqlType</i>	input	<p>The SQL data type of the column. The following values are recognized:</p> <ul style="list-style-type: none"> • SQL_BIGINT • SQL_BINARY • SQL_BLOB • SQL_CHAR • SQL_CLOB • SQL_DBCLOB • SQL_DECFLOAT • SQL_DECIMAL • SQL_DOUBLE • SQL_FLOAT • SQL_GRAPHIC • SQL_INTEGER • SQL_LONGVARBINARY • SQL_LONGVARCHAR • SQL_LONGVARGRAPHIC • SQL_NUMERIC • SQL_REAL • SQL_ROWID • SQL_SMALLINT • SQL_TYPE_DATE • SQL_TYPE_TIME • SQL_TYPE_TIMESTAMP • SQL_TYPE_TIMESTAMP_WITH_TIMEZONE • SQL_VARBINARY • SQL_VARCHAR • SQL_VARGRAPHIC • SQL_XML
SQLINTEGER	<i>cbColDef</i>	input	The precision of the column on the data source. If <i>fSqlType</i> is SQL_XML, ODBC ignores <i>cbColDef</i> .
SQLSMALLINT	<i>ibScale</i>	input	The scale of the column on the data source. This is ignored for all data types except SQL_DECIMAL, SQL_NUMERIC, SQL_TYPE_TIMESTAMP.
SQLSMALLINT	<i>fNullable</i>	input	<p>Indicates whether the column allows null values. This must be one of the following values:</p> <ul style="list-style-type: none"> • SQL_NO_NULLS - the column does not allow null values. • SQL_NULLABLE - the column allows null values.

Usage

This function is designed to help reduce the amount of network traffic that can result when an application is fetching result sets that contain an extremely large number of columns. If the application has advanced knowledge of the characteristics of the descriptor information of a result set (that is, the exact number of columns, column name, data type, nullability, precision, or scale), then it can inform Db2 ODBC rather than having Db2 ODBC obtain this information from the database, thus reducing the quantity of network traffic.

An application typically calls `SQLSetColAttributes()` after a call to `SQLPrepare()` and before the associated call to `SQLExecute()`. An application can also call `SQLSetColAttributes()` before a call to `SQLExecDirect()`. This function is valid only after the statement attribute `SQL_NODESCRIBE` has been set to `SQL_NODESCRIBE_ON` for this statement handle.

`SQLSetColAttributes()` informs Db2 ODBC of the column name, type, and length that would be generated by the subsequent execution of the query. This information allows Db2 ODBC to determine whether any data conversion is necessary when the result is returned to the application.

Recommendation: Use this function only if you know the exact nature of the result set.

The application must provide the result descriptor information for every column in the result set or an error occurs on the subsequent fetch (`SQLSTATE 07002`). Using this function only benefits those applications that handle an extremely large number (hundreds) of columns in a result set. Otherwise the effect is minimal.

Return codes

After you call `SQLSetColAttributes()`, it returns one of the following values:

- `SQL_SUCCESS`
- `SQL_SUCCESS_WITH_INFO`
- `SQL_ERROR`
- `SQL_INVALID_HANDLE`

Diagnostics

The following table lists each `SQLSTATE` that this function generates, with a description and explanation for each value.

Table 210. `SQLSetColAttributes()` `SQLSTATE`s

SQLSTATE	Description	Explanation
01004	Data truncated.	The <i>szColName</i> argument contains a column name that is too long. To obtain the maximum length of the column name, call <code>SQLGetInfo</code> with the <i>InfoType</i> <code>SQL_MAX_COLUMN_NAME_LEN</code> .
08S01	Communication link failure.	The communication link between the application and data source fails before the function completes.
24000	Invalid cursor state.	A cursor is open on the statement handle.
HY000	General error.	An error occurred for which there is no specific <code>SQLSTATE</code> and for which no implementation defined <code>SQLSTATE</code> is defined. The error message returned by <code>SQLGetDiagRec()</code> in the argument <i>szErrorMsg</i> describes the error and its cause.
HY001	Memory allocation failure.	Db2 ODBC is not able to allocate the required memory to support the execution or the completion of the function.
HY004	Invalid SQL data type.	The value specified for the argument <i>fSqlType</i> is not a valid SQL data type.

Table 210. *SQLSetColAttributes()* SQLSTATEs (continued)

SQLSTATE	Description	Explanation
HY010	Function sequence error.	The function is called during a data-at-execute operation. (That is, the function is called during a procedure that uses the <code>SQLParamData()</code> or <code>SQLPutData()</code> functions.)
HY013	Unexpected memory handling error.	Db2 ODBC is not able to access the memory that is required to support execution or completion of the function.
HY090	Invalid string or buffer length.	The value specified for the argument <i>cbColName</i> is less than 0 and not equal to <code>SQL_NTS</code> .
HY099	Nullable type out of range.	The value specified for <i>fNullable</i> is invalid.
HY104	Invalid precision value.	This SQLSTATE is returned for one or more of the following reasons: <ul style="list-style-type: none"> • The value specified for <i>fSqlType</i> is either <code>SQL_DECIMAL</code> or <code>SQL_NUMERIC</code> and the value specified for <i>cbColDef</i> is less than 1, or the value specified for <i>ibScale</i> is less than 0 or greater than the value for the argument <i>cbColDef</i> (precision). • The value specified for <i>fSqlType</i> is <code>SQL_TYPE_TIMESTAMP</code> and the value for <i>ibScale</i> is less than 0 or greater than 12.
HY002	Invalid column number.	The value specified for the argument <i>icol</i> is less than 1 or greater than the maximum number of columns supported by the server.

Example

The following example shows an application that uses `SQLSetColAttributes()` to set the data source results descriptor.

```

/* ... */
SQLCHAR      stmt[] =
{ "Select id, name from staff" };
/* ... */
/* Tell DB2 ODBC not to get column attribute from the server for this hstmt */
rc = SQLSetStmtAttr(hstmt,SQL_ATTR_NODESCRIBE,(void *)SQL_NODESCRIBE_ON, 0);
rc = SQLPrepare(hstmt, stmt, SQL_NTS);
/* Provide the columns attributes to DB2 ODBC for this hstmt */
rc = SQLSetColAttributes(hstmt, 1, "-ID-", SQL_NTS, SQL_SMALLINT,
                        5, 0, SQL_NO_NULLS);
rc = SQLSetColAttributes(hstmt, 2, "-NAME-", SQL_NTS, SQL_CHAR,
                        9, 0, SQL_NULLABLE);
rc = SQLExecute(hstmt);
print_results(hstmt); /* Call sample function to print column attributes
                        and fetch and print rows. */
rc = SQLFreeHandle(SQL_HANDLE_STMT, hstmt);
rc = SQLEndTran( SQL_HANDLE_DBC, hdbc, SQL_COMMIT);
printf("Disconnecting ..... \n");
rc = SQLDisconnect(hdbc);
rc = SQLFreeHandle(SQL_HANDLE_DBC, hdbc);
if (rc != SQL_SUCCESS)
    return (terminate(henv, rc));
rc = SQLFreeHandle(SQL_HANDLE_ENV, henv);
if (rc != SQL_SUCCESS)
    return (terminate(henv, rc));
return (SQL_SUCCESS);
}
/* end main */

```

Figure 31. An application that sets the data source results descriptor

Related reference

[SQLColAttribute\(\)](#) - Get column attributes

SQLColAttribute() returns descriptor information about a column in a result set. Descriptor information is returned as a character string, a 32-bit descriptor-dependent value, or an integer value.

SQLDescribeCol() - Describe column attributes

SQLDescribeCol() returns commonly used descriptor information about a column in a result set that a query generates. Before you call this function, you must call either SQLPrepare() or SQLExecDirect().

SQLExecDirect() - Execute a statement directly

SQLExecDirect() prepares and executes an SQL statement in one step.

SQLExecute() - Execute a statement

SQLExecute() executes a statement, which you successfully prepared with SQLPrepare(), once or multiple times. When you execute a statement with SQLExecute(), the current value of any application variables that are bound to parameter markers in that statement are used.

SQLPrepare() - Prepare a statement

SQLPrepare() associates an SQL statement with the input statement handle and sends the statement to the database management system where it is prepared. The application can reference this prepared statement by passing the statement handle to other functions.

Function return codes

Every ODBC function returns a return code that indicates whether the function invocation succeeded or failed.

SQLSetConnectAttr() - Set connection attributes

SQLSetConnectAttr() sets attributes that govern aspects of connections.

ODBC specifications for SQLSetConnectAttr()

ODBC specification level	In X/Open CLI CAE specification?	In ISO CLI specification?
3.0	Yes	Yes

Syntax

```
SQLRETURN SQLSetConnectAttr (SQLHDBC          ConnectionHandle,
                              SQLINTEGER      Attribute,
                              SQLPOINTER     ValuePtr,
                              SQLINTEGER      StringLength);
```

Function arguments

The following table lists the data type, use, and description for each argument in this function.

Data type	Argument	Use	Description
SQLHDBC	ConnectionHandle	input	Connection handle.
SQLINTEGER	Attribute	input	Connection attribute to set. Refer to Table 214 on page 358 for a complete list of attributes.
SQLPOINTER	ValuePtr	input	Pointer to the value to be associated with Attribute. Depending on the value of Attribute, *ValuePtr will be a 32-bit unsigned integer value or point to a nul-terminated character string. If the Attribute argument is a driver-specific value, the value in *ValuePtr might be a signed integer.

Table 212. *SQLSetConnectAttr()* arguments (continued)

Data type	Argument	Use	Description
SQLINTEGER	<i>StringLength</i>	input	Information about the <i>*ValuePtr</i> argument. <ul style="list-style-type: none"> • For ODBC-defined attributes: <ul style="list-style-type: none"> – If <i>ValuePtr</i> points to a character string, this argument should be the length of <i>*ValuePtr</i>. – If <i>ValuePtr</i> points to an integer, <i>BufferLength</i> is ignored. • For driver-defined attributes (IBM extension): <ul style="list-style-type: none"> – If <i>ValuePtr</i> points to a character string, this argument should be the length of <i>*ValuePtr</i> or <code>SQL_NTS</code> if it is a nul-terminated string. – If <i>ValuePtr</i> points to an integer, <i>BufferLength</i> is ignored.

Usage

An application can call `SQLSetConnectAttr()` at any time between the time the connection is allocated or freed. All connection and statement attributes successfully set by the application for the connection persist until `SQLFreeHandle()` is called on the connection.

Some connection attributes can be set only before or after a connection is made. Other attributes cannot be set after a statement is allocated. The following table indicates when each of the connection attributes can be set.

Table 213. When connection attributes can be set

Attribute	Before connection	After connection	After statements are allocated
SQL_ATTR_ACCESS_MODE	Yes	Yes	Yes ^{“1”} on page 358
SQL_ATTR_AUTOCOMMIT	Yes	Yes	Yes ^{“2”} on page 358
SQL_ATTR_CLIENT_TIME_ZONE	Yes	Yes	Yes
SQL_ATTR_CONCURRENT_ACCESS_RESOLUTION	Yes	Yes	Yes
SQL_ATTR_CONNECTTYPE	Yes	No	No
SQL_ATTR_CURRENT_SCHEMA	Yes	Yes	Yes
SQL_ATTR_DB2EXPLAIN	Yes	Yes	Yes
SQL_ATTR_DECFLOAT_ROUNDING_MODE	Yes	Yes	Yes
SQL_ATTR_EXTENDED_INDICATORS	Yes	Yes	Yes
SQL_ATTR_INFO_ACCTSTR	No	Yes	Yes
SQL_ATTR_INFO_APPLNAME	No	Yes	Yes
SQL_ATTR_INFO_USERID	No	Yes	Yes
SQL_ATTR_INFO_WRKSTNNAME	No	Yes	Yes
SQL_ATTR_KEEP_DYNAMIC	No	Yes	Yes ^{“1”} on page 358, ^{“2”} on page 358

Table 213. When connection attributes can be set (continued)

Attribute	Before connection	After connection	After statements are allocated
SQL_ATTR_MAXCONN	Yes	No	No
SQL_ATTR_SESSION_TIME_ZONE	Yes	No	No
SQL_ATTR_SYNC_POINT	Yes	No	No
SQL_ATTR_TXN_ISOLATION	No	Yes	Yes

Notes:

1. Attribute only affects subsequently allocated statements.
2. Attribute can be set only if all transactions on the connections are closed.

Table 214 on page 358 lists the `SQLSetConnectAttr()` *Attribute* values. Values shown in **bold** are default values unless they are otherwise specified in the ODBC initialization file. Db2 ODBC supports all of the ODBC 2.0 *Attribute* values that are renamed in ODBC 3.0.

For a summary of the *Attribute* values renamed in ODBC 3.0, refer to "Changes to `SQLSetConnectAttr()` attributes".

ODBC applications that need to set statement attributes should use `SQLSetStmtAttr()`. The ability to set statement attributes on the connect level is supported, but it is not recommended.

Table 214. Connection attributes

Attribute	ValuePtr
SQL_ATTR_ACCESS_MODE	<p>A 32-bit integer value which can be either:</p> <p>SQL_MODE_READ_ONLY Indicates that the application is not performing any updates on data from this point on. Therefore, a less restrictive isolation level and locking can be used on transactions; that is, uncommitted read (<code>SQL_TXN_READ_UNCOMMITTED</code>).</p> <p>Db2 ODBC does not ensure that requests to the database are <i>read-only</i>. If an update request is issued, Db2 ODBC processes it using the transaction isolation level it selected as a result of the <code>SQL_MODE_READ_ONLY</code> setting.</p> <p>SQL_MODE_READ_WRITE Indicates that the application is making updates on data from this point on. Db2 ODBC goes back to using the default transaction isolation level for this connection.</p> <p><code>SQL_MODE_READ_WRITE</code> is the default.</p> <p>This connection must have no outstanding transactions.</p>

Table 214. Connection attributes (continued)

Attribute	ValuePtr
SQL_ATTR_AUTOCOMMIT ¹	<p data-bbox="646 237 1435 296">A 32-bit integer value that specifies whether to use autocommit or manual commit mode:</p> <p data-bbox="646 315 946 340">SQL_AUTOCOMMIT_OFF</p> <p data-bbox="688 346 1406 405">The application must manually, explicitly commit or rollback transactions with <code>SQLEndTran()</code> calls.</p> <p data-bbox="646 424 935 449">SQL_AUTOCOMMIT_ON</p> <p data-bbox="688 455 1443 606">Db2 ODBC operates in autocommit mode. Each statement is implicitly committed. Each statement, that is not a query, is committed immediately after it has been executed. Each query is committed immediately after the associated cursor is closed. This is the default value.</p> <p data-bbox="688 625 1448 684">Exception: If the connection is a coordinated distributed unit of work connection, the default is SQL_AUTOCOMMIT_OFF.</p> <p data-bbox="688 703 1459 831">When specifying autocommit, the application can have only one outstanding statement per connection. For example, two cursors cannot be open, otherwise unpredictable results can occur. An open cursor must be closed before another query is executed.</p> <p data-bbox="646 850 1471 1001">Because in many Db2 environments the execution of the SQL statements and the commit can be flowed separately to the database server, autocommit can be expensive. The application developer should take this into consideration when selecting the autocommit mode.</p> <p data-bbox="646 1020 1430 1079">Changing from manual-commit to autocommit mode commits any open transaction on the connection.</p> <p data-bbox="646 1098 1406 1157">For information about setting this attribute see the topic <i>Disable autocommit to reduce network flow</i>.</p>
SQL_ATTR_CLIENT_TIME_ZONE	<p data-bbox="646 1186 1398 1245">A null-terminated character string in the format $\pm hh:mm$. The supported time zone values range from -12:59 through +14:00.</p> <p data-bbox="646 1264 1455 1388">SQL_ATTR_CLIENT_TIME_ZONE can be set on the connection and statement handle. When set on a connection handle, the attribute value will be the default for every statement handle that is allocated on the connection.</p>

Table 214. Connection attributes (continued)

Attribute	ValuePtr
SQL_ATTR_CONCURRENT_ACCESS_RESOLUTION	<p>A 32-bit integer value that specifies how the application resolves concurrent access to locked data:</p> <p>0 No setting. This is the default value.</p> <p>1 USE CURRENTLY COMMITTED. Read transactions can access the currently committed version of the data when the data is in the process of being updated or deleted. Rows that are in the process of being inserted are skipped. After this value is set through SQLSetConnectAttr(), all user SELECT statements for that connection are prepared with the USE CURRENTLY COMMITTED attribute. This option applies only when cursor stability (CS) isolation is in effect.</p> <p>2 WAIT FOR OUTCOME. Read transactions that require access to data that is in the process of being updated or deleted must wait for a COMMIT or ROLLBACK operation to complete. Rows in the process of being inserted are not skipped. After this value is set through SQLSetConnectAttr(), all user SELECT statements for that connection are prepared with the WAIT FOR OUTCOME attribute.</p> <p>3 SKIP LOCKED DATA. Read transactions can skip any rows that are incompatibly locked by other transactions. After this value is set through SQLSetConnectAttr(), all user SELECT statements for that connection are prepared with the SKIP LOCKED DATA attribute. This option applies only when cursor stability or read stability (RS) or cursor stability (CS) isolation are in effect.</p> <p>SQL_ATTR_CONCURRENT_ACCESS_RESOLUTION can be set before or after a connection is made. It can also be set after statements are allocated, however it will only affect subsequently allocated statements.</p>

Table 214. Connection attributes (continued)

Attribute	ValuePtr
SQL_ATTR_CONNECTTYPE ²	<p data-bbox="646 237 1463 390">A 32-bit integer value that specifies whether this application is to operate in a coordinated or uncoordinated distributed environment. If the processing needs to be coordinated, then this attribute must be considered in conjunction with the SQL_ATTR_SYNC_POINT connection attribute. The possible values are:</p> <p data-bbox="646 411 980 436">SQL_CONCURRENT_TRANS</p> <p data-bbox="688 443 1442 596">The application can have concurrent multiple connections to any one database or to multiple databases. This attribute value corresponds to the specification of the type 1 CONNECT in embedded SQL. Each connection has its own commit scope. No effort is made to enforce coordination of transaction.</p> <p data-bbox="688 617 1430 674">The current setting of the SQL_ATTR_SYNC_POINT attribute is ignored.</p> <p data-bbox="688 695 906 720">This is the default.</p> <p data-bbox="646 741 992 766">SQL_COORDINATED_TRANS</p> <p data-bbox="688 772 1455 993">The application wants to have commit and rollbacks coordinated among multiple database connections. This attribute value corresponds to the specification of the type 2 CONNECT in embedded SQL and must be considered in conjunction with the SQL_ATTR_SYNC_POINT connection attribute. In contrast to the SQL_CONCURRENT_TRANS setting described above, the application is permitted only one open connection per database.</p> <p data-bbox="688 1014 1357 1104">Important: This connection type results in the default for SQL_ATTR_AUTOCOMMIT connection attribute to be SQL_AUTOCOMMIT_OFF.</p> <p data-bbox="646 1125 1352 1182">This attribute must be set before making a connect request; otherwise, the SQLSetConnectAttr() call is rejected.</p> <p data-bbox="646 1203 1463 1325">All the connections within an application must have the same SQL_ATTR_CONNECTTYPE and SQL_ATTR_SYNC_POINT values. The first connection determines the acceptable attributes for the subsequent connections.</p> <p data-bbox="646 1346 1317 1371">IBM specific: This attribute is an IBM-defined extension.</p> <p data-bbox="646 1392 1458 1581">Recommendation: Have the application set the SQL_ATTR_CONNECTTYPE attribute at the environment level rather than on a per connection basis. ODBC applications written to take advantage of coordinated Db2 transactions must set these attributes at the connection level for each connection as SQLSetEnvAttr() is not supported in ODBC.</p>

Table 214. Connection attributes (continued)

Attribute	ValuePtr
SQL_ATTR_CURRENT_SCHEMA	<p>A nul-terminated character string containing the name of the schema to be used by Db2 ODBC for the <code>SQLColumns()</code> call if the <code>szSchemaName</code> pointer is set to null.</p> <p>To reset this attribute, specify this attribute with a zero length or a null pointer for the <code>vParam</code> argument.</p> <p>This attribute is useful when the application developer has coded a generic call to <code>SQLColumns()</code> that does not restrict the result set by schema name, but needs to constrain the result set at isolated places in the code.</p> <p>This attribute can be set at any time and is effective on the next <code>SQLColumns()</code> call where the <code>szSchemaName</code> pointer is null.</p> <p>IBM specific: This attribute is an IBM-defined extension.</p>
SQL_ATTR_DB2EXPLAIN	<p>A 32-bit integer value that specifies whether EXPLAIN information should be gathered. This attribute sets the CURRENT EXPLAIN MODE special register. You can specify one of the following values:</p> <p>SQL_DB2EXPLAIN_OFF Sets the CURRENT EXPLAIN MODE special register to NO, which disables the EXPLAIN facility.</p> <p>SQL_DB2EXPLAIN_MODE_ON Sets the CURRENT EXPLAIN MODE special register to YES, which enables the EXPLAIN facility.</p> <p>If you enable the EXPLAIN facility, you must meet the following requirements:</p> <ul style="list-style-type: none">• The EXPLAIN tables must exist.• The current authorization ID must have INSERT privilege for the EXPLAIN tables. <p>The new <code>SQL_ATTR_DB2EXPLAIN</code> setting is effective on the next statement preparation for this connection.</p> <p>Alternatively, you can set the CURRENT EXPLAIN MODE special register for ODBC applications by using the <code>DB2EXPLAIN</code> initialization keyword or the <code>SET CURRENT EXPLAIN MODE SQL</code> statement. If you want to set the CURRENT EXPLAIN MODE special register to EXPLAIN, you must use the <code>SET CURRENT EXPLAIN MODE SQL</code> statement.</p> <p>IBM specific: This attribute is an IBM-defined extension.</p>

Table 214. Connection attributes (continued)

Attribute	ValuePtr
SQL_ATTR_DECFLOAT_ROUNDING_MODE	<p>A 32-bit integer value that lets an application control the rounding mode for DECFLOAT data type values. Possible values are:</p> <p>ROUND_HALF_EVEN Round to the nearest integer. If the value is equidistant from two integers, round so that the final digit is even.</p> <p>ROUND_HALF_UP Round to the nearest integer. If the value is equidistant from two integers, round up.</p> <p>ROUND_DOWN Round toward 0. This is equivalent to truncation.</p> <p>ROUND_CEILING Round toward positive infinity.</p> <p>ROUND_FLOOR Round toward negative infinity.</p> <p>ROUND_HALF_DOWN Round to the nearest integer. If the value is equidistant from two integers, round down.</p> <p>ROUND_UP Round away from zero.</p>
SQL_ATTR_EXTENDED_INDICATORS	<p>A 32-bit integer value that overrides the EXTENDEDINDICATOR initialization keyword value.</p> <p>SQL_TRUE Extended indicator support will be enabled.</p> <p>SQL_FALSE Extended indicator support is not enabled. SQL_FALSE is the default value.</p>
SQL_ATTR_INFO_ACCTSTR	<p>A null-terminated character string used to identify the client accounting string to the host database.</p> <p>The length of the attribute value must not exceed 255 characters. Some servers might not be able to handle the entire length of the value provided and might truncate it. If truncation occurs, users will not see any truncation warnings.</p> <p>To reset this attribute, specify this attribute with a zero length.</p> <p>This attribute is ignored if MVSATTACHTYPE=CAF is specified in the initialization file, the application created a Db2 thread using CAF before invoking Db2 ODBC, or the application is a stored procedure.</p>

Table 214. Connection attributes (continued)

Attribute	ValuePtr
SQL_ATTR_INFO_APPLNAME	<p>A null-terminated character string used to identify the client accounting string to the host database.</p> <p>The length of the attribute value must not exceed 255 characters. Some servers might not be able to handle the entire length of the value provided and might truncate it. If truncation occurs, users will not see any truncation warnings.</p> <p>To reset this attribute, specify this attribute with a zero length.</p> <p>This attribute is ignored if MVSATTACHTYPE=CAF is specified in the initialization file, the application created a Db2 thread using CAF before invoking Db2 ODBC, or the application is a stored procedure.</p>
SQL_ATTR_INFO_USERID	<p>A null-terminated character string used to identify the client accounting string to the host database.</p> <p>The length of the attribute value must not exceed 128 characters. Some servers might not be able to handle the entire length of the value provided and might truncate it. If truncation occurs, users will not see any truncation warnings.</p> <p>To reset this attribute, specify this attribute with a zero length.</p> <p>This attribute is ignored if MVSATTACHTYPE=CAF is specified in the initialization file, the application created a Db2 thread using CAF before invoking Db2 ODBC, or the application is a stored procedure.</p>
SQL_ATTR_INFO_WRKSTNNAME	<p>A null-terminated character string used to identify the client accounting string to the host database.</p> <p>The length of the attribute value must not exceed 255 characters. Some servers might not be able to handle the entire length of the value provided and might truncate it. If truncation occurs, users will not see any truncation warnings.</p> <p>To reset this attribute, specify this attribute with a zero length.</p> <p>This attribute is ignored if MVSATTACHTYPE=CAF is specified in the initialization file, the application created a Db2 thread using CAF before invoking Db2 ODBC, or the application is a stored procedure.</p>
SQL_ATTR_KEEP_DYNAMIC	<p>A 32-bit integer value that specifies whether the KEEP_DYNAMIC bind option is enabled. When this option is enabled, the data source keeps dynamically prepared statements in a prepared state across transaction boundaries</p> <p>0 KEEP_DYNAMIC functionality is not available. ODBC packages were bound with KEEP_DYNAMIC(NO) option. 0 is the default value.</p> <p>1 KEEP_DYNAMIC functionality is available. ODBC packages were bound with KEEP_DYNAMIC(YES) option.</p> <p>This attribute is supported only for access to Db2 for z/OS data sources.</p>

Table 214. Connection attributes (continued)

Attribute	ValuePtr
SQL_ATTR_MAXCONN ³	<p>A 32-bit integer value corresponding to the number of maximum concurrent connections that an application wants to set up. The default value is 0, which means no maximum - the application is allowed to set up as many connections as the system resources permit. The integer value must be 0 or a positive number.</p> <p>This can be used as a governor for the maximum number of connections on a per application basis.</p> <p>The value that is in effect when the first connection is established is the value that is used. When the first connection is established, attempts to change this value are rejected.</p> <p>IBM specific: This attribute is an IBM-defined extension.</p> <p>Recommendation: Have the application set SQL_ATTR_MAXCONN at the environment level rather than on a connection basis. ODBC applications must set this attribute at the connection level because SQLSetEnvAttr() is not supported in ODBC.</p>
SQL_ATTR_SESSION_TIME_ZONE	<p>A null-terminated character string in the format ±hh:mm, containing the server session time zone information. The supported time zone values range from -12:59 through +14:00.</p> <p>This attribute must be set before making a connect request; otherwise, the SQLSetConnectAttr() call is rejected.</p>
SQL_ATTR_SYNC_POINT	<p>A 32-bit integer value that allows the application to choose between one-phase coordinated transactions and two-phase coordinated transactions. The possible values are:</p> <p>SQL_ONEPHASE The Db2 ODBC 3.0 driver does not support SQL_ONEPHASE.</p> <p>SQL_TWOPHASE Two-phase commit is used to commit the work done by each database in a multiple database transaction. This requires the use of a transaction manager to coordinate two-phase commits among the databases that support this protocol. Multiple readers and multiple updaters are allowed within a transaction. This attribute is only used when SQL_ATTR_CONNECTTYPE attribute is SQL_COORDINATED_TRANS. Then SQL_TWOPHASE is the default. This attribute is ignored when SQL_ATTR_CONNECTTYPE is set to SQL_CONCURRENT_TRANS.</p> <p>This attribute must be set before a connect request. Otherwise the attribute set request is rejected.</p> <p>All the connections within an application must have the same SQL_ATTR_CONNECTTYPE and SQL_ATTR_SYNC_POINT values. The first connection determines the acceptable attributes for the subsequent connections.</p> <p>Recommendation: Ensure that your application sets the SQL_ATTR_CONNECTTYPE attribute at the environment level rather than at a connection level.</p>

Table 214. Connection attributes (continued)

Attribute	ValuePtr
SQL_ATTR_TXN_ISOLATION ⁴	<p>A 32-bit bit mask that sets the transaction isolation level for the current connection referenced by <i>hdbc</i>. The valid values for <i>vParam</i> can be determined at run time by calling <code>SQLGetInfo()</code> with <i>InfoType</i> set to <code>SQL_TXN_ISOLATION_OPTION</code>. The following values are accepted by Db2 ODBC, but each server might only support a subset of these isolation levels:</p> <p>SQL_TXN_READ_UNCOMMITTED Dirty reads, reads that cannot be repeated, and phantoms are possible.</p> <p>SQL_TXN_READ_COMMITTED Dirty reads are not possible. Reads that cannot be repeated, and phantoms are possible. This is the default.</p> <p>SQL_TXN_REPEATABLE_READ Dirty reads and reads that cannot be repeated are not possible. Phantoms are possible.</p> <p>SQL_TXN_SERIALIZABLE Transactions can be serialized. Dirty reads, non-repeatable reads, and phantoms are not possible.</p> <p>SQL_TXN_NOCOMMIT Any changes are effectively committed at the end of a successful operation; no explicit commit or rollback is allowed. This is analogous to autocommit. This is not an ANSI/ISO SQL standard of 1992 isolation level, but an IBM defined extension, supported only by Db2 for i.</p> <p>In IBM terminology,</p> <ul style="list-style-type: none"> • <code>SQL_TXN_READ_UNCOMMITTED</code> is "uncommitted read." • <code>SQL_TXN_READ_COMMITTED</code> is "cursor stability." • <code>SQL_TXN_REPEATABLE_READ</code> is "read stability." • <code>SQL_TXN_SERIALIZABLE</code> is "repeatable read." <p>This attribute cannot be specified while there is an open cursor on any statement handle, or an outstanding transaction for this connection; otherwise, <code>SQL_ERROR</code> is returned on the function call (<code>SQLSTATE HY011</code>).</p> <p>Tip: An IBM extension enables you to set transaction isolation levels on each individual statement handle. See the <code>SQL_ATTR_STMTTXN_ISOLATION</code> attribute in the function description for <code>SQLSetStmtAttr()</code>.</p>

Table 214. Connection attributes (continued)

Attribute	ValuePtr
Notes:	
1. You can change the default value for this attribute with the AUTOCOMMIT keyword in the ODBC initialization file.	
2. You can change the default value for this attribute with the CONNECTTYPE keyword in the ODBC initialization file.	
3. You can change the default value for this attribute with the MAXCONN keyword in the ODBC initialization file.	
4. You can change the default value for this attribute with the TXNISOLATION keyword in the ODBC initialization file.	

Return codes

After you call `SQLSetConnectAttr()`, it returns one of the following values:

- SQL_SUCCESS
- SQL_INVALID_HANDLE
- SQL_ERROR

Diagnostics

The following table lists each SQLSTATE that this function generates, with a description and explanation for each value.

Table 215. `SQLSetConnectAttr()` SQLSTATES

SQLSTATE	Description	Explanation
01000	Warning.	Informational message. (<code>SQLSetConnectAttr()</code> returns <code>SQL_SUCCESS_WITH_INFO</code> for this SQLSTATE.)
01S02	Option value changed.	<code>SQL_ATTR_SYNC_POINT</code> changed to <code>SQL_TWOPHASE</code> . <code>SQL_ONEPHASE</code> is not supported.
08S01	Unable to connect to data source.	The communication link between the application and the data source failed before the function completed.
08003	Connection is closed.	An <i>Attribute</i> value is specified that requires an open connection, but the <i>ConnectionHandle</i> is not in a connected state.
HY001	Memory allocation failure.	Db2 ODBC is not able to allocate memory for the specified handle.
HY009	Invalid use of a null pointer.	A null pointer is passed for <i>ValuePtr</i> and the value in <i>*ValuePtr</i> is a string value.
HY010	Function sequence error.	<code>SQLExecute()</code> or <code>SQLExecDirect()</code> is called with the statement handle, and returned <code>SQL_NEED_DATA</code> . This function is called before data is sent for all data-at-execution parameters or columns. Invoke <code>SQLCancel()</code> to cancel the data-at-execution condition.
HY011	Operation invalid at this time.	The argument <i>Attribute</i> is <code>SQL_ATTR_TXN_ISOLATION</code> and a transaction is open.
HY024	Invalid attribute value.	Given the specified <i>Attribute</i> value, an invalid value is specified in <i>*ValuePtr</i> .

Table 215. *SQLSetConnectAttr()* SQLSTATEs (continued)

SQLSTATE	Description	Explanation
HY090	Invalid string or buffer length.	The <i>StringLength</i> argument is less than 0, but is not SQL_NTS.
HY092	Option type out of range.	The value specified for the argument <i>Attribute</i> is not valid for this version of Db2 ODBC.
HYC00	Driver not capable.	The value specified for the argument <i>Attribute</i> is a valid connection or statement attribute for this version of the Db2 ODBC driver, but is not supported by the data source.

Example

The following example uses `SQLConnectAttr()` to set statement attribute values:

```
rc=SQLSetConnectAttr( hdbc,SQL_ATTR_AUTOCOMMIT,
                    (void*) SQL_AUTOCOMMIT_OFF, SQL_NTS);
CHECK_HANDLE( SQL_HANDLE_DBC, hdbc, rc );
```

Related concepts

[Extended indicators in ODBC applications](#)

ODBC applications can use extended indicators to update all columns in UPDATE, INSERT, and MERGE statements without specifying the current value of columns that do not require changes.

[Disable autocommit to reduce network flow](#)

Generally, to reduce network flow, you should set the `SQL_ATTR_AUTOCOMMIT` connection attribute to `SQL_AUTOCOMMIT_OFF`. Each commit request can generate extra network flow.

[Set isolation levels for maximum concurrency and data consistency](#)

Isolation levels determine the level of locking that is required to execute a statement and the level of concurrency that is possible in your application. You need to choose isolation levels for your application that maximize concurrency and that also ensure data consistency.

[Distributed unit of work \(Introduction to Db2 for z/OS\)](#)

Related tasks

[Improving concurrency for applications that tolerate incomplete results \(Db2 Performance\)](#)

[Accessing currently committed data to avoid lock contention \(Db2 Performance\)](#)

Related reference

[Changes to SQLSetConnectAttr\(\) attributes](#)

For `SQLSetConnectAttr()` attributes, the ODBC driver supports both ODBC 2.0 and ODBC 3.0 values.

[SQLAllocHandle\(\) - Allocate a handle](#)

`SQLAllocHandle()` allocates an environment handle, a connection handle, or a statement handle.

[SQLGetConnectAttr\(\) - Get current attribute setting](#)

`SQLGetConnectAttr()` returns the current setting of a connection attribute and also allows you to set these attributes.

[Function return codes](#)

Every ODBC function returns a return code that indicates whether the function invocation succeeded or failed.

[SQLSetStmtAttr\(\) - Set statement attributes](#)

`SQLSetStmtAttr()` sets attributes that are related to a statement. To set an attribute for all statements that are associated with a specific connection, an application can call `SQLSetConnectAttr()`.

[Db2 ODBC initialization keywords](#)

Db2 ODBC initialization keywords control the run time environment for Db2 ODBC applications.

[isolation-clause \(Db2 SQL\)](#)

SQLSetConnection() - Set connection handle

SQLSetConnection() is needed if the application needs to deterministically switch to a particular connection before continuing execution. Use this function only when your application mixes Db2 ODBC function calls with embedded SQL function calls and makes multiple database connections.

ODBC specifications for SQLSetConnection()

ODBC specification level	In X/Open CLI CAE specification?	In ISO CLI specification?
No	No	No

Syntax

```
SQLRETURN SQLSetConnection (SQLHDBC          hdbc);
```

Function arguments

The following table lists the data type, use, and description for each argument in this function.

Table 217. SQLSetConnection() arguments

Data type	Argument	Use	Description
SQLHDBC	<i>hdbc</i>	input	The connection handle associated with the connection to which the application wants to switch.

Usage

ODBC allows multiple concurrent connections. It is not clear which connection an embedded SQL routine uses when invoked. In practice, the embedded routine uses the connection associated with the most recent network activity. However, from the application's perspective, this is not always easy to determine and it is difficult to keep track of this information. SQLSetConnection() is used to allow the application to *explicitly* specify which connection is active. The application can then call the embedded SQL routine.

SQLSetConnection() is not needed at all if the application makes purely Db2 ODBC calls. This is because each statement handle is implicitly associated with a connection handle and there is never any confusion as to which connection a particular Db2 ODBC function applies.

Important: To mix Db2 ODBC with embedded SQL, you must not enable Db2 ODBC support for multiple contexts. The initialization file for mixed applications must specify MULTICONTEXT=0 or exclude MULTICONTEXT keyword.

Return codes

After you call SQLSetConnection(), it returns one of the following values:

- SQL_SUCCESS
- SQL_ERROR
- SQL_INVALID_HANDLE

Diagnostics

The following table lists each SQLSTATE that this function generates, with a description and explanation for each value.

Table 218. *SQLSetConnection()* SQLSTATES

SQLSTATE	Description	Explanation
08003	Connection is closed.	The connection handle provided is not currently associated with an open connection to a database server.
HY000	General error.	An error occurred for which there is no specific SQLSTATE and for which the implementation does not define an SQLSTATE. SQLGetDiagRec() returns an error message in the argument <i>szErrorMsg</i> that describes the error and its cause.

Example

The topic *Using arrays to pass parameter values* contains an example that demonstrates how to invoke *SQLSetConnection()*.

Related concepts

[Using arrays to pass parameter values](#)

Db2 ODBC provides an array input method for updating Db2 tables.

[Embedded SQL and Db2 ODBC in the same program](#)

You can combine embedded static SQL with Db2 ODBC to write a mixed application. For 64-bit applications, you cannot use embedded static SQL statements.

Related reference

[SQLConnect\(\) - Connect to a data source](#)

SQLConnect() establishes a connection to the target database. The application must supply a target SQL database. You must use *SQLAllocHandle()* to allocate a connection handle before you can call *SQLConnect()*. Subsequently, you must call *SQLConnect()* before you allocate a statement handle.

[SQLDriverConnect\(\) - Use a connection string to connect to a data source](#)

SQLDriverConnect() is an alternative to *SQLConnect()*. Both functions establish a connection to the target database, but *SQLDriverConnect()* supports additional connection parameters.

[Function return codes](#)

Every ODBC function returns a return code that indicates whether the function invocation succeeded or failed.

SQLSetConnectOption() - Set connection option

This function is deprecated and is replaced by *SQLSetConnectAttr()*. You cannot use *SQLSetConnectOption()* for 64-bit applications.

ODBC specifications for SQLSetConnectOption()

ODBC specification level	In X/Open CLI CAE specification?	In ISO CLI specification?
1.0 (Deprecated)	Yes	No

Syntax

```
SQLRETURN SQLSetConnectOption(
    SQLHDBC          hdbc,
    SQLUSMALLINT     fOption,
    SQLUINTEGER       vParam);
```


Function arguments

The following table lists the data type, use, and description for each argument in this function.

Table 220. *SQLSetConnectOption* arguments

Data type	Argument	Use	Description
HDBC	<i>hdbc</i>	input	Connection handle.
SQLUSMALLINT	<i>fOption</i>	input	Connect attribute to set.
SQLINTEGER	<i>vParam</i>	input	Value associated with <i>fOption</i> . Depending on the attribute, this can be a 32-bit integer value, or a pointer to a nul-terminated string.

Related reference

`SQLSetConnectAttr()` - Set connection attributes

`SQLSetConnectAttr()` sets attributes that govern aspects of connections.

SQLSetCursorName() - Set cursor name

`SQLSetCursorName()` associates a cursor name with the statement handle. This function is optional because Db2 ODBC implicitly generates a cursor name when each statement handle is allocated.

ODBC specifications for SQLSetCursorName()

Table 221. *SQLSetCursorName()* specifications

ODBC specification level	In X/Open CLI CAE specification?	In ISO CLI specification?
1.0	Yes	Yes

Syntax

```
SQLRETURN SQLSetCursorName (SQLHSTMT hstmt,  
                             SQLCHAR FAR *szCursor,  
                             SQLSMALLINT cbCursor);
```

Function arguments

The following table lists the data type, use, and description for each argument in this function.

Table 222. *SQLSetCursorName()* arguments

Data type	Argument	Use	Description
SQLHSTMT	<i>hstmt</i>	input	Statement handle
SQLCHAR *	<i>szCursor</i>	input	Cursor name
SQLSMALLINT	<i>cbCursor</i>	input	The length, in bytes, of contents of <i>szCursor</i> argument

Usage

Db2 ODBC always generates and uses an internally generated cursor name when a query is prepared or executed directly. `SQLSetCursorName()` allows an application defined cursor name to be used in an SQL statement (a positioned UPDATE or DELETE). Db2 ODBC maps this name to the internal name. The name remains associated with the statement handle, until the handle is dropped, or another `SQLSetCursorName()` is called on this statement handle.

Although `SQLGetCursorName()` returns the name set by the application (if one is set), error messages that are associated with positioned UPDATE and DELETE statements refer to the internal name.

Recommendation: Do not use `SQLSetCursorName()`. Instead, use the internal name, which you can obtain by calling `SQLGetCursorName()`.

Cursor names must follow these rules:

- All cursor names within the connection must be unique.
- Each cursor name must be less than or equal to 18 bytes in length. Any attempt to set a cursor name longer than 18 bytes results in truncation of that cursor name to 18 bytes. (No warning is generated.)
- Because internally generated names begin with `SQLCUR`, `SQL_CUR`, or `SQLCURQRS`, the application must not input a cursor name starting with either `SQLCUR` or `SQL_CUR` in order to avoid conflicts with internal names.
- Because a cursor name is considered an identifier in SQL, it must begin with an English letter (a-z, A-Z) followed by any combination of digits (0-9), English letters or the underscore character (`_`).
- To permit cursor names containing characters other than those listed above (such as National Language Set or Double-Byte Character Set characters), the application must enclose the cursor name in double quotes (`"`).
- Unless the input cursor name is enclosed in double quotes, all leading and trailing blanks from the input cursor name string are removed.

For efficient processing, applications should not include any leading or trailing spaces in the `szCursor` buffer. If the `szCursor` buffer contains a delimited identifier, applications should position the first double quote as the first character in the `szCursor` buffer.

Return codes

After you call `SQLSetCursorName()`, it returns one of the following values:

- `SQL_SUCCESS`
- `SQL_ERROR`
- `SQL_INVALID_HANDLE`

Diagnostics

The following table lists each SQLSTATE that this function generates, with a description and explanation for each value.

Table 223. `SQLSetCursorName()` SQLSTATES

SQLSTATE	Description	Explanation
08S01	Communication link failure.	The communication link between the application and data source fails before the function completes.
34000	Invalid cursor name.	This SQLSTATE is returned for one or more of the following reasons: <ul style="list-style-type: none"> • The cursor name specified by the argument <code>szCursor</code> is invalid. The cursor name either begins with <code>SQLCUR</code>, <code>SQL_CUR</code>, or <code>SQLCURQRS</code> or violates the cursor naming rules (Must begin with a-z or A-Z followed by any combination of English letters, digits, or the <code>'_'</code> character. • The cursor name specified by the argument <code>szCursor</code> already exists. • The cursor name length is greater than the value returned by <code>SQLGetInfo()</code> with the <code>SQL_MAX_CURSOR_NAME_LEN</code> argument.

Table 223. *SQLSetCursorName()* SQLSTATEs (continued)

SQLSTATE	Description	Explanation
58004	Unexpected system failure.	Unrecoverable system error.
HY001	Memory allocation failure.	Db2 ODBC is not able to allocate the required memory to support the execution or the completion of the function.
HY009	Invalid use of a null pointer.	<i>szCursor</i> is a null pointer.
HY010	Function sequence error.	This SQLSTATE is returned for one or more of the following reasons: <ul style="list-style-type: none"> • There is an open or positioned cursor on the statement handle. • The function is called during a data-at-execute operation. (That is, the function is called during a procedure that uses the <i>SQLParamData()</i> or <i>SQLPutData()</i> functions.)
HY013	Unexpected memory handling error.	Db2 ODBC is not able to access the memory that is required to support execution or completion of the function.
HY090	Invalid string or buffer length.	The argument <i>cbCursor</i> is less than 0 , but not equal to <i>SQL_NTS</i> .

Example

The following example shows an application that uses *SQLSetCursorName()* to set a cursor name.

```

/* ... */
SQLCHAR          sqlstmt[] =
                  "SELECT name, job FROM staff "
                  "WHERE job='Clerk' FOR UPDATE OF job";
/* ... */
/* Allocate second statement handle for update statement */
rc2 = SQLAllocHandle(SQL_HANDLE_STMT, hdbc, &hstmt2);
/* Set Cursor for the SELECT statement handle */
rc = SQLSetCursorName(hstmt1, "JOBCURS", SQL_NTS);
rc = SQLExecDirect(hstmt1, sqlstmt, SQL_NTS);
/* bind name to first column in the result set */
rc = SQLBindCol(hstmt1, 1, SQL_C_CHAR, (SQLPOINTER) name.s, 10,
                &name.ind);
/* bind job to second column in the result set */
rc = SQLBindCol(hstmt1, 2, SQL_C_CHAR, (SQLPOINTER) job.s, 6,
                &job.ind);
printf("Job change for all clerks\n");
while ((rc = SQLFetch(hstmt1)) == SQL_SUCCESS) {
    printf("Name: %-9.9s Job: %-5.5s \n", name.s, job.s);
    printf("Enter new job or return to continue\n");
    gets(newjob);
    if (newjob[0] != '\0') {
        sprintf(updstmt,
                "UPDATE staff set job = '%s' where current of JOBCURS",
                newjob);
        rc2 = SQLExecDirect(hstmt2, updstmt, SQL_NTS);
    }
}
if (rc != SQL_NO_DATA_FOUND)
    check_error(henv, hdbc, hstmt1, rc, __LINE__, __FILE__);
/* ... */

```

Figure 32. An application that sets a cursor name

Related reference

[SQLGetCursorName\(\)](#) - Get cursor name

SQLGetCursorName() returns the name of the cursor that is associated with a statement handle. If you explicitly set a cursor name with *SQLSetCursorName()*, the name that you specified in a call to

SQLSetCursorName() is returned. If you do not explicitly set a name, SQLGetCursorName() returns the implicitly generated name for that cursor.

Function return codes

Every ODBC function returns a return code that indicates whether the function invocation succeeded or failed.

SQLSetEnvAttr() - Set environment attributes

SQLSetEnvAttr() sets attributes that affects all connections in an environment.

ODBC specifications for SQLSetEnvAttr()

Table 224. SQLSetEnvAttr() specifications		
ODBC specification level	In X/Open CLI CAE specification?	In ISO CLI specification?
No	Yes	Yes

Syntax

```
SQLRETURN SQLSetEnvAttr (SQLHENV EnvironmentHandle,
                          SQLINTEGER Attribute,
                          SQLPOINTER ValuePtr,
                          SQLINTEGER StringLength);
```

Function arguments

The following table lists the data type, use, and description for each argument in this function.

Table 225. SQLSetEnvAttr() arguments			
Data type	Argument	Use	Description
SQLHENV	EnvironmentHandle	input	Environment handle.
SQLINTEGER	Attribute	input	Environment attribute to set. See Table 226 on page 375 for the list of attributes and their descriptions.
SQLPOINTER	ValuePtr	input	The value for Attribute.
SQLINTEGER	StringLength	input	The length of ValuePtr in bytes if the attribute value is a character string. If Attribute does not denote a string, Db2 ODBC ignores StringLength.

Usage

When set, the attribute value affects all connections in this environment.

The application can obtain the current attribute value by calling SQLGetEnvAttr().

[Table 226 on page 375](#) lists the SQLSetEnvAttr() Attribute values. The values that are shown in **bold** are default values.

Attribute values were renamed in ODBC 3.0. For a summary of the Attributes renamed in ODBC 3.0, refer to "Changes to SQLSetEnvAttr() attributes".

Table 226. Environment attributes

Attribute	Contents
SQL_ATTR_ODBC_VERSION	<p data-bbox="591 237 1446 327">A 32-bit integer that determines whether certain functionality exhibits ODBC 2.0 behavior or ODBC 3.0 behavior. This value cannot be changed while any connection handles are allocated.</p> <p data-bbox="591 348 1330 375">The following values are used to set the value of this attribute:</p> <ul data-bbox="591 396 1438 919" style="list-style-type: none"><li data-bbox="591 396 1438 653">• SQL_OV_ODBC3: Causes the following ODBC 3.0 behavior:<ul data-bbox="613 443 1438 653" style="list-style-type: none"><li data-bbox="613 443 1438 506">– Db2 ODBC returns and expects ODBC 3.0 data type codes for date, time, and timestamp.<li data-bbox="613 516 1438 579">– Db2 ODBC returns ODBC 3.0 SQLSTATE codes when <code>SQLGetDiagRec()</code> is called.<li data-bbox="613 590 1438 653">– The <i>CatalogName</i> argument in a call to <code>SQLTables()</code> accepts a search pattern.<li data-bbox="591 663 1438 919">• SQL_OV_ODBC2 causes the following ODBC 2.x behavior:<ul data-bbox="613 705 1438 919" style="list-style-type: none"><li data-bbox="613 705 1438 768">– Db2 ODBC returns and expects ODBC 2.x data type codes for date, time, and timestamp.<li data-bbox="613 779 1438 842">– Db2 ODBC returns ODBC 2.0 SQLSTATE codes when <code>SQLGetDiagRec()</code> or <code>SQLERROR()</code> are called.<li data-bbox="613 852 1438 919">– The <i>CatalogName</i> argument in a call to <code>SQLTables()</code> does not accept a search pattern.
SQL_ATTR_INFO_ACCTSTR	<p data-bbox="591 951 1446 1014">A null-terminated character string used to identify the client accounting string to the host database.</p> <p data-bbox="591 1035 1446 1161">The length of the attribute value must not exceed 255 characters. Some servers might not be able to handle the entire length of the value provided and might truncate it. If truncation occurs, users will not see any truncation warnings.</p> <p data-bbox="591 1182 1330 1209">To reset this attribute, specify this attribute with a zero length.</p> <p data-bbox="591 1230 1446 1314">This attribute is ignored if <code>MVSATTACHTYPE=CAF</code> is specified in the initialization file, the application created a Db2 thread using CAF before invoking Db2 ODBC, or the application is a stored procedure.</p>
SQL_ATTR_INFO_APPLNAME	<p data-bbox="591 1346 1446 1409">A null-terminated character string used to identify the client accounting string to the host database.</p> <p data-bbox="591 1430 1446 1556">The length of the attribute value must not exceed 255 characters. Some servers might not be able to handle the entire length of the value provided and might truncate it. If truncation occurs, users will not see any truncation warnings.</p> <p data-bbox="591 1577 1330 1604">To reset this attribute, specify this attribute with a zero length.</p> <p data-bbox="591 1625 1446 1709">This attribute is ignored if <code>MVSATTACHTYPE=CAF</code> is specified in the initialization file, the application created a Db2 thread using CAF before invoking Db2 ODBC, or the application is a stored procedure.</p>

Table 226. Environment attributes (continued)

Attribute	Contents
SQL_ATTR_INFO_USERID	<p>A null-terminated character string used to identify the client accounting string to the host database.</p> <p>The length of the attribute value must not exceed 128 characters. Some servers might not be able to handle the entire length of the value provided and might truncate it. If truncation occurs, users will not see any truncation warnings.</p> <p>To reset this attribute, specify this attribute with a zero length.</p> <p>This attribute is ignored if MVSATTACHTYPE=CAF is specified in the initialization file, the application created a Db2 thread using CAF before invoking Db2 ODBC, or the application is a stored procedure.</p>
SQL_ATTR_INFO_WRKSTNNAME	<p>A null-terminated character string used to identify the client accounting string to the host database.</p> <p>The length of the attribute value must not exceed 255 characters. Some servers might not be able to handle the entire length of the value provided and might truncate it. If truncation occurs, users will not see any truncation warnings.</p> <p>To reset this attribute, specify this attribute with a zero length.</p> <p>This attribute is ignored if MVSATTACHTYPE=CAF is specified in the initialization file, the application created a Db2 thread using CAF before invoking Db2 ODBC, or the application is a stored procedure.</p>
SQL_ATTR_OUTPUT_ANTS	<p>A 32-bit integer value which controls the use of nul-termination in output arguments. The possible values are:</p> <ul style="list-style-type: none"><li data-bbox="584 1092 1429 1165">• SQL_TRUE: Db2 ODBC uses nul-termination to indicate the length of output character strings. This is the default.<li data-bbox="584 1218 1364 1291">• SQL_FALSE: Db2 ODBC does not use nul-termination in output character strings. <p>The CLI functions affected by this attribute are all functions called for the environment (and for any connections and statements allocated under the environment) that have character string parameters.</p> <p>This attribute can only be set when no connection handles are allocated under the environment handle.</p>

Table 226. Environment attributes (continued)

Attribute	Contents
SQL_ATTR_CONNECTTYPE ¹	<p data-bbox="591 233 1463 323">A 32-bit integer value that specifies whether this application is to operate in a coordinated or uncoordinated distributed environment. The possible values are:</p> <ul data-bbox="591 348 1463 751" style="list-style-type: none"><li data-bbox="591 348 1463 569">• SQL_CONCURRENT_TRANS: Each connection has its own commit scope. No effort is made to enforce coordination of transaction. If an application issues a commit using the environment handle on <code>SQLEndTran()</code> and not all of the connections commit successfully, the application is responsible for recovery. This corresponds to <code>CONNECT (type 1)</code> semantics subject to the restrictions described in <i>Db2 ODBC restrictions on the ODBC connection model</i>. <p data-bbox="591 590 829 615">This is the default.</p> <ul data-bbox="591 632 1463 751" style="list-style-type: none"><li data-bbox="591 632 1463 751">• SQL_COORDINATED_TRANS: The application wants to have commit and rollbacks coordinated among multiple database connections. In contrast to the <code>SQL_CONCURRENT_TRANS</code> setting described above, the application is permitted only one open connection per database. <p data-bbox="591 772 1398 831">This attribute must be set before allocating any connection handles, otherwise, the <code>SQLSetEnvAttr()</code> call is rejected.</p> <p data-bbox="591 852 1414 942">All the connections within an application must have the same <code>SQL_ATTR_CONNECTTYPE</code> and <code>SQL_ATTR_SYNC_POINT</code> values. This attribute can also be set using the <code>SQLSetConnectAttr()</code> function.</p> <p data-bbox="591 963 1268 989">IBM specific: This attribute is an IBM-defined extension.</p> <p data-bbox="591 1010 1446 1199">Recommendation: Have the application set the <code>SQL_ATTR_CONNECTTYPE</code> attribute at the environment level rather than on a per connection basis. ODBC applications written to take advantage of coordinated Db2 transactions must set these attributes at the connection level for each connection using <code>SQLSetConnectAttr()</code> as <code>SQLSetEnvAttr()</code> is not supported in ODBC.</p>
SQL_ATTR_MAXCONN ²	<p data-bbox="591 1226 1463 1381">A 32-bit integer value corresponding to the number that maximum concurrent connections that an application wants to set up. The default value is 0, which means no maximum - the application is allowed to set up as many connections as the system resources permit. The integer value must be 0 or a positive number.</p> <p data-bbox="591 1402 1446 1461">This can be used as a governor for the maximum number of connections on a per application basis.</p> <p data-bbox="591 1482 1430 1572">The value that is in effect when the first connection is established is the value that is used. When the first connection is established, attempts to change this value are rejected.</p> <p data-bbox="591 1593 1268 1619">IBM specific: This attribute is an IBM-defined extension.</p> <p data-bbox="591 1640 1463 1764">Recommendation: Have the application set <code>SQL_ATTR_MAXCONN</code> at the environment level rather than on a connection basis. ODBC applications must set this attribute at the connection level because this attribute is not supported in ODBC.</p>

Table 226. Environment attributes (continued)

Attribute	Contents
Notes:	
1. You can change the default value for this attribute with the CONNECTTYPE keyword in the ODBC initialization file.	
2. You can change the default value for this attribute with the MAXCONN keyword in the ODBC initialization file.	

Return codes

After you call `SQLSetEnvAttr()`, it returns one of the following values:

- `SQL_SUCCESS`
- `SQL_INVALID_HANDLE`
- `SQL_ERROR`

Diagnostics

The following table lists each `SQLSTATE` that this function generates, with a description and explanation for each value.

Table 227. `SQLSetEnvAttr()` `SQLSTATES`

SQLSTATE	Description	Explanation
HY009	Invalid use of a null pointer.	A null pointer is passed for <i>ValuePtr</i> and the value in <i>*ValuePtr</i> is a string value.
HY011	Operation invalid at this time.	Applications cannot set environment attributes while connection handles are allocated on the environment handle.
HY024	Invalid attribute value.	Given the specified <i>Attribute</i> value, an invalid value is specified in <i>*ValuePtr</i> .
HY090	Invalid string or buffer length.	The <i>StringLength</i> argument is less than 0, but is not <code>SQL_NTS</code> .
HY092	Option type out of range.	The value specified for the argument <i>Attribute</i> is not valid for this version of Db2 ODBC.
HYC00	Driver not capable.	The specified <i>Attribute</i> is not supported by Db2 ODBC. Given specified <i>Attribute</i> value, the value specified for the argument <i>ValuePtr</i> is not supported.

Example

The following example uses `SQLSetEnvAttr()` to set an environment attribute. Also, see the topic [Functions for establishing a distributed unit-of-work connection](#).

```
SQLINTEGER output_nts,autocommit;
rc = SQLSetEnvAttr( henv,
                   SQL_ATTR_OUTPUT_NTS,
                   ( SQLPOINTER ) output_nts,
                   0
                 );
CHECK_HANDLE( SQL_HANDLE_ENV, henv, rc );
```

Related concepts

[Functions for establishing a distributed unit-of-work connection](#)

You establish distributed unit of work connections when you call `SQLSetEnvAttr()` or `SQLSetConnectAttr()` with `SQL_ATTR_CONNECTTYPE` set to `SQL_COORDINATED_TRANS`.

Db2 ODBC restrictions on the ODBC connection model

Db2 ODBC does not fully support the ODBC connection model if the initialization file does not specify `MULTICONTEXT=1`.

Related reference

Changes to `SQLSetEnvAttr()` attributes

For `SQLSetEnvAttr()` attributes, the ODBC driver supports both ODBC 2.0 and ODBC 3.0 values.

`SQLAllocHandle()` - Allocate a handle

`SQLAllocHandle()` allocates an environment handle, a connection handle, or a statement handle.

`SQLGetEnvAttr()` - Return current setting of an environment attribute

`SQLGetEnvAttr()` returns the current setting for an environment attribute. You can also use the `SQLSetEnvAttr()` function to set these attributes.

Function return codes

Every ODBC function returns a return code that indicates whether the function invocation succeeded or failed.

`SQLSetStmtAttr()` - Set statement attributes

`SQLSetStmtAttr()` sets attributes that are related to a statement. To set an attribute for all statements that are associated with a specific connection, an application can call `SQLSetConnectAttr()`.

Db2 ODBC initialization keywords

Db2 ODBC initialization keywords control the run time environment for Db2 ODBC applications.

SQLSetParam() - Bind a parameter marker to a buffer

`SQLSetParam()` is a deprecated function and is replaced with `SQLBindParameter()`.

ODBC specifications for `SQLSetParam()`

ODBC	X/OPEN CLI	ISO CLI
1.0 (Deprecated)	Yes	No

Example

Suppose that a program contains the following statement:

```
rc = SQLSetParam(hstmt, 1, SQL_C_LONG, SQL_INTEGER,
0, 0, Prod_Num, NULL);
```

To get the same result with `SQLBindParameter()`, use this code:

```
rc = SQLBindParameter(hstmt, 1, SQL_PARAM_INPUT, SQL_C_LONG, SQL_INTEGER,
0, 0, Prod_Num, 0, NULL);
```

Related reference

`SQLBindParameter()` - Bind a parameter marker to a buffer or LOB locator

SQLBindParameter() binds parameter markers to application variables and extends the capability of the SQLSetParam() function.

SQLSetPos - Set the cursor position in a rowset

SQLSetPos() sets the cursor position in a rowset. Once the cursor is set, the application can refresh, update, and delete data in the rows.

ODBC specifications for SQLSetPos()

Table 229. SQLSetPos() specifications		
ODBC specification level	In X/Open CLI CAE specification?	In ISO CLI specification?
1.0	Yes	Yes

Syntax

```
SQLRETURN SQLSetPos (
    SQLHSTMT
    SQLSETPOSIROW
    SQLUSMALLINT
    SQLUSMALLINT
    StatementHandle,
    RowNumber,
    Operation,
    LockType);
```

Function arguments

Table 230. SQLSetPos arguments

Data type	Argument	Use	Description
SQLHSTMT	StatementHandle	input	Statement handle.
SQLUSMALLINT	RowNumber	input	Position in the rowset of the row on which the operation that is specified by Operation is performed. If RowNumber is 0, the operation applies to every row in the rowset.
SQLUSMALLINT	Operation	input	<p>Operation to perform:</p> <ul style="list-style-type: none"> SQL_POSITION SQL_REFRESH SQL_UPDATE SQL_DELETE SQL_ADD <p>ODBC also specifies the following operations for backwards compatibility only, which Db2 ODBC also supports:</p> <ul style="list-style-type: none"> SQL_ADD <p>Although Db2 ODBC supports SQL_ADD in SQLSetPos() calls, this function is deprecated. Use SQLBulkOperations() with an Operation value of SQL_ADD instead.</p>

Table 230. *SQLSetPos* arguments (continued)

Data type	Argument	Use	Description
SQLUSMALLINT	<i>LockType</i>	input	<p>Specifies how to lock the row after performing the operation that is specified in the <i>Operation</i> argument. Db2 ODBC supports SQL_LOCK_NO_CHANGE.</p> <p>ODBC also specifies the following operations, which Db2 ODBC does not support:</p> <ul style="list-style-type: none"> • SQL_LOCK_EXCLUSIVE • SQL_LOCK_UNLOCK

Usage

RowNumber argument: The *RowNumber* argument specifies the number of the row in the rowset on which to perform the operation that is specified by the *Operation* argument. If *RowNumber* is 0, the operation applies to every row in the rowset. *RowNumber* must be a value between 0 and the number of rows in the rowset, inclusive.

In the C language, arrays are 0-based, but the *RowNumber* argument 1-based. For example, to update the fifth row of the rowset, an application modifies the rowset buffers at array index 4, but specifies a *RowNumber* of 5.

An application can specify a cursor position when it calls `SQLSetPos()`. Generally, the application calls `SQLSetPos()` with the `SQL_POSITION` or `SQL_REFRESH` operation to position the cursor before executing a positioned update or delete statement or calling `SQLGetData()`.

Operation argument: To determine which options are supported by a data source, an application calls `SQLGetInfo()` with one of the following information types, depending on the type of cursor:

- `SQL_FORWARD_ONLY_CURSOR_ATTRIBUTES1`
- `SQL_DYNAMIC_CURSOR_ATTRIBUTES1`
- `SQL_STATIC_CURSOR_ATTRIBUTES1`

Operation can have one of the following values:

SQL_POSITION

Db2 ODBC positions the cursor on the row specified by *RowNumber*.

The contents of the row status array that is pointed to by the `SQL_ATTR_ROW_STATUS_PTR` statement attribute are unchanged. The contents of the row operation array that is pointed to by the `SQL_ATTR_ROW_OPERATION_PTR` statement attribute are ignored.

SQL_REFRESH

Db2 ODBC positions the cursor on the row that is specified by *RowNumber*, and refreshes data in the rowset buffers for that row. For more information about how Db2 ODBC returns data in the rowset buffers, see the descriptions of row-wise and column-wise binding. Db2 ODBC supports only static cursors on `SQL_REFRESH`.

`SQLSetPos()` with an *Operation* value of `SQL_REFRESH` updates the status and content of the rows within the current fetched rowset. The data in the buffers is refreshed, *but not refetched*, so the membership in the rowset is fixed.

The contents of the row status array that is pointed to by the `SQL_ATTR_ROW_STATUS_PTR` statement attribute are also refreshed.

SQL_UPDATE

Db2 ODBC positions the cursor on the row that is specified by *RowNumber*, and updates the underlying row of data with the values in the rowset buffers (the *rgbValue* argument in

SQLBindCol(). SQLSetPos() retrieves the lengths of the data from the length or indicator buffers (the *pcbValue* argument in SQLBindCol()). If the length of any column is SQL_COLUMN_IGNORE, the column is not updated.

After the row is updated, the corresponding element of the row status array is updated to SQL_ROW_UPDATED or SQL_ROW_SUCCESS_WITH_INFO, if the row status array exists.

The row operation array that is pointed to by the SQL_ATTR_ROW_OPERATION_PTR statement attribute can be used to indicate that a row in the current rowset should be ignored during a bulk update.

SQL_DELETE

Db2 ODBC positions the cursor on the row that is specified by *RowNumber*, and deletes the underlying row of data.

The corresponding element of the row status array, which is pointed to by the SQL_ATTR_ROW_STATUS_PTR statement attribute, is changed to SQL_ROW_DELETED.

The row operation array that is pointed to by the SQL_ATTR_ROW_OPERATION_PTR statement attribute can be used to indicate that a row in the current rowset should be ignored during a bulk delete.

SQL_ADD

Db2 ODBC specifies the SQL_ADD value for backward compatibility only.

Recommendation: Instead of calling SQLPos() with the SQL_ADD value, use the ODBC 3.0 function SQLBulkOperations(), with the *Operation* argument set to SQL_ADD.

LockType argument

The *LockType* argument provides a way for applications to control concurrency. Generally, data sources that support concurrency levels and transactions support only the SQL_LOCK_NO_CHANGE value of the *LockType* argument.

Although the *LockType* argument is specified for a single statement, the lock accords the same privileges to all statements on the connection. In particular, a lock that is acquired by one statement on a connection can be unlocked by a different statement on the same connection.

ODBC defines the following *LockType* arguments. Db2 ODBC supports only SQL_LOCK_NO_CHANGE. To determine which locks are supported by a data source, an application calls SQLGetInfo() with the SQL_LOCK_TYPES information type.

Table 231. Operation values

LockType argument	Lock type
SQL_LOCK_NO_CHANGE	Ensures that the row is in the same locked or unlocked state as it was before SQLSetPos() was called. This value of <i>LockType</i> allows data sources that do not support explicit row-level locking to use the locking that is required by the current concurrency and transaction isolation levels.
SQL_LOCK_EXCLUSIVE	Not supported by Db2 ODBC. Locks the row exclusively.
SQL_LOCK_UNLOCK	Not supported by Db2 ODBC. Unlocks the row.

Status and operation arrays

The following status and operation arrays are used with SQLSetPos():

- The row status array contains status values for each row of data in the rowset. Status values are set in this array after a call to SQLFetch(), SQLFetchScroll(), or SQLSetPos().
- The row operation array contains a value for each row in the rowset, which indicates whether a call to SQLSetPos() for a bulk operation is ignored or performed. Each element in the array

is SQL_ROW_PROCEED (the default) or SQL_ROW_IGNORE. The SQL_ATTR_ROW_OPERATION_PTR statement attribute points to the row operation array.

The number of elements in the status and operation arrays should be equal to the number of rows in the rowset, as defined by the SQL_ATTR_ROW_ARRAY_SIZE statement attribute.

Return codes

After you call SQLPos(), it returns one of the following values:

- SQL_SUCCESS
- SQL_SUCCESS_WITH_INFO
- SQL_NEED_DATA
- SQL_STILL_EXECUTING
- SQL_ERROR
- SQL_INVALID_HANDLE

Diagnostics

The following table lists each SQLSTATE that this function generates, with a description and explanation for each value.

Table 232. SQLSetPos SQLSTATES

SQLSTATE	Description	Explanation
01000	Warning.	Informational message. (Function returns SQL_SUCCESS_WITH_INFO.)
01004	Data truncated.	The <i>Operation</i> argument was SQL_REFRESH, and string or binary data that was returned for a column or columns with a data type of SQL_C_CHAR or SQL_C_BINARY resulted in the truncation of non-blank character or non-NULL binary data.
01S01	Error in row.	The <i>RowNumber</i> argument was 0, and an error occurred in one or more rows when the operation that is specified with the <i>Operation</i> argument was performed. SQL_SUCCESS_WITH_INFO is returned if an error occurs at least one, but not all, rows of a multirow operation. SQL_ERROR is returned if an error occurs on a single-row operation.
01S07	Fractional truncation.	The <i>Operation</i> argument was SQL_REFRESH, the data type of the application buffer was not SQL_C_CHAR or SQL_C_BINARY, and the data that was returned to application buffers for one or more columns was truncated. For numeric data types, the fractional part of the number was truncated. For time and timestamp data types, the fractional portion of the time was truncated.
07006	Invalid conversion.	The data value of a column in the result set could not be converted to the data type that was specified by <i>fCType</i> in the call to SQLBindCol().
21S02	Degrees of derived table does not match column list.	The argument <i>Operation</i> was SQL_UPDATE, and no columns could be updated because all columns were either unbound, read-only, or the value in the bound length or indicator buffer was SQL_COLUMN_IGNORE.

Table 232. SQLSetPos SQLSTATEs (continued)

SQLSTATE	Description	Explanation
22001	String data right truncation.	The assignment of a character or binary value to a column resulted in the truncation of non-blank (for characters) or non-null (for binary) characters or bytes.
22003	Numeric value out of range.	One of the following conditions occurred: <ul style="list-style-type: none"> The argument <i>Operation</i> was SQL_UPDATE. The assignment of a numeric value to a column in the result set caused the whole (as opposed to fractional) part of the number to be truncated. The argument <i>Operation</i> was SQL_REFRESH. The numeric value for one or more bound columns could not be returned because significant digits were lost.
22008	Invalid datetime format or datetime field overflow.	One of the following conditions occurred: <ul style="list-style-type: none"> The <i>Operation</i> argument was SQL_UPDATE. A datetime arithmetic operation on data that was sent to a column in the result set resulted in a datetime field (the year, month, day, hour, minute, or second field) of the result that was outside the permissible range of values for the field, or was invalid based on the natural rules for datetime values for the Gregorian calendar. Alternatively, the assignment of a numeric value to a column in the result set caused the whole part of the number to be truncated. The <i>Operation</i> argument was SQL_REFRESH. A datetime arithmetic operation on data that was retrieved from the result set resulted in a datetime field (the year, month, day, hour, minute, or second field) of the result that was outside the permissible range of values for the field, or was invalid based on the natural rules for datetime values for the Gregorian calendar.
HY000	General error.	An error occurred for which there was no specific SQLSTATE. The error message that was returned by SQLGetDiagRec() in the *MessageText buffer describes the error and its cause.
HY001	Memory allocation failure.	Db2 ODBC was unable to allocate memory required to support execution or completion of the function. Process-level memory might have been exhausted for the application process. Consult the operating system configuration for information on process-level memory limitations.

Table 232. *SQLSetPos* SQLSTATEs (continued)

SQLSTATE	Description	Explanation
HY010	Function sequence error.	<p>One of the following conditions occurred:</p> <ul style="list-style-type: none"> The specified <i>StatementHandle</i> was not in an executed state. The function was called without a previous call of <i>SQLExecDirect()</i>, <i>SQLExecute()</i>, or a catalog function. <i>SQLExecute()</i>, <i>SQLExecDirect()</i>, or <i>SQLSetPos()</i> was called for the <i>StatementHandle</i>, and returned <i>SQL_NEED_DATA</i>. This function was called before data was sent for all data-at-execution parameters or columns. <i>SQLSetPos()</i> was called for a <i>StatementHandle</i> before <i>SQLFetchScroll()</i> was called, or after <i>SQLFetch()</i> was called, and before <i>SQLFreeStmt()</i> was called with the <i>SQL_CLOSE</i> option.
HY011	Operation invalid at this time.	The application set the <i>SQL_ATTR_ROW_STATUS_PTR</i> statement attribute. Then <i>SQLSetPos()</i> was called before <i>SQLFetch()</i> , <i>SQLFetchScroll()</i> , or <i>SQLExtendedFetch()</i> was called.
HY090	Invalid string or buffer length.	<p>One of the following conditions occurred:</p> <ul style="list-style-type: none"> The <i>Operation</i> argument was <i>SQL_ADD</i> or <i>SQL_UPDATE</i>, a data value was a null pointer, and the column length value was not 0, <i>SQL_DATA_AT_EXEC</i>, <i>SQL_COLUMN_IGNORE</i>, <i>SQL_NULL_DATA</i>, or less than or equal to <i>SQL_LEN_DATA_AT_EXEC_OFFSET</i>. The <i>Operation</i> argument was <i>SQL_ADD</i> or <i>SQL_UPDATE</i>, a data value was not a null pointer, and the column length value was less than 0, but not equal to <i>SQL_DATA_AT_EXEC</i>, <i>SQL_COLUMN_IGNORE</i>, <i>SQL_NTS</i>, or <i>SQL_NULL_DATA</i>, or less than or equal to <i>SQL_LEN_DATA_AT_EXEC_OFFSET</i>.
HY107	Row value out of range.	<p>One of the following conditions occurred:</p> <ul style="list-style-type: none"> The cursor that was associated with the <i>StatementHandle</i> was defined as forward only, so the cursor could not be positioned within the rowset. See the description for the <i>SQL_ATTR_CURSOR_TYPE</i> attribute in <i>SQLSetStmtAttr()</i>. The <i>Operation</i> argument was <i>SQL_UPDATE</i>, <i>SQL_DELETE</i>, or <i>SQL_REFRESH</i>, and the row that was identified by the <i>RowNumber</i> argument was deleted or had not been fetched. The <i>Operation</i> argument was <i>SQL_POSITION</i>, and the <i>RowNumber</i> argument was 0.
HYC00	Driver not capable.	Db2 ODBC or the data source does not support the operation that was requested in the <i>Operation</i> argument or the <i>LockType</i> argument.

Restrictions

SQL_REFRESH for dynamic scrollable cursors is not supported by Db2 ODBC.

Example

```
rc = SQLSetPos(  
    hstmt,  
    1, /* Position at the first row of the rowset. */  
    SQL_POSITION,  
    SQL_LOCK_NO_CHANGE); /* Do not change the lock state. */
```

Related concepts

The ODBC row status array

The row status array returns the status of each row in the rowset.

Related tasks

[Providing long data for bulk inserts and positioned updates](#)

To provide long data for bulk inserts or positioned updates, use `SQLBulkOperations()` or `SQLSetPos()` calls.

Related reference

[SQLBindCol\(\)](#) - Bind a column to an application variable

`SQLBindCol()` binds a column to an application variable. You can call `SQLBindCol()` once for each column in a result set from which you want to retrieve data or LOB locators.

[SQLCancel\(\)](#) - Cancel statement

`SQLCancel()` terminates an `SQLExecDirect()` or `SQLExecute()` sequence prematurely.

[SQLDescribeCol\(\)](#) - Describe column attributes

`SQLDescribeCol()` returns commonly used descriptor information about a column in a result set that a query generates. Before you call this function, you must call either `SQLPrepare()` or `SQLExecDirect()`.

[SQLExecDirect\(\)](#) - Execute a statement directly

`SQLExecDirect()` prepares and executes an SQL statement in one step.

[SQLFetch\(\)](#) - Fetch the next row

`SQLFetch()` advances the cursor to the next row of the result set and retrieves any bound columns. Columns can be bound to either the application storage or LOB locators.

[SQLNumResultCols\(\)](#) - Get number of result columns

`SQLNumResultCols()` returns the number of columns in the result set that is associated with the input statement handle. `SQLPrepare()` or `SQLExecDirect()` must be called before you call `SQLNumResultCols()`. After you call `SQLNumResultCols()`, you can call `SQLColAttribute()` or one of the bind column functions.

SQLSetStmtAttr() - Set statement attributes

`SQLSetStmtAttr()` sets attributes that are related to a statement. To set an attribute for all statements that are associated with a specific connection, an application can call `SQLSetConnectAttr()`.

ODBC specifications for SQLSetStmtAttr()

ODBC specification level	In X/Open CLI CAE specification?	In ISO CLI specification?
3.0	Yes	Yes

Syntax

```
SQLRETURN SQLSetStmtAttr (SQLHSTMT  
                           SQLINTEGER  
                           StatementHandle,  
                           Attribute,
```


SQLPOINTER *ValuePtr*,
SQLINTEGER *StringLength*);

Function arguments

The following table lists the data type, use, and description for each argument in this function.

Table 234. *SQLSetStmtAttr()* arguments

Data type	Argument	Use	Description
SQLHSTMT	<i>StatementHandle</i>	input	Statement handle.
SQLINTEGER	<i>Attribute</i>	input	Statement attribute to set. Refer to Table 235 on page 388 for a complete list of attributes.
SQLPOINTER	<i>ValuePtr</i>	input	Pointer to the value to be associated with <i>Attribute</i> . Depending on the value of <i>Attribute</i> , <i>ValuePtr</i> will be a 32-bit unsigned integer value or point to a nul-terminated character string. If the <i>Attribute</i> argument is a driver-specific value, the value in <i>ValuePtr</i> might be a signed integer.
SQLINTEGER	<i>StringLength</i>	input	Information about the <i>*ValuePtr</i> argument. <ul style="list-style-type: none">• For ODBC-defined attributes:<ul style="list-style-type: none">– If <i>ValuePtr</i> points to a character string, this argument should be the length of <i>*ValuePtr</i>.– If <i>ValuePtr</i> points to an integer, <i>BufferLength</i> is ignored.• For driver-defined attributes (IBM extension):<ul style="list-style-type: none">– If <i>ValuePtr</i> points to a character string, this argument should be the length of <i>*ValuePtr</i> or <code>SQL_NTS</code> if it is a nul-terminated string.– If <i>ValuePtr</i> points to an integer, <i>BufferLength</i> is ignored.

Usage

Statement attributes for a statement remain in effect until they are changed by another call to `SQLSetStmtAttr()` or until the statement is dropped by calling `SQLFreeHandle()`. Calling `SQLFreeStmt()` with the `SQL_CLOSE`, `SQL_UNBIND` or the `SQL_RESET_PARAMS` attribute does not reset statement attributes.

Some statement attributes support substitution of a similar value if the data source does not support the value specified in **ValuePtr*. In such cases, Db2 ODBC returns `SQL_SUCCESS_WITH_INFO` and `SQLSTATE 01S02` (attribute value changed). To determine the substituted value, an application calls `SQLGetStmtAttr()`.

The format of the information set with *ValuePtr* depends on the specified *Attribute*. `SQLSetStmtAttr()` accepts attribute information either in the format of a nul-terminated character string or a 32-bit integer value. The format of each *ValuePtr* value is noted in the attribute descriptions shown in [Table 235 on page 388](#). This format applies to the information returned for each attribute in `SQLGetStmtAttr()`. Character strings that the *ValuePtr* argument of `SQLSetStmtAttr()` point to have a length of *StringLength*.

Db2 ODBC supports all of the ODBC 2.0 *Attribute* values that are renamed in ODBC 3.0. For a summary of the *Attribute* values renamed in ODBC 3.0, refer to "Changes to `SQLSetStmtAttr()` attributes".

Overriding Db2 CCSIDs from DSNHDECP: Db2 ODBC extensions to `SQLSetStmtAttr()` allow an application to override the Unicode, EBCDIC, or ASCII CCSID settings of the Db2 subsystem to which they are currently attached, using the statement attributes `SQL_CCSID_CHAR` and `SQL_CCSID_GRAPHIC`. This extension is intended for applications that are attempting to send and receive data to and from Db2 in a CCSID that differs from the default settings in the Db2 DSNHDECP.

The CCSID override applies only to input data bound to parameter markers through `SQLBindParameter()` or `SQLBindFileToParam()`, output data that is bound to columns through `SQLBindCol()` or `SQLBindFileToCol()`, and output data that is retrieved through `SQLGetData()`.

The CCSID override applies on a statement level only. Db2 will continue to use the default CCSID settings in the Db2 DSNHDECP after the statement is dropped or if `SQL_CCSID_DEFAULT` is specified.

You can use `SQLGetStmtAttr()` to query the settings of the current statement handle CCSID override.

The following table lists each *Attribute* value `SQLSetStmtAttr()` can set. Values shown in **bold** are default values.

Table 235. Statement attributes

Attribute	ValuePtr contents
SQL_ATTR_BIND_TYPE or SQL_ATTR_ROW_BIND_TYPE	<p>A 32-bit integer value that sets the binding orientation to be used when <code>SQLExtendedFetch()</code> is called with this statement handle. <i>Column-wise binding</i> is selected by supplying the value SQL_BIND_BY_COLUMN for the argument <i>vParam</i>. <i>Row-wise binding</i> is selected by supplying a value for <i>vParam</i> specifying the length (in bytes) of the structure or an instance of a buffer into which result columns are bound.</p> <p>For row-wise binding, the length (in bytes) specified in <i>vParam</i> must include space for all of the bound columns and any padding of the structure or buffer to ensure that when the address of a bound column is incremented with the specified length, the result points to the beginning of the same column in the next row. (When using the <code>sizeof</code> operator with structures or unions in ANSI C, this behavior is guaranteed.)</p>
SQL_CCSID_CHAR	<p>A 32-bit integer value that specifies the CCSID of:</p> <ul style="list-style-type: none"> • Data that is bound to parameter markers with <code>SQLBindParameter()</code> or <code>SQLBindFileToParam()</code> • Data that is bound to columns of a result set with <code>SQLBindCol()</code> or <code>SQLBindFileToCol()</code> • Data that is retrieved with <code>SQLGetData()</code> <p>The CCSID applies to data for which the C symbolic data type is <code>SQL_C_CHAR</code> and the SQL data type is one of the following types:</p> <ul style="list-style-type: none"> • <code>SQL_CHAR</code> • <code>SQL_VARCHAR</code> • <code>SQL_LONGVARCHAR</code> • <code>SQL_CLOB</code> • <code>SQL_TYPE_DATE</code> • <code>SQL_TYPE_TIME</code> • <code>SQL_TYPE_TIMESTAMP</code> • <code>SQL_TYPE_TIMESTAMP_WITH_TIMEZONE</code>

Table 235. Statement attributes (continued)

Attribute	ValuePtr contents
SQL_CCSID_GRAPHIC	<p>A 32-bit integer value that specifies the CCSID of:</p> <ul style="list-style-type: none"> • Data that is bound to parameter markers with <code>SQLBindParameter()</code> or <code>SQLBindFileToParam()</code> • Data that is bound to columns of a result set with <code>SQLBindCol()</code> or <code>SQLBindFileToCol()</code> • Data that is retrieved with <code>SQLGetData()</code> <p>The CCSID applies to data for which the C symbolic data type is <code>SQL_C_DBCHAR</code> and the SQL data type is one of the following types:</p> <ul style="list-style-type: none"> • <code>SQL_GRAPHIC</code> • <code>SQL_VARGRAPHIC</code> • <code>SQL_LONGVARGRAPHIC</code> • <code>SQL_DBCLOB</code> • <code>SQL_TYPE_DATE</code> • <code>SQL_TYPE_TIME</code> • <code>SQL_TYPE_TIMESTAMP</code> • <code>SQL_TYPE_TIMESTAMP_WITH_TIMEZONE</code>
SQL_ATTR_CLIENT_TIME_ZONE	<p>A null-terminated character string in the format $\pm hh:mm$, containing the time zone information with values ranging from $-12:59$ and $+14:00$. Specifying this attribute overrides the client's OS default time zone.</p>
SQL_ATTR_CLOSE_BEHAVIOR	<p>A 32-bit integer value that forces the release of locks upon an underlying <code>CLOSE CURSOR</code> operation. The possible values are:</p> <ul style="list-style-type: none"> • SQL_CC_NO_RELEASE: locks are not released when the cursor on this statement handle is closed. • <code>SQL_CC_RELEASE:</code> locks are released when the cursor on this statement handle is closed. <p>Typically cursors are explicitly closed when the function <code>SQLFreeStmt()</code> is called with the <i>fOption</i> argument set to <code>SQL_CLOSE</code> or <code>SQLCloseCursor()</code> is called. In addition, the end of the transaction (when a commit or rollback is issued) can also close the cursor (depending on the <code>WITH HOLD</code> attribute currently in use).</p>

Table 235. Statement attributes (continued)

Attribute	ValuePtr contents
SQL_ATTR_CONCURRENCY	<p>A 32-bit integer value that specifies the cursor concurrency:</p> <ul style="list-style-type: none"> • SQL_CONCUR_READ_ONLY - Cursor is read-only. No updates are allowed. Supported for forward-only and static cursors. • SQL_CONCUR_LOCK - Cursor uses the lowest level of locking sufficient to ensure that the row can be updated. Supported for forward-only and dynamic cursors. <p>The default value for SQL_ATTR_CONCURRENCY is SQL_CONCUR_READ_ONLY for static and forward-only cursors. The default for dynamic cursors is SQL_CONCUR_LOCK.</p> <p>If the SQL_ATTR_CURSOR_TYPE attribute is changed to a type that does not support the current value of SQL_ATTR_CONCURRENCY, the value of SQL_ATTR_CONCURRENCY is changed at execution time, and a warning is issued when SQLExecDirect() or SQLPrepare() is called.</p> <p>If a SELECT FOR UPDATE statement is executed when the value of SQL_ATTR_CONCURRENCY is set to SQL_CONCUR_READ_ONLY, an error is returned.</p> <p>If the value of SQL_ATTR_CONCURRENCY is changed to a value that is supported for some value of SQL_ATTR_CURSOR_TYPE, but not for the current value of SQL_ATTR_CURSOR_TYPE, the value of SQL_ATTR_CURSOR_TYPE is changed at execution time, and a warning is issued when SQLExecDirect() or SQLPrepare() is called.</p> <p>If the specified concurrency is not supported by the data source, Db2 ODBC substitutes a different concurrency and returns a warning. The order of substitution depends on the cursor type:</p> <ul style="list-style-type: none"> • Forward-only: SQL_CONCUR_LOCK is substituted for SQL_CONCUR_ROWVER or SQL_CONCUR_VALUES. • Static: SQL_CONCUR_READ_ONLY is substituted for SQL_CONCUR_ROWVER or SQL_CONCUR_VALUES. • Dynamic: SQL_CONCUR_LOCK is substituted for SQL_CONCUR_ROWVER or SQL_CONCUR_VALUES. <p>Unsupported attribute values: ODBC architecture defines the following values, which are not supported by Db2 ODBC:</p> <ul style="list-style-type: none"> • SQL_CONCUR_VALUES - Cursor uses optimistic concurrency control, comparing values. • SQL_CONCUR_ROWVER - Cursor uses optimistic concurrency control. <p>If one of these values is used, SQL_SUCCESS_WITH_INFO (SQLSTATE 01S02) is returned and the option value is changed.</p>

Table 235. Statement attributes (continued)

Attribute	ValuePtr contents
SQL_ATTR_CURSOR_HOLD ¹	<p>A 32-bit integer which specifies whether the cursor associated with this statement handle is preserved in the same position as before the COMMIT operation, and whether the application can fetch without executing the statement again.</p> <ul style="list-style-type: none"> • SQL_CURSOR_HOLD_ON • SQL_CURSOR_HOLD_OFF <p>The default value when a statement handle is first allocated is SQL_CURSOR_HOLD_ON.</p> <p>This attribute cannot be specified while there is an open cursor on this statement handle.</p>
SQL_ATTR_CURSOR_SCROLLABLE	<p>A 32-bit integer that specifies the level of support that the application requires. Setting this attribute affects subsequent calls to <code>SQLExecDirect()</code> and <code>SQLExecute()</code>. The supported values are:</p> <ul style="list-style-type: none"> • SQL_NONSCROLLABLE - Scrollable cursors are not required on the statement handle. If the application calls <code>SQLFetchScroll()</code> on this handle, the only valid value of <i>FetchOrientation</i> is <code>SQL_FETCH_NEXT</code>. • <code>SQL_SCROLLABLE</code> - Scrollable cursors are required on the statement handle. When the application calls <code>SQLFetchScroll()</code>, it can specify any valid value of <i>FetchOrientation</i>, for cursor positioning in modes other than the sequential mode.
SQL_ATTR_CURSOR_SENSITIVITY	<p>A 32-bit integer that specifies whether changes that are made by other cursors are visible to the cursors on the statement handle. Setting this attribute affects subsequent calls to <code>SQLExecDirect()</code> and <code>SQLExecute()</code>. The supported values are:</p> <ul style="list-style-type: none"> • SQL_UNSPECIFIED - The cursor type, and whether changes that are made by other cursors are visible to the cursors on the statement handle, are unspecified. Cursors on the statement handle can make visible none, some or all such changes. • <code>SQL_INSENSITIVE</code> - All cursors on the statement handle show the result set without reflecting any changes that are made to it by any other cursor. Insensitive cursors are read-only. This attribute corresponds to a static cursor that has a concurrency that is read-only. • <code>SQL_SENSITIVE</code> - Corresponds to a static cursor that has a read-only concurrency.

Table 235. Statement attributes (continued)

Attribute	ValuePtr contents
SQL_ATTR_CURSOR_TYPE	<p>A 32-bit integer value that specifies the cursor type. The supported values are:</p> <ul style="list-style-type: none"> • SQL_CURSOR_FORWARD_ONLY - Cursor behaves as a forward only scrolling cursor. • SQL_CURSOR_STATIC - The data in the result set is static. • SQL_CURSOR_DYNAMIC - The cursor detects all changes in the result set. <p>These options cannot be set if there is an open cursor on the associated statement handle.</p> <p>If the specified cursor type is not supported by the data source, Db2 ODBC substitutes a different cursor type and returns a warning. For a dynamic cursor, Db2 ODBC substitutes a different cursor type, in the following order: a static cursor or a forward-only cursor.</p> <p>Unsupported attribute values: ODBC architecture defines the SQL_CURSOR_KEYSET_DRIVEN value, which is not supported by Db2 ODBC. If this value is specified, Db2 ODBC sets the statement attribute to SQL_CURSOR_STATIC or SQL_CURSOR_FORWARD_ONLY, and returns SQLSTATE 01S02 (Option value changed). In this case the application needs to call SQLGetStmtAttr() to query the value that is set.</p>
SQL_ATTR_MAX_LENGTH	<p>A 32-bit integer value corresponding to the maximum amount of data that can be retrieved from a single character or binary column. If data is truncated because the value specified for SQL_ATTR_MAX_LENGTH is less than the amount of data available, an SQLGetData() call or fetch returns SQL_SUCCESS instead of returning SQL_SUCCESS_WITH_INFO and SQLSTATE 01004 (data truncated). The default value for vParam is 0; 0 means that Db2 ODBC attempts to return all available data for character or binary type data.</p>
SQL_ATTR_MAX_ROWS	<p>A 32-bit integer value corresponding to the maximum number of rows to return to the application from a query. The default value for vParam is 0; 0 means all rows are returned.</p>
SQL_ATTR_NODESCRIBE	<p>A 32-bit integer which specifies whether Db2 ODBC should automatically describe the column attributes of the result set or wait to be informed by the application using SQLSetColAttributes().</p> <ul style="list-style-type: none"> • SQL_NODESCRIBE_OFF • SQL_NODESCRIBE_ON <p>This attribute cannot be specified while there is an open cursor on this statement handle.</p> <p>This attribute is used in conjunction with the function SQLSetColAttributes() by an application which has prior knowledge of the exact nature of the result set to be returned and which does not want to incur the extra network traffic associated with the descriptor information needed by Db2 ODBC to provide client side processing.</p> <p>IBM specific: This attribute is an IBM-defined extension.</p>

Table 235. Statement attributes (continued)

Attribute	ValuePtr contents
SQL_ATTR_NOSCAN	<p>A 32-bit integer value that specifies whether Db2 ODBC will scan SQL strings for escape clauses. The two permitted values are:</p> <ul style="list-style-type: none"> • SQL_NOSCAN_OFF - SQL strings are scanned for escape clause sequences. • SQL_NOSCAN_ON - SQL strings are not scanned for escape clauses. Everything is sent directly to the server for processing. <p>This application can choose to turn off the scanning if it never uses vendor escape sequences in the SQL strings that it sends. This eliminates some of the overhead processing associated with scanning.</p>
SQL_ATTR_PARAMOPT_ATOMIC	<p>A 32-bit integer value that determines whether the application uses atomic or non-atomic SQL for the underlying processing of multi-row insert operations. The attribute value takes effect after <code>SQLSetStmtAttr()</code> is used to specify multiple values for parameter markers for an SQL INSERT statement. Possible values are:</p> <p>SQL_ATOMIC_YES The application uses atomic SQL for the underlying processing of multi-row insert operations. This is the default.</p> <p>Specification of <code>SQL_ATOMIC_YES</code> for a connection to a server that does not support multi-row inserts results in <code>SQLSTATE 01S02</code> (option value changed). The attribute value is set to <code>SQL_ATOMIC_NO</code>.</p> <p>SQL_ATOMIC_NO The application uses non-atomic SQL for the underlying processing of multi-row insert operations.</p>
SQL_ATTR_PARAMSET_SIZE	<p>A 32-bit unsigned integer value that specifies the number of values for each parameter. If <code>SQL_ATTR_PARAMSET_SIZE</code> is greater than 1, the <i>rgbValue</i> argument in <code>SQLBindParameter()</code> points to an array of parameter values and <i>pcbValue</i> argument points to an array of lengths. The cardinality of each array is equal to the value of this field.</p>
SQL_ATTR_PARAMS_PROCESSED_PTR	<p>A 32-bit unsigned integer * field that points to a buffer in which to return the current row number. As each row of parameters is processed, this is set to the number of that row. No row number is returned if this is a null pointer.</p> <p>If the call to <code>SQLExecDirect()</code> or <code>SQLExecute()</code> that fills in the buffer pointed to by this attribute does not return <code>SQL_SUCCESS</code> or <code>SQL_SUCCESS_WITH_INFO</code>, the contents of the buffer are undefined.</p>

Table 235. Statement attributes (continued)

Attribute	ValuePtr contents
SQL_ATTR_RETRIEVE_DATA	<p>A 32-bit integer value that indicates whether Db2 ODBC should retrieve data from the database when <code>SQLFetchScroll()</code> or <code>SQLExtendedFetch()</code> is called. The possible values are:</p> <ul style="list-style-type: none"> • SQL_RD_ON: <code>SQLFetchScroll()</code> or <code>SQLExtendedFetch()</code> retrieves data after it positions the cursor to the specified location. • SQL_RD_OFF: <code>SQLFetchScroll()</code> or <code>SQLExtendedFetch()</code> does not retrieve data after it positions the cursor. By setting <code>SQL_RETRIEVE_DATA</code> to <code>SQL_RD_OFF</code>, an application can verify whether a row exists, or retrieve a bookmark for the row without incurring the overhead of retrieving rows. <p>This attribute cannot be set if the cursor is open.</p>
SQL_ATTR_ROW_ARRAY_SIZE	<p>A 32-bit integer value that specifies the number of rows in the row set. This is the number of rows that are returned by each call to <code>SQLFetchScroll()</code>. The default value is 1.</p> <p>If the specified rowset size exceeds the maximum rowset size that is supported by the data source, Db2 ODBC substitutes the maximum supported value and returns <code>SQLSTATE 01S02</code> (Option value changed).</p>
SQL_ATTR_ROW_NUMBER	<p>A 32-bit integer value that is the number of the current row in the entire result set. If the number of the current row cannot be determined, or there is no current row, Db2 ODBC returns 0. This attribute can be retrieved by a call to <code>SQLGetStmtAttr()</code>, but not set by a call to <code>SQLSetStmtAttr()</code>.</p>
SQL_ATTR_ROW_OPERATION_POINTER	<p>A 16-bit unsigned integer * value that points to an array of <code>UDWORD</code> values that are used to ignore a row when <code>SQLSetPos()</code> is used to perform a bulk operation. Each value is set to <code>SQL_ROW_PROCEED</code> (for the row to be included in the bulk operation) or <code>SQL_ROW_IGNORE</code> (for the row to be excluded from the bulk operation). During calls to <code>SQLBulkOperations()</code>, rows cannot be ignored by using this array.</p> <p>If <code>SQL_ATTR_ROW_OPERATION_POINTER</code> is set to a null pointer, Db2 ODBC does not return row status values. This attribute can be set at any time, but the new value is not used until the next time <code>SQLFetchScroll()</code> or <code>SQLSetPos()</code> is called.</p>
SQL_ATTR_ROW_STATUS_PTR	<p>A 16-bit unsigned integer * value that points to an array of <code>UWORD</code> values that contain row status values after a call to <code>SQLFetch()</code> or <code>SQLFetchScroll()</code>. The array has as many elements as there are rows in the rowset.</p> <p>If <code>SQL_ATTR_ROW_STATUS_PTR</code> is set to a null pointer, Db2 ODBC does not return row status values. This attribute can be set at any time, but the new value is not used until the next time <code>SQLFetch()</code>, <code>SQLFetchScroll()</code>, or <code>SQLSetPos()</code> is called.</p>

Table 235. Statement attributes (continued)

Attribute	ValuePtr contents
SQL_ATTR_ROWS_FETCHED_PTR	<p>A 32-bit unsigned integer * value that points to a buffer that contains the number of rows that were fetched after a call to <code>SQLFetch()</code> or <code>SQLFetchScroll()</code>. The array has as many elements as there are rows in the rowset.</p> <p>Db2 ODBC maps <code>SQL_ATTR_ROWS_FETCHED_PTR</code> to the <code>RowCountPtr</code> array in a call to <code>SQLExtendedFetch()</code>.</p>
SQL_ATTR_ROWSET_SIZE	<p>A 32-bit integer value that specifies the number of rows in the row set. A row set is the array of rows that is returned by each call to <code>SQLExtendedFetch()</code>. The default value is 1, which is equivalent to making a single <code>SQLFetch()</code> call. This attribute can be specified even when the cursor is open and becomes effective on the next <code>SQLExtendedFetch()</code> call.</p> <p>Recommendation: Use <code>SQLFetchScroll()</code> rather than <code>SQLExtendedFetch()</code>. Use the statement attribute <code>SQL_ATTR_ROW_ARRAY_SIZE</code> rather than <code>SQL_ATTR_ROWSET_SIZE</code> to set the number of rows in the rowset.</p>
SQL_ATTR_STMTTXN_ISOLATION or SQL_ATTR_TXN_ISOLATION ²	<p>A 32-bit integer value that sets the transaction isolation level for the current statement handle. This overrides the default value set at the connection level. For the permitted values, refer to the function <code>SQLSetConnectOption()</code></p> <p>This attribute cannot be set if there is an open cursor on this statement handle (SQLSTATE 24000).</p> <p>IBM specific: The value <code>SQL_ATTR_STMTTXN_ISOLATION</code> is synonymous with <code>SQL_ATTR_TXN_ISOLATION</code>. <code>SQL_ATTR_STMTTXN_ISOLATION</code> is an IBM extension to allow setting this attribute at the statement level.</p> <p>For more information about setting this attribute, refer to <i>Isolation levels for maximum concurrency and data consistency</i>.</p>
SQL_ATTR_USE_BOOKMARKS	<p>A 32-bit integer value that specifies whether an application uses bookmarks with a cursor. The only supported attribute value is <code>SQL_UB_OFF</code>, which indicates that an application does not use bookmarks with a cursor.</p> <p>Unsupported attribute value: ODBC architecture defines the <code>SQL_UB_VARIABLE</code> value, which is not supported by Db2 ODBC. <code>SQL_UB_VARIABLE</code> indicates that an application uses bookmarks with a cursor, and that the ODBC driver provides variable-length bookmarks, if they are supported.</p>

Notes:

1. You can change the default value for this attribute with the `CURSORHOLD` keyword in the ODBC initialization file.
 2. You can change the default value for this attribute with the `TXNISOLATION` keyword in the ODBC initialization file.
-

Return codes

After you call `SQLSetStmtAttr()`, it returns one of the following values:

- SQL_SUCCESS
- SQL_SUCCESS_WITH_INFO
- SQL_INVALID_HANDLE
- SQL_ERROR

Diagnostics

The following table lists each SQLSTATE that this function generates, with a description and explanation for each value.

Table 236. *SQLSetStmtAttr()* SQLSTATEs

SQLSTATE	Description	Explanation
01000	Warning.	Informational message. (<i>SQLSetStmtAttr()</i> returns SQL_SUCCESS_WITH_INFO for this SQLSTATE.)
01S02	Option value changed.	Db2 did not support the value specified in <i>*ValuePtr</i> , or the value specified in <i>*ValuePtr</i> is invalid due to SQL constraints or requirements. Therefore, Db2 ODBC substituted a similar value. (<i>SQLSetStmtAttr()</i> returns SQL_SUCCESS_WITH_INFO for this SQLSTATE.)
08S01	Unable to connect to data source.	The communication link between the application and the data source failed before the function completed.
24000	Invalid cursor state.	The <i>Attribute</i> is SQL_ATTR_CONCURRENCY and the cursor is open.
HY000	General error.	An error occurred for which no specific SQLSTATE exists. The error message returned by <i>SQLGetDiagRec()</i> in the <i>*MessageText</i> buffer describes the error and its cause.
HY001	Memory allocation failure.	Db2 ODBC is not able to allocate memory for the specified handle.
HY009	Invalid use of a null pointer.	A null pointer is passed for <i>ValuePtr</i> and the value in <i>*ValuePtr</i> is a string value.
HY010	Function sequence error.	<i>SQLExecute()</i> or <i>SQLExecDirect()</i> is called with the statement handle, and returns SQL_NEED_DATA. This function is called before data is sent for all data-at-execution parameters or columns. Invoke <i>SQLCancel()</i> to cancel the data-at-execution condition.
HY011	Operation invalid at this time.	The <i>Attribute</i> is SQL_ATTR_CONCURRENCY and the statement is prepared.
HY024	Invalid attribute value.	Given the specified <i>Attribute</i> value, an invalid value is specified in <i>*ValuePtr</i> .
HY090	Invalid string or buffer length.	The <i>StringLength</i> argument is less than 0, but is not SQL_NTS.
HY092	Option type out of range.	The value specified for the argument <i>Attribute</i> is not valid for this version of Db2 ODBC.
HYC00	Driver not capable.	The value specified for the argument <i>Attribute</i> is a valid connection or statement attribute for the version of the Db2 ODBC driver, but is not supported by the data source.

Example

The following example uses `SQLSetStmtAttr()` to set statement attributes:

```
rc = SQLSetStmtAttr( hstmt,
                    SQL_ATTR_CURSOR_HOLD,
                    ( void * ) SQL_CURSOR_HOLD_OFF,
                    0 );
CHECK_HANDLE( SQL_HANDLE_STMT, hstmt, rc );
```

Related concepts

[Disable cursor hold behavior for more efficient resource use](#)

Db2 ODBC can more efficiently use resources that are associated with statement handles if you disable cursor-hold behavior for statements that do not require it.

[Limit the number of rows that an application can fetch](#)

If a result set is too large, it might cause problems for the application. You can follow guidelines to reduce errors.

[Set isolation levels for maximum concurrency and data consistency](#)

Isolation levels determine the level of locking that is required to execute a statement and the level of concurrency that is possible in your application. You need to choose isolation levels for your application that maximize concurrency and that also ensure data consistency.

Related reference

[Changes to SQLSetStmtAttr\(\) attributes](#)

For `SQLSetStmtAttr()` attributes, the ODBC driver supports both ODBC 2.0 and ODBC 3.0 values.

[SQLCancel\(\) - Cancel statement](#)

`SQLCancel()` terminates an `SQLExecDirect()` or `SQLExecute()` sequence prematurely.

[SQLGetConnectAttr\(\) - Get current attribute setting](#)

`SQLGetConnectAttr()` returns the current setting of a connection attribute and also allows you to set these attributes.

[SQLGetStmtAttr\(\) - Get current setting of a statement attribute](#)

`SQLGetStmtAttr()` returns the current setting of a statement attribute. To set these statement attributes, use `SQLSetStmtAttr()`.

[Function return codes](#)

Every ODBC function returns a return code that indicates whether the function invocation succeeded or failed.

[SQLSetConnectAttr\(\) - Set connection attributes](#)

`SQLSetConnectAttr()` sets attributes that govern aspects of connections.

[SQLSetConnectOption\(\) - Set connection option](#)

This function is deprecated and is replaced by `SQLSetConnectAttr()`. You cannot use `SQLSetConnectOption()` for 64-bit applications.

[Db2 ODBC initialization keywords](#)

Db2 ODBC initialization keywords control the run time environment for Db2 ODBC applications.

SQLSetStmtOption() - Set statement attribute

This function is deprecated and is replaced by SQLSetStmtAttr(). You cannot use SQLSetStmtOption() for 64-bit applications.

ODBC specifications for SQLSetStmtOption()

ODBC specification level	In X/Open CLI CAE specification?	In ISO CLI specification?
1.0 (Deprecated)	Yes	No

Syntax

```
SQLRETURN SQLSetStmtOption (SQLHSTMT      hstmt,
                             SQLUSMALLINT  fOption,
                             SQLUINTEGER    vParam);
```

Function arguments

The following table lists the data type, use, and description for each argument in this function.

Data type	Argument	Use	Description
SQLHSTMT	<i>hstmt</i>	input	Statement handle.
SQLUSMALLINT	<i>fOption</i>	input	Attribute to set.
SQLUINTEGER	<i>vParam</i>	input	Value that is associated with <i>fOption</i> . <i>vParam</i> can be a 32-bit integer value or a pointer to a nul-terminated string.

Related reference

SQLSetStmtAttr() - Set statement attributes

SQLSetStmtAttr() sets attributes that are related to a statement. To set an attribute for all statements that are associated with a specific connection, an application can call SQLSetConnectAttr().

SQLSpecialColumns() - Get special (row identifier) columns

SQLSpecialColumns() returns unique row identifier information (primary key or unique index) for a table. The information is returned in an SQL result set. You can retrieve this result set with the same functions that process a result set that is generated by a query.

ODBC specifications for SQLSpecialColumns()

ODBC specification level	In X/Open CLI CAE specification?	In ISO CLI specification?
1.0	Yes	No

Syntax

```
SQLRETURN SQLSpecialColumns(SQLHSTMT      hstmt,
                             SQLUSMALLINT fColType,
                             SQLCHAR FAR   *szCatalogName,
                             SQLSMALLINT  cbCatalogName,
                             SQLCHAR FAR   *szSchemaName,
                             SQLSMALLINT  cbSchemaName,
                             SQLCHAR FAR   *szTableName,
                             SQLSMALLINT  cbTableName,
                             SQLUSMALLINT fScope,
                             SQLUSMALLINT fNullable);
```

Function arguments

The following table lists the data type, use, and description for each argument in this function.

Table 240. *SQLSpecialColumns()* arguments

Data type	Argument	Use	Description
SQLHSTMT	<i>hstmt</i>	input	Statement handle.
SQLUSMALLINT	<i>fColType</i>	input	Type of unique row identifier to return. Only the following type is supported: <ul style="list-style-type: none">SQL_BEST_ROWID, which returns the optimal set of columns that can uniquely identify any row in the specified table. Exception: For compatibility with ODBC applications, SQL_ROWVER is also recognized, but not supported; therefore, if SQL_ROWVER is specified, an empty result is returned.
SQLCHAR *	<i>szCatalogName</i>	input	Catalog qualifier of a three-part table name. This must be a null pointer or a zero-length string.
SQLSMALLINT	<i>cbCatalogName</i>	input	The length, in bytes, of <i>szCatalogName</i> . This must be a set to 0.
SQLCHAR *	<i>szSchemaName</i>	input	Schema qualifier of the specified table.
SQLSMALLINT	<i>cbSchemaName</i>	input	The length, in bytes, of <i>szSchemaName</i> .
SQLCHAR *	<i>szTableName</i>	input	Table name.
SQLSMALLINT	<i>cbTableName</i>	input	The length, in bytes, of <i>cbTableName</i> .

Table 240. *SQLSpecialColumns()* arguments (continued)

Data type	Argument	Use	Description
SQLUSMALLINT	<i>fScope</i>	input	<p>Minimum required duration for which the unique row identifier is valid.</p> <p><i>fScope</i> must be one of the following:</p> <ul style="list-style-type: none"> SQL_SCOPE_CURROW: The row identifier is guaranteed to be valid only while positioned on that row. A later re-select using the same row identifier values might not return a row if the row is updated or deleted by another transaction. SQL_SCOPE_TRANSACTION: The row identifier is guaranteed to be valid for the duration of the current transaction. This attribute is only valid if SQL_TXN_SERIALIZABLE and SQL_TXN_REPEATABLE_READ isolation attributes are set. SQL_SCOPE_SESSION: The row identifier is guaranteed to be valid for the duration of the connection. <p>Important: This attribute is not supported by Db2 for z/OS.</p> <p>The duration over which a row identifier value is guaranteed to be valid depends on the current transaction isolation level.</p>
SQLUSMALLINT	<i>fNullable</i>	input	<p>Determines whether to return special columns that can have a null value.</p> <p>Must be one of the following:</p> <ul style="list-style-type: none"> SQL_NO_NULLS - The row identifier column set returned cannot have any null values. SQL_NULLABLE - The row identifier column set returned can include columns where null values are permitted.

Usage

If multiple ways exist to uniquely identify any row in a table (that is, if the specified table is indexed with multiple unique indexes), Db2 ODBC returns the *best* set of row identifier column sets based on its internal criterion.

If no column set allows any row in the table to be uniquely identified, an empty result set is returned.

The unique row identifier information is returned in the form of a result set where each column of the row identifier is represented by one row in the result set. [Table 241 on page 401](#) shows the order of the columns in the result set returned by *SQLSpecialColumns()*, sorted by SCOPE.

Because calls to *SQLSpecialColumns()* in many cases map to a complex and thus expensive query against the system catalog, they should be used sparingly, and the results saved rather than repeating calls.

The VARCHAR columns of the catalog functions result set are declared with a maximum length attribute of 128 bytes to be consistent with ANSI/ISO SQL standard of 1992 limits. Because Db2 names are less than 128 bytes, the application can choose to always set aside 128 bytes (plus the nul-terminator) for the output buffer, or alternatively, call *SQLGetInfo()* with the SQL_MAX_COLUMN_NAME_LEN to determine the actual length of the COLUMN_NAME column supported by the connected database management system.

Although new columns might be added and the names of the columns changed in future releases, the position of the current columns does not change. The following table lists these columns.

Table 241. Columns returned by `SQLSpecialColumns()`

Column number	Column name	Data type	Description
1	SCOPE	SMALLINT	<p>The duration for which the name in COLUMN_NAME is guaranteed to point to the same row. Valid values are the same as for the <i>fScope</i> argument: Actual scope of the row identifier. Contains one of the following values:</p> <ul style="list-style-type: none"> • SQL_SCOPE_CURROW • SQL_SCOPE_TRANSACTION • SQL_SCOPE_SESSION <p>See <i>fScope</i> in Table 240 on page 399 for a description of each value.</p>
2	COLUMN_NAME	VARCHAR(128) NOT NULL	Name of the column that is (or part of) the table's primary key.
3	DATA_TYPE	SMALLINT NOT NULL	SQL data type of the column.
4	TYPE_NAME	VARCHAR(128) NOT NULL	database management system character string represented of the name associated with DATA_TYPE column value.
5	COLUMN_SIZE	INTEGER	<p>If the DATA_TYPE column value denotes a character or binary string, then this column contains the maximum length in bytes; if it is a graphic (DBCS) string, this is the number of double-byte characters for the parameter.</p> <p>For date, time, timestamp data types, this is the total number of bytes required to display the value when converted to character.</p> <p>For numeric data types, this is either the total number of digits, or the total number of bits allowed in the column, depending on the value in the NUM_PREC_RADIX column in the result set.</p>
6	BUFFER_LENGTH	INTEGER	The maximum number of bytes for the associated C buffer to store data from this column if SQL_C_DEFAULT is specified on the SQLBindCol(), SQLGetData() and SQLBindParameter() calls. This length does not include any nul-terminator. For exact numeric data types, the length accounts for the decimal and the sign.
7	DECIMAL_DIGITS	SMALLINT	The scale of the column. NULL is returned for data types where scale is not applicable.

Table 241. Columns returned by `SQLSpecialColumns()` (continued)

Column number	Column name	Data type	Description
8	PSEUDO_COLUMN	SMALLINT	<p>Indicates whether the column is a pseudo-column. Db2 ODBC only returns:</p> <ul style="list-style-type: none"> SQL_PC_NOT_PSEUDO <p>Db2 database management systems do not support pseudo columns. ODBC applications can receive the following values from other non-IBM relational database management system servers:</p> <ul style="list-style-type: none"> SQL_PC_UNKNOWN SQL_PC_PSEUDO

Return codes

After you call `SQLSpecialColumns()`, it returns one of the following values:

- SQL_SUCCESS
- SQL_SUCCESS_WITH_INFO
- SQL_ERROR
- SQL_INVALID_HANDLE

Diagnostics

The following table lists each SQLSTATE that this function generates, with a description and explanation for each value.

Table 242. `SQLSpecialColumns()` SQLSTATES

SQLSTATE	Description	Explanation
08S01	Communication link failure.	The communication link between the application and data source fails before the function completes.
24000	Invalid cursor state.	A cursor is opened on the statement handle.
HY001	Memory allocation failure.	Db2 ODBC is not able to allocate the required memory to support the execution or the completion of the function.
HY010	Function sequence error.	The function is called during a data-at-execute operation. (That is, the function is called during a procedure that uses the <code>SQLParamData()</code> or <code>SQLPutData()</code> functions.)
HY014	No more handles.	Db2 ODBC is not able to allocate a handle due to low internal resources.
HY090	Invalid string or buffer length.	<p>This SQLSTATE is returned for one or more of the following reasons:</p> <ul style="list-style-type: none"> The value of one of the length arguments is less than 0, but not equal to SQL_NTS. The value of one of the length arguments exceeded the maximum length supported by the database management system for that qualifier or name.
HY097	Column type out of range.	An invalid <code>fColType</code> value is specified.

Table 242. *SQLSpecialColumns()* SQLSTATEs (continued)

SQLSTATE	Description	Explanation
HY098	Scope type out of range.	An invalid <i>fScope</i> value is specified.
HY099	Nullable type out of range.	An invalid <i>fNullable</i> values is specified.
HYC00	Driver not capable.	Db2 ODBC does not support <i>catalog</i> as a qualifier for table name.

Example

The following example shows an application that prints a list of columns that uniquely define rows in a table. This application uses *SQLSpecialColumns()* to find these columns.

```

/* ... */
SQLRETURN
list_index_columns(SQLHDBC hdbc, SQLCHAR *schema, SQLCHAR *tablename )
{
/* ... */
    rc = SQLSpecialColumns(hstmt, SQL_BEST_ROWID, NULL, 0, schema, SQL_NTS,
                           tablename, SQL_NTS, SQL_SCOPE_CURROW, SQL_NULLABLE);
    rc = SQLBindCol(hstmt, 2, SQL_C_CHAR, (SQLPOINTER) column_name.s, 129,
                   &column_name.ind);
    rc = SQLBindCol(hstmt, 4, SQL_C_CHAR, (SQLPOINTER) type_name.s, 129,
                   &type_name.ind);
    rc = SQLBindCol(hstmt, 5, SQL_C_LONG, (SQLPOINTER) &precision,
                   sizeof(precision), &precision_ind);
    rc = SQLBindCol(hstmt, 7, SQL_C_SHORT, (SQLPOINTER) &scale,
                   sizeof(scale), &scale_ind);
    printf("Primary key or unique index for
/* Fetch each row, and display */
while ((rc = SQLFetch(hstmt)) == SQL_SUCCESS) {
    printf("%-14.14s %-14.14s \n", deptname.s, location.s);
    }
    if (precision_ind != SQL_NULL_DATA) {
        printf(" (%ld", precision);
    } else {
        printf("\n");
    }
    if (scale_ind != SQL_NULL_DATA) {
        printf(", %d)\n", scale);
    } else {
        printf(")\n");
    }
}
/* ... */

```

Figure 33. An application that prints the column set for a unique index of a table

Related reference

C and SQL data types

Db2 ODBC defines a set of SQL symbolic data types. Each SQL symbolic data type has a corresponding default C data type.

Length of SQL data types

The length of a column is the maximum number of bytes that are returned to the application when data is transferred to its default C data type.

Precision of SQL data types

The precision of a numeric column or parameter refers to the maximum number of digits that are used by the data type of the column or parameter. The precision of a non-numeric column or parameter generally refers to the maximum length or the defined length of the column or parameter.

Scale of SQL data types

The scale of a numeric column or parameter refers to the maximum number of digits to the right of the decimal point. For approximate floating-point number columns or parameters, the scale is undefined because the number of digits to the right of the decimal place is not fixed.

[SQLColumns\(\)](#) - Get column information

SQLColumns() returns a list of columns in the specified tables. The information is returned in an SQL result set, which can be retrieved by using the same functions that fetch a result set that a query generates.

Function return codes

Every ODBC function returns a return code that indicates whether the function invocation succeeded or failed.

SQLStatistics() - Get index and statistics information for a base table

SQLStatistics() retrieves index information for a specific table. It also returns the cardinality and the number of pages that are associated with the table and the indexes on the table. The information is returned in a result set. You can retrieve the result set with the same functions that process a result set that is generated by a query.

SQLTables() - Get table information

SQLTables() returns a list of table names and associated information that is stored in the system catalog of the connected data source. The list of table names is returned as a result set. You can retrieve this result set with the same functions that process a result set generated by a query.

isolation-clause (Db2 SQL)

SQLStatistics() - Get index and statistics information for a base table

SQLStatistics() retrieves index information for a specific table. It also returns the cardinality and the number of pages that are associated with the table and the indexes on the table. The information is returned in a result set. You can retrieve the result set with the same functions that process a result set that is generated by a query.

ODBC specifications for SQLStatistics()

ODBC specification level	In X/Open CLI CAE specification?	In ISO CLI specification?
1.0	Yes	No

Syntax

```
SQLRETURN SQLStatistics (SQLHSTMT          hstmt,
                          SQLCHAR          FAR *szCatalogName,
                          SQLSMALLINT     cbCatalogName,
                          SQLCHAR          FAR *szSchemaName,
                          SQLSMALLINT     cbSchemaName,
                          SQLCHAR          FAR *szTableName,
                          SQLSMALLINT     cbTableName,
                          SQLUSMALLINT    fUnique,
                          SQLUSMALLINT    fAccuracy);
```

Function arguments

The following table lists the data type, use, and description for each argument in this function.

Data type	Argument	Use	Description
SQLHSTMT	<i>hstmt</i>	input	Statement handle.
SQLCHAR *	<i>szCatalogName</i>	input	Catalog qualifier of a three-part table name. This must be a null pointer or a zero length string.

Table 244. *SQLStatistics()* arguments (continued)

Data type	Argument	Use	Description
SQLSMALLINT	<i>cbCatalogName</i>	input	The length, in bytes, of <i>cbCatalogName</i> . This must be set to 0.
SQLCHAR *	<i>szSchemaName</i>	input	Schema qualifier of the specified table.
SQLSMALLINT	<i>cbSchemaName</i>	input	The length, in bytes, of <i>szSchemaName</i> .
SQLCHAR *	<i>szTableName</i>	input	Table name.
SQLSMALLINT	<i>cbTableName</i>	input	The length, in bytes, of <i>cbTableName</i> .
SQLUSMALLINT	<i>fUnique</i>	input	Type of index information to return: <ul style="list-style-type: none"> SQL_INDEX_UNIQUE Only unique indexes are returned. SQL_INDEX_ALL All indexes are returned.
SQLUSMALLINT	<i>fAccuracy</i>	input	Indicate whether the CARDINALITY and PAGES columns in the result set contain the most current information: <ul style="list-style-type: none"> SQL_ENSURE : This value is reserved for future use, when the application requests the most up to date statistics information. Existing applications that specify this value receive the same results as SQL_QUICK. Recommendation: Do not use this value with new applications. SQL_QUICK: Statistics which are readily available at the server are returned. The values might not be current, and no attempt is made to ensure that they be up to date.

Usage

SQLStatistics() returns two types of information:

- Statistics information for the table (if statistics are available):
 - When the TYPE column in the table below is set to SQL_TABLE_STAT, the number of rows in the table and the number of pages used to store the table.
 - When the TYPE column indicates an index, the number of unique values in the index, and the number of pages used to store the indexes.
- Information about each index, where each index column is represented by one row of the result set. The result set columns are given in Table 245 on page 406 in the order shown; the rows in the result set are ordered by NON_UNIQUE, TYPE, INDEX_QUALIFIER, INDEX_NAME and ORDINAL_POSITION.

Because calls to *SQLStatistics()* in many cases map to a complex and thus expensive query against the system catalog, they should be used sparingly, and the results saved rather than repeating calls.

The VARCHAR columns of the catalog functions result set are declared with a maximum length attribute of 128 bytes to be consistent with ANSI/ISO SQL standard of 1992 limits. Because the length of Db2 names are less than 128 bytes, the application can choose to always set aside 128 bytes (plus the null-terminator) for the output buffer. Alternatively, you can call *SQLGetInfo()* with the *InfoType* argument set to each of the following values:

- SQL_MAX_CATALOG_NAME_LEN, to determine the length of TABLE_CAT columns that the connected database management system supports

- `SQL_MAX_SCHEMA_NAME_LEN`, to determine the length of `TABLE_SCHEM` columns that the connected database management system supports
- `SQL_MAX_TABLE_NAME_LEN`, to determine the length of `TABLE_NAME` columns that the connected database management system supports
- `SQL_MAX_COLUMN_NAME_LEN`, to determine the length of `COLUMN_NAME` columns that the connected database management system supports

Although new columns might be added and the names of the existing columns changed in future releases, the position of the current columns does not change. The following table lists the columns in the result set `SQLStatistics()` currently returns.

Table 245. Columns returned by `SQLStatistics()`

Column number	Column name	Data type	Description
1	TABLE_CAT	VARCHAR(128)	The is always null.
2	TABLE_SCHEM	VARCHAR(128)	The name of the schema containing TABLE_NAME.
3	TABLE_NAME	VARCHAR(128) NOT NULL	Name of the table.
4	NON_UNIQUE	SMALLINT	Indicates whether the index prohibits duplicate values: <ul style="list-style-type: none"> • <code>SQL_TRUE</code> if the index allows duplicate values. • <code>SQL_FALSE</code> if the index values must be unique. • <code>NULL</code> is returned if the <code>TYPE</code> column indicates that this row is <code>SQL_TABLE_STAT</code> (statistics information on the table itself).
5	INDEX_QUALIFIER	VARCHAR(128)	The string is used to qualify the index name in the <code>DROP INDEX</code> statement. Appending a period (.) plus the <code>INDEX_NAME</code> results in a full specification of the index.
6	INDEX_NAME	VARCHAR(128)	The name of the index. If the <code>TYPE</code> column has the value <code>SQL_TABLE_STAT</code> , this column has the value <code>NULL</code> .
7	TYPE	SMALLINT NOT NULL	Indicates the type of information contained in this row of the result set: <ul style="list-style-type: none"> • <code>SQL_TABLE_STAT</code> - Indicates this row contains statistics information on the table itself. • <code>SQL_INDEX_CLUSTERED</code> - Indicates this row contains information on an index, and the index type is a clustered index. • <code>SQL_INDEX_HASHED</code> - Indicates this row contains information on an index, and the index type is a hashed index. • <code>SQL_INDEX_OTHER</code> - Indicates this row contains information on an index, and the index type is other than clustered or hashed.

Table 245. Columns returned by `SQLStatistics()` (continued)

Column number	Column name	Data type	Description
8	ORDINAL_POSITION	SMALLINT	Ordinal position of the column within the index whose name is given in the INDEX_NAME column. A null value is returned for this column if the TYPE column has the value of SQL_TABLE_STAT.
9	COLUMN_NAME	VARCHAR(128)	Name of the column in the index. A null value is returned for this column if the TYPE column has the value of SQL_TABLE_STAT.
10	ASC_OR_DESC	CHAR(1)	Sort sequence for the column; A for ascending, D for descending. A null value is returned if the value in the TYPE column is SQL_TABLE_STAT.
11	CARDINALITY	INTEGER	<ul style="list-style-type: none"> • If the TYPE column contains the value SQL_TABLE_STAT, this column contains the number of rows in the table. • If the TYPE column value is not SQL_TABLE_STAT, this column contains the number of unique values in the index. • A null value is returned if information is not available from the database management system.
12	PAGES	INTEGER	<ul style="list-style-type: none"> • If the TYPE column contains the value SQL_TABLE_STAT, this column contains the number of pages used to store the table. • If the TYPE column value is not SQL_TABLE_STAT, this column contains the number of pages used to store the indexes. • A null value is returned if information is not available from the database management system.
13	FILTER_CONDITION	VARCHAR(128)	If the index is a filtered index, this is the filter condition. Because Db2 servers do not support filtered indexes, NULL is always returned. NULL is also returned if TYPE is SQL_TABLE_STAT.

For the row in the result set that contains table statistics (TYPE is set to SQL_TABLE_STAT), the columns values of NON_UNIQUE, INDEX_QUALIFIER, INDEX_NAME, ORDINAL_POSITION, COLUMN_NAME, and ASC_OR_DESC are set to NULL. If the CARDINALITY or PAGES information cannot be determined, then NULL is returned for those columns.

Important: The accuracy of the information returned in the SQLERRD(3) and SQLERRD(4) fields is dependent on many factors such as the use of parameter markers and expressions within the statement. The main factor which can be controlled is the accuracy of the database statistics. That is, when the statistics were last updated, (for example, for Db2 for z/OS ODBC, the last time the RUNSTATS utility was run.)

Return codes

After you call `SQLStatistics()`, it returns one of the following values:

- SQL_SUCCESS

- SQL_SUCCESS_WITH_INFO
- SQL_ERROR
- SQL_INVALID_HANDLE

Diagnostics

The following table lists each SQLSTATE that this function generates, with a description and explanation for each value.

Table 246. *SQLStatistics()* SQLSTATES

SQLSTATE	Description	Explanation
08S01	Communication link failure.	The communication link between the application and data source fails before the function completes.
24000	Invalid cursor state.	A cursor is opened on the statement handle.
HY001	Memory allocation failure.	Db2 ODBC is not able to allocate the required memory to support the execution or the completion of the function.
HY010	Function sequence error.	The function is called during a data-at-execute operation. (That is, the function is called during a procedure that uses the <code>SQLParamData()</code> or <code>SQLPutData()</code> functions.)
HY014	No more handles.	Db2 ODBC is not able to allocate a handle due to low internal resources.
HY090	Invalid string or buffer length.	This SQLSTATE is returned for one or more of the following reasons: <ul style="list-style-type: none"> • The value of one of the name length arguments is less than 0, but not equal to <code>SQL_NTS</code>. • The valid of one of the name length arguments exceeds the maximum value supported for that data source. You can obtain this maximum value with <code>SQLGetInfo()</code>.
HY100	Uniqueness option type out of range.	An invalid <i>fUnique</i> value is specified.
HY101	Accuracy option type out of range.	An invalid <i>fAccuracy</i> value is specified.
HYC00	Driver not capable.	Db2 ODBC does not support <i>catalog</i> as a qualifier for table name.

Example

The following example shows an application that prints the cardinality and the number of pages associated with a table. This application retrieves this information with `SQLStatistics()`.

```

/* ... */
SQLRETURN
list_stats(SQLHDBC hdbc, SQLCHAR *schema, SQLCHAR *tablename )
{
/* ... */
rc = SQLStatistics(hstmt, NULL, 0, schema, SQL_NTS,
                  tablename, SQL_NTS, SQL_INDEX_UNIQUE, SQL_QUICK);
rc = SQLBindCol(hstmt, 4, SQL_C_SHORT,
                &non_unique, 2, &non_unique_ind);
rc = SQLBindCol(hstmt, 6, SQL_C_CHAR,
                index_name.s, 129, &index_name.ind);
rc = SQLBindCol(hstmt, 7, SQL_C_SHORT,
                &type, 2, &type_ind);
rc = SQLBindCol(hstmt, 9, SQL_C_CHAR,
                column_name.s, 129, &column_name.ind);
rc = SQLBindCol(hstmt, 11, SQL_C_LONG,
                &cardinality, 4, &card_ind);
rc = SQLBindCol(hstmt, 12, SQL_C_LONG,
                &pages, 4, &pages_ind);
printf("Statistics for
while ((rc = SQLFetch(hstmt)) == SQL_SUCCESS)
{ if (type != SQL_TABLE_STAT)
  { printf(" Column: %-18s Index Name: %-18s\n",
          column_name.s, index_name.s);
    }
  else
  { printf(" Table Statistics:\n");
    }
  if (card_ind != SQL_NULL_DATA)
    printf(" Cardinality = %13ld", cardinality);
  else
    printf(" Cardinality = (Unavailable)");
  if (pages_ind != SQL_NULL_DATA)
    printf(" Pages = %13ld\n", pages);
  else
    printf(" Pages = (Unavailable)\n");
}
}
/* ... */

```

Figure 34. An application that prints page and cardinality information about a table

Related reference

[SQLColumns\(\) - Get column information](#)

[SQLColumns\(\)](#) returns a list of columns in the specified tables. The information is returned in an SQL result set, which can be retrieved by using the same functions that fetch a result set that a query generates.

[Function return codes](#)

Every ODBC function returns a return code that indicates whether the function invocation succeeded or failed.

[SQLSpecialColumns\(\) - Get special \(row identifier\) columns](#)

[SQLSpecialColumns\(\)](#) returns unique row identifier information (primary key or unique index) for a table. The information is returned in an SQL result set. You can retrieve this result set with the same functions that process a result set that is generated by a query.

SQLTablePrivileges() - Get table privileges

[SQLTablePrivileges\(\)](#) returns a list of tables and associated privileges for each table. The information is returned in an SQL result set. You can retrieve this result set with the same functions that you use to process a result set that is generated by a query.

ODBC specifications for SQLTablePrivileges()

ODBC specification level	In X/Open CLI CAE specification?	In ISO CLI specification?
1.0	No	No

Syntax

```
SQLRETURN SQLTablePrivileges (SQLHSTMT      hstmt,
                               SQLCHAR        FAR *szCatalogName,
                               SQLSMALLINT    cbCatalogName,
                               SQLCHAR        FAR *szSchemaName,
                               SQLSMALLINT    cbSchemaName,
                               SQLCHAR        FAR *szTableName,
                               SQLSMALLINT    cbTableName);
```

Function arguments

The following table lists the data type, use, and description for each argument in this function.

Table 248. *SQLTablePrivileges()* arguments

Data type	Argument	Use	Description
SQLHSTMT	<i>hstmt</i>	input	Statement handle.
SQLCHAR *	<i>szTableQualifier</i>	input	Catalog qualifier of a three-part table name. This must be a null pointer or a zero length string.
SQLSMALLINT	<i>cbTableQualifier</i>	input	The length, in bytes, of <i>szCatalogName</i> . This must be set to 0.
SQLCHAR *	<i>szSchemaName</i>	input	Buffer that can contain a <i>pattern-value</i> to qualify the result set by schema name.
SQLSMALLINT	<i>cbSchemaName</i>	input	The length, in bytes, of <i>szSchemaName</i> .
SQLCHAR *	<i>szTableName</i>	input	Buffer that can contain a <i>pattern-value</i> to qualify the result set by table name.
SQLSMALLINT	<i>cbTableName</i>	input	The length, in bytes, of <i>szTableName</i> .

The *szSchemaName* and *szTableName* arguments accept search patterns.

Usage

The results are returned as a standard result set containing the columns listed in the following table. The result set is ordered by TABLE_CAT, TABLE_SCHEM, TABLE_NAME, and PRIVILEGE. If multiple privileges are associated with any given table, each privilege is returned as a separate row.

Because calls to *SQLTablePrivileges()* in many cases map to a complex and thus expensive query against the system catalog, they should be used sparingly, and the results saved rather than repeating calls.

The VARCHAR columns of the catalog functions result set are declared with a maximum length attribute of 128 bytes to be consistent with ANSI/ISO SQL standard of 1992 limits. Because Db2 names are less than 128 bytes, the application can choose to always set aside 128 bytes (plus the nul-terminator) for the output buffer. Alternatively, you can call *SQLGetInfo()* with the *InfoType* argument set to each of the following values:

- *SQL_MAX_CATALOG_NAME_LEN*, to determine the length of TABLE_CAT columns that the connected database management system supports
- *SQL_MAX_SCHEMA_NAME_LEN*, to determine the length of TABLE_SCHEM columns that the connected database management system supports
- *SQL_MAX_TABLE_NAME_LEN*, to determine the length of TABLE_NAME columns that the connected database management system supports
- *SQL_MAX_COLUMN_NAME_LEN*, to determine the length of COLUMN_NAME columns that the connected database management system supports

Although new columns might be added and the names of the existing columns changed in future releases, the position of the current columns remains unchanged. The following table lists the columns in the result set `SQLTablePrivileges()` currently returns.

Table 249. Columns returned by SQLTablePrivileges()

Column number	Column name	Data type	Description
1	TABLE_CAT	VARCHAR(128)	The is always null.
2	TABLE_SCHEM	VARCHAR(128)	The name of the schema contain TABLE_NAME.
3	TABLE_NAME	VARCHAR(128) NOT NULL	The name of the table.
4	GRANTOR	VARCHAR(128)	Authorization ID of the user who granted the privilege.
5	GRANTEE	VARCHAR(128)	Authorization ID of the user to whom the privilege is granted.
6	PRIVILEGE	VARCHAR(128)	The table privilege. This can be one of the following strings: <ul style="list-style-type: none"> • ALTER • CONTROL • DELETE • INDEX • INSERT • REFERENCES • SELECT • UPDATE
7	IS_GRANTABLE	VARCHAR(3)	Indicates whether the grantee is permitted to grant the privilege to other users. This can be "YES", "NO" or NULL.

The column names used by Db2 ODBC follow the X/Open CLI CAE specification style. The column types, contents and order are identical to those defined for the `SQLProcedures()` result set in ODBC.

Return codes

After you call `SQLTablePrivileges()`, it returns one of the following values:

- SQL_SUCCESS
- SQL_SUCCESS_WITH_INFO
- SQL_ERROR
- SQL_INVALID_HANDLE

Diagnostics

The following table lists each `SQLSTATE` that this function generates, with a description and explanation for each value.

Table 250. *SQLTablePrivileges()* SQLSTATEs

SQLSTATE	Description	Explanation
08S01	Communication link failure.	The communication link between the application and data source fails before the function completes.
24000	Invalid cursor state.	A cursor is opened on the statement handle.
HY001	Memory allocation failure.	Db2 ODBC is not able to allocate the required memory to support the execution or the completion of the function.
HY010	Function sequence error.	The function is called during a data-at-execute operation. (That is, the function is called during a procedure that uses the <code>SQLParamData()</code> or <code>SQLPutData()</code> functions.)
HY014	No more handles.	Db2 ODBC is not able to allocate a handle due to low internal resources.
HY090	Invalid string or buffer length.	This SQLSTATE is returned for one or more of the following reasons: <ul style="list-style-type: none"> • The value of one of the name length arguments is less than 0, but not equal to <code>SQL_NTS</code>. • The value of one of the name length arguments exceeded the maximum value supported for that data source. The maximum supported value can be obtained by calling the <code>SQLGetInfo()</code> function.
HYC00	Driver not capable.	Db2 ODBC does not support <i>catalog</i> as a qualifier for table name.

Example

The following example shows an application that uses `SQLTablePrivileges()` to generate a result set of privileges on tables.

```

/* ... */
SQLRETURN
list_table_privileges(SQLHDBC hdbc, SQLCHAR *schema,
                      SQLCHAR *tablename )
{
    SQLHSTMT      hstmt;
    SQLRETURN     rc;
    struct { SQLINTEGER ind; /* Length & Indicator variable */
            SQLCHAR s[129]; /* String variable */
    } grantor, grantee, privilege;
    struct { SQLINTEGER ind;
            SQLCHAR s[4];
    } is_grantable;
    SQLCHAR cur_name[512] = ""; /* Used when printing the */
    SQLCHAR pre_name[512] = ""; /* Result set */
    /* Allocate a statement handle to reference the result set */
    rc = SQLAllocHandle(SQL_HANDLE_STMT, hdbc, &hstmt);
    /* Create table privileges result set */
    rc = SQLTablePrivileges(hstmt, NULL, 0, schema, SQL_NTS,
                            tablename, SQL_NTS);
    rc = SQLBindCol(hstmt, 4, SQL_C_CHAR, (SQLPOINTER) grantor.s, 129,
                    &grantor.ind);
    /* Continue Binding, then fetch and display result set */
    /* ... */
}

```

Figure 35. An application that generates a result set containing privileges on tables

Related concepts

[Input arguments on catalog functions](#)

Input arguments identify or constrain the amount of information that a catalog function returns.

Related reference

Function return codes

Every ODBC function returns a return code that indicates whether the function invocation succeeded or failed.

[SQLTables\(\) - Get table information](#)

`SQLTables()` returns a list of table names and associated information that is stored in the system catalog of the connected data source. The list of table names is returned as a result set. You can retrieve this result set with the same functions that process a result set generated by a query.

SQLTables() - Get table information

`SQLTables()` returns a list of table names and associated information that is stored in the system catalog of the connected data source. The list of table names is returned as a result set. You can retrieve this result set with the same functions that process a result set generated by a query.

ODBC specifications for SQLTables()

Table 251. <code>SQLTables()</code> specifications		
ODBC specification level	In X/Open CLI CAE specification?	In ISO CLI specification?
1.0	Yes	No

Syntax

```
SQLRETURN SQLTables(
    (SQLHSTMT FAR) hstmt,
    (SQLCHAR FAR) *szCatalogName,
    (SQLSMALLINT FAR) cbCatalogName,
    (SQLCHAR FAR) *szSchemaName,
    (SQLSMALLINT FAR) cbSchemaName,
    (SQLCHAR FAR) *szTableName,
    (SQLSMALLINT FAR) cbTableName,
    (SQLCHAR FAR) *szTableType,
    (SQLSMALLINT FAR) cbTableType);
```

Function arguments

The following table lists the data type, use, and description for each argument in this function.

Table 252. <code>SQLTables()</code> arguments			
Data type	Argument	Use	Description
SQLHSTMT	<i>hstmt</i>	input	Statement handle.
SQLCHAR *	<i>szCatalogName</i>	input	Buffer that can contain a <i>pattern-value</i> to qualify the result set. <i>Catalog</i> is the first part of a three-part table name. This must be a null pointer or a zero length string.
SQLSMALLINT	<i>cbCatalogName</i>	input	The length, in bytes, of <i>szCatalogName</i> . This must be set to 0.
SQLCHAR *	<i>szSchemaName</i>	input	Buffer that can contain a <i>pattern-value</i> to qualify the result set by schema name.
SQLSMALLINT	<i>cbSchemaName</i>	input	The length, in bytes, of <i>szSchemaName</i> .

Table 252. `SQLTables()` arguments (continued)

Data type	Argument	Use	Description
SQLCHAR *	<code>szTableName</code>	input	Buffer that can contain a <i>pattern-value</i> to qualify the result set by table name.
SQLSMALLINT	<code>cbTableName</code>	input	The length, in bytes, of <code>szTableName</code> .
SQLCHAR *	<code>szTableType</code>	input	<p>Buffer that can contain a <i>value list</i> to qualify the result set by table type.</p> <p>The value list is a list of uppercase comma-separated single quoted values for the table types of interest.</p> <p>Valid table type identifiers can include: TABLE, VIEW, SYSTEM TABLE, ALIAS, SYNONYM, GLOBAL TEMPORARY TABLE, AUXILIARY TABLE, MATERIALIZED QUERY TABLE, or ACCEL-ONLY TABLE.</p> <p>If SYSTEM TABLE is specified, then both system tables and system views (if any) are returned.</p>
SQLSMALLINT	<code>cbTableType</code>	input	Size of <code>szTableType</code>

Note that the `szCatalogName`, `szSchemaName`, and `szTableName` arguments accept search patterns.

Usage

Table information is returned in a result set where each table is represented by one row of the result set. To determine the type of access permitted on any given table in the list, the application can call `SQLTablePrivileges()`. Otherwise, the application must be able to handle a situation where the user selects a table for which SELECT privileges are not granted.

To support obtaining just a list of schemas, the following special semantics for the `szSchemaName` argument can be applied: if `szSchemaName` is a string containing a single percent (%) character, and `szCatalogName` and `szTableName` are empty strings, then the result set contains a list of valid schemas in the data source.

If `szTableType` is a single percent character (%) and `szCatalogName`, `szSchemaName`, and `szTableName` are empty strings, then the result set contains a list of valid table types for the data source. (All columns except the TABLE_TYPE column contain null values.)

If `szTableType` is not an empty string, it must contain a list of uppercase, comma-separated values for the types of interest; each value can be enclosed in single quotes or without single quotes. For example, "'TABLE','VIEW'" or "TABLE,VIEW". If the data source does not support or does not recognize a specified table type, nothing is returned for that type.

If an application calls `SQLTables()` with null pointers for some or all of the `szSchemaName`, `szTableName`, and `szTableType` arguments, `SQLTables()` does not restrict the result set that is returned. For some data sources that contain a large number of objects, large result sets are returned, with very long retrieval times. You can reduce the result set size and retrieval time by specifying initialization keywords SCHEMALIST, SYSSHEMA, or TABLETYPE in the Db2 ODBC initialization file. Those initialization keywords restrict the result set when `SQLTables()` supplies null pointers for `szSchemaName` and `szTableType`. If `SQLTables()` does not supply a null pointer for `szSchemaName` or `szTableType`, the associated keyword specification in the Db2 ODBC initialization file is not used.

The result set returned by `SQLTables()` contains the columns listed in Table 253 on page 415 in the order given. The rows are ordered by TABLE_TYPE, TABLE_CAT, TABLE_SCHEM, and TABLE_NAME.

Because calls to `SQLTables()` in many cases map to a complex and thus expensive query against the system catalog, they should be used sparingly, and the results saved rather than repeating calls.

The VARCHAR columns of the catalog functions result set are declared with a maximum length attribute of 128 bytes to be consistent with ANSI/ISO SQL standard of 1992 limits. Because DB2 names are less than 128 bytes, the application can choose to always set aside 128 bytes (plus the nul-terminator) for the output buffer. Alternatively, you can call `SQLGetInfo()` with the *InfoType* argument set to each of the following values:

- `SQL_MAX_CATALOG_NAME_LEN`, to determine the length of `TABLE_CAT` columns that the connected database management system supports
- `SQL_MAX_SCHEMA_NAME_LEN`, to determine the length of `TABLE_SCHEM` columns that the connected database management system supports
- `SQL_MAX_TABLE_NAME_LEN`, to determine the length of `TABLE_NAME` columns that the connected database management system supports
- `SQL_MAX_COLUMN_NAME_LEN`, to determine the length of `COLUMN_NAME` columns that the connected database management system supports

Although new columns might be added and the names of the existing columns changed in future releases, the position of the current columns remains unchanged. The following table lists the columns in the result set `SQLTables()` currently returns.

Table 253. Columns returned by SQLTables()

Column Name	Data type	Description
TABLE_CAT	VARCHAR(128)	The name of the catalog containing TABLE_SCHEM. This column contains a null value.
TABLE_SCHEM	VARCHAR(128)	The name of the schema containing TABLE_NAME.
TABLE_NAME	VARCHAR(128)	The name of the table, or view, or alias, or synonym.
TABLE_TYPE	VARCHAR(128)	Identifies the type of object in the TABLE_NAME column. TABLE_TYPE can have one of the string values 'TABLE', 'VIEW', 'INOPERATIVE VIEW', 'SYSTEM TABLE', 'ALIAS', 'SYNONYM', 'GLOBAL TEMPORARY TABLE', 'AUXILIARY TABLE', 'MATERIALIZED QUERY TABLE', or 'ACCEL-ONLY TABLE'. 'ACCEL-ONLY TABLE' is an extended table type, and is returned only if initialization keyword EXTENDEDTABLEINFO is set to 1.
REMARKS	VARCHAR(762)	Contains the descriptive information about the table.
TEMPORAL_TABLE_TYPE	VARCHAR(11)	Contains the type of temporal table. Possible values are: SYSTEM System-period temporal table. APPLICATION Application-period temporal table. BITEMPORAL Bitemporal table. Empty string Not a temporal table. The result set contains this column only if initialization keyword EXTENDEDTABLEINFO is set to 1.

Table 253. Columns returned by `SQLTables()` (continued)

Column Name	Data type	Description
IS_ACCELERATED	VARCHAR(3)	Indicates whether the table is an accelerated table. Possible values are YES or NO. The result set contains this column only if initialization keyword EXTENDEDTABLEINFO is set to 1.
ACCEL_ARCHIVE_STATUS	CHAR(1)	Contains the archive status of the table in the accelerator database. See the description of the ARCHIVE column in SYSACCEL.SYSACCELERATEDTABLES table (Db2 SQL) for the possible values and their meanings. The result set contains this column only if initialization keyword EXTENDEDTABLEINFO is set to 1.
IS_ARCHIVE_ENABLED	VARCHAR(3)	Indicates whether the table is an archive-enabled table. Possible values are YES or NO. The result set contains this column only if initialization keyword EXTENDEDTABLEINFO is set to 1.

Return codes

After you call `SQLTables()`, it returns one of the following values:

- SQL_SUCCESS
- SQL_SUCCESS_WITH_INFO
- SQL_ERROR
- SQL_INVALID_HANDLE

Diagnostics

The following table lists each SQLSTATE that this function generates, with a description and explanation for each value.

Table 254. `SQLTables()` SQLSTATES

SQLSTATE	Description	Explanation
08S01	Communication link failure.	The communication link between the application and data source fails before the function completes.
24000	Invalid cursor state.	A cursor is open on the statement handle.
HY001	Memory allocation failure.	Db2 ODBC is not able to allocate the required memory to support the execution or the completion of the function.
HY010	Function sequence error.	The function is called during a data-at-execute operation. (That is, the function is called during a procedure that uses the <code>SQLParamData()</code> or <code>SQLPutData()</code> functions.)
HY014	No more handles.	Db2 ODBC is not able to allocate a handle due to low internal resources.

Table 254. *SQLTables()* *SQLSTATES* (continued)

SQLSTATE	Description	Explanation
HY090	Invalid string or buffer length.	This SQLSTATE is returned for one or more of the following reasons: <ul style="list-style-type: none"> The value of one of the name length arguments is less than 0, but not equal to SQL_NTS. The value of one of the name length arguments exceeds the maximum value supported for that data source. You can obtain this maximum value with <code>SQLGetInfo()</code>.
HYC00	Driver not capable.	Db2 ODBC does not support <i>catalog</i> as a qualifier for table name.

Example

The following example shows an application that uses `SQLTables()` to generate a result set of table name information that matches a search pattern. For another example, see *Functions for querying environment and data source information*.

```

/* ... */
SQLRETURN init_tables(SQLHDBC hdbc )
{
    SQLHSTMT          hstmt;
    SQLRETURN          rc;
    SQLUSMALLINT      rowstat[MAX_TABLES];
    SQLUIINTEGER      pcrow;
    rc = SQLAllocHandle(SQL_HANDLE_STMT, hdbc, &hstmt);
    /* SQL_ROWSET_SIZE sets the max number of result rows to fetch each time */
    rc = SQLSetStmtAttr(hstmt, SQL_ATTR_ROWSET_SIZE, (void*)MAX_TABLES, 0);
    /* Set size of one row, used for row-wise binding only */
    rc = SQLSetStmtAttr(hstmt, SQL_ATTR_BIND_TYPE,
        (void *)sizeof(table) / MAX_TABLES, 0);
    printf("Enter Search Pattern for Table Schema Name:\n");
    gets(table->schem);
    printf("Enter Search Pattern for Table Name:\n");
    gets(table->name);
    rc = SQLTables(hstmt, NULL, 0, table->schem, SQL_NTS,
        table->name, SQL_NTS, NULL, 0);
    rc = SQLBindCol(hstmt, 2, SQL_C_CHAR, (SQLPOINTER) &table->schem, 129,
        &table->schem_1);
    rc = SQLBindCol(hstmt, 3, SQL_C_CHAR, (SQLPOINTER) &table->name, 129,
        &table->name_1);
    rc = SQLBindCol(hstmt, 4, SQL_C_CHAR, (SQLPOINTER) &table->type, 129,
        &table->type_1);
    rc = SQLBindCol(hstmt, 5, SQL_C_CHAR, (SQLPOINTER) &table->remarks, 255,
        &table->remarks_1);
    /* Now fetch the result set */
}
/* ... */

```

Figure 36. An application that returns a result set of table name information

Related concepts

[Functions for querying environment and data source information](#)

Db2 ODBC provides functions that let applications retrieve information about the characteristics and capabilities of the current ODBC driver or the data source to which it is connected.

[Input arguments on catalog functions](#)

Input arguments identify or constrain the amount of information that a catalog function returns.

Related reference

[SQLColumns\(\)](#) - Get column information

`SQLColumns()` returns a list of columns in the specified tables. The information is returned in an SQL result set, which can be retrieved by using the same functions that fetch a result set that a query generates.

[Function return codes](#)

Every ODBC function returns a return code that indicates whether the function invocation succeeded or failed.

[SQLTablePrivileges\(\) - Get table privileges](#)

`SQLTablePrivileges()` returns a list of tables and associated privileges for each table. The information is returned in an SQL result set. You can retrieve this result set with the same functions that you use to process a result set that is generated by a query.

[Db2 ODBC initialization keywords](#)

Db2 ODBC initialization keywords control the run time environment for Db2 ODBC applications.

SQLTransact() - Transaction management

`SQLTransact()` is a deprecated function and is replaced by `SQLEndTran()`.

ODBC specifications for SQLTransact()

Table 255. <code>SQLTransact()</code> specifications		
ODBC specification level	In X/Open CLI CAE specification?	In ISO CLI specification?
1.0 (Deprecated)	Yes	Yes

Syntax

```
SQLRETURN SQLTransact(
    (SQLHENV   henv,
     SQLHDBC   hdbc,
     SQLUSMALLINT fType);
```

Function arguments

The following table lists the data type, use, and description for each argument in this function.

Table 256. `SQLTransact()` arguments

Data type	Argument	Use	Description
SQLHENV	<i>henv</i>	input	Environment handle. If <i>hdbc</i> is a valid connection handle, <i>henv</i> is ignored.
SQLHDBC	<i>hdbc</i>	input	Database connection handle. If <i>hdbc</i> is set to <code>SQL_NULL_HDBC</code> , then <i>henv</i> must contain the environment handle that the connection is associated with.
SQLUSMALLINT	<i>fType</i>	input	The action for the transaction. The value for this argument must be one of: <ul style="list-style-type: none"> <code>SQL_COMMIT</code> <code>SQL_ROLLBACK</code>

Related reference

[SQLEndTran\(\) - End transaction of a connection](#)

`SQLEndTran()` requests a commit or rollback operation for all active transactions on all statements that are associated with a connection. `SQLEndTran()` can also request that a commit or rollback operation be performed for all connections that are associated with an environment.

Chapter 5. Advanced features

Db2 ODBC provides advanced features for performing setting and retrieving attributes, working with global transactions, querying the catalog, and using LOBs, XML documents, and distinct types.

Functions for setting and retrieving environment, connection, and statement attributes

Db2 ODBC provides functions that let you set or retrieve a subset of environment, connection, and statement attributes.

Environments, connections, and statements each have a defined set of attributes (or options). You can query all these attributes, but you can change only some of these attributes from their default values. When you change attribute values, you change the behavior of Db2 ODBC.

The attributes that you can change are listed in the detailed descriptions of the set-attribute functions listed below:

- `SQLSetEnvAttr()` - Set environment attributes
- `SQLSetConnectAttr()` - Set connection attributes
- `SQLSetStmtAttr()` - Set statement attributes
- `SQLSetColAttr()` - Set column attributes

Read-only attributes (if any exist) are listed with the detailed function descriptions of the get-attribute functions.

Usually you write applications that use default attribute settings; however, these defaults are not always suitable for particular users of your application. Db2 ODBC provides two points at which users of your application can change default values of attributes at run time. Users specify attribute values either from an interface that uses the `SQLDriverConnect()` connection string or they can specify values in the Db2 ODBC initialization file.

The Db2 ODBC initialization file specifies the default attribute values for all Db2 ODBC applications. If an application does not provide users with an interface to the `SQLDriverConnect()` connection string, users can change default attribute values through the initialization file only. Attribute values that are specified with `SQLDriverConnect()` override the values that are set in the Db2 ODBC initialization file for any particular connection.

Important: The initialization file and connection string are intended for user tuning. Application developers should use the appropriate set-attribute functions to change attribute values. When you use set-attribute functions to set attribute values, the value that you specify overrides the initialization file value and the `SQLDriverConnect()` connection string value for that attribute.

The following figure shows how you set and retrieve attribute values within a basic connect scenario.

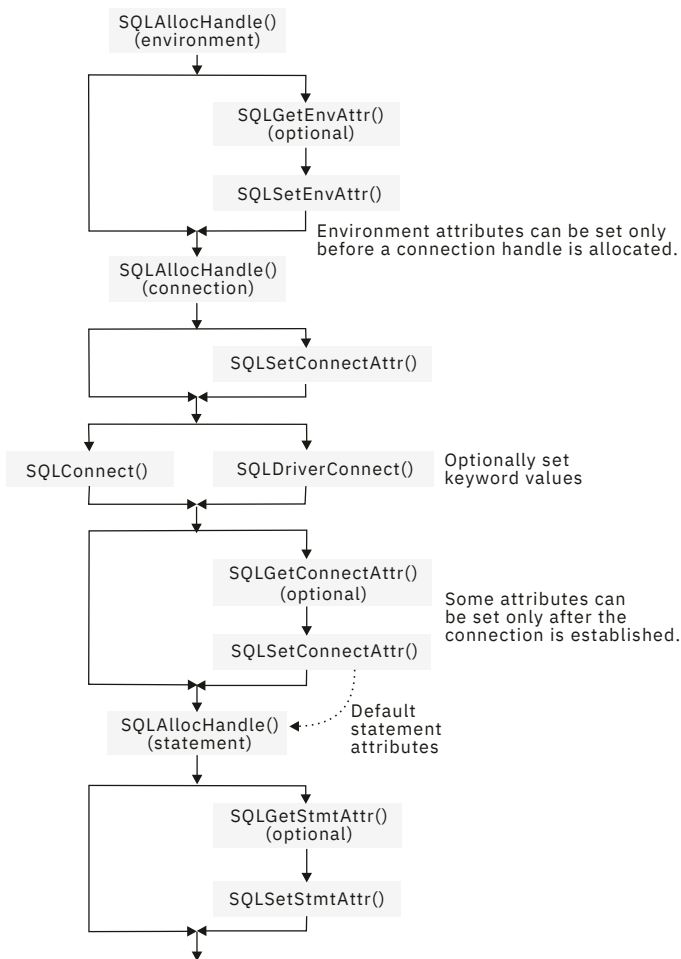


Figure 37. Setting and retrieving attributes

Related concepts

ODBC programming hints and tips

When you program a Db2 ODBC application, you can avoid common problems, improve performance, reduce network flow, and maximize portability.

Db2 ODBC initialization file

A set of optional keywords can be specified in a Db2 ODBC *initialization file*. An initialization file stores default values for various Db2 ODBC configuration options. Because the initialization file has EBCDIC text, you can use a file editor, such as the TSO editor, to edit it.

Related reference

SQLDriverConnect() - Use a connection string to connect to a data source

`SQLDriverConnect()` is an alternative to `SQLConnect()`. Both functions establish a connection to the target database, but `SQLDriverConnect()` supports additional connection parameters.

SQLSetColAttributes() - Set column attributes

`SQLSetColAttributes()` sets the data source result descriptor (column name, type, precision, scale, and nullability) for one column in the result set. If you set the data source result descriptor, Db2 ODBC does not need to obtain the descriptor information from the database management system server.

SQLSetConnectAttr() - Set connection attributes

`SQLSetConnectAttr()` sets attributes that govern aspects of connections.

SQLSetEnvAttr() - Set environment attributes

`SQLSetEnvAttr()` sets attributes that affects all connections in an environment.

SQLSetStmtAttr() - Set statement attributes

`SQLSetStmtAttr()` sets attributes that are related to a statement. To set an attribute for all statements that are associated with a specific connection, an application can call `SQLSetConnectAttr()`.

Functions for setting and retrieving environment attributes

To specify a new value for an environment attribute, call `SQLSetEnvAttr()`. To obtain the current value of an environment attribute, call `SQLGetEnvAttr()`.

Attributes on an environment handle affect the behavior of all Db2 ODBC functions within that environment. You must set environment attributes before you allocate a connection handle. Because Db2 ODBC allows you to allocate only one environment handle, environment attributes affect all Db2 ODBC functions that your application calls.

Related reference

[SQLGetEnvAttr\(\)](#) - Return current setting of an environment attribute

`SQLGetEnvAttr()` returns the current setting for an environment attribute. You can also use the `SQLSetEnvAttr()` function to set these attributes.

[SQLSetEnvAttr\(\)](#) - Set environment attributes

`SQLSetEnvAttr()` sets attributes that affects all connections in an environment.

Functions for setting and retrieving connection attributes

To specify a new value for a connection attribute, call `SQLSetConnectAttr()`. To obtain the current value of a connection attribute, call `SQLGetConnectAttr()`.

You can set a connection attribute only within one of the following periods of time. This period differs for each specific connection attribute.

- Any time after the connection handle is allocated
- Only before the actual connection is established
- Only after the connection is established
- After the connection is established only if that connection has no outstanding transactions or open cursors

To obtain the current value of a connection attribute, call `SQLGetConnectAttr()`.

Related reference

[SQLSetConnectAttr\(\)](#) - Set connection attributes

`SQLSetConnectAttr()` sets attributes that govern aspects of connections.

Functions for setting and retrieving statement attributes

To specify a new value for a statement attribute, call `SQLSetStmtAttr()`. To obtain the current value of a statement attribute, call `SQLGetStmtAttr()`.

You can set a statement attribute only after you have allocated a statement handle. Statement attributes are one of the following types:

- Attributes that you can set, but currently only to one specific value
- Attributes that you can set any time after the statement handle is allocated
- Attributes that you can set only if no cursor is open on the statement handle

Although you can use the `SQLSetConnectAttr()` function to set ODBC 2.0 statement attributes, setting statement attributes at the connection level is **not** recommended.

`SQLGetConnectAttr()` retrieves only connection attribute values; to retrieve the current value of a statement attribute you must call `SQLGetStmtAttr()`.

Related reference

[SQLSetStmtAttr\(\)](#) - Set statement attributes

`SQLSetStmtAttr()` sets attributes that are related to a statement. To set an attribute for all statements that are associated with a specific connection, an application can call `SQLSetConnectAttr()`.

ODBC and distributed units of work

You can write Db2 ODBC applications to use distributed units of work.

The transaction scenario that appears in *How to connect to one or more data sources*, portrays an application that can interact with only one data source in a transaction and perform only one transaction at a given time.

With a distributed unit of work (which is also called a coordinated distributed transaction), your application can access multiple database servers from within the same coordinated transaction.

The environment and connection attribute `SQL_ATTR_CONNECTTYPE` controls whether your application operates in a coordinated or uncoordinated distributed environment. To change the distributed environment in which your application operates, you set this attribute to one of the following values:

- `SQL_CONCURRENT_TRANS`

With this attribute value, the distributed environment is uncoordinated. Your application uses the semantics for a single data source for each transaction, as described in *Conceptual view of a Db2 ODBC application*. This value permits multiple (logical) concurrent connections to different data sources. `SQL_CONCURRENT_TRANS` is the default value for the `SQL_ATTR_CONNECTTYPE` environment attribute.

- `SQL_COORDINATED_TRANS`

With this attribute value, the distributed environment is coordinated. Your application uses semantics for multiple data sources per transaction, as this section describes.

To use distributed units of work in your application, call `SQLSetEnvAttr()` or `SQLSetConnectAttr()` with the attribute `SQL_ATTR_CONNECTTYPE` set to `SQL_COORDINATED_TRANS`. You must set this attribute before you make a connection request.

All connections within an application must use the same connection type. You can set the connection type by using `SQLSetEnvAttr()`, `SQLSetConnectAttr()`, or the `CONNECTTYPE` keyword in the Db2 ODBC initialization file.

Recommendation: Set this environment attribute as soon as you successfully allocate an environment handle.

Related concepts

[How to connect to one or more data sources](#)

Db2 ODBC supports different connection types to remote data sources through DRDA.

[Conceptual view of a Db2 ODBC application](#)

A typical Db2 ODBC application includes initialization, transaction processing, and termination tasks.

Related reference

[Db2 ODBC initialization keywords](#)

[Db2 ODBC initialization keywords](#) control the run time environment for Db2 ODBC applications.

Functions for establishing a distributed unit-of-work connection

You establish distributed unit of work connections when you call `SQLSetEnvAttr()` or `SQLSetConnectAttr()` with `SQL_ATTR_CONNECTTYPE` set to `SQL_COORDINATED_TRANS`.

You cannot specify `MULTICONTEXT=1` in the initialization file if you want to use coordinated distributed transactions. Users of your application can specify `CONNECTTYPE=2` in the Db2 ODBC initialization file or in the `SQLDriverConnect()` connection string to enable coordinated transactions.

You cannot mix concurrent connections with coordinated connections in your application. The connection type that you specify for the first connection determines the connection type of all subsequent connections. `SQLSetEnvAttr()` and `SQLSetConnectAttr()` return an error if your application

attempts to change the connection type while any connection is active. After you establish a connection type, it persists until you free all connection handles and change the value of the CONNECTTYPE keyword or the SQL_ATTR_CONNECTTYPE attribute.

The following example shows an example of an application that sets SQL_ATTR_CONNECTTYPE to SQL_COORDINATED_TRANS and performs a coordinated transaction on two data sources within the distributed environment.

```

/* ... */
#define MAX_CONNECTIONS 2
int
DBconnect(SQLHENV henv,
          SQLHDBC * hdbc,
          char * server);

int
main()
{
    SQLHENV      henv;
    SQLHDBC      hdbc[MAX_CONNECTIONS];
    SQLRETURN    rc;
    char *      svr[MAX_CONNECTIONS] =
    {
        "KARACHI" ,
        "DAMASCUS"
    }
    /* Allocate an environment handle */
    SQLAllocHandle(SQL_HANDLE_ENV, SQL_NULL_HANDLE, &henv);
    /* Before allocating any connection handles, set Environment wide
    Connect Attributes */
    /* Set to CONNECT(type 2)*/
    rc = SQLSetEnvAttr(henv, SQL_CONNECTTYPE,
                      (SQLPOINTER) SQL_COORDINATED_TRANS, 0);
/* ... */
/* Connect to first data source */
/* Allocate a connection handle */
if (SQLAllocHandle(SQL_HANDLE_DBC, henv, &hdbc[0]) != SQL_SUCCESS) {
    printf(">---ERROR while allocating a connection handle-----\n");
    return (SQL_ERROR);
}
/* Connect to first data source (Type-II) */
DBconnect (henv,
          &hdbc[0],
          svr[0]);
/* Allocate a second connection handle */
if (SQLAllocHandle(SQL_HANDLE_DBC, henv, &hdbc[1]) != SQL_SUCCESS) {
    printf(">---ERROR while allocating a connection handle-----\n");
    return (SQL_ERROR);
}
/* Connect to second data source (Type-II) */
DBconnect (henv,
          &hdbc[1],
          svr[1]);
/***** Start processing step *****/
/* Allocate statement handle, execute statement, and so on */
/* Note that both connections participate in the disposition*/
/* of the transaction. Note that a NULL connection handle */
/* is passed as all work is committed on all connections. */
/***** End processing step *****/
(void)SQLEndTran(SQL_HANDLE_HENV, henv, SQL_COMMIT);
/* Disconnect, free handles and exit */
}
/*****
** Server is passed as a parameter. Note that USERID and PASSWORD**
** are always NULL. **
*****/
int
DBconnect(SQLHENV henv,
          SQLHDBC * hdbc,
          char * server)
{
    SQLRETURN    rc;
    SQLCHAR      buffer[255];
    SQLSMALLINT  outlen;
    /* Allocate a connection handle */
    SQLAllocHandle(SQL_HANDLE_DBC, henv, hdbc);
    rc = SQLConnect(*hdbc, server, SQL_NTS, NULL, SQL_NTS, NULL, SQL_NTS);
    if (rc != SQL_SUCCESS) {
        printf(">--- Error while connecting to database:
        return (SQL_ERROR);

```

```
    } else {  
        printf(">Connected to  
            return (SQL_SUCCESS);  
    }  
}  
/* ... */
```

Figure 38. An application that connects to two data sources for a coordinated transaction

Related concepts

Db2 ODBC initialization file

A set of optional keywords can be specified in a Db2 ODBC *initialization file*. An initialization file stores default values for various Db2 ODBC configuration options. Because the initialization file has EBCDIC text, you can use a file editor, such as the TSO editor, to edit it.

Coordinated connections in a Db2 ODBC application

In distributed units of work, commits and rollbacks among multiple data source connections are coordinated. To establish coordinated connections in a Db2 ODBC application, set the `SQL_ATTR_CONNECTTYPE` attribute to `SQL_COORDINATED_TRANS` or set the `CONNECTTYPE` keyword to 2.

Coordinated connections are equivalent to connections that are established as `CONNECT` (type 2) in IBM embedded SQL. All the connections within an application must have the same connection type. In a distributed unit of work, you must establish all connections as coordinated. The default commit mode for coordinated connections is manual-commit mode.

The following figure shows the logical flow of an application that executes statements on two `SQL_CONCURRENT_TRANS` connections ('A' and 'B') and indicates the scope of the transactions. (This figure shows the logical flow and transaction scope of an application that executes the same statements on two `SQL_COORDINATED_TRANS` connections.)

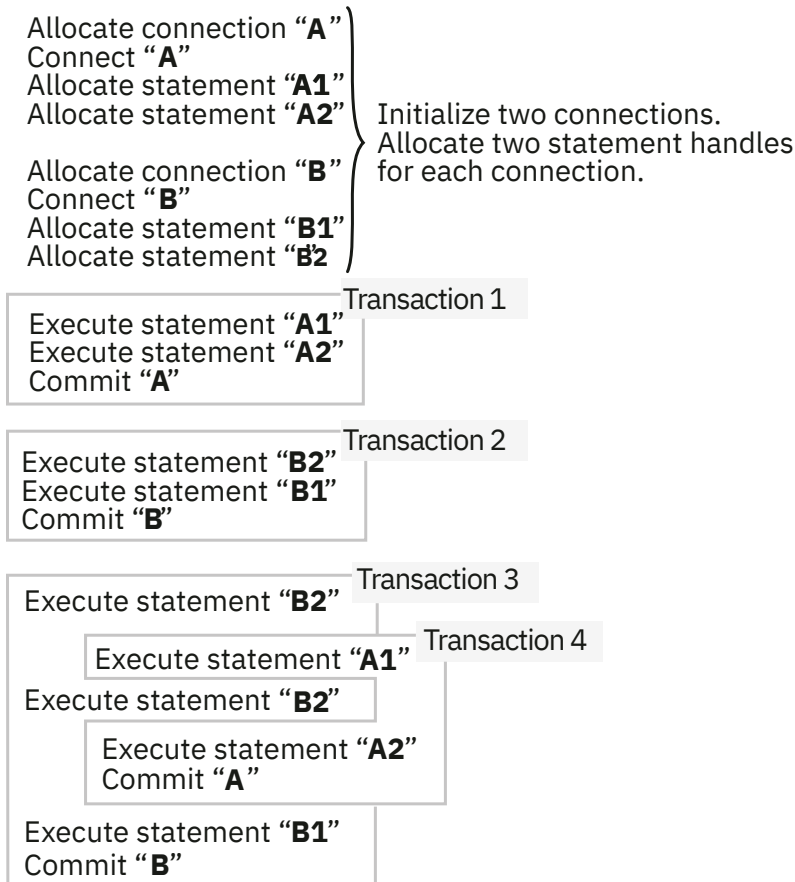


Figure 39. Multiple connections with concurrent transactions

In [Figure 39 on page 425](#), the third and fourth transactions are interleaved on multiple concurrent connections. If an application specifies `SQL_CONCURRENT_TRANS`, the ODBC model supports one transaction for each active connection. In [Figure 39 on page 425](#), the third transaction and the fourth transaction are managed and committed independently. (The third transaction consists of statements A1 and A2 at data source A and the fourth transaction consists of statements B2, B2 again, and B1 at data source B.) The transactions at A and B are independent and exist concurrently.

If you set the `SQL_ATTR_CONNECTTYPE` attribute to `SQL_CONCURRENT_TRANS` and specify `MULTICONTEXT=0` in the initialization file, you can allocate any number of concurrent connection handles. However, only one physical connection to Db2 can exist at any given time with these settings. This behavior precludes support for the ODBC connection model. Consequently, applications that specify `MULTICONTEXT=0` differ substantially from the ODBC execution model was previously described.

If an application specifies `MULTICONTEXT=0` in the concurrent environment that [Figure 39 on page 425](#) portrays, the Db2 ODBC driver executes the third transaction as three separate implicit transactions. The Db2 ODBC driver performs these three implicit transactions with the following actions. (You do **not** issue these actions explicitly in your application).

- **First transaction**

1. Executes statement B2
2. Commits¹

- **Second transaction**

1. Reconnects to data source B (after committing a transaction on data source A)
2. Executes statement B2

3. Commits¹

• Third transaction

1. Reconnects to data source B (after committing a transaction on data source A)
2. Executes statement B1
3. Commits¹

Note:

1. In applications that run with MULTICONTEXT=0, you must always commit before changing data sources. You can specify AUTOCOMMIT=1 in the initialization file or call `SQLSetConnectAttr()` with `SQL_ATTR_AUTOCOMMIT` set to `SQL_AUTOCOMMIT_ON` to include these commit statements implicitly in your application. You can also explicitly include commits by using `SQLEndTran()` calls or SQL commit statements in your application.

From an application point of view, the transaction at data source B, which consists of statements B2, B2, and B1, becomes three independent transactions. The statements B2, B2, and B1 are each executed as independent transactions. Similarly, the fourth transaction at data source A, which consists of statements A1 and A2 becomes two independent transactions: A1 and A2.

The following figure shows how the statements that [Figure 39 on page 425](#) depicts are executed in a coordinated distributed environment. This figure shows statements on two `SQL_COORDINATED_TRANS` connections ('A' and 'B') and the scope of a coordinated distributed transaction.

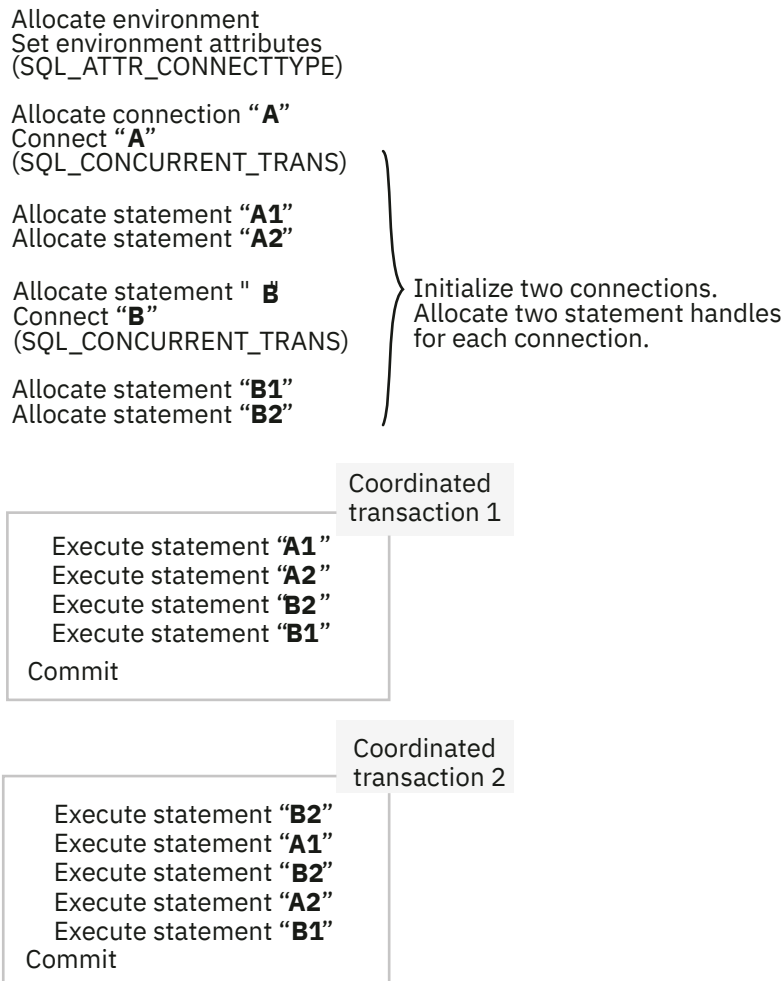


Figure 40. Multiple connections with coordinated transactions

Related concepts

[Commit and rollback in Db2 ODBC](#)

Db2 ODBC supports two commit modes: autocommit and manual-commit. A *transaction* is a recoverable unit of work or a group of SQL statements that can be treated as one atomic operation. This means that all the operations within the group are guaranteed to be completed (committed) or undone (rolled back), as if they were a single operation.

Db2 ODBC support of multiple contexts

A *context* is the Db2 ODBC equivalent of a Db2 thread. Contexts are the structures that describe the logical connections that an application makes to data sources and the internal Db2 ODBC connection information that allows applications to direct operations to a data source.

Global transactions in ODBC programs

A *global transaction* is a recoverable unit of work, or transaction, that is made up of changes to a collection of resources. You include global transactions in your application to access multiple recoverable resources in the context of a single transaction.

Global transactions enable you to write applications that participate in two-phase commit processing. All resources that participate in a global transaction are guaranteed to be committed or rolled back as an atomic unit. z/OS Transaction Management and Resource Recovery Services (RRS) coordinate the updates that occur within a global transaction by using a two-phase commit protocol.

To enable global transactions, specify the keywords AUTOCOMMIT=0, MULTICONTEXT=0, and MVSATTACHTYPE=RRSAF in the initialization file.

To use global transactions, perform the following actions, which include RRS APIs, in your application:

1. Call `ATRSENV()` to provide environmental settings for RRS before you allocate connection handles.
2. Call `ATRBEG()` to mark the beginning of the global transaction.
3. Update the resources that are part of the global transaction.
4. Call `SRRCMIT()`, `SRRBACK()`, or the RRS service `ATREND()` to mark the end of the global transaction.
5. Repeat steps “2” on page 427 and “4” on page 427 for each global transaction that you include in your application.

`SQLEndTran()` is disabled within each global transaction, but you can still use this function to commit or rollback local transactions that are outside of the boundaries of the global transactions.

Db2 ODBC does not support global transaction processing for applications that run under a stored procedure.

The following example shows an application that uses global transaction processing. This application uses both ODBC and RRS APIs to make global transactions on two resources.

```
/* Provide environmental settings for RRS          */
ATRSENV();

/* Get an environment handle (henv)              */
SQLAllocHandle(SQL_HANDLE_ENV, SQL_NULL_HANDLE,
&henv);
/* Get a connection handle (hdbc1)              */
SQLAllocHandle(SQL_HANDLE_DBC, henv, &hdbc1);
/* Get a connection handle (hdbc2)              */
SQLAllocHandle(SQL_HANDLE_DBC, henv, &hdbc2);
/* Start a global transaction                    */
ATRBEG( ... ,
ATR_GLOBAL_MODE , ... );
/* Connect to STLEC1                             */
SQLConnect( hdbc1, "STLEC1", ... );
/* Execute some SQL with hdbc1                   */
SQLAllocHandle(SQL_HANDLE_STMT, hdbc1, &hstmt1);
SQLExecDirect( hstmt1, ... );
SQLExecDirect( hstmt1, ... );
.
/* Connect to STLEC1B                             */
SQLConnect( hdbc2, "STLEC1B", ... );
/* Execute some SQL with hdbc2                   */
SQLAllocHandle(SQL_HANDLE_STMT, hdbc2, &hstmt2);
SQLExecDirect( hstmt2, ... );
```

```

SQLExecDirect( hstmt2, ... );
.
.
/* Free statement handles */
SQLFreeHandle(SQL_HANDLE_STMT, hstmt1);
SQLFreeHandle(SQL_HANDLE_STMT, hstmt2);
/* Commit global transaction */
SRRCMIT();
/* Start a global transaction */
ATRBEG( ... , ATR_GLOBAL_MODE , ... );
/* Execute some SQL with hdbc1 */
SQLAllocHandle(SQL_HANDLE_STMT, hdbc1, &hstmt1);
SQLExecDirect( hstmt1, ... );
SQLExecDirect( hstmt1, ... );
.
.
/* Execute some SQL with hdbc2 */
SQLAllocHandle(SQL_HANDLE_STMT, hdbc2, &hstmt2);
SQLExecDirect( hstmt2, ... );
SQLExecDirect( hstmt2, ... );
.
.
/* Commit global transaction */
ATREND( ATR_COMMIT_ACTION );
/* Disconnect hdbc1 and hdbc2 */
SQLDisconnect( hdbc1 );
SQLDisconnect( hdbc2 );

```

Figure 41. An application that performs ODBC global transactions

Related reference

[z/OS MVS Programming: Resource Recovery](#)

Use of ODBC for querying the Db2 catalog

You can use Db2 ODBC catalog query functions and direct catalog queries to the Db2 ODBC shadow catalog to obtain catalog information.

Often, an application must obtain information from the catalog of the database management system. For example, many applications use catalog information to display a list of current tables for users to choose and manipulate. Although you can write your application to obtain this information with direct queries to the database management catalog, this approach is not advised.

When you use catalog query functions in your application, queries to the catalog are independent of the way that any single database server implements catalogs. As a result of this independence, applications that use these functions are more portable and require less maintenance.

You can also direct catalog query functions to the Db2 ODBC shadow catalog for improved performance.

Related concepts

[Catalog query functions](#)

Catalog functions provide a generic interface for issuing queries and returning consistent result sets across the Db2 servers on different operating systems. In most cases, this consistency allows you to avoid server-specific and release-specific catalog queries in your applications.

[The Db2 ODBC shadow catalog](#)

The Db2 ODBC shadow catalog provides increased performance when you need catalog information. To increase the performance of an application that frequently queries the catalog, implement the Db2 ODBC shadow catalog. Redirect catalog functions to the shadow catalog instead of to the native Db2 catalog.

Catalog query functions

Catalog functions provide a generic interface for issuing queries and returning consistent result sets across the Db2 servers on different operating systems. In most cases, this consistency allows you to avoid server-specific and release-specific catalog queries in your applications.

A catalog function is conceptually equivalent to an `SQLExecDirect()` function that executes a `SELECT` statement against a catalog table. Catalog functions return standard result sets through the statement

handle on which you call them. Use `SQLFetch()` to retrieve individual rows from this result set as you would with any standard result set.

The following functions query the catalog and return a result set each:

- [“SQLColumnPrivileges\(\) - Get column privileges” on page 144](#)
- [“SQLColumns\(\) - Get column information” on page 148](#)
- [“SQLForeignKeys\(\) - Get a list of foreign key columns” on page 212](#)
- [“SQLPrimaryKeys\(\) - Get primary key columns of a table” on page 329](#)
- [“SQLProcedureColumns\(\) - Get procedure input/output parameter information” on page 333](#)
- [“SQLProcedures\(\) - Get a list of procedure names” on page 342](#)
- [“SQLSpecialColumns\(\) - Get special \(row identifier\) columns” on page 398](#)
- [“SQLStatistics\(\) - Get index and statistics information for a base table” on page 404](#)
- [“SQLTablePrivileges\(\) - Get table privileges” on page 409](#)
- [“SQLTables\(\) - Get table information” on page 413](#)

Each of these functions return a result set with columns that are positioned in a specific order. Unlike column names, which can change as X/Open and ISO standards evolve, the positions of these columns are static among ODBC drivers. When, in future releases, columns are added to these result sets, they will be added at the end position.

To make your application more portable, refer to columns by position when you handle result sets that catalog functions generate. Also, write your applications in such a way that additional columns do not adversely affect your application.

The `CURRENTAPPENSCH` keyword in the Db2 ODBC initialization file determines the encoding scheme for character data from catalog queries, as it does with all other result sets.

Some catalog functions execute fairly complex queries. For this reason, call these functions only when you need catalog information. Saving this information is better than making repeated queries to the catalog.

Related concepts

[Application encoding schemes and Db2 ODBC](#)

Unicode and ASCII are alternatives to the EBCDIC character encoding scheme. The Db2 ODBC driver supports input and output character string arguments to ODBC APIs and input and output host variable data in each of these encoding schemes.

Related reference

[Db2 ODBC initialization keywords](#)

Db2 ODBC initialization keywords control the run time environment for Db2 ODBC applications.

Input arguments on catalog functions

Input arguments identify or constrain the amount of information that a catalog function returns.

All of the catalog functions include the input arguments *CatalogName* and *SchemaName* (and their associated lengths). Catalog functions can also include the input arguments *TableName*, *ProcedureName*, and *ColumnName* (and their associated lengths). *CatalogName*, however, must always be a null pointer (with its length set to 0) because Db2 ODBC does not support three-part naming.

Each input argument is described either as a pattern-value argument or an ordinary argument. Argument descriptions vary between catalog functions. For example, `SQLColumnPrivileges()` treats *SchemaName* and *TableName* as ordinary arguments, whereas `SQLTables()` treats these arguments as pattern-value arguments.

Ordinary arguments are inputs that are taken literally. These arguments are case-sensitive. Ordinary arguments do not qualify a query, but rather they explicitly identify the input information. If you pass a null pointer to this type of argument, the results are unpredictable.

Pattern-value arguments constrain the size of the result set as though the underlying query were qualified by a WHERE clause. If you pass a null pointer to a pattern-value input, that argument is not used to restrict the result set (that is, no WHERE clause restricts the query). If a catalog function has more than one pattern-value input argument, these arguments are treated as though the WHERE clauses in the underlying query were joined by AND. A row appears in the result set only if it meets the conditions of all pattern-value arguments that the catalog function specifies.

Each pattern-value argument can contain:

- The underscore (`_`) character, which stands for any single character.
- The percent (`%`) character, which stands for any sequence of zero or more characters.
- Characters that stand for themselves. The case of a letter is significant.

These argument values are used on conceptual LIKE predicates in the WHERE clause. To treat metadata characters (`_` and `%`) literally, you must include an escape character immediately before the `_` or `%` character. To use the escape character itself as a literal part of a pattern-value argument, include the escape character twice in succession. You can determine the escape character that an ODBC driver uses by calling `SQLGetInfo()` with the `InfoType` argument set to `SQL_SEARCH_PATTERN_ESCAPE`.

You can use catalog functions with EBCDIC, Unicode, and ASCII encoding schemes. The `CURRENTAPPENSCH` keyword in the initialization file determines which one of these encoding schemes you use. For EBCDIC, Unicode UTF-8, and ASCII input strings use generic catalog functions. For UCS-2 input strings, use suffix-W catalog functions. For each generic catalog function, a corresponding suffix-W API provides UCS-2 support.

Related concepts

Db2 ODBC API entry points

A Db2 ODBC *entry point* is a function that provides support for one or more application encoding schemes. Db2 ODBC supports two entry points for each function that passes and accepts character string arguments: a generic API and a wide (suffix-W) API.

Related information

ODBC functions

Db2 ODBC provides various SQL-related functions with unique purposes, diagnostics, and restrictions.

Catalog functions example

You can write an application that uses catalog functions to obtain information. For example, you can obtain a list of all tables that have a specified schema name.

The following output shows the information:

- A list of all tables for the specified schema (qualifier) name or search pattern
- Column, special column, foreign key, and statistics information for a selected table

```

Enter Search Pattern for Table Schema Name:
STUDENT
Enter Search Pattern for Table Name:
%
### TABLE SCHEMA          TABLE_NAME          TABLE_TYPE
-----
1  STUDENT                  CUSTOMER             TABLE
2  STUDENT                  DEPARTMENT          TABLE
3  STUDENT                  EMP_ACT             TABLE
4  STUDENT                  EMP_PHOTO           TABLE
5  STUDENT                  EMP_RESUME          TABLE
6  STUDENT                  EMPLOYEE            TABLE
7  STUDENT                  NAMEID              TABLE
8  STUDENT                  ORD_CUST            TABLE
9  STUDENT                  ORD_LINE            TABLE
10 STUDENT                  ORG                 TABLE
11 STUDENT                  PROD_PARTS          TABLE
12 STUDENT                  PRODUCT             TABLE
13 STUDENT                  PROJECT             TABLE
14 STUDENT                  STAFF               TABLE
Enter a table Number and an action:(n [Q | C | P | I | F | T | O | L])
|Q=Quit      C=cols      P=Primary Key I=Index   F=Foreign Key |
|T=Tab Priv O=Col Priv S=Stats   L=List Tables  |
1c
Schema: STUDENT Table Name: CUSTOMER
CUST_NUM, NOT NULLABLE, INTeGer (10)
FIRST_NAME, NOT NULLABLE, CHARacter (30)
LAST_NAME, NOT NULLABLE, CHARacter (30)
STREET, NULLABLE, CHARacter (128)
CITY, NULLABLE, CHARacter (30)
PROV_STATE, NULLABLE, CHARacter (30)
PZ_CODE, NULLABLE, CHARacter (9)
COUNTRY, NULLABLE, CHARacter (30)
PHONE_NUM, NULLABLE, CHARacter (20)
>> Hit Enter to Continue<<
1p
Primary Keys for STUDENT.CUSTOMER
1 Column: CUST_NUM          Primary Key Name: = NULL
>> Hit Enter to Continue<<
1f
Primary Key and Foreign Keys for STUDENT.CUSTOMER
CUST_NUM STUDENT.ORD_CUST.CUST_NUM
Update Rule SET NULL , Delete Rule: NO ACTION
>> Hit Enter to Continue<<

```

Figure 42. Sample output from an application that uses catalog functions

Related information

ODBC functions

Db2 ODBC provides various SQL-related functions with unique purposes, diagnostics, and restrictions.

The Db2 ODBC shadow catalog

The Db2 ODBC shadow catalog provides increased performance when you need catalog information. To increase the performance of an application that frequently queries the catalog, implement the Db2 ODBC shadow catalog. Redirect catalog functions to the shadow catalog instead of to the native Db2 catalog.

The shadow catalog consists of a set of pseudo-catalog tables that contain rows that represent objects that are defined in the Db2 catalog. These tables are pre-joined and indexed to provide faster catalog access for ODBC applications. Tables in the shadow catalog contain only the columns that are necessary for supporting ODBC operations.

Db2 DataPropagator populates and maintains the Db2 ODBC shadow catalog. Db2 for z/OS supports the DATA CAPTURE CHANGE clause of the ALTER TABLE SQL statement. This support allows Db2 to mark log records that are associated with any statements that change the Db2 catalog.

Additionally, the Db2 DataPropagator Capture and Apply process identifies and propagates the Db2 catalog changes to the Db2 ODBC shadow, based on marked log records.

CLISCHEM is the default schema name for tables that make up the Db2 ODBC shadow catalog. To redirect catalog functions to access these base Db2 ODBC shadow catalog tables, add the entry CLISCHEMA=CLISCHEM to the data source section of the Db2 ODBC initialization file as follows:

```
[DATASOURCE]
MVSDEFAULTSSID=V61A
CLISCHEMA=CLISCHEM
```

Optionally, you can create views for the Db2 ODBC shadow catalog tables that are qualified with your own schema name, and redirect the ODBC catalog functions to access these views instead of the base Db2 ODBC shadow catalog tables. To redirect the catalog functions to access your own set of views, add the entry CLISCHEMA=*myschema* (where *myschema* is the schema name of the set of views that you create) to the data source section of the Db2 ODBC initialization file as follows:

```
[DATASOURCE]
MVSDEFAULTSSID=V61A
CLISCHEMA=PAYROLL
APPLTRACE=1
APPLTRACEFILENAME="DD:APPLTRC"
```

You can use the CREATE VIEW SQL statement to create views of the Db2 ODBC shadow catalog tables. To use your own set of views, you must create a view for each Db2 ODBC shadow catalog table.

Example: Execute the following SQL statement to create a view, where *table_name* is the name of a Db2 ODBC shadow catalog table:

```
CREATE VIEW PAYROLL.table_name AS
SELECT * FROM PAYROLL.table_name WHERE TABLE_SCHEM='USER01';
```

The following table lists the base Db2 ODBC shadow catalog tables and the catalog functions that access these tables.

Table 257. Shadow catalog tables and Db2 ODBC APIs

Shadow catalog table	Db2 ODBC catalog function
CLISCHEM.COLUMNPRIVILEGES	SQLColumnPrivileges()
CLISCHEM.COLUMNS	SQLColumns()
CLISCHEM.FOREIGNKEYS	SQLForeignKeys()
CLISCHEM.PRIMARYKEYS	SQLPrimaryKeys()
CLISCHEM.PROCEDURECOLUMNS	SQLProcedureColumns()
CLISCHEM.PROCEDURES	SQLProcedures()
CLISCHEM.SPECIALCOLUMNS	SQLSpecialColumns()
CLISCHEM.TSTATISTICS	SQLStatistics()
CLISCHEM.TABLEPRIVILEGES	SQLTablePrivileges()
CLISCHEM.TABLE	SQLTables()

Example: If you specify CLISCHEMA=PAYROLL in the data source section of the Db2 ODBC initialization file, the ODBC catalog functions that normally query the Db2 catalog tables (SYSIBM schema) reference a set of views of the ODBC shadow catalog base tables.

The following views access the ODBC shadow catalog base tables:

- PAYROLL.COLUMNS
- PAYROLL.TABLES
- PAYROLL.COLUMNPRIVILEGES
- PAYROLL.TABLEPRIVILEGES

- PAYROLL.SPECIALCOLUMNS
- PAYROLL.PRIMARYKEYS
- PAYROLL.FOREIGNKEYS
- PAYROLL.TSTATISTICS
- PAYROLL.PROCEDURES
- PAYROLL.PROCEDURECOLUMNS

Using arrays to pass parameter values

Db2 ODBC provides an array input method for updating Db2 tables.

In data entry and update applications, users might often insert, delete, or alter many cells in a data entry form before they send these changes to the database. For these situations, Db2 ODBC provides an array input method that eliminates the need for you to call `SQLExecute()` repeatedly on the same INSERT, DELETE, UPDATE, or MERGE statement. In addition, the use of arrays to pass parameter values can reduce network flows.

You pass arrays to parameter markers with the following method:

1. Call `SQLBindParameter()` for each parameter marker that you bind to an input array in memory. Use the following argument values in this function call:
 - Set the *fParamType* argument value to `SQL_PARAM_INPUT`.
 - Point the *rgbValue* argument to the array that contains input data for the parameter marker.
 - For character data and binary input data, specify the length, in bytes, of each element in the input array with the input argument *cbValueMax*. (For other input data types, this argument is ignored.)
 - Optionally, point the *pcbValue* argument to an array that contains the lengths, in bytes, of each value in the input array. Specify each length value in the *pcbValue* array to be the length of the corresponding value in the *rgbValue* array.

For LOB data in files, you can use `SQLBindFileToParam()`.

2. Call `SQLSetStmtAttr()` and specify, in the *crow* argument, the number of rows that the input array contains. This value indicates the number of different values for each parameter.
3. Call `SQLExecute()` to send all the parameter values to the database.

When you insert, update, or merge rows with arrays, use `SQLRowCount()` to verify the number of rows you changed.

Queries with parameter markers that are bound to arrays on the WHERE clause generate multiple sequential result sets. You process each result set that such a query returns individually. After you process the initial result set, call `SQLMoreResults()` to retrieve each additional result set.

INSERT example: Consider an application that performs an array insert, as the right side of [Figure 43 on page 434](#) illustrates. Suppose that this application enables users to change values in the `OVERTIME_WORKED` and `OVERTIME_PAID` columns of a time sheet data entry form. Also, suppose that the primary key of the underlying `EMPLOYEE` table is `EMPLOY_ID`. This application can then request to prepare the following SQL statement:

```
UPDATE EMPLOYEE SET OVERTIME_WORKED= ? and OVERTIME_PAID= ?
WHERE EMPLOY_ID=?
```

Because this statement contains three parameter markers, the application uses three arrays to store input data. When the user makes changes to *n* rows, the application places *n* values in each array. When the user decides to send these changes to the database, the application binds the parameter markers in the prepared SQL statement to the arrays. The application then calls `SQLSetStmtAttr()` with the *crow* argument set to *n*. This value specifies the number of elements in each array.

The following figure shows the two methods of executing a statement with *m* parameters *n* times. Both methods must call `SQLBindParameter()` once for each parameter.

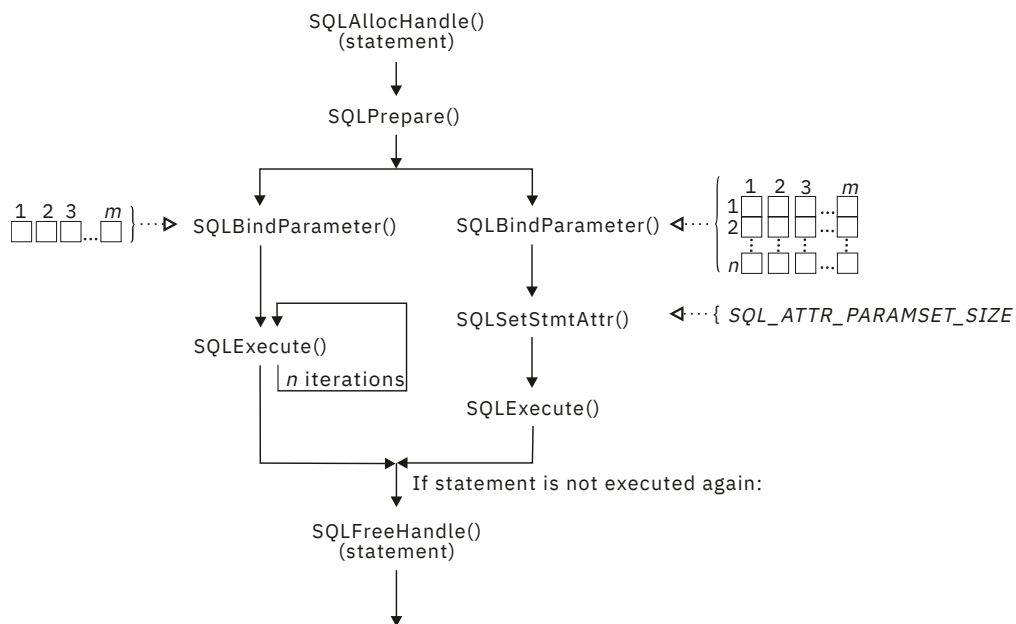


Figure 43. Array insert

The left side of the preceding figure illustrates a method of bulk operations that does not use arrays to pass parameter values. `SQLBindParameter()` binds each parameter marker to a host variable that contains a single value. Because this method does not perform array inserts, `SQLExecute()` is called repeatedly. Before each `SQLExecute()` call, the application updates the variables that are bound to the input parameters. This method calls `SQLExecute()` to execute every operation.

For the method that uses arrays, `SQLExecute()` is called only one time for any number of bulk operations. The array method calls `SQLSetStmtAttr()` with the statement attribute `SQL_ATTR_PARAMSET_SIZE`, and then calls `SQLExecute()`.

The following example shows an array INSERT statement.

```

/* ... */
SQLINTEGER pirow = 0;
SQLCHAR      stmt[] =
"INSERT INTO CUSTOMER ( Cust_Num, First_Name, Last_Name) "
"VALUES (?, ?, ?)";
SQLINTEGER   Cust_Num[25] = {
    10, 20, 30, 40, 50, 60, 70, 80, 90, 100,
    110, 120, 130, 140, 150, 160, 170, 180, 190, 200,
    210, 220, 230, 240, 250
};
SQLCHAR      First_Name[25][31] = {
    "EVA",      "EILEEN",      "THEODORE", "VINCENZO", "SEAN",
    "DOLORES", "HEATHER",      "BRUCE",    "ELIZABETH", "MASATOSHI",
    "MARILYN", "JAMES",        "DAVID",    "WILLIAM",   "JENNIFER",
    "JAMES",   "SALVATORE",   "DANIEL",   "SYBIL",     "MARIA",
    "ETHEL",   "JOHN",        "PHILIP",   "MAUDE",    "BILL"
};

SQLCHAR      Last_Name[25][31] = {
    "SPENSER", "LUCCHESI", "O'CONNELL", "QUINTANA",
    "NICHOLLS", "ADAMSON", "PIANKA", "YOSHIMURA",
    "SCOUTTEN", "WALKER", "BROWN", "JONES",
    "LUTZ", "JEFFERSON", "MARINO", "SMITH",
    "JOHNSON", "PEREZ", "SCHNEIDER", "PARKER",
    "SMITH", "SETRIGHT", "MEHTA", "LEE",
    "GOUNOT"
};
  
```



```

/* ... */
/* Prepare the statement */
rc = SQLPrepare(hstmt, stmt, SQL_NTS);
rc = SQLParamOptions(hstmt, 25, &pirow);
rc = SQLBindParameter(hstmt, 1, SQL_PARAM_INPUT, SQL_C_SLONG, SQL_INTEGER,
                      0, 0, Cust_Num, 0, NULL);
rc = SQLBindParameter(hstmt, 2, SQL_PARAM_INPUT, SQL_C_CHAR, SQL_CHAR,
                      31, 0, First_Name, 31, NULL);
rc = SQLBindParameter(hstmt, 3, SQL_PARAM_INPUT, SQL_C_CHAR, SQL_CHAR,
                      31, 0, Last_Name, 31, NULL);
rc = SQLExecute(hstmt);
printf("Inserted
/* ... */

```

MERGE example: Consider an application that performs an array merge, as Figure 44 on page 436 illustrates. This application merges an array of EMPNO, FIRSTNME, MIDINIT, LASTNAME, and SALARY values into the DSN8C10.EMP sample table. For each row of values that is to be merged:

- If the EMPNO value for the row that is to be merged matches an EMPNO value in the DSN8C10.EMP table, the SALARY value for the existing table row is updated.
- If the EMPNO value for the row that is to be merged does not match an EMPNO value in the DSN8C10.EMP table, the row is inserted into the DSN8C10.EMP table.

The MERGE statement that accomplishes this is:

```

MERGE INTO DSN8C10.EMP AS t
  USING VALUES
    (CAST (? AS CHAR(6)),
     CAST (? AS VARCHAR(12)),
     CAST (? AS CHAR(1)),
     CAST (? AS VARCHAR(15)),
     CAST (? AS INTEGER))
  AS s (EMPNO, FIRSTNME, MIDINIT, LASTNAME, SALARY)
 ON t.EMPNO = s.EMPNO
  WHEN MATCHED THEN UPDATE SET SALARY = s.SALARY
  WHEN NOT MATCHED THEN INSERT
    (EMPNO, s.FIRSTNME, s.MIDINIT, s.LASTNAME, s.SALARY)
 NOT ATOMIC CONTINUE ON SQLEXCEPTION;

```

Because this statement contains five parameter markers, the application uses five arrays to store input data. When you make changes to n rows, the application places n values in each array. When you decide to send these changes to the database, the application binds the parameter markers in the prepared SQL statement to the arrays. The application then calls `SQLSetStmtAttr()` with the `crow` argument set to n . This value specifies the number of elements in each array.

The following figure shows the two methods of executing a MERGE statement with $m+p$ parameters. m is the number of parameters that have one or more values for each parameter. p is the number of parameters in the UPDATE and INSERT parts of the MERGE statement, which have a single value for each parameter.

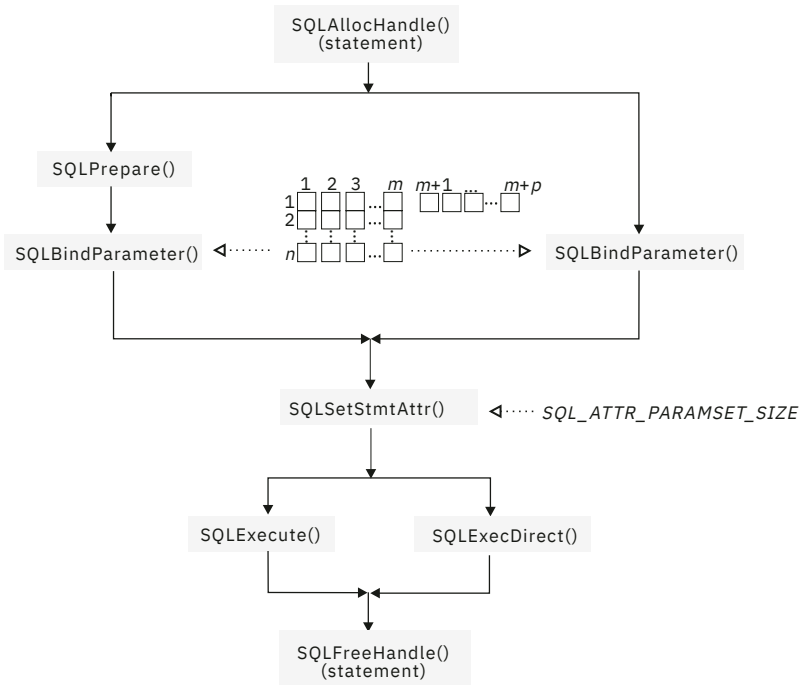


Figure 44. Array merge

The left side of the preceding figure illustrates a method of merging you can use when the MERGE statement needs to be executed more than once. The statement is prepared and executed in two separate steps so that the prepared statement can be used if Db2 is set up for prepared statement caching.

The right side of Figure 44 on page 436 illustrates a method of bulk operations that you can use when the MERGE statement needs to be executed only once. The statement is prepared and executed in a single step.

The following figure shows code for an array MERGE.

```

/* declare and initialize local variables */
SQLINTEGER cRow = 10;
SQLINTEGER
piRow = 0;
SQLCHAR    sqlStmt[] =
    "MERGE INTO DSN8C10.EMP AS t"
    " USING VALUES"
    " (CAST (? AS CHAR(6)), "
    " CAST (? AS VARCHAR(12)), "
    " CAST (? AS CHAR(1)), "
    " CAST (? AS VARCHAR(15)), "
    " CAST (? AS INTEGER))"
    " AS s (EMPNO, FIRSTNME, MIDINIT, LASTNAME, SALARY)"
    " ON t.EMPNO = s.EMPNO"
    " WHEN MATCHED THEN UPDATE SET SALARY = s.SALARY"
    " WHEN NOT MATCHED THEN INSERT"
    " (EMPNO, s.FIRSTNME, s.MIDINIT, s.LASTNAME, s.SALARY)"
    " NOT ATOMIC CONTINUE ON SQLEXCEPTION";
SQLCHAR    empno[10][7];
SQLCHAR    firstname[10][13];
SQLCHAR    middlename[10][2];
SQLCHAR    lastname[10][16];
SQLINTEGER salary[10];
/* set up data for empno, firstname, middlename, lastname and salary */
/* ... */
/* prepare the statement */
rc = SQLPrepare(hstmt, sqlStmt, SQL_NTS);
/* specify the number of rows to be merged */
rc = SQLParamOptions(hstmt, cRow, &piRow);
/* bind the parameters to input arrays */
rc = SQLBindParameter(hstmt, 1, SQL_PARAM_INPUT, SQL_C_CHAR, SQL_CHAR,
    6, 0, empno, 7, NULL);
rc = SQLBindParameter(hstmt, 2, SQL_PARAM_INPUT, SQL_C_CHAR, SQL_VARCHAR,
    12, 0, firstname, 13, NULL);
rc = SQLBindParameter(hstmt, 3, SQL_PARAM_INPUT, SQL_C_CHAR, SQL_CHAR,
    1, 0, middlename, 2, NULL);
rc = SQLBindParameter(hstmt, 4, SQL_PARAM_INPUT, SQL_C_CHAR, SQL_VARCHAR,
    15, 0, lastname, 16, NULL);
rc = SQLBindParameter(hstmt, 5, SQL_PARAM_INPUT, SQL_C_LONG, SQL_INTEGER,
    0, 0, salary, 0, NULL);
/* execute the statement */
rc = SQLExecute(hstmt);
/* display the total number of rows either updated or inserted by MERGE */
printf("MERGEd

```

Figure 45. An application that performs an array merge

Related concepts

[Extended indicators in ODBC applications](#)

ODBC applications can use extended indicators to update all columns in UPDATE, INSERT, and MERGE statements without specifying the current value of columns that do not require changes.

Related reference

[SQLMoreResults\(\)](#) - Check for more result sets

[SQLMoreResults\(\)](#) returns more information about a statement handle. The information can be associated with an array of input parameter values for a query, or a stored procedure that returns results sets.

Retrieval of a result set into an array

An application can issue a query statement and fetch rows from the result set that the query generates.

To fetch rows, you typically bind application variables to columns in the result set with [SQLBindCol\(\)](#). Then you individually fetch each row into these application variables. If you want to store more than one row from the result set in your application, you can follow each fetch with an additional operation. You can save previously fetched values in your application by using one of the following operations before you fetch additional data:

- Copy fetched values to application variables that are not bound to a result set
- Call a new set of [SQLBindCol\(\)](#) functions to assign new application variables to the next fetch

If you do not use one of these operations, each fetch replaces the values that you previously retrieved.

Alternatively, you can retrieve multiple rows of data (called a row set) simultaneously into an array. This method eliminates the overhead of extra data copies or `SQLBindCol()` calls. `SQLBindCol()` can bind an array of application variables. By default, `SQLBindCol()` binds rows in column-wise fashion: this type of bind is similar to using `SQLBindParameter()` to bind arrays of input parameter values, as described in the previous section. You can also bind data in a row-wise fashion to retrieve data into an array.

Column-wise binding for array data

When you retrieve a result set into an array, you can call `SQLBindCol()` to bind application variables to columns in the result set. Before calling this function, you need to call `SQLSetStmtAttr()` to set the number of rows that you want to retrieve.

The following figure is a logical view of column-wise binding.

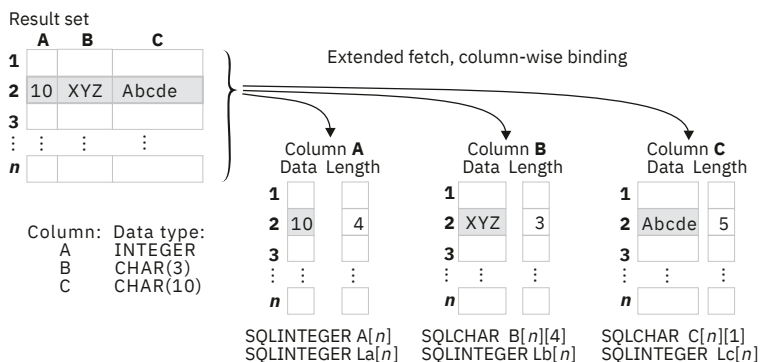


Figure 46. Column-wise binding

To perform column-wise array retrieval, include the following procedure in your application:

1. Call `SQLSetStmtAttr()` to set the rowset size.

If you plan to fetch rows with `SQLExtendedFetch()`, set the `SQL_ATTR_ROWSET_SIZE` attribute set to the number of rows that you want to retrieve with each fetch.

If you plan to fetch rows with `SQLFetchScroll()`, set the `SQL_ATTR_ROW_ARRAY_SIZE` attribute set to the number of rows that you want to retrieve with each fetch.

When the value of the `SQL_ATTR_ROWSET_SIZE` or `SQL_ATTR_ROW_ARRAY_SIZE` attribute is greater than 1 on a statement handle, Db2 ODBC treats deferred output data pointers and length pointers of that handle as pointers to arrays.

2. Call `SQLBindCol()` for each column in the result set. In this call, include the following argument values:

- Point the *rgbValue* argument to an array that is to receive data from the column that you specify with the *icol* argument.
- For character and binary input data, specify the maximum size of the elements in the array with the input argument *cbValueMax*. (For other input data types, this argument is ignored.)
- Optionally, you can retrieve the number of bytes that each complete value requires in the array that is to receive the column data. To retrieve length data, point the *pcbValue* argument to an array that is to hold the number of bytes that Db2 ODBC will return for each retrieved value. Otherwise, you must set this value to NULL.

3. Call `SQLExtendedFetch()` or `SQLFetchScroll()` to retrieve the result data into the array.

For an `SQLExtendedFetch()` call, if the number of rows in the result set is greater than the `SQL_ATTR_ROWSET_SIZE` attribute value, you must call `SQLExtendedFetch()` multiple times to retrieve all the rows.

For an `SQLExtendedScroll()` call, if the number of rows in the result set is greater than the `SQL_ATTR_ROW_ARRAY_SIZE` attribute value, you must call `SQLFetchScroll()` multiple times to retrieve all the rows.

Db2 ODBC uses the value of the maximum buffer size argument to determine where to store each successive result value in the array. You specify this value in the `cbValueMax` argument in `SQLBindCol()`. Db2 ODBC optionally stores the number of bytes that each element contains in a deferred length array. You specify this deferred array in the `pcbValue` argument in `SQLBindCol()`.

Related concepts

Row-wise binding for array data

Row-wise binding associates an entire row of the result set with a structure. You retrieve a rowset that is bound in this manner into an array of structures. Each structure holds the data and associated length fields from an entire row. You use row-wise binding only to retrieve data, and not to send it.

Row-wise binding for array data

Row-wise binding associates an entire row of the result set with a structure. You retrieve a rowset that is bound in this manner into an array of structures. Each structure holds the data and associated length fields from an entire row. You use row-wise binding only to retrieve data, and not to send it.

The following figure gives a pictorial view of row-wise binding.

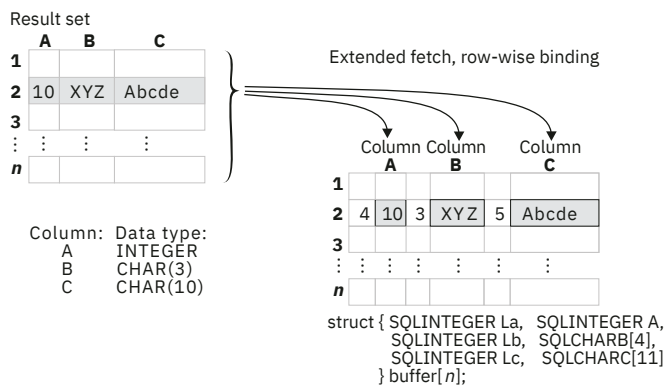


Figure 47. Row-wise binding

You must call `SQLSetStmtAttr()` to set the number of rows that you want to retrieve before you can call `SQLBindCol()`.

To perform row-wise array retrieval, include the following procedure in your application:

1. Call `SQLSetStmtAttr()` to indicate how many rows to retrieve at a time.
 - If you plan to fetch rows with `SQLExtendedFetch()`, set the `SQL_ATTR_ROWSET_SIZE` attribute set to the number of rows that you want to retrieve with each fetch.
 - If you plan to fetch rows with `SQLFetchScroll()`, set the `SQL_ATTR_ROW_ARRAY_SIZE` attribute set to the number of rows that you want to retrieve with each fetch.
2. Call `SQLSetStmtAttr()` again with the `SQL_ATTR_BIND_TYPE` attribute value set to the size of the structure to which the result columns are bound. When Db2 ODBC returns data, it uses the value of the `SQL_ATTR_BIND_TYPE` attribute to determine where to store successive rows in the array of structures.
3. Call `SQLBindCol()` to bind the array of structures to the result set. In this call, include the following argument values:
 - Point the `rgbValue` argument to the address of the element of the first structure in an array that is to receive data from the column that you specify with the `icol` argument.
 - For character and binary input data, specify the length, in bytes, of each element in the array that receives data in the input argument `cbValueMax`. (For other input data types, this argument is ignored.)

- Optionally, point the *pcbValue* argument to the address of the element of the first structure in an array that is to receive the number of bytes that the column value for this bind occupies. Otherwise, set this value to NULL.

4. Call `SQLExtendedFetch()` or `SQLFetchScroll()` to retrieve the result data into the array.

The following figure shows the required functions to return column-wise and row-wise bound data with `SQLExtendedFetch()`. In this figure, *n* is the value of the `SQL_ATTR_ROWSET_SIZE` attribute, and *m* is the number of columns in the result set. The left side of the figure shows how *n* rows are selected and retrieved one row at a time into *m* application variables where The right side of the figure shows how the same *n* rows are selected and retrieved directly into an array.

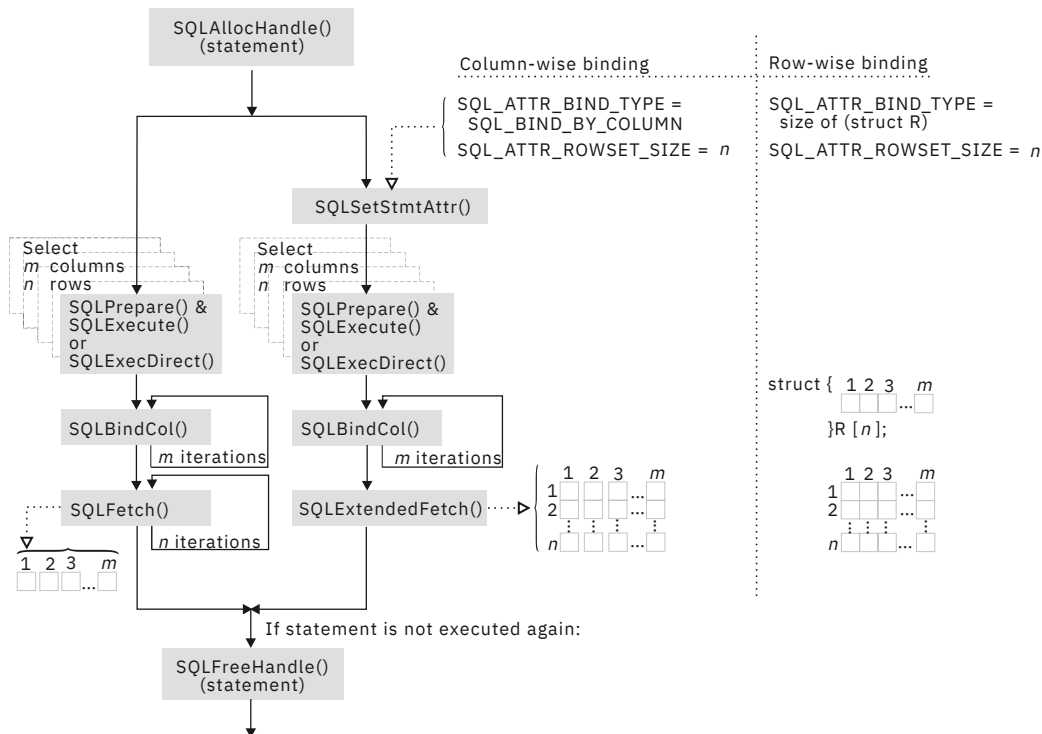


Figure 48. Array retrieval

When you perform array retrieval:

- If you specify the value *n* for `SQL_ATTR_ROWSET_SIZE` (or `SQL_ATTR_ROW_ARRAY_SIZE`, for `SQLFetchScroll()`), you must retrieve the result set into an array of at least *n* elements. Otherwise, a memory overlay might occur.
- To bind *m* columns to application variables or an array, you must always make *m* calls to `SQLBindCol()`.
- If the result set contains more rows than `SQL_ATTR_ROWSET_SIZE` or `SQL_ATTR_ROW_ARRAY_SIZE` specifies, you must make multiple calls to `SQLExtendedFetch()` or `SQLFetchScroll()` to retrieve all the rows in the result set. When you make multiple calls to `SQLExtendedFetch()` or `SQLFetchScroll()`, you must perform an operation between these calls to save the previously fetched data. These operations are listed in *Retrieving a result set into an array*.

Related concepts

Retrieval of a result set into an array

An application can issue a query statement and fetch rows from the result set that the query generates.

The ODBC row status array

The row status array returns the status of each row in the rowset.

You allocate the row status array in your application. Then you specify the address of this array with the `SQL_ATTR_ROW_STATUS_PTR` statement attribute. The array must have as many elements

as are specified by the `SQL_ATTR_ROW_ARRAY_SIZE` statement attribute. `SQLExtendedFetch()`, `SQLFetchScroll()`, or `SQLSetPos()` set the values of the row status array, unless those methods are called after the cursor has been positioned by `SQLExtendedFetch()`. If the value of the `SQL_ATTR_ROW_STATUS_PTR` statement attribute is a null pointer, `SQLExtendedFetch()`, `SQLFetchScroll()`, and `SQLSetPos()` do not return the row status.

The contents of the row status array buffer are undefined if `SQLExtendedFetch()` or `SQLFetchScroll()` does not return `SQL_SUCCESS` or `SQL_SUCCESS_WITH_INFO`.

The following values are returned in the row status array.

Table 258. Values returned in a row status array

Row status array value	Description
<code>SQL_ROW_SUCCESS</code>	The row was successfully fetched.
<code>SQL_ROW_SUCCESS_WITH_INFO</code>	The row was successfully fetched, but a warning was returned about the row.
<code>SQL_ROW_ERROR</code>	An error occurred when the row was fetched.
<code>SQL_ROW_ADDED</code>	<p>The row was inserted by <code>SQLBulkOperations()</code>. If the row is fetched again, or is refreshed by <code>SQLSetPos()</code>, its status is <code>SQL_ROW_SUCCESS</code>.</p> <p>This value is not set by <code>SQLExtendedFetch()</code> or <code>SQLFetchScroll()</code>.</p> <p>Db2 ODBC does not make inserted rows visible to a scrollable cursor result set, so it does not return this value.</p>
<code>SQL_ROW_UPDATED</code>	<p>The row was successfully fetched and has changed since it was last fetched from this result set. If the row is fetched again from this result set, or is refreshed by <code>SQLSetPos()</code>, the status changes to the new status for the row.</p> <p>Db2 ODBC makes updated rows visible if they continue to satisfy the predicate of the query. Therefore, for <code>SQLBulkOperations()</code> or <code>SQLSetPos()</code>, Db2 ODBC can indicate <code>SQL_ROW_UPDATED</code>, and the row can be visible upon refetch. However, Db2 ODBC cannot detect a change in value from the last fetch. It returns <code>SQL_SUCCESS</code> for a fetch.</p>
<code>SQL_ROW_DELETED</code>	<p>The row was deleted after it was last fetched from this result set.</p> <p>Db2 ODBC does not make deleted rows visible to a scrollable cursor result set, so it does not return this value.</p>
<code>SQL_ROW_NOROW</code>	The rowset overlapped the end of the result set, and no row was returned that corresponds to the corresponding element of the row status array.

Related reference

[SQLBulkOperations\(\)](#) - Add, update, delete or fetch a set of rows

`SQLBulkOperations()` adds new rows to the base table or view that is associated with a dynamic cursor for the current query.

[SQLFetch\(\)](#) - Fetch the next row

SQLFetch() advances the cursor to the next row of the result set and retrieves any bound columns. Columns can be bound to either the application storage or LOB locators.

SQLFetchScroll() - Fetch the next row

SQLFetchScroll() fetches the specified rowset of data from the result set of a query and returns data for all bound columns. Rowsets can be specified at an absolute position or a relative position.

SQLSetPos - Set the cursor position in a rowset

SQLSetPos() sets the cursor position in a rowset. Once the cursor is set, the application can refresh, update, and delete data in the rows.

Column-wise and row-wise binding example

An application can bind rows and columns of a result set to a structure.

The following example shows an application that binds rows and columns of a result set to a structure.

```
/* ... */
#define NUM_CUSTOMERS 25
SQLCHAR      stmt[] =
{ "WITH " /* Common Table expression (or Define Inline View) */
  "order (ord_num, cust_num, prod_num, quantity, amount) AS "
  "("
  "SELECT c.ord_num, c.cust_num, l.prod_num, l.quantity, "
  "       price(char(p.price, '.'), p.units, char(l.quantity, '.')) "
  "FROM ord_cust c, ord_line l, product p "
  "WHERE c.ord_num = l.ord_num AND l.prod_num = p.prod_num "
  "AND cust_num = CNUM(cast (? as integer)) "
  ")", "
  "totals (ord_num, total) AS "
  "("
  "SELECT ord_num, sum(decimal(amount, 10, 2)) "
  "FROM order GROUP BY ord_num "
  ")", "
  /* The 'actual' SELECT from the inline view */
  "SELECT order.ord_num, cust_num, prod_num, quantity, "
  "       DECIMAL(amount,10,2) amount, total "
  "FROM order, totals "
  "WHERE order.ord_num = totals.ord_num "
};
/* Array of customers to get list of all orders for */
SQLINTEGER   Cust[]=
{
  10, 20, 30, 40, 50, 60, 70, 80, 90, 100,
  110, 120, 130, 140, 150, 160, 170, 180, 190, 200,
  210, 220, 230, 240, 250
};
#define NUM_CUSTOMERS sizeof(Cust)/sizeof(SQLINTEGER)
/* Row-wise (Includes buffer for both column data and length) */
struct {
  SQLINTEGER   Ord_Num_L;
  SQLINTEGER   Ord_Num;
  SQLINTEGER   Cust_Num_L;
  SQLINTEGER   Cust_Num;
  SQLINTEGER   Prod_Num_L;
  SQLINTEGER   Prod_Num;
  SQLINTEGER   Quant_L;
  SQLDOUBLE    Quant;
  SQLINTEGER   Amount_L;
  SQLDOUBLE    Amount;
  SQLINTEGER   Total_L;
  SQLDOUBLE    Total;
}
Ord[ROWSET_SIZE];
SQLINTEGER   pirow = 0;
SQLINTEGER   pcrow;
SQLINTEGER   i;
SQLINTEGER   j;
/* ... */
/* Get details and total for each order row-wise */
rc = SQLAllocHandle(SQL_HANDLE_STMT, hdbc, &hstmt);
rc = SQLParamOptions(hstmt, NUM_CUSTOMERS, &pirow);
rc = SQLBindParameter(hstmt, 1, SQL_PARAM_INPUT, SQL_C_LONG, SQL_INTEGER,
  0, 0, Cust, 0, NULL);
rc = SQLExecDirect(hstmt, stmt, SQL_NTS);
/* SQL_ROWSET_SIZE sets the max number */
/* of result rows to fetch each time */
rc = SQLSetStmtAttr(hstmt, SQL_ATTR_ROWSET_SIZE,
```



```

        (void *)ROWSET_SIZE, 0);
/* Set size of one row, used for row-wise binding only */
rc = SQLSetStmtAttr(hstmt, SQL_ATTR_BIND_TYPE,
        (void *)sizeof(Ord) / ROWSET_SIZE, 0);
/* Bind column 1 to the Ord_num Field of the first row in the array*/
rc = SQLBindCol(hstmt, 1, SQL_C_LONG, (SQLPOINTER) &Ord[0].Ord_Num, 0,
        &Ord[0].Ord_Num_L);
/* Bind remaining columns ... */
/* ... */
/* NOTE: This sample assumes that an order never has more
        rows than ROWSET_SIZE. A check should be added below to call
        SQLExtendedFetch multiple times for each result set.
*/
do /* for each result set .... */
{ rc = SQLExtendedFetch(hstmt, SQL_FETCH_NEXT, 0, &pcrow, NULL);
  if (pcrow > 0) /* if 1 or more rows in the result set */
  {
    i = j = 0;
    printf("*****\n");
    printf("Orders for Customer: 0].Cust_Num);
    printf("*****\n");
    while (i < pcrow)
    { printf("\nOrder #: i].Ord_Num);
      printf("      Product  Quantity          Price\n");
      printf("      -----\n");
      j = i;
      while (Ord[j].Ord_Num == Ord[i].Ord_Num)
      { printf("      %8ld %16.7lf %12.2lf\n",
        Ord[i].Prod_Num, Ord[i].Quant, Ord[i].Amount);
        i++;
      }
      printf("      j].Total);
      printf("*****\n");
    } /* end while */
  } /* end if */
}
while ( SQLMoreResults(hstmt) == SQL_SUCCESS);
/* ... */

```

Figure 49. An application that retrieves data into an array by column and by row

ODBC limited block fetch

The Db2 ODBC driver can use limited block fetch to improve performance of FETCH operations on a local Db2 for z/OS server.

With *limited block fetch*, the local Db2 for z/OS server groups the rows that are retrieved by an SQL query into a block of rows in a query buffer. The Db2 ODBC driver retrieves those blocks of rows from the query buffer. Applications that perform single-row fetches or multi-row fetches from large result sets with the SQLFetch(), SQLExtendedFetch() or SQLFetchScroll() function can benefit from limited block fetch. Retrieval of a large number of rows at one time can offer better performance than multiple retrievals of fewer rows.

You can enable limited block fetch without any making any changes to your applications. To enable limited block fetch:

- Set the LIMITEDBLOCKFETCH initialization keyword to 1.
1 is the default value.
- If the default value of 32767 bytes does not provide adequate performance, adjust the QUERYDATASIZE initialization parameter to set the number of bytes that are transferred at one time during FETCH processing. In general, a larger value of QUERYDATASIZE results in fewer trips to the data source, which can result in better performance.

Limited block fetch is effective only for non-scrollable cursors that do not update or delete data.

For applications that use locators when retrieving LOB data from a result set, set LIMITEDBLOCKFETCH to 0. Otherwise, if you attempt to use the SQLGetData() function to retrieve a LOB locator into an application variable after the data has been fetched, the function call fails.

Also, for applications that use the SQL_C_BINARYXML data type, set LIMITEDBLOCKFETCH to 0. Otherwise, if you attempt to use the SQLGetData() function to retrieve XML data and have LIMITEDBLOCKFETCH set to 1, the function call fails.

When you enable limited block fetch, the data that is returned to your application might not reflect the data that has been committed to the source table. For example, suppose that limited block fetch is enabled, and that your application issues SQLFetch() to fetch a row from a result set. Db2 ODBC retrieves and stores a block of rows. Suppose that another application concurrently deletes all subsequent rows from the table. The next SQLFetch() calls by your application retrieve subsequent rows from the stored block of rows. However, those rows no longer exist in the table. If your application fetches data from tables that are updated by other users, or if your application uses savepoints and issues ROLLBACK TO SAVEPOINT to manage transactions, you should disable limited block fetch.

Related reference

[Db2 ODBC initialization keywords](#)

Db2 ODBC initialization keywords control the run time environment for Db2 ODBC applications.

Scrollable cursors in Db2 ODBC

Scrollable cursors let you move backward and forward in a query result set.

The ability to scroll back and forth in a result set is essential for applications that need to return to previously fetched rows. Without scrollable cursors, those applications need to implement expensive, cumbersome methods for accessing fetched data again, such as closing and reopening cursors, or caching result sets. Because there is a performance cost for scrollable cursors, you should define scrollable cursors only when your applications require them.

Scrollable cursor characteristics in Db2 ODBC

In Db2 ODBC, scrollable cursors are defined by whether they are static or dynamic. Scrollable cursors are also defined by their sensitivity, and their concurrency.

Static or dynamic cursors

Scrollable cursors can be static or dynamic. Static and dynamic cursors differ in their ability to detect updates, deletes, and inserts into the result set. The definitions of static and dynamic cursors are:

Static

A read-only cursor. After the cursor is opened, it does not detect any inserts, deletes or updates that are made by its application, or by any other application.

Dynamic

A cursor that is sensitive to all inserts, deletes, and updates to the result set that occur after the cursor is opened. A dynamic cursor can insert into, delete from, or update the result set.

How to set the characteristics of a Db2 ODBC cursor

Before executing a query, an application can specify the cursor type by calling SQLSetStmtAttr(), with the statement attribute SQL_ATTR_CURSOR_TYPE. The default cursor type is forward-only.

An application can specify the characteristics of a cursor rather than specifying the cursor type. The application does this by setting the following statement attributes through SQLSetStmtAttr():

- SQL_ATTR_CURSOR_SCROLLABLE
- SQL_ATTR_CURSOR_SENSITIVITY

The ODBC driver selects the cursor type that most efficiently provides the characteristics that the application requests.

Whenever an application sets any of the following statement attributes, the ODBC driver changes the other statement attributes in this set, to keep the behavior consistent:

- SQL_ATTR_CONCURRENCY
- SQL_ATTR_CURSOR_SCROLLABLE
- SQL_ATTR_CURSOR_SENSITIVITY
- SQL_ATTR_CURSOR_TYPE

The following table lists the default attributes for each cursor type in Db2 ODBC.

Table 259. Cursor attributes for each cursor type

Cursor type	Cursor sensitivity	Cursor concurrency	Cursor scrollability
Forward-only	Unspecified	Read-only concurrency	Not scrollable
Static	Insensitive	Read-only concurrency	Scrollable
Dynamic	Sensitive	Lock concurrency	Scrollable

How to determine which characteristics are supported

Not all database servers support all types of scrollable cursors. Therefore, before you can use a scrollable cursor, you must determine whether scrollable cursors are supported.

To determine the types of scrollable cursors that are supported by the ODBC driver and the data source, and the capabilities that are supported for each scrollable cursor type, call `SQLGetInfo()`. Specify the following *InfoType* values:

- SQL_CURSOR_SENSITIVITY
- SQL_SCROLL_OPTIONS
- SQL_FORWARD_ONLY_CURSOR_ATTRIBUTES1
- SQL_FORWARD_ONLY_CURSOR_ATTRIBUTES2
- SQL_KEYSET_CURSOR_ATTRIBUTES1
- SQL_KEYSET_CURSOR_ATTRIBUTES2
- SQL_DYNAMIC_CURSOR_ATTRIBUTES1
- SQL_DYNAMIC_CURSOR_ATTRIBUTES2

Relative and absolute scrolling in Db2 ODBC applications

When you use a scrollable cursor, you call `SQLFetchScroll()` to move the cursor and fetch rows. The set of rows that you fetch is called a *rowset*.

The `SQLFetchScroll()` function supports relative scrolling (moving to the next row, the previous row, or forward or backward by *n* rows) and absolute scrolling (moving to the first row, the last row, or to row number *n*). The *FetchOrientation* parameter of the `SQLFetchScroll()` call determines the type of scrolling. Possible values are:

- SQL_FETCH_NEXT
- SQL_FETCH_PRIOR
- SQL_FETCH_FIRST
- SQL_FETCH_LAST
- SQL_FETCH_ABSOLUTE
- SQL_FETCH_RELATIVE

For `SQL_FETCH_ABSOLUTE`, the *FetchOffset* parameter determines the row to which the cursor moves. For `SQL_FETCH_RELATIVE`, the *FetchOffset* parameter determines the number of rows by which the cursor moves.

The following figure demonstrates how the cursor moves within a result set for `SQLFetchScroll()` calls with various `FetchOffset` and `FetchOrientation` parameter values. In this example, the rowset size is 3, and the original cursor position is at three rows from the end of the result set.

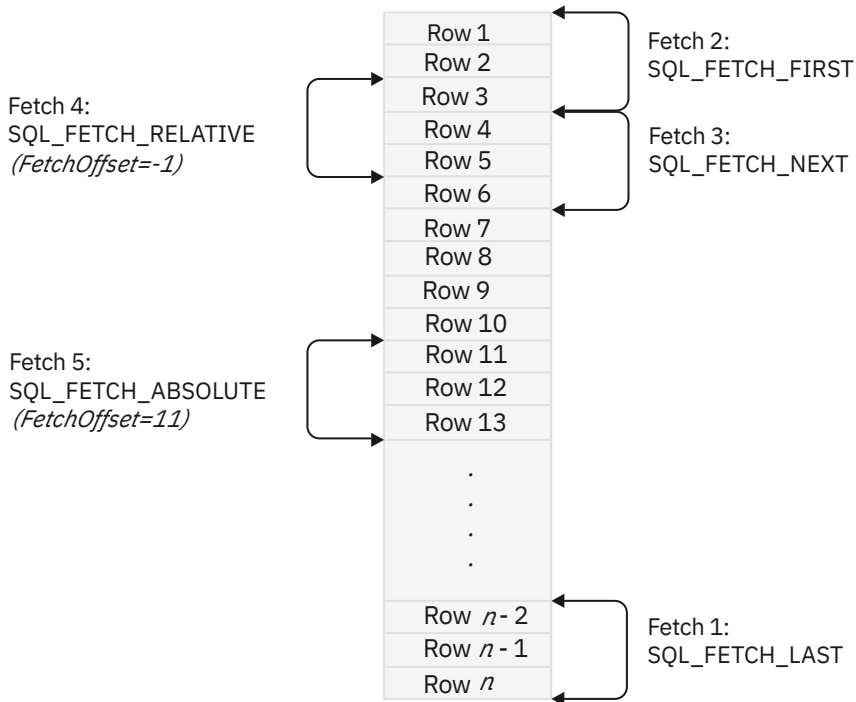


Figure 50. Example of cursor movement after `SQLFetchScroll()` calls

You cannot assume that the entire rowset contains data. Your application must check the rowset size after each fetch, to determine whether the rowset contains a complete set of rows. For example, suppose that you set the rowset size to 10, and you call `SQLFetchScroll()` using a `FetchOrientation` value of `SQL_FETCH_ABSOLUTE` and a `FetchOffset` value of `-3`. As the following figure shows, this function call sets the cursor position at three rows from the end of the result set, and attempts to fetch 10 rows.

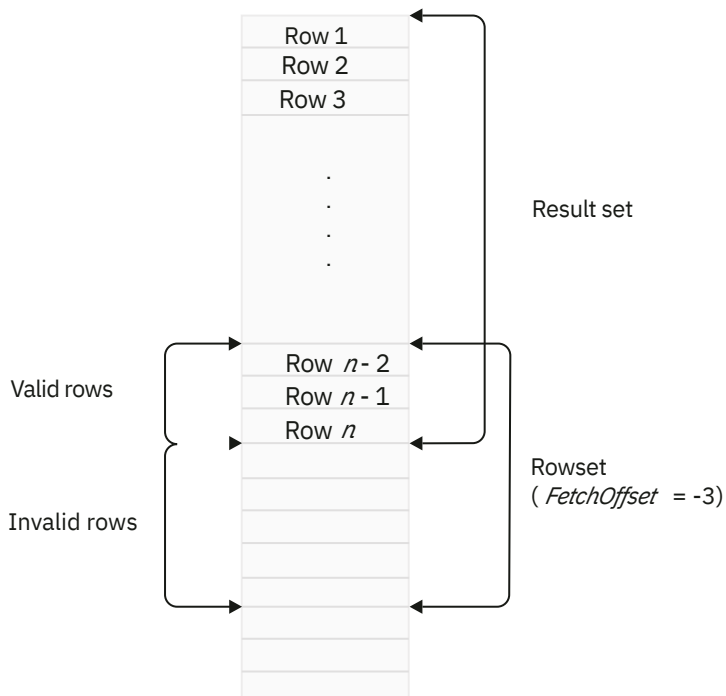


Figure 51. Example of a `SQLFetchScroll()` call that returns an incomplete rowset

After the fetch, only the first three rows of the rowset contain meaningful data, so your application must use the data in only those three rows.

Related concepts

[The ODBC row status array](#)

The row status array returns the status of each row in the rowset.

Related reference

[SQLFetchScroll\(\) - Fetch the next row](#)

[SQLFetchScroll\(\)](#) fetches the specified rowset of data from the result set of a query and returns data for all bound columns. Rowsets can be specified at an absolute position or a relative position.

Steps for retrieving data with scrollable cursors in a Db2 ODBC application

To use a scrollable cursor in a Db2 ODBC application, you must set the rowset size, specify the scrollable cursor type, set up areas to contain the results of data retrieval, bind the application data, determine the result set size, fetch data, move the cursor multiple times, and close the cursor.

Procedure

To retrieve data with scrollable cursors:

1. Call `SQLSetStmtAttr()` to specify the size of the rowset that is returned from the result set.

Set the `SQL_ATTR_ROW_ARRAY_SIZE` statement attribute to the number of rows that are returned for each fetch operation. The default rowset size is 1.

For example, this call declares a rowset size of 35 rows:

```
#define ROWSET_SIZE 35
/* ... */
rc = SQLSetStmtAttr(hstmt,
                    SQL_ATTR_ROW_ARRAY_SIZE,
                    (SQLPOINTER) ROWSET_SIZE,
                    0);
```

2. Call `SQLSetStmtAttr()` to specify whether to use a static or dynamic scrollable cursor. Set the `SQL_ATTR_CURSOR_TYPE` statement attribute to `SQL_CURSOR_STATIC` for a static read-only cursor, or to `SQL_CURSOR_DYNAMIC` for a dynamic cursor.

The default cursor type is `SQL_CURSOR_FORWARD_ONLY`.

For example, this call specifies a static cursor:

```
rc = SQLSetStmtAttr(hstmt,
                    SQL_ATTR_CURSOR_TYPE,
                    (SQLPOINTER) SQL_CURSOR_STATIC,
                    0);
```

3. Declare a storage area of type `SQLINTEGER` to contain the number or rows that are returned in the rowset from each call to `SQLFetchScroll()`. Call `SQLSetStmtAttr()` to specify the location of that storage area.

Set the `SQL_ATTR_ROWS_FETCHED_PTR` statement attribute as a pointer to the storage area.

For example, this code sets up the `rowsFetchedNb` variable as the storage area for the number of rows that are returned:

```
/* ... */
SQLINTEGER rowsFetchedNb;
/* ... */
rc = SQLSetStmtAttr(hstmt,
                    SQL_ATTR_ROWS_FETCHED_PTR,
                    &rowsFetchedNb,
                    0);
```

4. Declare a storage area that is an array of `SQLUSMALLINT` values, to contain the row status array. Call `SQLSetStmtAttr()` to specify the location of the row status array.

Set the `SQL_ATTR_ROW_STATUS_PTR` statement attribute as a pointer to the row status array.

The size of the row status array must be equal to the rowset size that is defined with the `SQL_ATTR_ROW_ARRAY_SIZE` statement attribute.

For example, this code sets up array `row_status` as a row status array:

```
/* ... */
SQLUSMALLINT row_status[ROWSET_SIZE];
/* ... */
/* Set a pointer to the array to use for the row status */
rc = SQLSetStmtAttr(hstmt,
                   SQL_ATTR_ROW_STATUS_PTR,
                   (SQLPOINTER)
                   row_status,
                   0);
```

5. Execute a SQL SELECT statement that defines the result set. Bind the results using column-wise or row-wise binding.

This step is the same as for non-scrollable cursors.

6. Call `SQLRowCount()` to determine the number of rows in the result set.

7. Fetch rowsets of rows from the result set. To do that:

- a) Call `SQLFetchScroll()` to fetch a rowset of data from the result set.

Set the *FetchOrientation* and *FetchOffset* arguments to indicate the location of the rowset in the result set.

- b) Determine the number of rows that were returned in the result set.

Db2 ODBC sets this value after each call to `SQLFetchScroll()`, in the location to which statement attribute `SQL_ATTR_ROWS_FETCHED_PTR` points, and in the row status array.

For example, this call sets the cursor at the eleventh row of the result set, and fetches a rowset:

```
rc = SQLFetchScroll(hstmt, /* Statement handle */
                  SQL_FETCH_ABSOLUTE, /* FetchOrientation value */
                  11); /* Offset value */
```

- c) Display or manipulate the retrieved rows.

- d) Repeat the previous substeps in this step to scroll and fetch more rowsets.

8. After you have retrieved all rowsets, close the cursor by calling `SQLCloseCursor()`, or free the statement handle by calling `SQLFreeHandle()` with a *HandleType* value of `SQL_HANDLE_STMT`. When you free the statement handles, the result set closes.

Related concepts

[The ODBC row status array](#)

The row status array returns the status of each row in the rowset.

[ODBC scrollable cursor example](#)

This ODBC program is an example of how a scrollable cursor can be used to move backward and forward through a result set.

Related reference

[SQLFetchScroll\(\)](#) - Fetch the next row

`SQLFetchScroll()` fetches the specified rowset of data from the result set of a query and returns data for all bound columns. Rowsets can be specified at an absolute position or a relative position.

[SQLGetInfo\(\)](#) - Get general information

`SQLGetInfo()` returns general information about the database management systems to which the application is currently connected. For example, `SQLGetInfo()` indicates which data conversions are supported.

[SQLRowCount\(\)](#) - Get row count

`SQLRowCount()` returns the number of rows in a table that were affected by an UPDATE, INSERT, DELETE, or MERGE statement. You can call `SQLRowCount()` against a table or against a view that is

based on the table. `SQLExecute()` or `SQLExecDirect()` must be called before `SQLRowCount()` is called.

SQLSetStmtAttr() - Set statement attributes

`SQLSetStmtAttr()` sets attributes that are related to a statement. To set an attribute for all statements that are associated with a specific connection, an application can call `SQLSetConnectAttr()`.

ODBC scrollable cursor example

This ODBC program is an example of how a scrollable cursor can be used to move backward and forward through a result set.

```

/*****
/* Include the 'C' include files
/*****
#include <stdio.h>
#include <string.h>
#include <stdlib.h>
#include "sqlcli1.h"

/*****
/* Variables
/*****

#ifndef NULL
#define NULL 0
#endif

SQLHENV henv = SQL_NULL_HENV;
SQLHDBC hdbc = SQL_NULL_HDBC;
SQLHDBC hstmt= SQL_NULL_HSTMT;
SQLRETURN rc = SQL_SUCCESS;
SQLINTEGER i,j,id;
SQLCHAR name[51];
SQLINTEGER namelen, intlen, colcount;
struct sqlca sqlca;
SQLCHAR server[18];
SQLCHAR uid[30];
SQLCHAR pwd[30];
SQLCHAR sqlstmt[500];

SQLINTEGER H1INT4;
SQLCHAR H1CHR10[11];

SQLINTEGER LNH1INT4;
SQLINTEGER LNH1CHR10;

SQLINTEGER output_nts,autocommit,cursor_hold;

// scrollable cursors
#define ROWSET_SIZE 10
SQLINTEGER numrowsfetched;
SQLUSMALLINT rowStatus[ROWSET_SIZE];
static char ROWSTATVALUE[][26] = { "SQL_ROW_SUCCESS", \
"SQL_ROW_SUCCESS_WITH_INFO", \
"SQL_ROW_ERROR", \
"SQL_ROW_NOROW" };

// column-wise binding
SQLINTEGER SH1INT4[ROWSET_SIZE];
SQLCHAR SH1CHR10[ROWSET_SIZE][11];
SQLINTEGER SLNH1CHR10[ROWSET_SIZE];

SQLRETURN check_error(SQLSMALLINT,SQLHANDLE,SQLRETURN,int,char *);
SQLRETURN print_error(SQLSMALLINT,SQLHANDLE,SQLRETURN,int,char *);
SQLRETURN prt_sqlca(void);
#define CHECK_HANDLE( htype, hndl, rc ) if ( rc != SQL_SUCCESS ) \
{check_error(htype,hndl,rc,__LINE__,__FILE__);goto dberror;}

/*****
/* Main Program
/*****
int main()
{
```

```

printf("APDLX INITIALIZATION\n");
//*****
printf("APDLX SQLAllocHandle-Environment\n");
henv=0;
rc = SQLAllocHandle( SQL_HANDLE_ENV, SQL_NULL_HANDLE, &henv );
CHECK_HANDLE( SQL_HANDLE_ENV, henv, rc );
printf("APDLX-henv=%i\n",henv);
//*****
printf("APDLX SQLAllocHandle-Connection\n");
hdbc=0;
rc=SQLAllocHandle( SQL_HANDLE_DBC, henv, &hdbc);
CHECK_HANDLE( SQL_HANDLE_DBC, hdbc, rc );
printf("APDLX-hdbc=%i\n",hdbc);
//*****
printf("APDLX SQLConnect\n");
strcpy((char *)uid,"sysadm");
strcpy((char *)pwd,"sysadm");
strcpy((char *)server,"stlec1"); //uwo setting
rc=SQLConnect(hdbc, server, SQL_NTS, uid, SQL_NTS, pwd, SQL_NTS);
CHECK_HANDLE( SQL_HANDLE_DBC, hdbc, rc );
printf("APDLX successfully issued a SQLconnect\n");

//*****
printf("APDLX SQLAllocHandle-Statement\n");
hstmt=0;
rc=SQLAllocHandle( SQL_HANDLE_STMT, hdbc, &hstmt);
CHECK_HANDLE( SQL_HANDLE_STMT, hstmt, rc );
printf("APDLX hstmt=%i\n",hstmt);
printf("APDLX successfully issued a SQLAllocStmt\n");

/* Set the number of rows in the rowset */
printf("APDLX SQLSetStmtAttr\n");
rc = SQLSetStmtAttr( hstmt,
                    SQL_ATTR_ROW_ARRAY_SIZE,
                    (SQLPOINTER) ROWSET_SIZE,
                    0);
CHECK_HANDLE( SQL_HANDLE_STMT, hstmt, rc );

/* Set the cursor type */
printf("APDLX SQLSetStmtAttr\n");
rc = SQLSetStmtAttr( hstmt,
                    SQL_ATTR_CURSOR_TYPE,
                    (SQLPOINTER) SQL_CURSOR_STATIC,
                    0);
CHECK_HANDLE( SQL_HANDLE_STMT, hstmt, rc );

/* Set the pointer to the variable numrowsfetched: */
printf("APDLX SQLSetStmtAttr\n");
rc = SQLSetStmtAttr( hstmt,
                    SQL_ATTR_ROWS_FETCHED_PTR,
                    &numrowsfetched,
                    0);
CHECK_HANDLE( SQL_HANDLE_STMT, hstmt, rc );

/* Set pointer to the row status array */
printf("APDLX SQLSetStmtAttr\n");
rc = SQLSetStmtAttr( hstmt,
                    SQL_ATTR_ROW_STATUS_PTR,
                    (SQLPOINTER) rowStatus,
                    0);
CHECK_HANDLE( SQL_HANDLE_STMT, hstmt, rc );

printf("APDLX SQLExecDirect\n");
strcpy((char *)sqlstmt,"SELECT INT4,CHR10 FROM TABLE2A");
printf("APDLX sqlstmt=%s\n",sqlstmt);
rc=SQLExecDirect(hstmt,sqlstmt,SQL_NTS);
printf("APDLX rc=%i\n",rc);
CHECK_HANDLE( SQL_HANDLE_STMT, hstmt, rc );

printf("APDLX SQLColAttributes\n");
colcount=-1;
rc=SQLColAttributes(hstmt,
                    0,
                    SQL_COLUMN_COUNT,
                    NULL,
                    0,
                    NULL,
                    &colcount);
CHECK_HANDLE( SQL_HANDLE_STMT, hstmt, rc );
if(colcount!=2)
{
    printf("\nAPDLX colcount=%i\n",colcount);
}

```



```

    goto dberror;
}

printf("APDLX SQLBindCol\n");
H1INT4=-1;
LNH1INT4=-1;
rc=SQLBindCol(hstmt,
              1,
              SQL_C_LONG,
              (SQLPOINTER) SH1INT4,
              (SQLINTEGER)sizeof(H1INT4),
              (SQLINTEGER *) &LNH1INT4);
if( rc != SQL_SUCCESS ) goto dberror;
CHECK_HANDLE( SQL_HANDLE_STMT, hstmt, rc );

printf("APDLX SQLBindCol\n");
strcpy(H1CHR10,"garbage");
LNH1CHR10=-1;
rc=SQLBindCol(hstmt,
              2,
              SQL_C_DEFAULT,
              (SQLPOINTER) SH1CHR10,
              11,
              SLNH1CHR10 );
if( rc != SQL_SUCCESS ) goto dberror;
CHECK_HANDLE( SQL_HANDLE_STMT, hstmt, rc );

printf("\nUse Column-Wise Binding to demonstrate SQLFetchScroll():\n");
printf("\nINT4      CHAR10      \n");
printf("-----  -----  \n");

printf("APDLX SQLFetchScroll FIRST      \n");
rc = SQLFetchScroll(hstmt, SQL_FETCH_FIRST, 0);
/* Indicate how many rows were in the result set. */
if( rc != SQL_NO_DATA && rc != SQL_SUCCESS)
    CHECK_HANDLE( SQL_HANDLE_STMT, hstmt, rc );
printf("(%i rows in rowset). ***\n", numrowsfetched);
for( i = 0; i < numrowsfetched; i++) {
    printf("%8ld %14s\n", SH1INT4[i], SH1CHR10[i]);
}
/* Output the Row Status Array if the complete rowset was not returned. */
if( numrowsfetched != ROWSET_SIZE ) {
    printf(" Previous rowset was not full, here is the Row Status Array:\n");
    for( i = 0; i < ROWSET_SIZE; i++)
        printf(" Row Status Array[%i] = %s\n", i, ROWSTATVALUE[rowStatus[i]]);
}

printf("APDLX SQLFetchScroll NEXT      \n");
rc = SQLFetchScroll(hstmt, SQL_FETCH_NEXT, 0);

/* Indicate how many rows were in the result set. */
if( rc != SQL_NO_DATA && rc != SQL_SUCCESS)
    CHECK_HANDLE( SQL_HANDLE_STMT, hstmt, rc );
printf("(%i rows in rowset). ***\n", numrowsfetched);
for( i = 0; i < numrowsfetched; i++) {
    printf("%8ld %14s\n", SH1INT4[i], SH1CHR10[i]);
}
/* Output the Row Status Array if the complete rowset was not returned. */
if( numrowsfetched != ROWSET_SIZE ) {
    printf(" Previous rowset was not full, here is the Row Status Array:\n");
    for( i = 0; i < ROWSET_SIZE; i++)
        printf(" Row Status Array[%i] = %s\n", i, ROWSTATVALUE[rowStatus[i]]);
}

printf("APDLX SQLFetchScroll SQL_FETCH_ABSOLUTE 3 \n");
rc = SQLFetchScroll(hstmt, SQL_FETCH_ABSOLUTE, 3);
/* Indicate how many rows were in the result set. */
if( rc != SQL_NO_DATA && rc != SQL_SUCCESS)
    CHECK_HANDLE( SQL_HANDLE_STMT, hstmt, rc );
printf("(%i rows in rowset). ***\n", numrowsfetched);
for( i = 0; i < numrowsfetched; i++) {
    printf("%8ld %14s\n", SH1INT4[i], SH1CHR10[i]);
}
/* Output the Row Status Array if the complete rowset was not returned. */
if( numrowsfetched != ROWSET_SIZE ) {
    printf(" Previous rowset was not full, here is the Row Status Array:\n");
    for( i = 0; i < ROWSET_SIZE; i++)
        printf(" Row Status Array[%i] = %s\n", i, ROWSTATVALUE[rowStatus[i]]);
}

printf("APDLX SQLFetchScroll SQL_FETCH_RELATIVE -1 \n");
rc = SQLFetchScroll(hstmt, SQL_FETCH_RELATIVE, -1);

```

```

/* Indicate how many rows were in the result set. */
if (rc != SQL_NO_DATA && rc != SQL_SUCCESS)
    CHECK_HANDLE( SQL_HANDLE_STMT, hstmt, rc );
printf("(%i rows in rowset). ***\n", numrowsfetched);
for (i = 0; i < numrowsfetched; i++) {
    printf("%8ld %14s\n", SH1INT4[i], SH1CHR10[i]);
}
/* Output the Row Status Array if the complete rowset was not returned. */
if (numrowsfetched != ROWSET_SIZE) {
    printf(" Previous rowset was not full, here is the Row Status Array:\n");
    for (i = 0; i < ROWSET_SIZE; i++)
        printf(" Row Status Array[%i] = %s\n", i, ROWSTATVALUE[rowStatus[i]]);
}

printf("APDLX SQLFetchScroll SQL_FETCH_FIRST again \n");
rc = SQLFetchScroll(hstmt, SQL_FETCH_FIRST, 0);
printf("rc=%d\n", rc);
/* Indicate how many rows were in the result set. */
if (rc != SQL_NO_DATA && rc != SQL_SUCCESS)
    CHECK_HANDLE( SQL_HANDLE_STMT, hstmt, rc );
printf("(%i rows in rowset). ***\n", numrowsfetched);
for (i = 0; i < numrowsfetched; i++) {
    printf("%8ld %14s\n", SH1INT4[i], SH1CHR10[i]);
}
/* Output the Row Status Array if the complete rowset was not returned. */
if (numrowsfetched != ROWSET_SIZE) {
    printf(" Previous rowset was not full, here is the Row Status Array:\n");
    for (i = 0; i < ROWSET_SIZE; i++)
        printf(" Row Status Array[%i] = %s\n", i, ROWSTATVALUE[rowStatus[i]]);
}

printf("APDLX SQLFetchScroll SQL_FETCH_NEXT to EOF \n");
for (j = 0; j < 2; j++) {
    printf("APDLX SQLFetchScroll NEXT \n");
    rc = SQLFetchScroll(hstmt, SQL_FETCH_NEXT, 0);
    printf("rc=%d\n", rc);
    /* Indicate how many rows were in the result set. */
    if (rc != SQL_NO_DATA && rc != SQL_SUCCESS)
        CHECK_HANDLE( SQL_HANDLE_STMT, hstmt, rc );
    printf("(%i rows in rowset). ***\n", numrowsfetched);
    for (i = 0; i < numrowsfetched; i++)
        printf("%8ld %14s\n", SH1INT4[i], SH1CHR10[i]);
    /* Output the Row Status Array if the complete rowset was not returned. */
    if (numrowsfetched != ROWSET_SIZE) {
        printf(" Previous rowset was not full, here is the Row Status Array:\n");
        for (i = 0; i < ROWSET_SIZE; i++)
            printf(" Row Status Array[%i] = %s\n", i, ROWSTATVALUE[rowStatus[i]]);
    }
} // end for

printf("APDLX SQLFreeHandle-Statement\n");
rc=SQLFreeHandle(SQL_HANDLE_STMT,hstmt);
CHECK_HANDLE( SQL_HANDLE_STMT, hstmt, rc );
hstmt=0;
printf("APDLX successfully issued a SQLFreeStmt\n");

printf("APDLX SQLEndTran-Commit\n");
rc=SQLEndTran(SQL_HANDLE_DBC, hdbc, SQL_COMMIT);
CHECK_HANDLE( SQL_HANDLE_STMT, hstmt, rc );
printf("APDLX successfully issued a SQLTransact\n");

/***** SQLDisconnect *****/
printf("APDLX SQLDisconnect\n");
rc=SQLDisconnect(hdbc);
CHECK_HANDLE( SQL_HANDLE_DBC, hdbc, rc );
printf("APDLX successfully issued a SQLDisconnect\n");

/***** SQLFreeConnect *****/
printf("APDLX SQLFreeHandle-Connection\n");
rc=SQLFreeHandle(SQL_HANDLE_DBC,hdbc);
CHECK_HANDLE( SQL_HANDLE_DBC, hdbc, rc );
hdbc=0;;
printf("APDLX successfully issued a SQLFreeConnect\n");

/***** SQLFreeEnv *****/
printf("APDLX SQLFreeHandle-Environment\n");
rc=SQLFreeHandle(SQL_HANDLE_ENV,henv);
CHECK_HANDLE( SQL_HANDLE_ENV, henv, rc );
henv=0;
printf("APDLX successfully issued a SQLFreeEnv\n");

pgmend:

```

```

printf("APDLX pgmend: Ending sample\n");
if (rc==0)
  printf("APDLX Execution was SUCCESSFUL\n");
else
  {
  printf("APDLX*****\n");
  printf("APDLX Execution FAILED\n");
  printf("APDLX rc = %i\n", rc );
  printf("APDLX *****\n");
  }

return(rc);

dberror:
printf("APDLX dberror: entry dberror rtn\n");
printf("APDLX dberror: rc=%d\n",rc);
printf("APDLX dberror: environment cleanup attempt\n");
printf("APDLX dberror: cleanup SQLFreeEnv\n");
rc=SQLFreeEnv(henv);
printf("APDLX dberror: cleanup SQLFreeEnv rc =%d\n",rc);
rc=12;
printf("APDLX dberror: setting error rc=%d\n",rc);
goto pgmend;
} /*END MAIN*/

/*****
*/
/* check_error */
/*****
*/
/* RETCODE values from sqlcli.h *****/
/*#define SQL_SUCCESS 0 *****/
/*#define SQL_SUCCESS_WITH_INFO 1 *****/
/*#define SQL_NO_DATA_FOUND 100 *****/
/*#define SQL_NEED_DATA 99 *****/
/*#define SQL_NO_DATA SQL_NO_DATA_FOUND *****/
/*#define SQL_STILL_EXECUTING 2 not currently returned*/
/*#define SQL_ERROR -1 *****/
/*#define SQL_INVALID_HANDLE -2 *****/
/*****
SQLRETURN check_error( SQLSMALLINT htype, /* A handle type */
                      SQLHANDLE hndl, /* A handle */
                      SQLRETURN frc, /* Return code */
                      int line, /* Line error issued */
                      char * file /* file error issued */
                      ) {

    SQLCHAR cli_sqlstate[SQL_SQLSTATE_SIZE + 1];
    SQLINTEGER cli_sqlcode;
    SQLSMALLINT length;

    printf("APDLX entry check_error rtn\n");

    switch (frc) {
    case SQL_SUCCESS:
        break;
    case SQL_INVALID_HANDLE:
        printf("APDLX check_error> SQL_INVALID HANDLE \n");
        break;
    case SQL_ERROR:
        printf("APDLX check_error> SQL_ERROR\n");
        break;
    case SQL_SUCCESS_WITH_INFO:
        printf("APDLX check_error> SQL_SUCCESS_WITH_INFO\n");
        break;
    case SQL_NO_DATA_FOUND:
        printf("APDLX check_error> SQL_NO_DATA_FOUND\n");
        break;
    default:
        printf("APDLX check_error> Received rc from api rc=%i\n",frc);
        break;
    } /*end switch*/

    print_error(htype,hndl,frc,line,file);

    printf("APDLX SQLGetSQLCA\n");
    rc = SQLGetSQLCA(henv, hdbc, hstmt, &sqlca);
    if( rc == SQL_SUCCESS )
        prt_sqlca();
    else

```

```

    printf("APDLX check_error SQLGetSQLCA failed rc=%i\n",rc);

    printf("APDLX exit check_error rtn\n");
    return (frc);
} /* end check_error */

/*****
*/ print_error
/* calls SQLGetDiagRec() displays SQLSTATE and message
*/
/*****

SQLRETURN print_error( SQLSMALLINT htype, /* A handle type */
                      SQLHANDLE   hndl, /* A handle */
                      SQLRETURN   frc, /* Return code */
                      int         line, /* error from line */
                      char *      file  /* error from file */
                      ) {

    SQLCHAR    buffer[SQL_MAX_MESSAGE_LENGTH + 1] ;
    SQLCHAR    sqlstate[SQL_SQLSTATE_SIZE + 1] ;
    SQLINTEGER sqlcode ;
    SQLSMALLINT length, i ;
    SQLRETURN  prc;

    printf("APDLX entry print_error rtn\n");

    printf("APDLX rc=%d reported from file:%s,line:%d ---\n",
           frc,
           file,
           line
           ) ;
    i = 1 ;
    while ( SQLGetDiagRec( htype,
                          hndl,
                          i,
                          sqlstate,
                          &sqlcode,
                          buffer,
                          SQL_MAX_MESSAGE_LENGTH + 1,
                          &length
                          ) == SQL_SUCCESS ) {
        printf( "APDLX SQLSTATE: %s\n", sqlstate ) ;
        printf( "APDLX Native Error Code: %ld\n", sqlcode ) ;
        printf( "APDLX buffer: %s \n", buffer ) ;
        i++ ;
    }
    printf( ">-----\n" ) ;
    printf("APDLX exit print_error rtn\n");
    return( SQL_ERROR ) ;

} /* end print_error */

/*****
*/ prt_sqlca
/*
*/
/*****

SQLRETURN
prt_sqlca()
{
    int i;
    printf("APDLX entry prt_sqlca rtn\n");

    printf("\r\rAPDLX*** Printing the SQLCA:\r");
    printf("\nAPDLX SQLCAID ... %s",sqlca.sqlcaid);
    printf("\nAPDLX SQLCABC ... %d",sqlca.sqlcabc);
    printf("\nAPDLX SQLCODE ... %d",sqlca.sqlcode);
    printf("\nAPDLX SQLERRML ... %d",sqlca.sqlerrml);
    printf("\nAPDLX SQLERRMC ... %s",sqlca.sqlerrmc);
    printf("\nAPDLX SQLERRP ... %s",sqlca.sqlerrp);
    for (i = 0; i < 6; i++)
        printf("\nAPDLX SQLERRD%d ... %d",i+1,sqlca.sqlerrd??(i??));
    for (i = 0; i < 10; i++)
        printf("\nAPDLX SQLWARN%d ... %c",i,sqlca.sqlwarn[i]);
    printf("\nAPDLX SQLWARNA ... %c",sqlca.sqlwarn[10]);
    printf("\nAPDLX SQLSTATE ... %s",sqlca.sqlstate);

    printf("\nAPDLX exit prt_sqlca rtn\n");
}

```

```
    return(0);
} /* End of prt_sqlca */
```

Figure 52. ODBC scrollable cursor example program

Related concepts

The ODBC row status array

The row status array returns the status of each row in the rowset.

Related tasks

Steps for retrieving data with scrollable cursors in a Db2 ODBC application

To use a scrollable cursor in a Db2 ODBC application, you must set the rowset size, specify the scrollable cursor type, set up areas to contain the results of data retrieval, bind the application data, determine the result set size, fetch data, move the cursor multiple times, and close the cursor.

Related reference

SQLFetchScroll() - Fetch the next row

SQLFetchScroll() fetches the specified rowset of data from the result set of a query and returns data for all bound columns. Rowsets can be specified at an absolute position or a relative position.

SQLGetInfo() - Get general information

SQLGetInfo() returns general information about the database management systems to which the application is currently connected. For example, SQLGetInfo() indicates which data conversions are supported.

SQLRowCount() - Get row count

SQLRowCount() returns the number of rows in a table that were affected by an UPDATE, INSERT, DELETE, or MERGE statement. You can call SQLRowCount() against a table or against a view that is based on the table. SQLExecute() or SQLExecDirect() must be called before SQLRowCount() is called.

SQLSetStmtAttr() - Set statement attributes

SQLSetStmtAttr() sets attributes that are related to a statement. To set an attribute for all statements that are associated with a specific connection, an application can call SQLSetConnectAttr().

Performing bulk inserts with SQLBulkOperations()

You can insert new rows into a table or view at a data source with a call to SQLBulkOperations().

Before you begin

Before calling SQLBulkOperations(), an application must ensure that the required bulk operation is supported. To check for support, call SQLGetInfo() with an *InfoType* of SQL_DYNAMIC_CURSOR_ATTRIBUTES1 or SQL_DYNAMIC_CURSOR_ATTRIBUTES2. Check the following attributes to verify that support is available:

- SQL_CA1_BULK_ADD
- SQL_CA1_BULK_UPDATE_BY_BOOKMARK
- SQL_CA1_BULK_DELETE_BY_BOOKMARK
- SQL_CA1_BULK_FETCH_BY_BOOKMARK

About this task

SQLBulkOperations() operates on the current result set through a dynamic cursor, which allows you detect any changes that are made to the result set. SQLBulkOperations() inserts a row using data in the application buffers for each bound column.

Procedure

To perform a bulk insert:

1. Execute a query that returns a result set.
2. Set the SQL_ATTR_ROW_ARRAY_SIZE statement attribute to the number of rows that you want to insert.
3. Call SQLBindCol() to bind the data that you want to insert.
Bind the data to an array with a size that is equal to the value of SQL_ATTR_ROW_ARRAY_SIZE.
One of the following conditions must be true:
 - The size of the row status array to which the SQL_ATTR_ROW_STATUS_PTR statement attribute points is equal to SQL_ATTR_ROW_ARRAY_SIZE.
 - SQL_ATTR_ROW_STATUS_PTR is a null pointer.
 All bound columns that have a data length of SQL_COLUMN_IGNORE, and all unbound columns must accept NULL values or have a default.
4. Call SQLBulkOperations(StatementHandle, SQL_ADD) to perform the insertion.
SQLBulkOperations() ignores the row operation array to which SQL_ATTR_ROW_OPERATION_PTR points.
5. If the application has set the SQL_ATTR_ROW_STATUS_PTR statement attribute, inspect the row status array to see the result of the operation.

Example

The following example is an application that executes a query and uses SQLBulkOperations() to insert 10 rows of data into table CUSTOMER.

```

a#define ROWSET_SIZE 10
/* declare and initialize local variables */
SQLCHAR sqlstmt[] =
    "SELECT Cust_Num, First_Name, Last_Name FROM CUSTOMER";
SQLINTEGER Cust_Num[ROWSET_SIZE];
SQLCHAR First_Name[ROWSET_SIZE][21];
SQLCHAR Last_Name[ROWSET_SIZE][21];
SQLINTEGER Cust_Num_L[ROWSET_SIZE];
SQLINTEGER First_Name_L[ROWSET_SIZE];
SQLINTEGER Last_Name_L[ROWSET_SIZE];
SQLUSMALLINT rowStatus[ROWSET_SIZE];
/* Set up dynamic cursor type */
rc = SQLSetStmtAttr(hstmt,
    SQL_ATTR_CURSOR_TYPE,
    (SQLPOINTER) SQL_CURSOR_DYNAMIC,
    0);
/* Set pointer to row status array */
rc = SQLSetStmtAttr(hstmt,
    SQL_ATTR_ROW_STATUS_PTR,
    (SQLPOINTER) rowStatus,
    0);
/* Execute query */
rc = SQLExecDirect(hstmt,sqlstmt,SQL_NTS);
/* Call SQLBindCol() for each result set column */
rc = SQLBindCol(hstmt,
    1,
    SQL_C_LONG,
    (SQLPOINTER) Cust_Num,
    (SQLINTEGER) sizeof(Cust_Num)/ROWSET_SIZE,
    Cust_Num_L);
rc = SQLBindCol(hstmt,
    2,
    SQL_C_CHAR,
    (SQLPOINTER) First_Name,
    (SQLINTEGER) sizeof(First_Name)/ROWSET_SIZE,
    First_Name_L);
rc = SQLBindCol(hstmt,
    3,
    SQL_C_CHAR,
    (SQLPOINTER) Last_Name,
    (SQLINTEGER) sizeof(Last_Name)/ROWSET_SIZE,
    Last_Name_L);
...
/* For each column, place the new data values in */
/* the rgbValue array, and set each length value */
/* in the pcbValue array to be the length of the */

```

```

/* corresponding value in the rgbValue array. */
...
/* Set number of rows to insert */
rc = SQLSetStmtAttr(hstmt,
    SQL_ATTR_ROW_ARRAY_SIZE,
    (SQLPOINTER) ROWSET_SIZE,
    0);
/* Perform the bulk insert */
rc = SQLBulkOperations(hstmt, SQL_ADD);

```

Updates to Db2 tables with SQLSetPos()

You can update or delete any row in a rowset with a call to `SQLSetPos()`.

`SQLSetPos()` operates on your current rowset through a dynamic cursor. `SQLSetPos()` can be used only after a call to `SQLFetch()` or `SQLFetchScroll()`.

Related tasks

[Deleting rows in a rowset with SQLSetPos\(\)](#)

You can use `SQLSetPos()` to delete any row in a rowset. `SQLSetPos()` operates on your current rowset through a dynamic cursor.

[Updating rows in a rowset with SQLSetPos\(\)](#)

You can use `SQLSetPos()` to update any row in a rowset. `SQLSetPos()` operates on your current rowset through a dynamic cursor. `SQLSetPos()` updates a row by using data in the application buffers for each bound column. All bound columns with a data length equal to the value of `SQL_COLUMN_IGNORE` are not updated, and all unbound columns are not updated.

Updating rows in a rowset with SQLSetPos()

You can use `SQLSetPos()` to update any row in a rowset. `SQLSetPos()` operates on your current rowset through a dynamic cursor. `SQLSetPos()` updates a row by using data in the application buffers for each bound column. All bound columns with a data length equal to the value of `SQL_COLUMN_IGNORE` are not updated, and all unbound columns are not updated.

Before you begin

Before you can call `SQLSetPos()`, you must call `SQLFetch()` or `SQLFetchScroll()`.

Procedure

To update rows with `SQLSetPos()`:

1. Call `SQLBindCol()` to bind the data that you want to update.
 - a) For each bound column, place the new data value in the buffer that is specified by the *rgbValue* argument, and the length of that value in the buffer that is specified by the *pcbValue* argument.
 - b) Set the length of the data value of those columns that are not to be updated to `SQL_COLUMN_IGNORE`.
2. Call `SQLSetPos()` with *Operation* set to `SQL_UPDATE` and *RowNumber* set to the number of the row to update.

If you set *RowNumber* to 0, all rows in the rowset are updated.

If you set *RowNumber* to 0, but you want to update only certain rows, you can disable the update of the other rows by setting the corresponding elements of the row operation array that is pointed to by the `SQL_ATTR_ROW_OPERATION_PTR` statement attribute to `SQL_ROW_IGNORE`.

Example

The following example is an application that uses `SQLSetPos()` to update a row in table `CUSTOMER`.

```

#define ROWSET_SIZE 10
/* Declare and initialize local variables */
SQLCHAR sqlstmt[] =

```

```

"SELECT Cust_Num, First_Name, Last_Name FROM CUSTOMER";
SQLINTEGER Cust_Num;
SQLCHAR First_Name[ROWSET_SIZE][21];
SQLCHAR Last_Name[ROWSET_SIZE][21];
SQLINTEGER Cust_Num_L[ROWSET_SIZE];
SQLINTEGER First_Name_L[ROWSET_SIZE];
SQLINTEGER Last_Name_L[ROWSET_SIZE];
SQLUSMALLINT rowStatus[ROWSET_SIZE];
/* Set up dynamic cursor type */
rc = SQLSetStmtAttr(hstmt,
    SQL_ATTR_CURSOR_TYPE,
    (SQLPOINTER) SQL_CURSOR_DYNAMIC,
    0);
/* Set pointer to row status array */
rc = SQLSetStmtAttr(hstmt,
    SQL_ATTR_ROW_STATUS_PTR,
    (SQLPOINTER) rowStatus,
    0);
/* Set number of rows to fetch */
rc = SQLSetStmtAttr(hstmt,
    SQL_ATTR_ROW_ARRAY_SIZE,
    (SQLPOINTER) ROWSET_SIZE,
    0);
/* Fetch the first rowset */
rc = SQLFetchScroll(hstmt, SQL_FETCH_FIRST, 0);
/* Call SQLBindCol() for each result set column */
rc = SQLBindCol(hstmt,
    1,
    SQL_C_LONG,
    (SQLPOINTER) Cust_Num,
    (SQLINTEGER) sizeof(Cust_Num)/ROWSET_SIZE,
    Cust_Num_L);
rc = SQLBindCol(hstmt,
    2,
    SQL_C_CHAR,
    (SQLPOINTER) First_Name,
    (SQLINTEGER) sizeof(First_Name)/ROWSET_SIZE,
    First_Name_L);
rc = SQLBindCol(hstmt,
    3,
    SQL_C_CHAR,
    (SQLPOINTER) Last_Name,
    (SQLINTEGER) sizeof(Last_Name)/ROWSET_SIZE,
    Last_Name_L);
...
/* For each column, place the new data value in
/* the rgbValue buffer, and set the length of
/* the value in the buffer specified by the
/* pcbValue argument
...
/* Update the first row in the rowset */
rc = SQLSetPos(hstmt, 1, SQL_UPDATE, SQL_LOCK_NO_CHANGE);

```

Related reference

[SQLBindCol\(\) - Bind a column to an application variable](#)

[SQLBindCol\(\)](#) binds a column to an application variable. You can call [SQLBindCol\(\)](#) once for each column in a result set from which you want to retrieve data or LOB locators.

[SQLFetch\(\) - Fetch the next row](#)

[SQLFetch\(\)](#) advances the cursor to the next row of the result set and retrieves any bound columns. Columns can be bound to either the application storage or LOB locators.

[SQLFetchScroll\(\) - Fetch the next row](#)

[SQLFetchScroll\(\)](#) fetches the specified rowset of data from the result set of a query and returns data for all bound columns. Rowsets can be specified at an absolute position or a relative position.

[SQLSetPos - Set the cursor position in a rowset](#)

SQLSetPos() sets the cursor position in a rowset. Once the cursor is set, the application can refresh, update, and delete data in the rows.

Deleting rows in a rowset with SQLSetPos()

You can use SQLSetPos() to delete any row in a rowset. SQLSetPos() operates on your current rowset through a dynamic cursor.

Before you begin

Before you can call SQLSetPos(), you must call SQLFetch() or SQLFetchScroll().

Procedure

Call SQLSetPos() with *Operation* set to SQL_DELETE and *RowNumber* set to the number of the row to delete.

If you set *RowNumber* to 0, all rows in the rowset are deleted.

If you set *RowNumber* to 0, but you want to delete only certain rows, you can disable the delete of the other rows by setting the corresponding elements of the row operation array that is pointed to by the SQL_ATTR_ROW_OPERATION_PTR statement attribute to SQL_ROW_IGNORE.

Example

The following example is an application that uses SQLSetPos() to delete a row in table CUSTOMER.

```
#define ROWSET_SIZE 10
/* declare and initialize local variables */
SQLCHAR sqlstmt[] =
    "SELECT Cust_Num, First_Name, Last_Name FROM CUSTOMER";
/* Set up dynamic cursor type */
rc = SQLSetStmtAttr(hstmt,
    SQL_ATTR_CURSOR_TYPE,
    (SQLPOINTER) SQL_CURSOR_DYNAMIC,
    0);
/* Set pointer to row status array */
rc = SQLSetStmtAttr(hstmt,
    SQL_ATTR_ROW_STATUS_PTR,
    (SQLPOINTER) rowStatus,
    0);
/* Set number of rows to fetch */
rc = SQLSetStmtAttr(hstmt,
    SQL_ATTR_ROW_ARRAY_SIZE,
    (SQLPOINTER) ROWSET_SIZE,
    0);
/* Fetch first rowset */
rc = SQLFetchScroll(hstmt, SQL_FETCH_FIRST, 0);
/* Delete first row in rowset */
rc = SQLSetPos(hstmt, 1, SQL_DELETE, SQL_LOCK_NO_CHANGE);
```

Input and retrieval of long data in pieces

When an application must manipulate long data values, loading the entire values into storage can become impractical. For this reason, Db2 ODBC provides a technique that enables you to handle long data values in pieces.

The technique for handling long data values in pieces is called *specifying parameter values at execute time*. It is the same method that you can use to specify values for fixed-size non-character data types, such as integers.

The following figure depicts both the processes of sending data in pieces and retrieving data in pieces. The right side of the figure shows the process that you use to send data in pieces; the left side of the figure shows the process that you use to retrieve data in pieces.

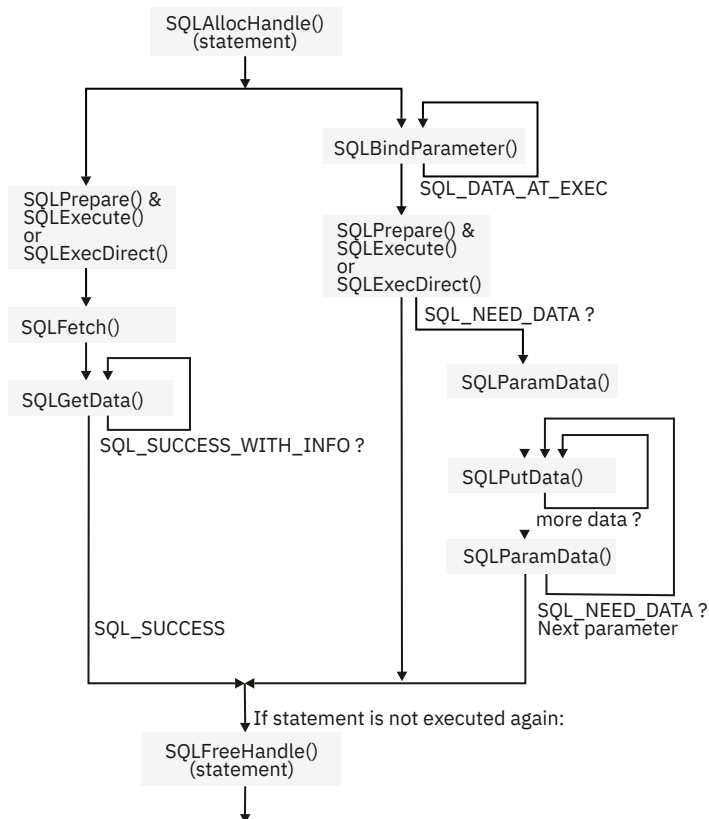


Figure 53. Input and retrieval of data in pieces

Data-at-execute parameters

A data-at-execute parameter is a bound parameter for which a value is prompted at execution time. Normally, you store a value in memory to use for a parameter before you call `SQLExecute()` or `SQLExecDirect()`.

To create data-at-execute parameters, call `SQLBindParameter()` and specify both of the following arguments for each data-at-execute parameter you want to create:

- Set the *pcbValue* argument to `SQL_DATA_AT_EXEC`.
- Set the *rgbValue* argument to a value you can use to uniquely identify the parameter for which you need to supply data. This value names that parameter so that you can refer to it later.

`SQLExecDirect()` and `SQLExecute()` return `SQL_NEED_DATA` for statements that contain data-at-execute parameters to prompt you to supply a value. When `SQLExecDirect()` or `SQLExecute()` returns `SQL_NEED_DATA`, you must perform the following steps in your application:

1. Call `SQLParamData()` to conceptually advance to the first such parameter. `SQLParamData()` returns `SQL_NEED_DATA` and provides the value of the input *rgbValue* buffer that you specified in the `SQLBindParameter()` call. This value helps you identify the information that you need to supply.
2. Call `SQLPutData()` to pass the actual data for the parameter. You call `SQLPutData()` repeatedly to send long data in pieces.
3. Call `SQLParamData()` after you provide the entire data for this data-at-execute parameter. If additional data-at-execute parameters need data, `SQLParamData()` returns `SQL_NEED_DATA`. Repeat steps “2” on page 460 and “3” on page 460 until `SQLParamData()` returns `SQL_SUCCESS`.

When all data-at-execute parameters are assigned values, `SQLParamData()` completes execution of the SQL statement. `SQLParamData()` also produces a return value and diagnostics as the original `SQLExecDirect()` or `SQLExecute()` would have produced. The right side of [Figure 53](#) on page 460 illustrates this flow.

While the data-at-execution flow is in progress, you can call only the following Db2 ODBC functions:

- `SQLParamData()` and `SQLPutData()`, as the previous procedure to specify parameter values at execute time describes.
- `SQLCancel()`, which is used to cancel the flow and force an exit from the loops on the right side of [Figure 53 on page 460](#) without executing the SQL statement.
- `SQLGetDiagRec()`

You cannot terminate the transaction nor set connection attributes in a data-at-execution flow.

Data retrieval in pieces

You can call `SQLGetData()` repeatedly to retrieve smaller pieces of data.

Typically to retrieve data, you allocate application variables to hold the data that you retrieve, and you call `SQLBindCol()` to associate these application variables with a column in a result set.

Based on the size of the values that a column contains, you choose the amount of memory that values from this column can occupy in your application. (To determine the size of the largest value in a specific result column, call `SQLDescribeCol()`. The output argument *pcbColDef* returns this information.)

In the case of character and binary data, columns can contain large values. If the size of a column value exceeds the size of the buffer that you allocate, you can call `SQLGetData()` repeatedly to obtain this value in a sequence of pieces that are more manageable in size.

As [Figure 53 on page 460](#) depicts, `SQLGetData()` returns `SQL_SUCCESS_WITH_INFO` (with `SQLSTATE 01004`) to indicate that more data exists for this column. Call `SQLGetData()` repeatedly to retrieve the remaining pieces of data. When you retrieve the final piece of data, `SQLGetData()` returns `SQL_SUCCESS`.

Providing long data for bulk inserts and positioned updates

To provide long data for bulk inserts or positioned updates, use `SQLBulkOperations()` or `SQLSetPos()` calls.

Procedure

To perform a bulk insert or positioned update with long data:

1. Bind the data using `SQLBindCol()`. When you call `SQLBindCol()`:
 - a) Place an application-defined value, such as the column number, in the **rgbValue* buffer for a data-at-execution column. The value in the **rgbValue* buffer can be used later to identify the column.
 - b) Place the `SQL_DATA_AT_EXEC` value in the **pcbValue* buffer.

2. Call `SQLBulkOperations()` or `SQLSetPos()`.

If there are data-at-execution columns, `SQLBulkOperations()` returns `SQL_NEED_DATA` and proceeds to step 3. If there are no data-at-execution columns, the process is complete.

3. Call `SQLParamData()` to retrieve the address of the **rgbValue* buffer for the first data-at-execution column that is to be processed.

`SQLParamData()` returns `SQL_NEED_DATA`.

- a) Retrieve the application-defined value from the **rgbValue* buffer.

Although data-at-execution parameters are similar to data-at-execution columns, the value that is returned by `SQLParamData()` is different for data-at-execution parameters and data-at-execution columns. Data-at-execution columns are columns in a rowset for which you send data with `SQLPutData()` after you insert or update a row with `SQLBulkOperations()` or `SQLSetPos()`. You bind data-at-execution columns with `SQLBindCol()`. The value that is returned by `SQLParamData()` is the address of the row in the **rgbValue* buffer that is being processed.

4. Call `SQLPutData()` one or more times to send data for the column.

More than one call is needed if all the data values cannot be returned in the **rgbValue* buffer that is specified in `SQLPutData()`. Multiple calls to `SQLPutData()` for the same column are allowed only under the following circumstances:

- When you send character C data to a column with a character, binary, or data-source-specific data type
 - When you send binary C data to a column with a character, binary, or data-source-specific data type
5. Call `SQLParamData()` again to signal that all data has been sent for the column.
- If there are more data-at-execution columns, `SQLParamData()` returns `SQL_NEED_DATA` and the address of the **rgbValue* buffer for the next data-at-execution column that is to be processed. Repeat steps 3 and 3.
 - If there are no more data-at-execution columns, the process is complete.
- If the statement executes successfully, `SQLParamData()` returns `SQL_SUCCESS` or `SQL_SUCCESS_WITH_INFO`. If the execution fails, it returns `SQL_ERROR`. At this point, `SQLParamData()` can return any `SQLSTATE` that can be returned by `SQLBulkOperations()`.
- If the operation is canceled, or an error occurs in `SQLParamData()` or `SQLPutData()`, after `SQLBulkOperations()` or `SQLSetPos()` returns `SQL_NEED_DATA`, and before you retrieve data for all data-at-execution columns, you can call only `SQLCancel()`, `SQLGetDiagRec()`, `SQLGetFunctions()`, `SQLParamData()`, or `SQLPutData()` for the statement or the connection that is associated with the statement. If you call any other function for the statement or the connection that is associated with the statement, the function returns `SQL_ERROR` and `SQLSTATE HY010` (function sequence error).
 - If you call `SQLCancel()` while ODBC needs data for data-at-execution columns, ODBC cancels the operation. You can then call `SQLBulkOperations()` or `SQLSetPos()` again. Canceling does not affect the cursor state or the current cursor position.

Examples of using decimal floating point data in an ODBC application

The `DECFLOAT(16)` and `DECFLOAT(34)` SQL data types map to the `SQLDECIMAL64` and `SQLDECIMAL128` C types. You must convert the character data for decimal floating point values to a decimal floating point type before you can assign the data to `DECFLOAT` columns. You can convert the data that you retrieve from `DECFLOAT` columns to other data types for manipulation in an application.

The following code demonstrates how to assign decimal floating point data to `DECFLOAT` columns. The example:

- Assigns string constants that represent decimal floating point values to character variables.
- Converts the character variables to `SQLDECIMAL64` and `SQLDECIMAL128` format, and assigns the results to `SQLDECIMAL64` and `SQLDECIMAL128` variables.
- Binds the `SQLDECIMAL64` variable to a `DECFLOAT(16)` parameter marker, and binds the `SQLDECIMAL128` variable to a `DECFLOAT(34)` parameter marker.

```
/* Declare variables for decimal floating point data */
SQLDECIMAL64      H1DFP16;
SQLDECIMAL128    H1DFP34;

SQLINTEGER        LEN_H1DFP16;
SQLINTEGER        LEN_H1DFP34;

SQLCHAR          H1CHAR[100];
decContext_t     l_decCtxt64;
decContext_t     l_decCtxt128;

/* Initialize a decContext structure to default values */
decContextDefault(&l_decCtxt64, DEC_INIT_DECIMAL64);
decContextDefault(&l_decCtxt128, DEC_INIT_DECIMAL128);

/* Convert a character string to decimal64 format for insert */
strcpy( (char *)H1CHAR, "6400E-2" );
```

```

decimal64FromString((decimal64_t *)&H1DFP16,
                   (char *)H1CHAR,
                   &l_decCtxt64);
LEN_H1DFP16 = sizeof(H1DFP16);

/* Convert a character string to decimal128 format for insert */
strcpy( (char *)H1CHAR, "1.28E2" );
decimal128FromString((decimal128_t *)&H1DFP34,
                   (char *)H1CHAR,
                   &l_decCtxt128);
LEN_H1DFP34 = sizeof(H1DFP34);

/* Bind to DECFLOAT(16)*/
SQLParameter( hstmt,
              1,
              SQL_PARAM_INPUT,
              SQL_C_DECIMAL64,
              SQL_DECFLOAT,
              16,
              0,
              (SQLPOINTER)&H1DFP16,
              sizeof(H1DFP16),
              (SQLINTEGER *)&LEN_H1DFP16);

/* Bind to DECFLOAT(34)*/
SQLParameter( hstmt,
              1,
              SQL_PARAM_INPUT,
              SQL_C_DECIMAL128,
              SQL_DECFLOAT,
              34,
              0,
              (SQLPOINTER)&H1DFP34,
              sizeof(H1DFP34),
              (SQLINTEGER *)&LEN_H1DFP34);

```

The following code demonstrates how to retrieve decimal floating point data from DECFLOAT columns. The example:

- Binds a DECFLOAT(16) column to an SQLDECIMAL64 variable, and binds a DECFLOAT(34) column to an SQLDECIMAL128 variable.
- Retrieves the data from the DECFLOAT columns into the SQLDECIMAL64 and SQLDECIMAL128 variables.
- Converts the SQLDECIMAL64 and SQLDECIMAL128 variables to character format, and assigns the results to character variables.

```

/* Declare variables for decimal floating point data */
SQLDECIMAL64   H1DFP16;
SQLDECIMAL128 H1DFP34;

SQLINTEGER     LEN_H1DFP16;
SQLINTEGER     LEN_H1DFP34;

SQLCHAR        H1CHAR[100];
decNumber_t    tempDecNum;

/* Bind DECFLOAT(16) column */
rc = SQLBindCol( hstmt,
                 1,
                 SQL_C_DECIMAL64,
                 (SQLPOINTER)&H1DFP16,
                 sizeof(H1DFP16),
                 (SQLINTEGER *)&LEN_H1DFP16);

/* Bind DECFLOAT(34) column */
rc = SQLBindCol( hstmt,
                 1,
                 SQL_C_DECIMAL128,
                 (SQLPOINTER)&H1DFP34,
                 sizeof(H1DFP34),
                 (SQLINTEGER *)&LEN_H1DFP34);

rc = SQLFetch( hstmt );

/* Convert H1DFP16 to a character string for display */
decimal64ToString( (decimal64_t *)&H1DFP16, (char *)H1CHAR );

```

```

/* Convert H1DFP34 to decNumber form in preparation for arithmetic or other operations */
decimal128ToNumber( (decimal128_t *)&H1DFP34, &tempDecNum);

```

Variable-length timestamps in ODBC applications

For the SQL `TIMESTAMP` data type, you can specify a timestamp precision of between 0 and 12 digits. You can update timestamps with up to 12 digits of precision in ODBC applications.

The `TIMESTAMP` data type maps to the C timestamp data types `SQL_C_TYPE_TIMESTAMP` and `SQL_C_TYPE_TIMESTAMP_EXT`. You can use `SQL_C_TYPE_TIMESTAMP` to describe a timestamp with up to 9 fractional digits (nanoseconds). You can use `SQL_C_TYPE_TIMESTAMP_EXT` to describe a timestamp with up to 12 fractional digits (picoseconds).

The C data type `SQL_C_TYPE_TIMESTAMP` maps to the C data structure `TIMESTAMP_STRUCT`. The C data type `SQL_C_TYPE_TIMESTAMP_EXT` maps to C data structure `TIMESTAMP_STRUCT_EXT`. Both C data structures contain a `fraction` field that holds the first nine digits of the fractional part of the timestamp, if the timestamp value has a precision of up to nanoseconds. The `TIMESTAMP_STRUCT_EXT` contains a `fraction2` field that holds the tenth through twelfth digits of the fractional part of the timestamp, if the timestamp value has a precision of up to picoseconds.

When you assign a value to the `fraction` or `fraction2` field, and the length of the value is less than the length of the field, ODBC pads the value on the left to nine digits for `fraction`, and three digits for `fraction2`.

Suppose that a Db2 table is defined like this:

```

CREATE TABLE CLIT1TB1
(TS0 TIMESTAMP(0),
 TS3 TIMESTAMP(3),
 TS6 TIMESTAMP(9),
 TS9 TIMESTAMP(12),
 TS12 TIMESTAMP(12))

```

The following code demonstrates how to set the `fraction` and `fraction2` fields to insert timestamp values with fractions of seconds into the table.

```

/* Variables for input data */
TIMESTAMP_STRUCT_EXT H1TSTMP0; /* For timestamp with 0 digits of precision */
TIMESTAMP_STRUCT_EXT H1TSTMP3; /* For timestamp with 3 digits of precision */
TIMESTAMP_STRUCT_EXT H1TSTMP9; /* For timestamp with 9 digits of precision */
TIMESTAMP_STRUCT_EXT H1TSTMP12; /* For timestamp with 12 digits of precision */
TIMESTAMP_STRUCT_EXT H2TSTMP12; /* For timestamp with 12 digits of precision */
/* Variables for input data lengths */
SQLINTEGER LEN_H1TSTMP0;
SQLINTEGER LEN_H1TSTMP3;
SQLINTEGER LEN_H1TSTMP9;
SQLINTEGER LEN_H1TSTMP12;
SQLINTEGER LEN_H2TSTMP12;

/* Set an initial input timestamp value. For
/* this example, year, month, day, hour,
/* minutes, and seconds are the same for all
/* input variables. fraction and fraction2
/* vary.
TIMESTAMP_STRUCT_EXT input_tstmp =
    {2011, 9, 9, 9, 9, 9, 0, 0 };

/* SQL statement buffer
SQLCHAR sqlstmt[250];
/* Return code for ODBC calls
SQLRETURN rc = SQL_SUCCESS;
/* Prepare an INSERT statement for inserting
/* data into table CLIT1TB1.
strcpy((char *)sqlstmt,
    "INSERT INTO CLIT1TB1 VALUES (?, ?, ?, ?, ?)");
rc = SQLPrepare(&hstmt, sqlstmt, SQL_NTS );
if( rc != SQL_SUCCESS ) goto dberror;

/* Set the first timestamp input host variable
/* to this value:
/* 2011-09-09-09.09.09

```

```

/* Set fraction and fraction2 to 0 because the */
/* first timestamp has no fractional portion. */
H1TSTMP0 = input_tstmp;
H1TSTMP0.fraction=0;
H1TSTMP0.fraction2=0;
/* Set the length of the input host variable */
LEN_H1TSTMP0 = sizeof(H1TSTMP0);
/* Bind the first timestamp value */
rc=SQLBindParameter(hstmt,
    1,
    SQL_PARAM_INPUT,
    SQL_C_TYPE_TIMESTAMP_EXT,
    SQL_TYPE_TIMESTAMP,
    0,
    0,
    &H1TSTMP0,
    sizeof(H1TSTMP0),
    &LEN_H1TSTMP0);
if (rc!=SQL_SUCCESS) goto dberror;

/* Set the second timestamp input host variable */
/* to this value: */
/* 2011-09-09-09.09.09.123 */
/* For the fractional part to be correctly */
/* interpreted as .123, the fourth through ninth */
/* positions of the fraction field must be set */
/* to zeros. Set fraction2 to 0 to indicate */
/* that the timestamp has no picoseconds */
/* portion. */
H1TSTMP3 = input_tstmp;
H1TSTMP3.fraction=123000000;
H1TSTMP3.fraction2=0;
/* Set the length of the input host variable */
LEN_H1TSTMP3 = sizeof(H1TSTMP3);
/* Bind the second timestamp value */
rc=SQLBindParameter(hstmt,
    2,
    SQL_PARAM_INPUT,
    SQL_C_TYPE_TIMESTAMP_EXT,
    SQL_TYPE_TIMESTAMP,
    0,
    3,
    &H1TSTMP3,
    sizeof(H1TSTMP3),
    &LEN_H1TSTMP3);
if (rc!=SQL_SUCCESS) goto dberror;

/* Set the third timestamp input host variable */
/* to this value: */
/* 2011-09-09-09.09.09.000123456 */
/* You can omit leading zeros from the */
/* fractional part of the timestamp. ODBC adds */
/* the leading zeros for you. */
/* Set fraction2 to 0 to indicate that the */
/* timestamp has no picoseconds portion. */
H1TSTMP9 = input_tstmp;
H1TSTMP9.fraction=123456;
H1TSTMP9.fraction2=0;
/* Set the length of the input host variable */
LEN_H1TSTMP9 = sizeof(H1TSTMP9);
/* Bind the third timestamp value */
rc=SQLBindParameter(hstmt,
    3,
    SQL_PARAM_INPUT,
    SQL_C_TYPE_TIMESTAMP_EXT,
    SQL_TYPE_TIMESTAMP,
    0,
    9,
    &H1TSTMP9,
    sizeof(H1TSTMP9),
    &LEN_H1TSTMP9);
if (rc!=SQL_SUCCESS) goto dberror;

/* Set the fourth timestamp input host variable */
/* to this value: */
/* 2011-09-09-09.09.09.123456789120 */
/* This value has 12 digits of precision, so you */
/* need to set fraction and fraction2. */
/* Set the first nine fractional digits in */
/* fraction, and the last three digits in */
/* fraction2. */
H1TSTMP12 = input_tstmp;

```

```

H1TSTMP12.fraction=123456789;
H1TSTMP12.fraction2=120;
/* Set the length of the input host variable */
LEN_H1TSTMP12 = sizeof(H1TSTMP12);
/* Bind the fourth timestamp value */
rc=SQLBindParameter(hstmt,
    4,
    SQL_PARAM_INPUT,
    SQL_C_TYPE_TIMESTAMP_EXT,
    SQL_TYPE_TIMESTAMP,
    0,
    12,
    &H1TSTMP12,
    sizeof(H1TSTMP12),
    &LEN_H1TSTMP12);
if (rc!=SQL_SUCCESS) goto dberror;

/* Set the fifth timestamp input host variable */
/* to this value: */
/* 2011-09-09-09.09.123456000012 */
/* This value has 12 digits of precision, so you */
/* need to set fraction and fraction2. */
/* Set the first nine fractional digits in */
/* fraction, and the last three digits in */
/* fraction2. You can omit the leading zero from */
/* the value that goes into fraction2. */
H2TSTMP12 = input_tstamp;
H2TSTMP12.fraction=1234560000;
H2TSTMP12.fraction2=12;
/* Set the length of the input host variable */
LEN_H2TSTMP12 = sizeof(H2TSTMP12);
/* Bind the fifth timestamp value */
rc=SQLBindParameter(hstmt,
    5,
    SQL_PARAM_INPUT,
    SQL_C_TYPE_TIMESTAMP_EXT,
    SQL_TYPE_TIMESTAMP,
    0,
    12,
    &H2TSTMP12,
    sizeof(H2TSTMP12),
    &LEN_H2TSTMP12);
if (rc!=SQL_SUCCESS) goto dberror;
/* Execute the INSERT statement */
rc=SQLExecute(hstmt);

```

Related concepts

[Timestamp \(Db2 SQL\)](#)

Related reference

[C and SQL data types](#)

Db2 ODBC defines a set of SQL symbolic data types. Each SQL symbolic data type has a corresponding default C data type.

Using LOBs

The term large object (LOB) refers to any type of large object. Db2 supports three LOB data types: binary large object (BLOB), character large object (CLOB), and double-byte character large object (DBCLOB).

These LOB data types are represented symbolically as SQL_BLOB, SQL_CLOB, SQL_DBCLOB respectively. All Db2 ODBC functions that accept or return SQL data type arguments (for example, the `SQLBindParameter()` and `SQLDescribeCol()` functions) can accept or return LOB symbolic constants.

An application can retrieve and manipulate LOB values in the application address space. However, your application might not require you to transfer the entire LOB from the database server into application memory. In many cases, you can select a LOB value and operate on pieces of it. The ODBC model can transfer LOB data using the piecewise sequential method with `SQLGetData()` and `SQLPutData()`. This method might prove inefficient. You can more efficiently retrieve and manipulate an individual LOB value by using a LOB locator.

Another alternative for avoiding the use of application storage is to use file reference variables. With file reference variables, you retrieve LOB values directly from columns into files, or you update LOB column data directly from files.

Related reference

C and SQL data types

Db2 ODBC defines a set of SQL symbolic data types. Each SQL symbolic data type has a corresponding default C data type.

Using LOB locators

LOB locators enable you to identify and manipulate LOB values at the database server. They also enable you to retrieve pieces of a LOB value into application memory.

Locators are a run time concept: they are not a persistent type, nor are they stored in the database. Conceptually, LOB locators are simple token values (much like a pointer) that you use to refer to much larger LOB values in the database. LOB locator values do not persist beyond the transaction in which they are created (unless you specify otherwise).

A locator references a LOB value, not the physical location (or address) at which a LOB value resides. The LOB value that a locator references does not change if the original LOB value in the table is altered. When you perform operations on a locator, these operations similarly do not alter the original LOB value that the table contains. To materialize operations that you perform on LOB locators, you must store the result of these operations in a location on the database server, or in a variable within your application.

In Db2 ODBC functions, you specify LOB locators with one of the following symbolic C data types:

- SQL_C_BLOB_LOCATOR for BLOB data
- SQL_C_CLOB_LOCATOR for CLOB data
- SQL_C_DBCLOB_LOCATOR for DBCLOB data

Choose a C type that corresponds to the LOB data to which you refer with the locator. Through these C data types, you can transfer a small token value to and from the database server instead of an entire LOB value.

Call `SQLBindCol()` and `SQLFetch()`, or `SQLGetData()` to retrieve a LOB locator that is associated with a LOB value into an application variable. You can then apply the following Db2 ODBC functions to that locator:

- `SQLGetLength()`, which returns the length of the string that a LOB locator represents.
- `SQLGetPosition()`, which returns the position of a search string within a source string that a LOB locator represents. LOB locators can represent both search strings and source strings.

The following actions implicitly allocate LOB locators:

- Fetching a bound LOB column to the appropriate C locator type.
- Calling `SQLGetSubString()` and specifying that the substring be retrieved as a locator.
- Calling `SQLGetData()` on an unbound LOB column and specifying the appropriate C locator type. The C locator type must match the LOB column type; otherwise an error occurs.

You can also use LOB locators to move LOB data at the server without pulling data into application memory and then sending it back to the server.

Example: The following INSERT SQL statement concatenates two LOB values with LOB locators (which are represented by the parameter markers) and inserts the result into a table:

```
INSERT INTO TABLE4A
VALUES(1,CAST(? AS CLOB(2K)) CONCAT CAST(? AS CLOB(3K)))
```

You can explicitly free a locator before the end of a transaction with the `FREE LOCATOR` statement. You can explicitly retain a locator beyond a unit of work with the `HOLD LOCATOR` statement. You execute these statements with the following syntax:



Although you cannot prepare the FREE LOCATOR SQL statement or the HOLD LOCATOR SQL statement dynamically, Db2 ODBC accepts these statements in `SQLPrepare()` and `SQLExecDirect()`. Use parameter markers in these statements so that you can convert application variables that contain LOB locator values to host variables that these SQL statements can access. Before you call `SQLPrepare()` or `SQLExecDirect()`, call `SQLBindParameter()` with the data type arguments set to the appropriate SQL and C symbolic data types. This call to `SQLBindParameter()` passes an application variable that contains the locator value into the parameter markers as a host variable.

LOB locators and functions that are associated with locators (such as the `SQLGetSubString()`, `SQLGetPosition()`, and `SQLGetLength()` functions) are not available when you connect to a Db2 server that does not support large objects. To determine if a connection supports LOBs, call `SQLGetFunctions()` with the function type set to `SQL_API_SQLGETSUBSTRING`. If the `pfExists` output argument returns `SQL_TRUE`, the current connection supports LOBs. If the `pfExists` output argument returns `SQL_FALSE`, the current connection does not support LOBs.

For applications that use locators when retrieving LOB data from a result set, set the `LIMITEDBLOCKFETCH` initialization keyword to 0. Otherwise, if you attempt to use the `SQLGetData()` function to retrieve a LOB locator into an application variable after the data has been fetched, the function call fails.

Related reference

[C and SQL data types](#)

Db2 ODBC defines a set of SQL symbolic data types. Each SQL symbolic data type has a corresponding default C data type.

[Db2 ODBC initialization keywords](#)

Db2 ODBC initialization keywords control the run time environment for Db2 ODBC applications.

LOB and LOB locator example

An application can use LOB values in the application address space, and LOB locators can help you identify and manipulate these values at the database server.

The following example shows an application that extracts the 'Interests' section from the RESUME CLOB column of the EMP_RESUME table. This application transfers only a substring into memory.

```

/* ... */
SQLCHAR      stmt2[] =
              "SELECT resume FROM emp_resume "
              "WHERE empno = ? AND resume_format = 'ascii';
/* ... */
/*****
** Get CLOB locator to selected Resume **
*****/
rc = SQLBindParameter(hstmt, 1, SQL_PARAM_INPUT, SQL_C_CHAR, SQL_CHAR, 7,
                      0, Empno.s, sizeof(Empno.s), &Empno.ind);
printf("\n>Enter an employee number:\n");
gets(Empno.s);
rc = SQLExecDirect(hstmt, stmt2, SQL_NTS);
rc = SQLBindCol(hstmt, 1, SQL_C_CLOB_LOCATOR, &ClobLoc1, 0,
                &pcbValue);
rc = SQLFetch(hstmt);
/*****
Search CLOB locator to find "Interests"
Get substring of resume (from position of interests to end)
*****/
rc = SQLAllocHandle(SQL_HANDLE_STMT, hdbc, &lhstmt);
/* Get total length */
rc = SQLGetLength(lhstmt, SQL_C_CLOB_LOCATOR, ClobLoc1, &SLength, &Ind);
/* Get starting position */
rc = SQLGetPosition(lhstmt, SQL_C_CLOB_LOCATOR, ClobLoc1, 0,
                  "Interests", 9, 1, &Pos1, &Ind);
buffer = (SQLCHAR *)malloc(SLength - Pos1 + 1);
/* Get just the "Interests" section of the Resume CLOB */
/* (From Pos1 to end of CLOB) */
rc = SQLGetSubString(lhstmt, SQL_C_CLOB_LOCATOR, ClobLoc1, Pos1,
                    SLength - Pos1, SQL_C_CHAR, buffer, SLength - Pos1 + 1,
                    &OutLength, &Ind);
/* Print Interest section of Employee's resume */
printf("\nEmployee #: %s\n %s\n", Empno.s, buffer);
/* ... */

```

Figure 54. An application that uses LOB locators

LOB file reference variables in ODBC applications

As an alternative to using LOB locators, if an application requires the entire LOB column value, it can request direct file input and output for LOBs. Database queries, updates, and inserts can involve the transfer of single LOB column values into and from files.

The two Db2 ODBC LOB file access functions are:

SQLBindFileToCol()

Binds (associates) a LOB column in a result set with a file name.

Example:

```

SQLINTEGER    fileOption = SQL_FILE_OVERWRITE;
SQLINTEGER    fileInd = 0;
SQLSMALLINT   fileNameLength = 14;
/* ... */
SQLCHAR       fileName[14] = "LOBFile";
/* ... */
rc = SQLBindFileToCol(hstmt, 1, fileName, &fileNameLength,
                     &fileOption, 14, NULL, &fileInd);

```

SQLBindFileToParam()

Binds (associates) a LOB parameter marker with a file name.

Example:

```

SQLINTEGER    fileOption = SQL_FILE_OVERWRITE;
SQLINTEGER    fileInd = 0;
SQLSMALLINT   fileNameLength = 14;
/* ... */
SQLCHAR       fileName[14] = "LOBFile";
/* ... */
rc = SQLBindFileToParam(hstmt, 3, SQL_BLOB, fileName,
                       &fileNameLength, &fileOption, 14, &fileInd);

```

The file name is the absolute path name of the file. On execute or fetch, data transfer to and from the file occurs, in a similar way to that of bound application variables. A file options argument that is associated with these two functions indicates how the files are to be handled at the time of transfer.

XML data in ODBC applications

In Db2 tables, the XML built-in data type is used to store XML data in a column as a structured set of nodes in a tree format.

The ODBC symbolic SQL data type `SQL_XML` corresponds to the Db2 XML data type. The symbolic C data types that you can use for updating XML columns or retrieving data from XML columns are `SQL_C_BINARY`, `SQL_C_CHAR`, `SQL_C_DBCHAR` or `SQL_C_WCHAR`. The default C data type is `SQL_C_BINARY`, which is also the recommended data type because it enables the data to be manipulated in its native format. This data type reduces conversion overhead and minimizes data loss that can result from the conversions.

XML column updates in ODBC applications

When you update or insert data into XML columns of a Db2 table, the input data can be in textual format or Extensible Dynamic Binary XML Db2 Client/Server Binary XML Format (binary XML format)

For XML data, when you use `SQLBindParameter()` or `SQLSetParam()` to bind parameter markers to input data buffers, you can specify the data type of the input data buffer (*fctype*) as one of the following types:

- `SQL_C_BINARY`
- `SQL_C_BINARYXML`
- `SQL_C_CHAR`
- `SQL_C_DBCHAR`
- `SQL_C_WCHAR`.

When you bind a data buffer that contains XML data as `SQL_C_BINARY`, ODBC processes the XML data as internally encoded data. This is the preferred method because it avoids the overhead and potential data loss of character conversion.

Important: If the XML data is encoded in an encoding scheme and CCSID other than the application encoding scheme, you need to include internal encoding in the data and bind the data as `SQL_C_BINARY` to avoid character conversion.

When you bind a data buffer that contains XML data as `SQL_C_CHAR`, `SQL_C_DBCHAR` or `SQL_C_WCHAR`, ODBC processes the XML data as externally encoded data. ODBC determines the encoding of the data as follows:

- If the *fctype* value is `SQL_C_WCHAR`, ODBC assumes that the data is encoded as UCS-2.
- If the *fctype* value is `SQL_C_CHAR` or `SQL_C_DBCHAR`, ODBC assumes that the data is encoded in the application encoding scheme.

`SQL_C_BINARYXML` is neither internally encoded nor externally encoded. `SQL_C_BINARYXML` is in binary XML format, as opposed to textual XML format, and it has no encoding.

If you want Db2 to do an implicit `XMLPARSE` on the data before storing it in an XML column, the parameter marker data type in `SQLBindParameter()` or `SQLSetParam()` (*fsqctype*) must be specified as `SQL_XML`.

If you do an explicit `XMLPARSE` on the data, the parameter marker data type in `SQLBindParameter()` or `SQLSetParam()` (*fsqctype*) can be specified as any character or binary data type.

Examples

Example of inserting XML data into an XML column

The following example shows how to insert XML data into an XML column by using various C and SQL data types.

```
/* Variables for input XML data */
SQLCHAR HVCHAR[32768];
SQLWCHAR HVWCHAR[32768];
/* Variables for input XML data lengths */
SQLINTEGER LEN_HVCHAR;
SQLINTEGER LEN_HVWCHAR;
/* SQL statement buffer */
SQLCHAR sqlstmt[250];
/* Return code for ODBC calls */
SQLRETURN rc = SQL_SUCCESS;
/* Prepare an INSERT statement for inserting
/* data into an XML column. The input parameter
/* type is SQL_XML, so DB2 does an implicit
/* XMLPARSE.
strcpy((char *)sqlstmt,
"INSERT INTO MYTABLE(XMLCOL) VALUES(?)");
/* Bind input XML data with the SQL_C_CHAR type,
/* to an SQL_XML SQL type.
/* The data is assumed to be externally encoded,
/* in the application encoding scheme.
rc = SQLBindParameter(hstmt, 1, SQL_PARAM_INPUT, SQL_C_CHAR, SQL_XML,
0, 0, HVCHAR, sizeof(HVCHAR), &LEN_HVCHAR);
/* Execute the INSERT statement */
rc = SQLExecute(hstmt);
/* Bind input XML data with the SQL_C_WCHAR type,
/* to an SQL_XML SQL type.
/* The data is assumed to be externally encoded,
/* in the UCS-2 encoding scheme.
rc = SQLBindParameter(hstmt, 1, SQL_PARAM_INPUT, SQL_C_WCHAR, SQL_XML,
0, 0, HVWCHAR, sizeof(HVWCHAR), &LEN_HVWCHAR);
/* Execute the INSERT statement */
rc = SQLExecute(hstmt);
/* Prepare an INSERT statement for inserting
/* data into an XML column. The input parameter
/* type is SQL_CLOB, so the application must
/* do an explicit XMLPARSE.
strcpy((char *)sqlstmt,
"INSERT INTO MYTABLE (XMLCOL) ");
strcat((char *)sqlstmt,
"VALUES(XMLPARSE(DOCUMENT CAST ? AS CLOB))");
/* Bind input XML data with the SQL_C_CHAR type,
/* to an SQL_CLOB SQL type.
/* An explicit XMLPARSE is required for inserting
/* character data into an XML column.
rc = SQLBindParameter(hstmt, 1, SQL_PARAM_INPUT, SQL_C_CHAR, SQL_CLOB,
32768, 0, HVCHAR, sizeof(HVCHAR), &LEN_HVCHAR);
/* Execute the INSERT statement */
rc = SQLExecDirect(hstmt, sqlstmt, SQL_NTS);
```

Figure 55. Example of inserting XML data into an XML column

Example of inserting binary XML data into an XML column

The following example shows how to insert binary XML data into an XML column by using the SQL_C_BINARYXML data type.

```
CREATE TABLE MYTABLE ( XML_COL XML );

/* Declare variables for binary XML data */
SQLCHAR HV1BINARYXML[100];
SQLINTEGER LEN_HV1BINARYXML;
SQLCHAR sqlstmt[250];
SQLRETURN rc = SQL_SUCCESS;

/* Assume that HV1BINARYXML contains XML data in binary format
and LEN_HV1BINARYXML contains the length of data in bytes */

/* Prepare insert statement */
strcpy((char *)sqlstmt, "insert into mytable values(?)");
rc = SQLPrepare(hstmt, sqlstmt, SQL_NTS);

/* Bind XML_COL column as SQL_C_BINARYXML */
rc = SQLBindParameter(hstmt, 1, SQL_PARAM_INPUT, SQL_C_BINARYXML, SQL_XML,
```

```

0, 0, HV1BINARYXML, sizeof(HV1BINARYXML), &LEN_HV1BINARYXML);

/* Execute insert */
rc = SQLExecute(hstmt);

```

XML data retrieval in ODBC applications

When you select data from XML columns in a Db2 table, the output data is in textual format or Extensible Dynamic Binary XML Db2 Client/Server Binary XML Format (binary XML format).

For XML data, when you use `SQLBindCol()` to bind columns in a query result set to application variables, you can specify the data type of the application variables (*fCType*) as one of the following types:

- `SQL_C_BINARY`
- `SQL_C_BINARYXML`
- `SQL_C_CHAR`
- `SQL_C_DBCHAR`
- `SQL_C_WCHAR`.

The data is returned as internally encoded data.

ODBC determines the encoding of the data as follows:

- If the *fCType* value is `SQL_C_BINARY`, ODBC returns the data in the UTF-8 encoding scheme.
- If the *fCType* value is `SQL_C_BINARYXML`, ODBC returns the data in binary XML format.
- If the *fCType* value is `SQL_C_CHAR` or `SQL_C_DBCHAR`, ODBC returns the data in the application encoding scheme.
- If the *fCType* value is `SQL_C_WCHAR`, ODBC returns the data in the UCS-2 encoding scheme.

Db2 performs an implicit `XMLSERIALIZE` on the data before returning it to your application.

For applications that use the `SQL_C_BINARYXML` data type, set `LIMITEDBLOCKFETCH` to 0. Otherwise, if you attempt to use the `SQLGetData()` function to retrieve XML data and have `LIMITEDBLOCKFETCH` set to 1, the function call fails.

Examples

Example of retrieving XML data from an XML column

The following example shows how to retrieve XML data from an XML column into application variables with various C data types.

```

/* Variables for output XML data */
SQLCHAR      HVBINARY[32768];
SQLCHAR      HVCHAR[32768];
SQLDBCHAR    HVDBCHAR[32768];
SQLWCHAR     HVWCHAR[32768];
/* Variables for output XML data lengths */
SQLINTEGER   LEN_HVBINARY;
SQLINTEGER   LEN_HVCHAR;
SQLINTEGER   LEN_HVDBCHAR;
SQLINTEGER   LEN_HVWCHAR;
/* SQL statement buffer */
SQLCHAR      sqlstmt[250];
/* Return code for ODBC calls */
SQLRETURN    rc = SQL_SUCCESS;
/* Prepare an SELECT statement for retrieving
/* data from XML columns. */
strcpy((char *)sqlstmt,
"SELECT XMLCOL1, XMLCOL2, XMLCOL3, XMLCOL4 ");
strcat((char *)sqlstmt,
"FROM MYTABLE");
/* Bind data for first XML column as SQL_C_BINARY. */
/* This data will be retrieved as internally
/* encoded, in the UTF-8 encoding scheme. */
rc = SQLBindCol(hstmt, 1, SQL_C_BINARY, HVBINARY, sizeof(HVBINARY), &LEN_HVBINARY);
/* Bind data for second XML column as
/* SQL_C_CHAR. This data will be retrieved as
/* internally encoded, in the application encoding */

```

```

/* scheme. */
rc = SQLBindCol(hstmt, 2, SQL_C_CHAR, HVCHAR, sizeof(HVCHAR), &LEN_HVCHAR);
/* Bind data for third XML column as SQL_C_DBCHAR. */
/* This data will be retrieved as internally */
/* encoded, in the application encoding scheme. */
rc = SQLBindCol(hstmt, 3, SQL_C_DBCHAR, HVDBCHAR, sizeof(HVDBCHAR), &LEN_HVDBCHAR);
/* Bind data for fourth XML column as SQL_C_WCHAR. */
/* This data will be retrieved as internally */
/* encoded, in the UCS-2 encoding scheme. */
rc = SQLBindCol(hstmt, 4, SQL_C_WCHAR, HVWCHAR, sizeof(HVWCHAR), &LEN_HVWCHAR);
/* Execute the SELECT statement and fetch a row */
/* from the result set */
rc = SQLExecDirect(hstmt, sqlstmt, SQL_NTS);
rc = SQLFetch(hstmt);

```

Example of retrieving binary XML data from an XML column

The following example shows how to retrieve binary XML data from an XML column into application variables by using type SQL_C_BINARYXML.

```

CREATE TABLE MYTABLE ( XML_COL XML );

/* Declare variables for binary XML data */
SQLCHAR HV1BINARYXML[100];
SQLINTEGER LEN_HV1BINARYXML;
SQLCHAR sqlstmt[250];
SQLRETURN rc = SQL_SUCCESS;

/* Prepare select statement */
strcpy((char *)sqlstmt, "select * from mytable");
rc = SQLPrepare(hstmt, sqlstmt, SQL_NTS);

/* Bind column data as SQL_C_BINARYXML */
rc = SQLBindCol(hstmt, 1, SQL_C_BINARYXML, sizeof(HV1BINARYXML), &LEN_HV1BINARYXML);

/* Execute select */
rc = SQLExecute(hstmt);
/* Fetch result set column as binary XML */
rc = SQLFetch(hstmt);

```

Distinct types in Db2 ODBC applications

You can define your own SQL data type, which is called *distinct types*. When you create a distinct type, you base it on an existing SQL built-in type. This SQL built-in type is called the *source type*.

Internally, a distinct type and the source type are equivalent, but for most programming operations a distinct type is incompatible with the source type. You create distinct types with the CREATE DISTINCT TYPE SQL statement.

Distinct types help provide the strong typing control that an object-oriented program requires. When you use distinct types, you ensure that only functions and operators that are explicitly defined on a distinct type can be applied to instances of that type. When you use distinct types, applications continue to work with C data types for application variables. You must consider only the distinct types when you construct SQL statements.

The following guidelines apply to distinct types:

- All SQL-to-C data type conversion rules that apply to the source type also apply to the distinct type.
- The distinct type has the same default C type as the source type.
- SQLDescribeCol() returns the source type for distinct type columns. Call SQLColAttribute() with the input descriptor type set to SQL_DESC_DISTINCT_TYPE to obtain distinct type names.
- When you use an SQL predicate that compares a distinct type to a parameter marker, you must either cast the parameter marker to the distinct type or cast the distinct type to a source type. This casting is required because distinct types are not compatible with other data types in comparison operations. Applications use only C data types that represent SQL built-in types. This difference between C types and SQL types requires you to cast from the C built-in type to the SQL distinct type within the SQL statement. Alternatively you can cast the distinct type to a source type, which C types support. If you do not make one of these conversions, an error occurs when you prepare the statement.

The following example shows an application that creates distinct types, user-defined functions, and tables with distinct type columns.

```

/* ... */
/* Initialize SQL statement strings */
SQLCHAR      stmt[][MAX_STMT_LEN] = {
    "CREATE DISTINCT TYPE CNUM AS INTEGER WITH COMPARISONS",
    "CREATE DISTINCT TYPE PUNIT AS CHAR(2) WITH COMPARISONS",
    "CREATE DISTINCT TYPE UPRICE AS DECIMAL(10, 2) \
    WITH COMPARISONS",
    "CREATE DISTINCT TYPE PRICE AS DECIMAL(10, 2) \
    WITH COMPARISONS",
    "CREATE FUNCTION PRICE (CHAR(12), PUNIT, char(16) ) \
    returns char(12) \
    NOT FENCED EXTERNAL NAME 'order!price' \
    NOT VARIANT NO SQL LANGUAGE C PARAMETER STYLE DB2SQL \
    NO EXTERNAL ACTION",
    "CREATE DISTINCT TYPE PNUM AS INTEGER WITH COMPARISONS",
    "CREATE FUNCTION \"+\" (PNUM, INTEGER) RETURNS PNUM \
    source sysibm.\"+\"(integer, integer)",
    "CREATE FUNCTION MAX (PNUM) RETURNS PNUM \
    source max(integer)",
    "CREATE DISTINCT TYPE ONUM AS INTEGER WITH COMPARISONS",
    "CREATE TABLE CUSTOMER ( \
    Cust_Num      CNUM NOT NULL, \
    First_Name    CHAR(30) NOT NULL, \
    Last_Name     CHAR(30) NOT NULL, \
    Street        CHAR(128) WITH DEFAULT, \
    City          CHAR(30) WITH DEFAULT, \
    Prov_State    CHAR(30) WITH DEFAULT, \
    PZ_Code       CHAR(9) WITH DEFAULT, \
    Country       CHAR(30) WITH DEFAULT, \
    Phone_Num     CHAR(20) WITH DEFAULT, \
    PRIMARY KEY (Cust_Num) )",
    "CREATE TABLE PRODUCT ( \
    Prod_Num      PNUM NOT NULL, \
    Description   VARCHAR(256) NOT NULL, \
    Price         DECIMAL(10,2) WITH DEFAULT , \
    Units         PUNIT NOT NULL, \
    Combo        CHAR(1) WITH DEFAULT, \
    PRIMARY KEY (Prod_Num), \
    CHECK (Units in (PUNIT('m'), PUNIT('l'), PUNIT('g'), PUNIT('kg'), \
    PUNIT(' '))) )",
    "CREATE TABLE PROD_PARTS ( \
    Prod_Num      PNUM NOT NULL, \
    Part_Num      PNUM NOT NULL, \
    Quantity      DECIMAL(14,7), \
    PRIMARY KEY (Prod_Num, Part_Num), \
    FOREIGN KEY (Prod_Num) REFERENCES Product, \
    FOREIGN KEY (Part_Num) REFERENCES Product, \
    CHECK (Prod_Num <> Part_Num) )",
    "CREATE TABLE ORD_CUST( \
    Ord_Num       ONUM NOT NULL, \
    Cust_Num      CNUM NOT NULL, \
    Ord_Date      DATE NOT NULL, \
    PRIMARY KEY (Ord_Num), \
    FOREIGN KEY (Cust_Num) REFERENCES Customer )",
    "CREATE TABLE ORD_LINE( \
    Ord_Num       ONUM NOT NULL, \
    Prod_Num      PNUM NOT NULL, \
    Quantity      DECIMAL(14,7), \
    PRIMARY KEY (Ord_Num, Prod_Num), \
    FOREIGN KEY (Prod_Num) REFERENCES Product, \
    FOREIGN KEY (Ord_Num) REFERENCES Ord_Cust )"
};
/* ... */
num_stmts = sizeof(stmt) / MAX_STMT_LEN;
printf(">Executing stmts);
/* Execute Direct statements */
for (i = 0; i < num_stmts; i++) {
    rc = SQLExecDirect(hstmt, stmt[i], SQL_NTS);
}
/* ... */

```

Figure 56. An application that creates distinct types

Related concepts

[Using arrays to pass parameter values](#)

Db2 ODBC provides an array input method for updating Db2 tables.

Cast parameter markers to distinct types or distinct types to source types

When you use a distinct-type parameter in the predicate of a query statement, you must use a CAST function. You can cast either the parameter marker to a distinct type, or you can cast the distinct type to a source type.

Related reference

[CREATE TYPE \(Db2 SQL\)](#)

Stored procedures for ODBC applications

You can design an application to run in two parts: one part on the client and one part on the server.

Stored procedures are server applications that run at the database, within the same transaction as a client application.

You can write stored procedures with either embedded SQL or Db2 ODBC functions.

Both the main application that calls a stored procedure and a stored procedure itself can be either a Db2 ODBC application or a standard Db2 precompiled application. You can use any combination of embedded SQL and Db2 ODBC applications. The following figure illustrates this concept.

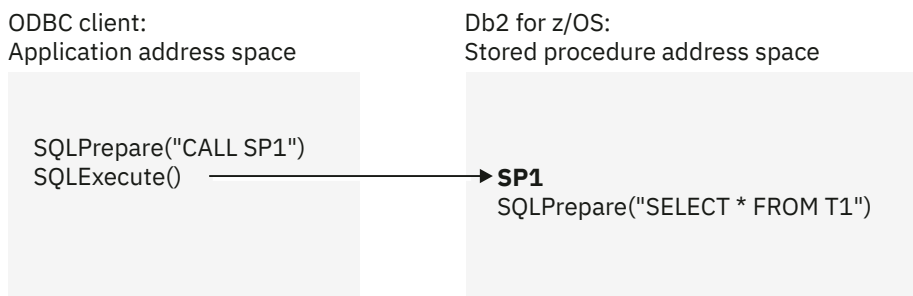


Figure 57. Running stored procedures

Related concepts

[Rules for a Db2 ODBC stored procedure](#)

Db2 ODBC stored procedures are like other Db2 ODBC applications. However, several differences exist.

Advantages of using stored procedures

With stored procedures, you can avoid network transfer of large amounts of data that is obtained as part of intermediate results in a long sequence of queries. Additionally, you can deploy client database applications as client/server pieces.

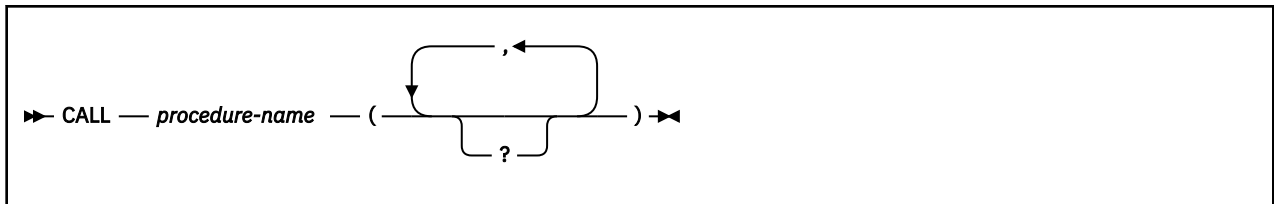
Stored procedures written in embedded static SQL have the following additional advantages:

- **Performance:** Static SQL is prepared at precompile time and has no run time overhead of access plan (package) generation.
- **Encapsulation (information hiding):** Users do not must know the details about database objects in order to access them. Static SQL can help enforce this encapsulation.
- **Security:** Users' access privileges are encapsulated within the packages associated with the stored procedures, so you are not required to grant explicit access to each database object. For example, you can grant a user run access for a stored procedure that selects data from tables for which the user does not have SELECT privilege.

Stored procedure calls in a Db2 ODBC application

To invoke stored procedures from a Db2 ODBC application, pass a CALL statement to `SQLExecDirect()`, or to `SQLPrepare()` followed by `SQLExecute()`.

The syntax of the CALL statement is:



procedure-name

The name of the stored procedure to execute. Call `SQLProcedures()` to obtain a list of stored procedures that are available at the database.

Although the CALL statement cannot be prepared dynamically, Db2 ODBC accepts the CALL statement as if it can be dynamically prepared. You can also call stored procedures with the ODBC vendor escape sequence.

The question mark (?) in the CALL statement syntax diagram denotes parameter markers that correspond to the arguments for a stored procedure. Call `SQLProcedureColumns()` to determine the input and output parameters for a stored procedure. You must pass all arguments to a stored procedure with parameter markers. Literals, the NULL keyword, and special registers are not allowed. However, you can use literals if you include a vendor escape clause in your CALL statement.

You bind the parameter markers in a CALL statement to application variables with `SQLBindParameter()`. Although you can use stored procedure arguments that are both input and output arguments, you should avoid sending unnecessary data between the client and the server. Specify either `SQL_PARAM_INPUT` for input arguments or `SQL_PARAM_OUTPUT` for output arguments when you call `SQLBindParameter()`. Specify `SQL_PARAM_INPUT_OUTPUT` only if the stored procedure uses arguments that are both input and output arguments. Literals are considered type `SQL_PARAM_INPUT` only.

Related concepts

Vendor escape clauses

Vendor escape clauses increase the portability of your application if your application accesses multiple data sources from different vendors. However, if your application accesses only Db2 data sources, you have no reason to use vendor escape clauses.

Related reference

Stored procedure CALL

In ODBC, you can use the extended SQL syntax for calling a stored procedure in a vendor escape clause to make stored procedure calls portable in your SQL statements.

CALL (Db2 SQL)

Rules for a Db2 ODBC stored procedure

Db2 ODBC stored procedures are like other Db2 ODBC applications. However, several differences exist.

Although stored procedures that are written in embedded SQL provide more advantages than stored procedures that are written in ODBC, you might want components of Db2 ODBC applications to run on servers. You can write stored procedures in Db2 ODBC to minimize the required changes to the code and logic of those components.

You write ODBC stored procedures as ordinary ODBC applications, with the following exceptions:

- You must turn off AUTOCOMMIT. Set the `SQL_ATTR_AUTOCOMMIT` attribute to `SQL_AUTOCOMMIT_OFF` with `SQLSetConnectAttr()`. You can also specify `AUTOCOMMIT=0` in the Db2 ODBC initialization file to disable AUTOCOMMIT.
- You must make a null database connection with `SQLConnect()`. A stored procedure runs under the same connection and transaction as the client application. A null `SQLConnect()` call associates a connection handle in the stored procedure with the underlying connection of the client application. To make a null `SQLConnect()` call, set the `szDSN`, `szUID`, and `szAuthStr` argument pointers to NULL, and set their respective length arguments to 0.

- If your stored procedure contains any LOB data types or distinct types in its parameter list, specify `MVSATTACHTYPE=RRSAF` in the Db2 ODBC initialization file. Db2 for z/OS requires that stored procedures containing any LOBs or distinct types must run in a WLM-established stored procedure address space.

When you define a Db2 ODBC stored procedure to Db2, specify the `COMMIT ON RETURN NO` clause in the `CREATE PROCEDURE SQL` statement. For stored procedures that are written in Db2 ODBC, the `COMMIT ON RETURN` clause has no effect on Db2 ODBC rules. However, `COMMIT ON RETURN NO` overrides the manual-commit mode that is set in the client application.

Result sets from stored procedures in ODBC applications

In Db2 ODBC applications, you use open cursors to retrieve result sets from stored procedure calls.

Stored procedures that return result sets to Db2 ODBC open one or more cursors that are each associated with a query, and keep these cursors open when the stored procedure exits. When a stored procedure leaves more than one cursor open after it exits, it returns multiple result sets.

When you define a stored procedure that returns result sets, you must specify the maximum number of result sets that the procedure is to return. You specify this value in the `DYNAMIC RESULT SETS` clause in the `CREATE PROCEDURE SQL` statement. This value appears in the `RESULT_SETS` column of the `SYSIBM.SYSROUTINES` table for all stored procedures. A zero in this column indicates that open cursors return no result sets. Zero is the default value.

Programming stored procedures to return result sets

In general, you write a stored procedure that returns result sets to a Db2 ODBC application to perform various actions.

You can perform the following actions:

- For each result set the stored procedure returns, declare a cursor with the `WITH RETURN` option, open the cursor on the result set (that is, execute a query), and leave the cursor open after you exit the procedure.
- Return a result set for every cursor that is left open after exit, in the order in which the procedure opened the corresponding cursors.
- Pass only unread rows back to the Db2 ODBC client application.

For example, if the result set of a cursor has 500 rows, but the stored procedure reads 150 of those rows before it terminates, the stored procedure returns only rows 151 through 500. You can use this behavior to filter out initial rows in the result set before you return them to the client application.

More specifically, to write a Db2 ODBC stored procedure that returns result sets, you must include the following procedure in your application:

1. Issue `SQLExecute()` or `SQLExecDirect()` to perform a query that opens a cursor. In stored procedures, Db2 ODBC declares cursors with the `WITH RETURN` option.
2. Optionally, issue `SQLFetch()` to read rows that you want to filter from the result set.
3. Issue `SQLDisconnect()`, `SQLFreeHandle()` with `HandleType` set to `SQL_HANDLE_DBC`, and `SQLFreeHandle()` with `HandleType` set to `SQL_HANDLE_ENV` to exit the stored procedure. This exit leaves the statement handle, and the corresponding cursor, in a valid state.

Do not issue `SQLFreeHandle()` with `HandleType` set to `SQL_HANDLE_STMT` or `SQLCloseCursor()`. When you do not free the statement handle or explicitly close the cursor on that handle, the cursor remains open to return result sets. If you close a cursor before the stored procedure exit, it is a local cursor. If you keep a cursor open after you exit the stored procedure, it returns a query result set (also called a multiple result set) to the client application.

Related concepts

[Example Db2 ODBC code](#)

Restrictions on stored procedures returning result sets

In general, calling a stored procedure that returns a result set is equivalent to executing a query statement.

Calling a stored procedure that returns a result set is bounded by the following restrictions:

- `SQLDescribeCol()` or `SQLColAttribute()` do not return column names for static query statements. In this case of static statements, these functions return the ordinal position of columns instead.
- All result sets are read-only.
- You cannot use schema functions (such as the `SQLTables()` function) to return a result set. If you use schema functions within a stored procedure, you must close all cursors that are associated with the statement handles of those functions. If you do not close these cursors, your stored procedure might return extraneous result sets.
- When you prepare a stored procedure, you cannot access the column information for the result set until after you issue the `CALL` statement. Normally, you can access result set column information immediately after you prepare a query.

Programming Db2 ODBC client applications to receive result sets

After you execute a stored procedure from a client application, you receive the result sets from that stored procedure. You receive these result sets in the same way that you receive result sets from a query.

Procedure

To write a Db2 ODBC client application that receives result sets from a stored procedure:

1. Ensure that no open cursors are associated with the statement handle on which you plan to issue the `CALL SQL` statement.
2. Call `SQLPrepare()` and `SQLExecute()`, or call `SQLExecDirect()` to issue the `CALL SQL` statement for the stored procedure that you want to invoke.

This execution of the `CALL SQL` statement effectively causes the cursors that are associated with the result sets to open.

3. Examine output parameters that the stored procedure returns.
For example, the procedure might be designed with an output parameter that indicates exactly how many result sets are generated. You could then use this information to receive those result sets more efficiently.
4. If you do not know the nature of the result set, or the number of columns that the result set is to contain, call `SQLNumResultCols()`, `SQLDescribeCol()`, or `SQLColAttribute()`
5. You must process result sets serially.

You receive each result set one at a time in the order that the stored procedure opens the corresponding cursors.

6. Use any permitted combination of `SQLBindCol()`, `SQLFetch()`, and `SQLGetData()` to obtain the data set from the current cursor.

When you finish processing the current result set, call `SQLMoreResults()` to check for more result sets to receive. If an additional result set exists, `SQLMoreResults()` returns `SQL_SUCCESS`, closes the current cursor, and advances processing to the next open cursor. Otherwise, `SQLMoreResults()` returns `SQL_NO_DATA_FOUND`. Repeat steps “3” on page 478 through “6” on page 478 until you receive all result sets that the stored procedure returned.

Related reference

[SQLBindCol\(\)](#) - Bind a column to an application variable

`SQLBindCol()` binds a column to an application variable. You can call `SQLBindCol()` once for each column in a result set from which you want to retrieve data or LOB locators.

[SQLDescribeCol\(\)](#) - Describe column attributes

`SQLDescribeCol()` returns commonly used descriptor information about a column in a result set that a query generates. Before you call this function, you must call either `SQLPrepare()` or `SQLExecDirect()`.

`SQLExecDirect()` - Execute a statement directly

`SQLExecDirect()` prepares and executes an SQL statement in one step.

`SQLExecute()` - Execute a statement

`SQLExecute()` executes a statement, which you successfully prepared with `SQLPrepare()`, once or multiple times. When you execute a statement with `SQLExecute()`, the current value of any application variables that are bound to parameter markers in that statement are used.

`SQLGetData()` - Get data from a column

`SQLGetData()` retrieves data for a single column in the current row of the result set. You can also use `SQLGetData()` to retrieve large data values in pieces. After you call `SQLGetData()` for each column, call `SQLFetch()` or `SQLExtendedFetch()` for each row that you want to retrieve.

`SQLMoreResults()` - Check for more result sets

`SQLMoreResults()` returns more information about a statement handle. The information can be associated with an array of input parameter values for a query, or a stored procedure that returns results sets.

`SQLNumResultCols()` - Get number of result columns

`SQLNumResultCols()` returns the number of columns in the result set that is associated with the input statement handle. `SQLPrepare()` or `SQLExecDirect()` must be called before you call `SQLNumResultCols()`. After you call `SQLNumResultCols()`, you can call `SQLColAttribute()` or one of the bind column functions.

`SQLPrepare()` - Prepare a statement

`SQLPrepare()` associates an SQL statement with the input statement handle and sends the statement to the database management system where it is prepared. The application can reference this prepared statement by passing the statement handle to other functions.

Multithreaded and multiple-context applications in Db2 ODBC

Db2 ODBC supports multi-threading and multiple contexts. You need to follow certain guidelines when using multiple contexts and multi-threading together in an application.

Db2 ODBC support for multiple Language Environment threads

A Language Environment thread represents an independent instance of a routine within an application. When you execute a Db2 ODBC application, it begins with an initial Language Environment thread, or parent thread.

To make your application multithreaded, call the POSIX Pthread function `pthread_create()` within your application. This function creates additional Language Environment threads, or child threads, which work concurrently with the parent thread.

You must run multithreaded Db2 ODBC applications in one of the following environments:

- The z/OS UNIX environment.
- For applications that are HFS-resident, TSO or batch environments that use the IBM-supplied BPXBATCH program.
- For applications that are not HFS-resident, TSO or batch environments that use the Language Environment run time option `POSIX(ON)`.

Example: To run the multithreaded, non-HFS, Db2 ODBC application APP1 in the data set `USER.RUNLIB.LOAD`, you could use one of the following approaches:

- Use TSO to enter the command:

```
CALL 'USER.RUNLIB.LOAD(APP1)' 'POSIX(ON)/'
```

- Use batch JCL to submit the job:

```
//STEP1 EXEC PGM=APP1,PARM='POSIX(ON) / '
//STEPLIB DD DSN=USER.RUNLIB.LOAD,DISP=SHR
//          DD ...other libraries needed at run time...
```

The collection of all the Language Environment threads in an application make an independent set of routines called a Language Environment *enclave*. All Language Environment threads within an enclave share the same reentrant copy of the Db2 ODBC driver code. Db2 ODBC must also protect shared storage when multiple Language Environment threads run concurrently in the same enclave. Reentrant code that correctly handles shared storage is referred to as *threadsafe*. Multithreaded ODBC applications require a threadsafe driver.

The Db2 ODBC driver is threadsafe. Db2 ODBC supports the concurrent execution of Language Environment threads. Your Db2 ODBC applications will support multiple Language Environment threads, only if the following conditions are true:

- Db2 ODBC can access the z/OS UNIX environment. Db2 ODBC uses Pthread *mutex* functions, which the z/OS UNIX environment provides, to serialize critical sections of Db2 ODBC code. With these Pthread mutex functions, all Db2 ODBC functions are threadsafe.
- THREADSAFE=0 is not specified in the initialization file. You can use the THREADSAFE keyword to specify whether the Db2 ODBC driver uses Pthread mutex functions to make your applications threadsafe.

Multithreaded applications use threads to perform work in parallel. The following figure depicts an application that performs parallel operations on two different connections and manages a shared application buffer.

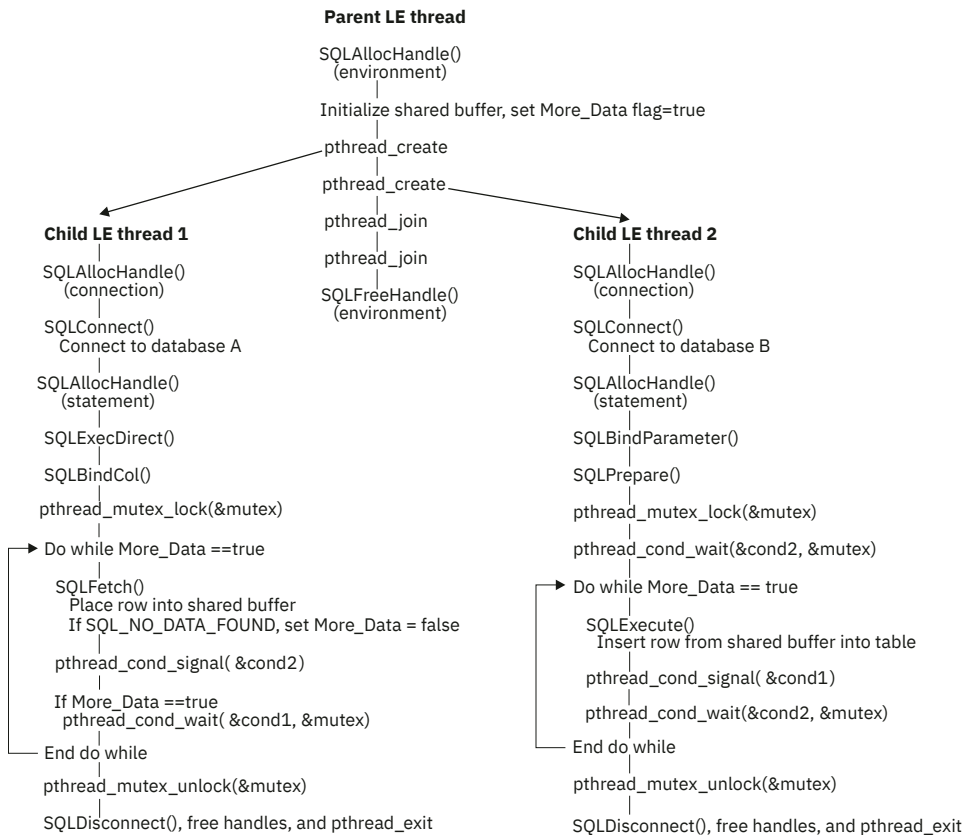


Figure 58. Multithreaded application

The application that the preceding figure portrays an application that performs the following steps to make a parallel database-to-database copy:

1. Creates two child Language Environment threads from an initial parent thread. The parent thread remains active for the duration of the child threads. Db2 ODBC requires that the thread that establishes the environment handle must persist for the duration of the application. The persistence of this thread keeps Db2 language interface routines resident in the Language Environment enclave.
2. Connects to database A with child Language Environment thread 1 and uses `SQLFetch()` to read data from this connection into a shared application buffer.
3. Connects to database B with child Language Environment thread 2. Child Language Environment thread 2 concurrently reads data from the shared application buffer and inserts this data into database B.
4. Calls Pthread functions to synchronize the use of the shared application buffer within each of the child threads.

Related concepts

[Overview of preparing and executing a Db2 ODBC application](#)

To prepare and execute a Db2 ODBC application, you need to follow certain steps and understand the Db2 ODBC components.

Related reference

[Db2 ODBC initialization keywords](#)

Db2 ODBC initialization keywords control the run time environment for Db2 ODBC applications.

[z/OS UNIX System Services Command Reference](#)

[z/OS XL C/C++ runtime library functions \(C/C++ Run-Time Library Reference\)](#)

Related information

[Language Environment Programming Guide \(z/OS Language Environment Programming Guide\)](#)

When to use multiple Language Environment threads

Some general application types are well-suited to multithreading. For example, applications that handle asynchronous work requests make good candidates for multithreading.

An application that handles asynchronous work requests can take the form of a parent-child threading model in which the parent Language Environment thread creates child Language Environment threads to handle incoming work. The parent thread can then dispatch these work requests, as they arrive, to child threads that are not currently busy handling other work.

Related reference

[z/OS XL C/C++ Programming Guide](#)

Db2 ODBC support of multiple contexts

A *context* is the Db2 ODBC equivalent of a Db2 thread. Contexts are the structures that describe the logical connections that an application makes to data sources and the internal Db2 ODBC connection information that allows applications to direct operations to a data source.

You establish a context when you allocate a connection handle when multiple contexts are enabled. Db2 ODBC always creates a context for the first connection handle that you create on a Language Environment thread. If you do not enable Db2 ODBC support for multiple contexts, only these `SQLAllocHandle()` calls establish a context. If you enable support for multiple contexts, Db2 ODBC establishes a separate context (and Db2 thread) each time that you issue `SQLAllocHandle()` to allocate a connection handle.

To enable or explicitly disable Db2 ODBC support for multiple contexts, use the `MULTICONTEXT` keyword in the Db2 ODBC initialization file.

Before you enable multiple contexts, each Language Environment thread that you create can use only a single context. With only one context for each Language Environment thread, your application runs with only simulated support for the ODBC connection model. Multiple contexts are disabled by default. To explicitly disable multiple contexts, specify `MULTICONTEXT=0` in the initialization file.

When you specify MULTICONTEXT=1 in the initialization file, a distinct context is established for each connection handle, which you establish with `SQLAllocHandle()`. With a context for each connection, Db2 ODBC is consistent with, and provides full support for, the ODBC connection model.

To use multiple contexts, you must specify `MVSATTACHTYPE=RRSAF` in the initialization file.

Specifying `MULTICONTEXT=1` implies `CONNECTTYPE=1`. Implicitly concurrent connection types are consistent with the ODBC connection model. `SQLEndTran()` handles all connections independently for both commit and rollback.

In a multiple-context environment, you establish contexts with `SQLAllocHandle()` and delete contexts with `SQLFreeHandle()` (with the *HandleType* argument on both functions set to `SQL_HANDLE_DBC`). All `SQLConnect()` and `SQLDisconnect()` operations that use the same connection handle belong to the same context. Although you can make only one active connection to a data source within a single context, you can call `SQLDisconnect()` and then call `SQLConnect()` to change the target data source. When you change data sources in a multiple-context environment, this change is also subject to the rules of `CONNECTTYPE=1`.

When you specify `MULTICONTEXT=1`, Db2 ODBC automatically uses the internal RRS control functions to create and manage contexts for the application. However, Db2 ODBC does not perform context management for the application if any of the following conditions are true:

- Your Db2 ODBC application creates a Db2 thread before it invokes Db2 ODBC. This condition always applies for any stored procedure that uses Db2 ODBC.
- Your Db2 ODBC application creates and switches to an RRS private context before it invokes Db2 ODBC. For example, an application that explicitly uses z/OS Unauthorized Context Services and that issues `ctxswch()` to switch to a private context prior to invoking Db2 ODBC cannot take advantage of `MULTICONTEXT=1`.
- Your Db2 ODBC application starts a unit of recovery with any RRS resource manager before it invokes Db2 ODBC.
- You specify `MVSATTACHTYPE=CAF` in the initialization file.

To determine if `MULTICONTEXT=1` is active for the Db2 ODBC application, call `SQLGetInfo()` with the *InfoType* argument set to `SQL_MULTIPLE_ACTIVE_TXN`.

The following table shows the connection characteristics that different combinations of `MULTICONTEXT` and `CONNECTTYPE` produce.

Table 260. Connection characteristics

Setting: MULTICONTEXT	Setting: CONNECTTYPE	Result: Language Environment threads can have more than one ODBC connection with an outstanding unit of work	Result: Language Environment threads can commit or roll back an ODBC connection independently	Result: Number of Db2 threads that Db2 ODBC creates on behalf of application
0	2	Y	N	1 per Language Environment thread
0	1	N	Y	1 per Language Environment thread
1 ¹	1 or 2 ²	Y	Y	1 per ODBC connection handle

Table 260. Connection characteristics (continued)

Setting: MULTICONTEXT	Setting: CONNECTTYPE	Result: Language Environment threads can have more than one ODBC connection with an outstanding unit of work	Result: Language Environment threads can commit or roll back an ODBC connection independently	Result: Number of Db2 threads that Db2 ODBC creates on behalf of application
--------------------------	-------------------------	--	---	--

Note:

1. MULTICONTEXT=1 requires MVSATTACHTYPE=RRSAF
2. MULTICONTEXT=1 implies CONNECTTYPE=1 characteristics. If you specify MULTICONTEXT=1 and CONNECTTYPE=2 in the initialization file, Db2 ODBC ignores CONNECTTYPE=2. When you specify MULTICONTEXT=1, any attempt to set CONNECTTYPE=2 with `SQLSetEnvAttr()`, `SQLSetConnectAttr()`, or `SQLDriverConnect()` is rejected with SQLSTATE **01S02**.
 - All connections in a Db2 ODBC application have the same CONNECTTYPE and MULTICONTEXT characteristics. The connection type of an application (which is specified with the CONNECTTYPE keyword) is established at the first `SQLConnect()` call. Multiple-context support (which is specified with the MULTICONTEXT keyword) is established when you allocate an environment handle.
 - For CONNECTTYPE=1 or MULTICONTEXT=1, the AUTOCOMMIT default value is ON. For CONNECTTYPE=2 or MULTICONTEXT=0, the AUTOCOMMIT default value is OFF.

Related concepts

[Db2 ODBC restrictions on the ODBC connection model](#)

Db2 ODBC does not fully support the ODBC connection model if the initialization file does not specify MULTICONTEXT=1.

Related reference

[SQLGetInfo\(\) - Get general information](#)

`SQLGetInfo()` returns general information about the database management systems to which the application is currently connected. For example, `SQLGetInfo()` indicates which data conversions are supported.

[Db2 ODBC initialization keywords](#)

Db2 ODBC initialization keywords control the run time environment for Db2 ODBC applications.

Multiple contexts, one Language Environment thread

When you specify the initialization file setting MULTICONTEXT=1, a Db2 ODBC application can create multiple independent connections for each Language Environment thread.

The following example is an application that uses multiple contexts on one Language Environment thread.

```

/* Get an environment handle (henv).          */
SQLAllocHandle(SQL_HANDLE_ENV, SQL_HANDLE_NULL, &henv );
/*
 * Get two connection handles, hdbc1 and hdbc2, which
 * represent two independent DB2 threads.
 */
SQLAllocHandle(SQL_HANDLE_DBC, henv, &hdbc1 );
SQLAllocHandle(SQL_HANDLE_DBC, henv, &hdbc2 );
/* Set autocommit off for both connections.    */
/* This is done only to emphasize the          */
/* independence of the connections for purposes */
/* of this example, and is not intended as      */
/* a general recommendation.                   */
SQLSetConnectAttr(hdbc1, SQL_ATTR_AUTOCOMMIT, (void *)SQL_AUTOCOMMIT_OFF, 0 );
SQLSetConnectAttr(hdbc2, SQL_ATTR_AUTOCOMMIT, (void *)SQL_AUTOCOMMIT_OFF, 0 );
/* Perform SQL under DB2 thread 1 at STLEC1.    */
SQLConnect( hdbc1, (SQLCHAR *) "STLEC1", ... );
SQLAllocHandle(SQL_HANDLE_STMT, hdbc1, &hstmt1);
SQLExecDirect ...

.
.
/* Perform SQL under DB2 thread 2 at STLEC1.    */
SQLConnect( hdbc2, (SQLCHAR *) "STLEC1", ... );
SQLAllocHandle(SQL_HANDLE_STMT, hdbc2, &hstmt2);
SQLExecDirect ...

.
.
/* Commit changes on connection 1.              */
SQLEndTran(SQL_HANDLE_DBC, hdbc1, SQL_COMMIT);
/* Rollback changes on connection 2.           */
SQLEndTran(SQL_HANDLE_DBC, hdbc2, SQL_ROLLBACK);
.
.

```

Figure 59. An application that makes independent connections on a single Language Environment thread

Multiple contexts, multiple Language Environment threads

When you combine the initialization file setting MULTICONTEXT=1 with the default setting THREADSAFE=1, your application can create multiple independent connections under multiple Language Environment threads. With this capability, you can use a fixed number of Language Environment threads to implement complex Db2 ODBC server applications that handle multiple incoming work requests.

Applications that use both multiple contexts and multiple Language Environment threads require you to manage application resources. Use the Pthread functions or another internal mechanism to prevent different threads from using the same connection handles or statement handles. The following figure shows how an application can fail without a mechanism to serialize use of handles.

LE_Thread_1	LE_Thread_2
.	.
.	.
.	.
.	.
rc = SQLExecDirect(hstmt1, ...);	.
.	.
.	SQLFreeHandle(hstmt1, SQL_DROP);
.	.
.	.
.	.
.	.

SQLExecDirect() returns SQL_INVALID_HANDLE because LE_Thread_2 frees hstmt1 before LE_Thread_1 is finished using that statement handle.

Figure 60. Example of improper serialization

The following figure shows a design that establishes a pool of connections. From this connection pool, you can map a Language Environment thread to each connection. This design prevents two Language Environment threads from using the same connection (or an associated statement handle) at the same time, but it allows these threads to share resources.

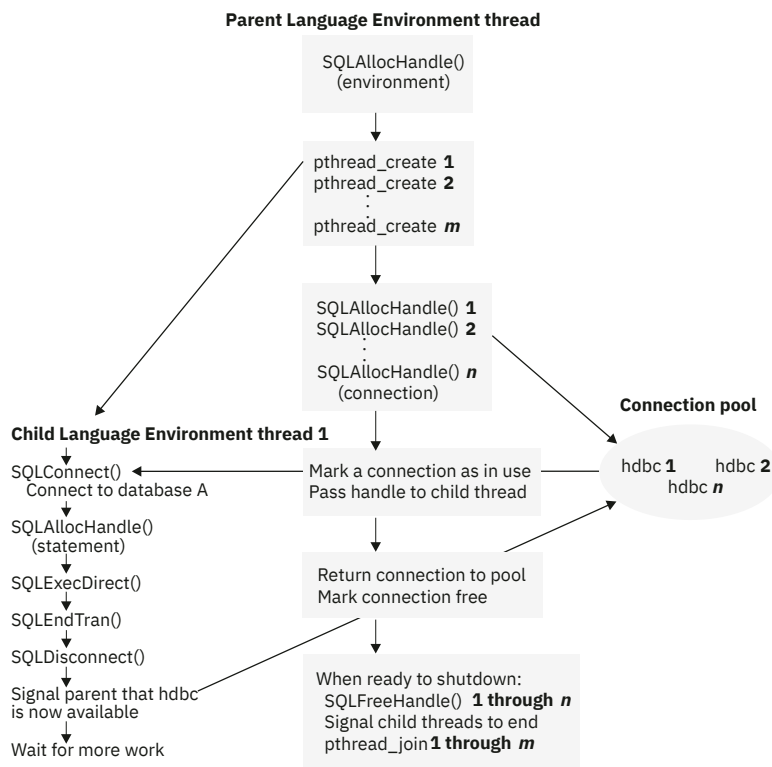


Figure 61. Model for multithreading with connection pooling (MULTICONTEXT=1)

To establish a pool of connections (as [Figure 61 on page 485](#) depicts), include the following steps in your application:

1. Designate a parent Language Environment thread. In Db2 ODBC, you designate a parent thread when you establish the environment with `SQLAllocHandle()`. This Language Environment thread that establishes the environment must persist for the duration of the application, so that Db2 language interface routines can remain resident in the Language Environment enclave.
2. From the parent Language Environment thread, allocate:
 - m child threads, one for each application task
 - n connection handles. This is the connection pool.
3. Execute each task on a separate child thread. Use the parent thread to dispatch these tasks to each child thread.
4. When a child thread requires access to a database, use the parent thread to allocate one of the n connections from the connection pool to the child thread. Remove this connection handle from the pool by marking it as used.
5. When you finish operating on a connection under a child thread, signal the parent thread to return this connection to the pool by marking it as free.
6. To terminate your application, free all connection handles with `SQLFreeHandle()` and terminate all child threads with `pthread_join()` from the parent thread.

Connections move from one application thread to another as the connections in the pool are assigned to child threads, returned to the pool, and assigned again.

With this design, you can create more Language Environment threads than connections, if threads are also used to perform non-SQL related tasks. You can also create more connections than threads, if you want to maintain a pool of active connections but limit the number of active tasks that your application performs.

Db2 ODBC does not control access to other application resources such as bound columns, parameter buffers, and files. If Language Environment threads need to share resources in your application, you must implement a mechanism to synchronize this access.

Related concepts

Db2 ODBC support for multiple Language Environment threads

A Language Environment thread represents an independent instance of a routine within an application. When you execute a Db2 ODBC application, it begins with an initial Language Environment thread, or parent thread.

External contexts

Typically, the Db2 ODBC driver manages contexts in an ODBC application. With external contexts, you can write applications that manage contexts outside of Db2 ODBC. You use external contexts in combination with Language Environment threads in the same way you use multiple contexts in combination with Language Environment threads.

When you combine external contexts with Language Environment threads, you must manage both the external contexts and the Language Environment threads within your application.

To write an application that uses external contexts, specify the following values in the initialization file:

- MULTICONTEXT=0
- MVSATTACHTYPE=RRSAF

Call the following APIs in your application to manage contexts using Resource Recovery Services (RRS) instead of the Db2 ODBC driver:

- CRGGRM() to register your application as a resource manager
- CRGSEIF() to set exit routines for your application
- CTXBEGC() to create a private external context
- CTXSWCH() to switch between contexts
- CTXENDC() to end a private external context

When an application attempts to establish multiple active connections to the same data source from a single context, the ODBC driver rejects the connection request.

You cannot define different connection types for each external context. The following specifications set the connection type of all connections for every external context that your Db2 ODBC application creates:

- The CONNECTTYPE keyword in the initialization file
- The SQL_ATTR_CONNECTTYPE attribute in the functions SQLSetEnvAttr() and SQLSetConnectAttr()

Db2 ODBC does not support external contexts in applications that run as a stored procedure.

The following example shows an application that manages contexts outside of ODBC. This application uses RRS APIs to register as a context manager, set exit routines, create an external context, and switch between contexts.

```

/* Register as an unauthorized resource manager */
CRGGRM();
/* Set exit information */
CRGSEIF();
/* Get an environment handle (henv) */
SQLAllocHandle(SQL_HANDLE_ENV, SQL_NULL_HANDLE, &henv);
/* Get a connection handle, hdbc1, and connect to
   STLEC1 under the native context. */
SQLAllocHandle(SQL_HANDLE_DBC, henv, &hdbc1);
SQLConnect( hdbc1, "STLEC1", ... );
/* Execute SQL under the native context at STLEC1*/
SQLAllocHandle(SQL_HANDLE_STMT, ...);
SQLExecDirect ...

.
.
/* Create a private context */
CTXBEGC( cxtoken1 );
/* Switch to private */
CTXSWCH( cxtoken1 );
An application that manages external contexts
/* Get a connection handle, hdbc2, and connect
   to STLEC1 under the private context. */
SQLAllocHandle(SQL_HANDLE_DBC, henv, &hdbc2);
SQLConnect( hdbc2, "STLEC1", ... );
/* Execute SQL under the private context at
   STLEC1 */
SQLAllocHandle(SQL_HANDLE_STMT, ...);
SQLExecDirect ...

.
.
/* Commit changes on hdbc2 */
SQLEndTran(SQL_HANDLE_DBC, hdbc2, SQL_COMMIT);
/* Switch back to native */
CTXSWCH( 0 );
/* Execute some more SQL under the native context
   at STLEC1 */
SQLAllocHandle(SQL_HANDLE_STMT, ...);
SQLExecDirect ...

.
.
/* Rollback changes on hdbc1 */
SQLEndTran(SQL_HANDLE_DBC, hdbc1, SQL_ROLLBACK);

```

Figure 62. An application that manages external contexts

Related reference

Db2 ODBC initialization keywords

Db2 ODBC initialization keywords control the run time environment for Db2 ODBC applications.

[z/OS MVS Programming: Resource Recovery](#)

[MVS Authorized Assembler Services Guide](#)

Application deadlocks

When you use multiple connections to access the same database resources concurrently, you create general contention for database resources. Timeouts and deadlocks can result from this contention.

The Db2 subsystem detects deadlocks and performs rollbacks on the necessary connections to resolve these deadlocks. However, the Db2 subsystem cannot detect a deadlock if the contention that created that deadlock involves application resources. An application that creates multiple connections with multithreading or multiple-context support can potentially create deadlocks if the following sequence occurs:

1. Two Language Environment threads connect to the same data source using two Db2 threads.
2. One Language Environment thread holds an internal application resource (such as a mutex) while its Db2 thread waits for access to a database resource.
3. The other Language Environment thread has a lock on a database resource while waiting for the internal application resource.

When this sequence of events occurs, the Db2 subsystem does not detect a deadlock because the Db2 subsystem cannot monitor the internal resources of the application. Although the Db2 subsystem cannot

detect the deadlock itself, it does detect and handle any Db2 thread timeouts that result from that deadlock.

Application encoding schemes and Db2 ODBC

Unicode and ASCII are alternatives to the EBCDIC character encoding scheme. The Db2 ODBC driver supports input and output character string arguments to ODBC APIs and input and output host variable data in each of these encoding schemes.

With this support, you can manipulate data, SQL statements, and API string arguments in EBCDIC, Unicode, or ASCII.

Types of encoding schemes

Different encoding schemes can represent character data. You can incorporate EBCDIC, ASCII, and Unicode encoding schemes in Db2 ODBC.

The EBCDIC and ASCII encoding scheme include multiple code pages; each code page represents 256 characters for one specific geography or one generic geography. The Unicode encoding scheme does not require the use of code pages, because it represents over 65,000 characters. Unicode can also accommodate many different languages and geographies.

The Unicode standard defines several implementations including UTF-8, UCS-2, UTF-16, and UCS-4. ODBC Db2 supports Unicode in the following formats:

- UTF-8 (variable length, 1-byte - 6-byte characters)
- UCS-2 (2-byte characters)

Application programming guidelines for handling different encoding schemes

The Db2 ODBC driver determines whether an application is an EBCDIC, Unicode, or ASCII application by evaluating the CURRENTAPPENSCH keyword in the initialization file. You must compile your application with a compiler option that corresponds to this setting.

Specify corresponding encoding schemes for the Db2 ODBC driver and your application, by performing the following actions:

1. Set the CURRENTAPPENSCH keyword in the initialization file to EBCDIC, UNICODE, or ASCII, or to a CCSID from which the driver derives the encoding scheme. EBCDIC is the default.
2. Compile the application in EBCDIC, Unicode (with either the UTF-8 or UCS-2 compiler option), or ASCII.

You should specify the same encoding scheme with both of these actions.

When you write ODBC applications, you also need to choose API entry points and bind host variables to C types that are appropriate for the encoding scheme of your application.

Db2 ODBC API entry points

A Db2 ODBC *entry point* is a function that provides support for one or more application encoding schemes. Db2 ODBC supports two entry points for each function that passes and accepts character string arguments: a generic API and a wide (suffix-W) API.

The entry point that you use depends on the current encoding scheme of your application. Use the following guidelines to choose the correct entry points for your application:

- Use generic APIs for EBCDIC, ASCII, and Unicode UTF-8 string arguments.

Example: To specify a Unicode UTF-8 argument, call a generic API:

```
SQLExecDirect( (SQLHSTMT) hstmt,
               (SQLCHAR *) UTF8STR,
               (SQLINTEGER) SQL_NTS );
```

- Use wide (suffix-W) APIs only for Unicode UCS-2 string arguments.

Example: To specify a Unicode UCS-2 argument, call a suffix-W API:

```
SQLExecDirectW( (SQLHSTMT) hstmt,
                (SQLWCHAR *) UCS2STR,
                (SQLINTEGER) SQL_NTS );
```

Related reference

Suffix-W API function syntax

Db2 for z/OS supports function prototypes for suffix-W APIs, which have slight differences from generic APIs.

Functions for binding host variables to C types

You use the generic APIs `SQLBindCol()`, `SQLBindParameter()`, and `SQLGetData()` as the entry points to bind application variables in all encoding schemes. Db2 ODBC requires only a single entry point to functions that bind application variables.

The Db2 ODBC driver uses the following specifications to determine the encoding scheme of the character data in these functions:

- The *fctype* argument value in `SQLBindCol()`, `SQLBindParameter()`, and `SQLGetData()`.
- The setting of the `CURRENTAPPENSCH` keyword in the Db2 ODBC initialization file, if the *fctype* argument value is not `SQL_C_WCHAR`.

If *fctype* is `SQL_C_WCHAR`, the encoding scheme is Unicode UCS-2, regardless of the `CURRENTAPPENSCH` setting.

The following table summarizes how to set the `CURRENTAPPENSCH` keyword, declare application variables, and declare the *fctype* argument to bind application variables in each encoding scheme.

Table 261. Required values to bind application variables in each encoding scheme

Db2 ODBC elements	EBCDIC	Unicode UCS-2	Unicode UTF-8	ASCII
<code>CURRENTAPPENSCH</code> keyword setting	EBCDIC (default)	Not applicable	UNICODE	ASCII
Application variable C type definition	SQLCHAR or SQLDBCHAR	SQLWCHAR	SQLCHAR	SQLCHAR or SQLDBCHAR
<i>fctype</i> on <code>SQLBindParameter()</code> , <code>SQLBindCol()</code> , or <code>SQLGetData()</code>	SQL_C_CHAR or SQL_C_DBCHAR	SQL_C_WCHAR	SQL_C_CHAR	SQL_C_CHAR or SQL_C_DBCHAR

Requirement: You must use the symbolic C data type for the *fctype* argument that corresponds to the data type you use for application variables. For example, when you bind `SQLCHAR` application variables, you must specify the symbolic C data type `SQL_C_CHAR` for the *fctype* argument in your bind function call.

Suffix-W API function syntax

Db2 for z/OS supports function prototypes for suffix-W APIs, which have slight differences from generic APIs.

The following table compares the function prototypes for suffix-W APIs that Db2 for z/OS supports with the function prototypes of their generic counterparts. The differences of the suffix-W function prototypes from the generic function prototypes are highlighted in **bold**.

Table 262. Comparison of suffix-W APIs to equivalent generic APIs

Generic APIs	Suffix-W APIs
SQLRETURN SQLBindFileToCol (SQLHSTMT hstmt, SQLUSMALLINT icol, SQLCHAR *FileName, SQLSMALLINT *FileNameLength, SQLUINTEGER *FileOptions, SQLSMALLINT MaxFileNameLength, SQLINTEGER *StringLength, SQLINTEGER *IndicatorValue);	SQLRETURN SQLBindFileToColW (SQLHSTMT hstmt, SQLUSMALLINT icol, SQLWCHAR *FileName, SQLSMALLINT *FileNameLength, SQLUINTEGER *FileOptions, SQLSMALLINT MaxFileNameLength, SQLINTEGER *StringLength, SQLINTEGER *IndicatorValue);
SQLRETURN SQLBindFileToParam (SQLHSTMT hstmt, SQLUSMALLINT TargetType, SQLSMALLINT DataType, SQLCHAR *FileName, SQLSMALLINT *FileNameLength, SQLUINTEGER *FileOptions, SQLSMALLINT MaxFileNameLength, SQLINTEGER *IndicatorValue);	SQLRETURN SQLBindFileToParamW (SQLHSTMT hstmt, SQLUSMALLINT TargetType, SQLSMALLINT DataType, SQLWCHAR *FileName, SQLSMALLINT *FileNameLength, SQLUINTEGER *FileOptions, SQLSMALLINT MaxFileNameLength, SQLINTEGER *IndicatorValue);
SQLRETURN SQLColAttributes (SQLHSTMT hstmt, SQLUSMALLINT icol, SQLUSMALLINT fDescType, SQLPOINTER rgbDesc, SQLSMALLINT cbDescMax, SQLSMALLINT *pcbDesc, SQLINTEGER *pfDesc);	SQLRETURN SQLColAttributesW (SQLHSTMT hstmt, SQLUSMALLINT icol, SQLUSMALLINT fDescType, SQLPOINTER rgbDesc, SQLSMALLINT cbDescMax, SQLSMALLINT *pcbDesc, SQLINTEGER *pfDesc);
SQLRETURN SQLColumns (SQLHSTMT hstmt SQLCHAR *szCatalogName, SQLSMALLINT cbCatalogName, SQLCHAR *szSchemaName, SQLSMALLINT cbSchemaName, SQLCHAR *szTableName, SQLSMALLINT cbTableName, SQLCHAR *szColumnsName, SQLSMALLINT cbColumnName);	SQLRETURN SQLColumnsW (SQLHSTMT hstmt SQLWCHAR *szCatalogName, SQLSMALLINT cbCatalogName, SQLWCHAR *szSchemaName, SQLSMALLINT cbSchemaName, SQLWCHAR *szTableName, SQLSMALLINT cbTableName, SQLWCHAR *szColumnsName, SQLSMALLINT cbColumnName);
SQLRETURN SQLColumnPrivileges (SQLHSTMT hstmt, SQLCHAR *szCatalogName, SQLSMALLINT cbCatalogName, SQLCHAR *szSchemaName, SQLSMALLINT cbSchemaName, SQLCHAR *szTableName, SQLSMALLINT cbTableName, SQLCHAR *szColumnsName, SQLSMALLINT cbColumnName);	SQLRETURN SQLColumnPrivilegesW (SQLHSTMT hstmt SQLWCHAR *szCatalogName, SQLSMALLINT cbCatalogName, SQLWCHAR *szSchemaName, SQLSMALLINT cbSchemaName, SQLWCHAR *szTableName, SQLSMALLINT cbTableName, SQLWCHAR *szColumnsName, SQLSMALLINT cbColumnName);

Table 262. Comparison of suffix-W APIs to equivalent generic APIs (continued)

Generic APIs	Suffix-W APIs
SQLRETURN SQLConnect (SQLRETURN SQLConnectW (
<pre>SQLHDBC hdbc, SQLCHAR *szDSN, SQLSMALLINT cbDSN, SQLCHAR *szUID, SQLSMALLINT cbUID, SQLCHAR *szAuthStr, SQLSMALLINT cbAuthStr);</pre>	<pre>SQLHDBC hdbc, SQLWCHAR *szDSN, SQLSMALLINT cbDSN, SQLWCHAR *szUID, SQLSMALLINT cbUID, SQLWCHAR *szAuthStr, SQLSMALLINT cbAuthStr);</pre>
SQLRETURN SQLDataSources (SQLRETURN SQLDataSourcesW (
<pre>SQLHENV henv, SQLUSMALLINT fDirection, SQLCHAR *szDSN, SQLSMALLINT cbDSNMax, SQLSMALLINT *pcbDSN, SQLCHAR *szDescription, SQLSMALLINT cbDescriptionMax, SQLSMALLINT *pcbDescription);</pre>	<pre>SQLHENV henv, SQLUSMALLINT fDirection, SQLWCHAR *szDSN, SQLSMALLINT cbDSNMax, SQLSMALLINT *pcbDSN, SQLWCHAR *szDescription, SQLSMALLINT cbDescriptionMax, SQLSMALLINT *pcbDescription);</pre>
SQLRETURN SQLDescribeCol (SQLRETURN SQLDescribeColW (
<pre>SQLHSTMT hstmt, SQLUSMALLINT icol, SQLCHAR *szColName, SQLSMALLINT cbColNameMax, SQLSMALLINT *pcbColName, SQLSMALLINT *pfSqlType, SQLINTEGER *pcbColDef, SQLSMALLINT *pibScale, SQLSMALLINT *pfNullable);</pre>	<pre>SQLHSTMT hstmt, SQLUSMALLINT icol, SQLWCHAR *szColName, SQLSMALLINT cbColNameMax, SQLSMALLINT *pcbColName, SQLSMALLINT *pfSqlType, SQLINTEGER *pcbColDef, SQLSMALLINT *pibScale, SQLSMALLINT *pfNullable);</pre>
SQLRETURN SQLDriverConnect (SQLRETURN SQLDriverConnectW (
<pre>SQLHDBC hdbc, SQLHWND hwnd, SQLCHAR *szConnStrIn, SQLSMALLINT cbConnStrIn, SQLCHAR *szConnStrOut, SQLSMALLINT cbConnStrOutMax, SQLSMALLINT pcbConnStrOut, SQLUSMALLINT fDriverCompletion);</pre>	<pre>SQLHDBC hdbc, SQLHWND hwnd, SQLWCHAR *szConnStrIn, SQLSMALLINT cbConnStrIn, SQLWCHAR *szConnStrOut, SQLSMALLINT cbConnStrOutMax, SQLSMALLINT pcbConnStrOut, SQLUSMALLINT fDriverCompletion);</pre>
SQLRETURN SQLError (SQLRETURN SQLErrorW (
<pre>SQLHENV henv, SQLHDBC hdbc, SQLHSTMT hstmt, SQLCHAR *szSqlState, SQLINTEGER *pfNativeError, SQLCHAR *szErrorMsg, SQLSMALLINT cbErrorMsgMax, SQLSMALLINT *pcbErrorMsg);</pre>	<pre>SQLHENV henv, SQLHDBC hdbc, SQLHSTMT hstmt, SQLWCHAR *szSqlState, SQLINTEGER *pfNativeError, SQLWCHAR *szErrorMsg, SQLSMALLINT cbErrorMsgMax, SQLSMALLINT *pcbErrorMsg);</pre>
SQLRETURN SQLExecDirect (SQLRETURN SQLExecDirectW (
<pre>SQLHSTMT hstmt, SQLCHAR *szSqlStr, SQLINTEGER cbSqlStr);</pre>	<pre>SQLHSTMT hstmt, SQLWCHAR *szSqlStr, SQLINTEGER cbSqlStr);</pre>

Table 262. Comparison of suffix-W APIs to equivalent generic APIs (continued)

Generic APIs	Suffix-W APIs
<p>SQLRETURN SQLForeignKeys (</p> <pre> SQLHSTMT hstmt, SQLCHAR *szPkCatalogName, SQLSMALLINT :cbPkCatalogName, SQLCHAR *szPkSchemaName, SQLSMALLINT :cbPkSchemaName, SQLCHAR *szPkTableName, SQLSMALLINT :cbPkTableName, SQLCHAR *szFkCatalogName, SQLSMALLINT :cbFkCatalogName, SQLCHAR *szFkSchemaName, SQLSMALLINT :cbFkSchemaName, SQLCHAR *szFkTableName, SQLSMALLINT :cbFkTableName); </pre>	<p>SQLRETURN SQLForeignKeysW (</p> <pre> SQLHSTMT hstmt, SQLWCHAR *szPKCatalogName, SQLSMALLINT :cbPkCatalogName, SQLWCHAR *szPkSchemaName, SQLSMALLINT :cbPkSchemaName, SQLWCHAR *szPkTableName, SQLSMALLINT :cbPkTableName, SQLWCHAR *szFkCatalogName, SQLSMALLINT :cbFkCatalogName, SQLWCHAR *szFkSchemaName, SQLSMALLINT :cbFkSchemaName, SQLWCHAR *szFkTableName, SQLSMALLINT :cbFkTableName); </pre>
<p>SQLRETURN SQLGetConnectOption (</p> <pre> SQLHDBC hdbc, SQLUSMALLINT fOption, SQLINTEGER pvParam); </pre>	<p>SQLRETURN SQLGetConnectOptionW (</p> <pre> SQLHDBC hdbc, SQLUSMALLINT fOption, SQLINTEGER pvParam); </pre>
<p>SQLRETURN SQLGetCursorName (</p> <pre> SQLHSTMT hstmt, SQLCHAR *szCursor, SQLSMALLINT cbCursorMax, SQLSMALLINT *pcbCursor); </pre>	<p>SQLRETURN SQLGetCursorNameW (</p> <pre> SQLHSTMT hstmt, SQLWCHAR *szCursor, SQLSMALLINT cbCursorMax, SQLSMALLINT *pcbCursor); </pre>
<p>SQLRETURN SQLGetDiagRec (</p> <pre> SQLSMALLINT HandleType, SQLHANDLE Handle, SQLSMALLINT RecNumber, SQLCHAR *SQLState, SQLINTEGER *NativeErrorPtr, SQLCHAR *MessageText, SQLSMALLINT BufferLength, SQLSMALLINT *TextLengthPtr); </pre>	<p>SQLRETURN SQLGetDiagRecW (</p> <pre> SQLSMALLINT HandleType, SQLHANDLE Handle, SQLSMALLINT RecNumber, SQLWCHAR *SQLState, SQLINTEGER *NativeErrorPtr, SQLWCHAR *MessageText, SQLSMALLINT BufferLength, SQLSMALLINT *TextLengthPtr); </pre>
<p>SQLRETURN SQLGetInfo (</p> <pre> SQLHDBC hdbc, SQLUSMALLINT fInfoType, SQLPOINTER rgbInfoValue, SQLSMALLINT cbInfoValueMax, SQLSMALLINT *pcbInfoValue); </pre>	<p>SQLRETURN SQLGetInfoW (</p> <pre> SQLHDBC hdbc, SQLUSMALLINT fInfoType, SQLPOINTER rgbInfoValue, SQLSMALLINT cbInfoValueMax, SQLSMALLINT *pcbInfoValue); </pre>
<p>SQLRETURN SQLGetStmtOption (</p> <pre> SQLHSTMT hstmt, SQLUSMALLINT fOption, SQLPOINTER pvParam); </pre>	<p>SQLRETURN SQLGetStmtOptionW(</p> <pre> SQLHSTMT hstmt, SQLUSMALLINT fOption, SQLPOINTER pvParam); </pre>
<p>SQLRETURN SQLGetTypeInfo (</p> <pre> SQLHSTMT hstmt, SQLSMALLINT fSqlType); </pre>	<p>SQLRETURN SQLGetTypeInfoW (</p> <pre> SQLHSTMT hstmt, SQLSMALLINT fSqlType); </pre>

Table 262. Comparison of suffix-W APIs to equivalent generic APIs (continued)

Generic APIs	Suffix-W APIs
SQLRETURN SQLNativeSql (<pre> SQLHDBC hdbc, SQLCHAR *szSqlStrIn, SQLINTEGER cbSqlStrIn, SQLCHAR *szSqlStr, SQLINTEGER cbSqlStrMax, SQLINTEGER *pcbSqlStr); </pre>	SQLRETURN SQLNativeSqlW (<pre> SQLHDBC hdbc, SQLWCHAR *szSqlStrIn, SQLINTEGER cbSqlStrIn, SQLWCHAR *szSqlStr, SQLINTEGER cbSqlStrMax, SQLINTEGER *pcbSqlStr); </pre>
SQLRETURN SQLPrepare (<pre> SQLHSTMT hstmt, SQLCHAR *szSqlStr, SQLINTEGER cbSqlStr); </pre>	SQLRETURN SQLPrepareW (<pre> SQLHSTMT hstmt, SQLWCHAR *szSqlStr, SQLINTEGER cbSqlStr); </pre>
SQLRETURN SQLPrimaryKeys (<pre> SQLHSTMT hstmt, SQLCHAR *szCatalogName, SQLSMALLINT :cbCatalogName, SQLCHAR *szSchemaName, SQLSMALLINT :cbSchemaName, SQLCHAR *szTableName, SQLSMALLINT :cbTableName); </pre>	SQLRETURN SQLPrimaryKeysW (<pre> SQLHSTMT hstmt, SQLWCHAR *szCatalogName, SQLSMALLINT :cbCatalogName, SQLWCHAR *szSchemaName, SQLSMALLINT :cbSchemaName, SQLWCHAR *szTableName, SQLSMALLINT :cbTableName); </pre>
SQLRETURN SQLProcedureColumns (<pre> SQLHSTMT hstmt, SQLCHAR *szProcCatalog, SQLSMALLINT cbProcCatalog, SQLCHAR *szProcSchema, SQLSMALLINT cbProcSchema, SQLCHAR *szProcName, SQLSMALLINT cbProcName, SQLCHAR *szColumnName, SQLSMALLINT cbColumnName); </pre>	SQLRETURN SQLProcedureColumnsW (<pre> SQLHSTMT hstmt, SQLWCHAR *szProcCatalog, SQLSMALLINT cbProcCatalog, SQLWCHAR *szProcSchema, SQLSMALLINT cbProcSchema, SQLWCHAR *szProcName, SQLSMALLINT cbProcName, SQLWCHAR *szColumnName, SQLSMALLINT cbColumnName); </pre>
SQLRETURN SQLProcedures (<pre> SQLHSTMT hstmt, SQLCHAR *szProcCatalog, SQLSMALLINT cbProcCatalog, SQLCHAR *szProcSchema, SQLSMALLINT cbProcSchema, SQLCHAR *szProcName, SQLSMALLINT cbProcName); </pre>	SQLRETURN SQLProceduresW (<pre> SQLHSTMT hstmt, SQLWCHAR *szProcCatalog, SQLSMALLINT cbProcCatalog, SQLWCHAR *szProcSchema, SQLSMALLINT cbProcSchema, SQLWCHAR *szProcName, SQLSMALLINT cbProcName); </pre>
SQLRETURN SQLSetConnectOption (<pre> SQLHDBC hdbc, SQLUSMALLINT fOption, SQLPOINTER pvParam); </pre>	SQLRETURN SQLSetConnectOptionW (<pre> SQLHDBC hdbc, SQLUSMALLINT fOption, SQLPOINTER pvParam); </pre>
SQLRETURN SQLSetCursorName (<pre> SQLHSTMT hstmt, SQLCHAR *szCursor, SQLSMALLINT cbCursor); </pre>	SQLRETURN SQLSetCursorNameW (<pre> SQLHSTMT hstmt, SQLWCHAR *szCursor, SQLSMALLINT cbCursor); </pre>
SQLRETURN SQLSetStmtOption (<pre> SQLHSTMT hstmt, SQLUSMALLINT fOption, SQLINTEGER pvParam); </pre>	SQLRETURN SQLSetStmtOptionW (<pre> SQLHSTMT hstmt, SQLUSMALLINT fOption, SQLINTEGER pvParam); </pre>

Table 262. Comparison of suffix-W APIs to equivalent generic APIs (continued)

Generic APIs	Suffix-W APIs
SQLRETURN SQLSpecialColumns (<pre> SQLHSTMT hstmt SQLUSMALLINT fColType, SQLCHAR *szCatalogName, SQLSMALLINT cbCatalogName, SQLCHAR *szSchemaName, SQLSMALLINT cbSchemaName, SQLCHAR *szTableName, SQLSMALLINT cbTableName, SQLUSMALLINT fScope, SQLUSMALLINT fNullable); </pre>	SQLRETURN SQLSpecialColumnsW (<pre> SQLHSTMT hstmt SQLUSMALLINT fColType, SQLWCHAR *szCatalogName, SQLSMALLINT cbCatalogName, SQLWCHAR *szSchemaName, SQLSMALLINT cbSchemaName, SQLWCHAR *szTableName, SQLSMALLINT cbTableName, SQLUSMALLINT fScope, SQLUSMALLINT fNullable); </pre>
SQLRETURN SQLStatistics(<pre> SQLHSTMT hstmt SQLCHAR *szCatalogName, SQLSMALLINT cbCatalogName, SQLCHAR *szSchemaName, SQLSMALLINT cbSchemaName, SQLCHAR *szTableName, SQLSMALLINT cbTableName, SQLUSMALLINT fUnique, SQLUSMALLINT fAccuracy); </pre>	SQLRETURN SQLStatisticsW (<pre> SQLHSTMT hstmt SQLWCHAR *szCatalogName, SQLSMALLINT cbCatalogName, SQLWCHAR *szSchemaName, SQLSMALLINT cbSchemaName, SQLWCHAR *szTableName, SQLSMALLINT cbTableName, SQLUSMALLINT fUnique, SQLUSMALLINT fAccuracy); </pre>
SQLRETURN SQLTablePrivileges (<pre> SQLHSTMT hstmt SQLCHAR *szCatalogName, SQLSMALLINT cbCatalogName, SQLCHAR *szSchemaName, SQLSMALLINT cbSchemaName, SQLCHAR *szTableName, SQLSMALLINT cbTableName); </pre>	SQLRETURN SQLTablePrivilegesW (<pre> SQLHSTMT hstmt SQLWCHAR *szCatalogName, SQLSMALLINT cbCatalogName, SQLWCHAR *szSchemaName, SQLSMALLINT cbSchemaName, SQLWCHAR *szTableName, SQLSMALLINT cbTableName); </pre>
SQLRETURN SQLTables (<pre> SQLHSTMT hstmt SQLCHAR *szCatalogName, SQLSMALLINT cbCatalogName, SQLCHAR *szSchemaName, SQLSMALLINT cbSchemaName, SQLCHAR *szTableName, SQLSMALLINT cbTableName, SQLCHAR *szTableType, SQLSMALLINT cbTableType); </pre>	SQLRETURN SQLTablesW (<pre> SQLHSTMT hstmt SQLWCHAR *szCatalogName, SQLSMALLINT cbCatalogName, SQLWCHAR *szSchemaName, SQLSMALLINT cbSchemaName, SQLWCHAR *szTableName, SQLSMALLINT cbTableName, SQLWCHAR *szTableType, SQLSMALLINT cbTableType); </pre>

Examples of handling the application encoding scheme

You can use the application encoding scheme to bind a UCS-2 result set column, bind UTF-8 data to parameter markers, retrieve UTF-8 data into application variables. The application encoding scheme also allows you to use suffix-W APIs. To perform these tasks, you must declare variables, specifying data types appropriately for a particular encoding scheme.

Example of binding result set columns to retrieve UCS-2 data

You can use `SQLBindCol()` to bind the first column of a result set to a Unicode UCS-2 application buffer. The following code shows such an example.

```

/* Declare variable to bind Unicode UCS-2 data */
SQLWCHAR UCSWSTR [50];
/* Assume CURRENTAPPENSCH=UNICODE is set */
SQLBindCol( (SQLHSTMT) hstmt,
            (SQLUSMALLINT) 1,
            (SQLSMALLINT) SQL_C_WCHAR,

```

```
(SQLPOINTER) UCSWSTR,
(SQLINTEGER) sizeof(UCSWSTR),
(SQLINTEGER*)&LEN_UCSWSTR);
```

Example of binding UTF-8 data to parameter markers

You can use `SQLBindParameter()` to bind application variables that contain UTF-8 data to `INTEGER`, `CHAR`, and `GRAPHIC` parameter markers.

The following example shows how `SQLBindParameter()` binds three input application variables containing UTF-8 to the parameter markers.

```
/* Declare variables for Unicode UTF-8 data */
SQLCHAR    HV1INT    [50];
SQLCHAR    HV1CHAR   [50];
SQLCHAR    HV1GRAPHIC[50];
SQLINTEGER  LEN_HV1INT;
SQLINTEGER  LEN_HV1CHAR;
SQLINTEGER  LEN_HV1GRAPHIC;
...
/* Assume CURRENTAPPENSCH=UNICODE is set */
/* Bind to DB2 INTEGER */
SQLBindParameter( (SQLHSTMT)    hstmt,
                  (SQLUSMALLINT) 1,
                  (SQLSMALLINT)  SQL_PARAM_INPUT,
                  (SQLSMALLINT)  SQL_C_CHAR,
                  (SQLSMALLINT)  SQL_INTEGER,
                  (SQLINTEGER)    0,
                  (SQLSMALLINT)  0,
                  (SQLPOINTER)   HV1INT,
                  (SQLINTEGER)   sizeof(HV1INT),
                  (SQLINTEGER *) &LEN_HV1INT ),

/* Bind to DB2 CHAR(10) */
SQLBindParameter( (SQLHSTMT)    hstmt,
                  (SQLUSMALLINT) 2,
                  (SQLSMALLINT)  SQL_PARAM_INPUT,
                  (SQLSMALLINT)  SQL_C_CHAR,
                  (SQLSMALLINT)  SQL_CHAR,
                  (SQLINTEGER)    10,
                  (SQLSMALLINT)  0,
                  (SQLPOINTER)   HV1CHAR,
                  (SQLINTEGER)   sizeof(HV1CHAR),
                  (SQLINTEGER *) &LEN_HV1CHAR ),

/* Bind to DB2 GRAPHIC(20) */
SQLBindParameter( (SQLHSTMT)    hstmt,
                  (SQLUSMALLINT) 3,
                  (SQLSMALLINT)  SQL_PARAM_INPUT,
                  (SQLSMALLINT)  SQL_C_CHAR,
                  (SQLSMALLINT)  SQL_GRAPHIC,
                  (SQLINTEGER)    20,
                  (SQLSMALLINT)  0,
                  (SQLPOINTER)   HV1GRAPHIC,
                  (SQLINTEGER)   sizeof(HV1GRAPHIC),
                  (SQLINTEGER *) &LEN_HV1GRAPHIC );
```

Figure 63. An application that binds application variables to parameter markers

Example of retrieving UTF-8 data into application variables

You can use `SQLGetData()` to retrieve UTF-8 data from columns in the current row of a result set.

The following example shows how `SQLGetData()` can retrieve UTF-8 data from three columns (`DECIMAL`, `VARCHAR`, and `VARGRAPHIC`) in the current row of the result set.

```

/* Declare variables for Unicode UTF-8 data */
SQLCHAR      HV1DECIMAL   [50];
SQLCHAR      HV1VARIABLE  [100];
SQLCHAR      HV1VARIABLE  [200];
SQLINTEGER   LEN_HV1DECIMAL;
SQLINTEGER   LEN_HV1VARIABLE;
SQLINTEGER   LEN_HV1VARIABLE;
...
/* Assume CURRENTAPPENSCH=UNICODE is set */
/* Bind DECIMAL(10,2) column */
SQLGetData( (SQLHSTMT)  hstmt,
            (SQLSMALLINT) 1,
            (SQLSMALLINT) SQL_C_CHAR,
            (SQLPOINTER)  HV1DECIMAL,
            (SQLINTEGER)   sizeof(HV1DECIMAL),
            (SQLINTEGER *) &LEN_HV1DECIMAL ),
/* Bind VARCHAR(20) column */
SQLGetData( (SQLHSTMT)  hstmt,
            (SQLSMALLINT) 2,
            (SQLSMALLINT) SQL_C_CHAR,
            (SQLPOINTER)  HV1VARIABLE,
            (SQLINTEGER)   sizeof(HV1VARIABLE),
            (SQLINTEGER *) &LEN_HV1VARIABLE ),
/* Bind VARCHAR(30) column */
SQLGetData( (SQLHSTMT)  hstmt,
            (SQLSMALLINT) 3,
            (SQLSMALLINT) SQL_C_CHAR,
            (SQLPOINTER)  HV1VARIABLE,
            (SQLINTEGER)   sizeof(HV1VARIABLE),
            (SQLINTEGER *) &LEN_HV1VARIABLE );

```

Figure 64. An application that retrieves result set data into application variables

Example of using suffix-W APIs

You can use suffix-W APIs to handle application encoding schemes.

The following example shows an example ODBC application that uses three suffix-W APIs to handle a Unicode UCS-2 application encoding scheme.

```

/*****
/* Main program
/* - CREATE MYTABLE
/* - INSERT INTO MYTABLE using literals
/* - INSERT INTO MYTABLE using parameter markers
/* - SELECT FROM MYTABLE with WHERE clause
/*
/* suffix-W APIs used:
/* - SQLConnectW
/* - SQLPrepareW
/* - SQLExecDirectW
*****/
#include <stdio.h>
#include <string.h>
#include <stdlib.h>
#include <wstr.h>
#include "sqlcli1.h"
#include <stlca.h>
#include <errno.h>
#include <sys/_messag.h>
#pragma convlit(suspend)
SQLHENV      henv = SQL_NULL_HENV;
SQLHDBC      hdbc = SQL_NULL_HDBC;
SQLHSTMT     hstmt = SQL_NULL_HSTMT;
SQLRETURN    rc = SQL_SUCCESS;
SQLINTEGER   id;
SQLSMALLINT  scale;
SQLCHAR      server[18]
SQLCHAR      uid[30]
SQLCHAR      pwd[30]
SQLSMALLINT  pcpair=0;
SQLSMALLINT  pccol=0;
SQLCHAR      sqlstmt[200]
SQLINTEGER   sqlstmtlen;
SQLWCHAR     H1INT4 [50]
SQLWCHAR     H1SMINT [50]
SQLWCHAR     H1CHR10 [50]
SQLWCHAR     H1CHR10MIX [50]

```

```

SQLWCHAR      H1VCHR20      [50]
SQLWCHAR      H1VCHR20MIX [50]
SQLWCHAR      H1GRA10     [50]
SQLWCHAR      H1VGRA20    [50]
SQLWCHAR      H1TTIME     [50]
SQLWCHAR      H1DDATE     [50]
SQLWCHAR      H1TSTMP     [50]
SQLWCHAR      H2INT4      [50]
SQLWCHAR      H2SMINT     [50]
SQLWCHAR      H2CHR10     [50]
SQLWCHAR      H2CHR10MIX  [50]
SQLWCHAR      H2VCHR20    [50]
SQLWCHAR      H2VCHR20MIX [50]
SQLWCHAR      H2GRA10     [50]
SQLWCHAR      H2VGRA20    [50]
SQLWCHAR      H2TTIME     [50]
SQLWCHAR      H2DDATE     [50]
SQLWCHAR      H2TSTMP     [50]
SQLINTEGER    LEN_H1INT4;
SQLINTEGER    LEN_H1SMINT;
SQLINTEGER    LEN_H1CHR10;
SQLINTEGER    LEN_H1CHR10MIX;
SQLINTEGER    LEN_H1VCHR20;
SQLINTEGER    LEN_H1VCHR20MIX;
SQLINTEGER    LEN_H1GRA10;
SQLINTEGER    LEN_H1VGRA20;
SQLINTEGER    LEN_H1TTIME;
SQLINTEGER    LEN_H1DDATE;
SQLINTEGER    LEN_H1TSTMP;
SQLINTEGER    LEN_H2INT4;
SQLINTEGER    LEN_H2SMINT;
SQLINTEGER    LEN_H2CHR10;
SQLINTEGER    LEN_H2CHR10MIX;
SQLINTEGER    LEN_H2VCHR20;
SQLINTEGER    LEN_H2VCHR20MIX;
SQLINTEGER    LEN_H2GRA10;
SQLINTEGER    LEN_H2VGRA20;
SQLINTEGER    LEN_H2TTIME;
SQLINTEGER    LEN_H2DDATE;
SQLINTEGER    LEN_H2TSTMP;
SQLWCHAR      DROPW1      [100]
SQLWCHAR      DELETEW1    [100]
SQLWCHAR      SELECTW1    [100]
SQLWCHAR      CREATEW1    [500]
SQLWCHAR      INSERTW1    [500]
SQLWCHAR      DROPW2      [100]
SQLWCHAR      DELETEW2    [100]
SQLWCHAR      SELECTW2    [100]
SQLWCHAR      CREATEW2    [500]
SQLWCHAR      INSERTW2    [500]
SQLINTEGER    LEN_H1INT4;
SQLINTEGER    LEN_DROPW1;
SQLINTEGER    LEN_DELETEW1;
SQLINTEGER    LEN_INSERTW1;
SQLINTEGER    LEN_CREATEW1;
SQLINTEGER    LEN_SELECTW1;
SQLINTEGER    LEN_DROPW2;
SQLINTEGER    LEN_DELETEW2;
SQLINTEGER    LEN_INSERTW2;
SQLINTEGER    LEN_CREATEW2;
SQLINTEGER    LEN_SELECTW2;
struct {
    short LEN;
    char DATA&lbracket;200&rbracket;; } STMTSQL;
long          SPCODE;
int           result;
int           ix, locix;
/*****
int main()
{
    henv=0;
    rc=SQLAllocHandle(SQL_HANDLE_ENV, SQL_NULL_HANDLE, &henv);
    if( rc != SQL_SUCCESS ) goto dbererror;
    hdbc=0;
    rc=SQLAllocHandle(SQL_HANDLE_DBC, henv, &hdbc);
    if( rc != SQL_SUCCESS ) goto dbererror;
    /*****
    /* Setup application host variables (UCS-2 character strings) */
    /*****
#pragma convlit(resume)
    wcscpy(uid, (wchar_t *)"jgold");
    wcscpy(pwd, (wchar_t *)"general");

```

```

wscpy(server, (wchar_t *)"STLEC1");
wscpy(DROPW1, (wchar_t *)
"DROP TABLE MYTABLE");
LEN_DROPW1=wcslen((wchar_t *)DROPW1);
wscpy(SELECTW1, (wchar_t *)
"SELECT * FROM MYTABLE WHERE INT4=200");
LEN_SELECTW1=wcslen((wchar_t *)SELECTW1);
wscpy(CREATEW1, (wchar_t *)
"CREATE TABLE MYTABLE ( ");
wscat(CREATEW1, (wchar_t *)
"INT4 INTEGER, SMINT SMALLINT, ");
wscat(CREATEW1, (wchar_t *)
"CHR10 CHAR(10), CHR10MIX CHAR(10) FOR MIXED DATA, ");
wscat(CREATEW1, (wchar_t *)
"VCHR20 VARCHAR(20), VCHR20MIX VARCHAR(20) FOR MIXED DATA, ");
wscat(CREATEW1, (wchar_t *)
"GRA10 GRAPHIC(10), VGRA20 VARGRAPHIC(20), ");
wscat(CREATEW1, (wchar_t *)
"TTIME TIME, DDATE DATE, TSTMP TIMESTAMP )" );
LEN_CREATEW1=wcslen((wchar_t *)CREATEW1);
wscpy(DELETEW1, (wchar_t *)
"DELETE FROM MYTABLE WHERE INT4 IS NULL OR INT4 IS NOT NULL");
LEN_DELETEW1=wcslen((wchar_t *)DELETEW1);
wscpy(INSERTW1, (wchar_t *)
"INSERT INTO MYTABLE VALUES ( ");
wscat(INSERTW1, (wchar_t *)
"( 100,1,'CHAR10','CHAR10MIX','VARCHAR20','VARCHAR20MIX', ");
wscat(INSERTW1, (wchar_t *)
"G' A B C', VARGRAPHIC('ABC'), ");
wscat(INSERTW1, (wchar_t *)
"3:45 PM', '06/12/1999', ");
wscat(INSERTW1, (wchar_t *)
"1999-09-09-09.09.090909' )" );
LEN_INSERTW1=wcslen((wchar_t *)INSERTW1);
wscpy(INSERTW2, (wchar_t *)
"INSERT INTO MYTABLE VALUES (?,?,?,?,?,?,?,?,?)");
LEN_INSERTW2=wcslen((wchar_t *)INSERTW2);
wscpy(H1INT4, (wchar_t *)"200");
wscpy(H1SMINT, (wchar_t *)"5");
wscpy(H1CHR10, (wchar_t *)"CHAR10");
wscpy(H1CHR10MIX, (wchar_t *)"CHAR10MIX");
wscpy(H1VCHR20, (wchar_t *)"VARCHAR20");
wscpy(H1VCHR20MIX, (wchar_t *)"VARCHAR20MIX");
wscpy(H1TTIME, (wchar_t *)"3:45 PM");
wscpy(H1DDATE, (wchar_t *)"06/12/1999");
wscpy(H1TSTMP, (wchar_t *)"1999-09-09-09.09.090909");
#pragma convlit(suspend)
/* 0xFF21,0xFF22,0xFF23,0x0000 */
wscpy(H1GRA10, (wchar_t *)" ");
/* 0x0041,0xFF21,0x0000 */
wscpy(H1VGRA20, (wchar_t *)" ");
LEN_H1INT4 = SQL_NTS;
LEN_H1SMINT = SQL_NTS;
LEN_H1CHR10 = SQL_NTS;
LEN_H1CHR10MIX = SQL_NTS;
LEN_H1VCHR20 = SQL_NTS;
LEN_H1VCHR20MIX = SQL_NTS;
LEN_H1GRA10 = SQL_NTS;
LEN_H1VGRA20 = SQL_NTS;
LEN_H1TTIME = SQL_NTS;
LEN_H1DDATE = SQL_NTS;
LEN_H1TSTMP = SQL_NTS;
/*****
*/
/* SQLConnectW */
/*****
*/
rc=SQLConnectW(hdbc, NULL, 0, NULL, 0, NULL, 0);
if( rc != SQL_SUCCESS ) goto dberror;
/*****
*/
/* DROP TABLE - SQLExecuteDirectW */
/*****
*/
hstmt=0;
rc=SQLAllocHandle(SQL_HANDLE_STMT, hdbc, &hstmt);
if( rc != SQL_SUCCESS ) goto dberror;
rc=SQLExecDirectW(hstmt,DROPW1,SQL_NTS);
if( rc != SQL_SUCCESS ) goto dberror;
rc=SQLEndTran(SQL_HANDLE_DBC, hdbc, SQL_COMMIT);
if( rc != SQL_SUCCESS ) goto dberror;
rc=SQLFreeHandle(SQL_HANDLE_STMT, hstmt);
if( rc != SQL_SUCCESS ) goto dberror;
/*****
*/
/* CREATE TABLE MYTABLE - SQLPrepareW */
/*****
*/

```



```

hstmt=0;
rc=SQLAllocHandle(SQL_HANDLE_STMT, hdbc, &hstmt);
if( rc != SQL_SUCCESS ) goto dberror;
rc=SQLPrepareW(hstmt,CREATEW1,SQL_NTS);
if( rc != SQL_SUCCESS ) goto dberror;
rc=SQLExecute(hstmt);
if( rc != SQL_SUCCESS ) goto dberror;
rc=SQLEndTran(SQL_HANDLE_DBC, hdbc, SQL_COMMIT);
if( rc != SQL_SUCCESS ) goto dberror;
rc=SQLFreeHandle(SQL_HANDLE_STMT, hstmt);
if( rc != SQL_SUCCESS ) goto dberror;
/*****
/* INSERT INTO MYTABLE with literals - SQLExecDirectW */
*****/
hstmt=0;
rc=SQLAllocHandle(SQL_HANDLE_STMT, hdbc, &hstmt);
if( rc != SQL_SUCCESS ) goto dberror;
rc=SQLExecDirectW(hstmt,DROPW1,SQL_NTS);
if( rc != SQL_SUCCESS ) goto dberror;
rc=SQLEndTran(SQL_HANDLE_DBC, hdbc, SQL_COMMIT);
if( rc != SQL_SUCCESS ) goto dberror;
rc=SQLFreeHandle(SQL_HANDLE_STMT, hstmt);
if( rc != SQL_SUCCESS ) goto dberror;
/*****
/* INSERT INTO MYTABLE with parameter markers */
/* - SQLPrepareW */
/* - SQLBindParameter with SQL_C_WCHAR symbolic C data type */
*****/
hstmt=0;
rc=SQLAllocHandle(SQL_HANDLE_STMT, hdbc,
&hstmt);

if( rc != SQL_SUCCESS ) goto dberror;
/* INSERT INTO MYTABLE VALUES (?, ?, ?, ?, ?, ?, ?, ?, ?, ?) */
rc=SQLPrepareW(hstmt,INSERTW2,SQL_NTS);
if( rc != SQL_SUCCESS ) goto dberror;
rc=SQLNumParams(hstmt, &pcpar);
if( rc != SQL_SUCCESS ) goto dberror;
printf("\nAPDV1                               number= 19");
if( pcpar != 11 ) goto dberror;
/* Bind INTEGER parameter */
rc = SQLBindParameter(hstmt,
                        1,
                        SQL_PARAM_INPUT,
                        SQL_C_WCHAR,
                        SQL_INTEGER,
                        10,
                        0,
                        (SQLPOINTER)H1INT4,
                        sizeof(H1INT4),
                        (SQLINTEGER *)&LEN_H1INT4 );
),
if( rc != SQL_SUCCESS ) goto dberror;
/* Bind SMALLINT parameter */
rc = SQLBindParameter(hstmt,
                        2,
                        SQL_PARAM_INPUT,
                        SQL_C_WCHAR,
                        SQL_SMALLINT,
                        5,
                        0,
                        (SQLPOINTER)H1SMINT,
                        sizeof(H1SMINT),
                        (SQLINTEGER *)&LEN_H1SMINT);
if( rc != SQL_SUCCESS ) goto dberror;
/* Bind CHAR(10) parameter */
rc = SQLBindParameter(hstmt,
                        3,
                        SQL_PARAM_INPUT,
                        SQL_C_WCHAR,
                        SQL_CHAR,
                        10,
                        0,
                        (SQLPOINTER)H1CHR10,
                        sizeof(H1CHR10),
                        (SQLINTEGER *)&LEN_H1CHR10);
if( rc != SQL_SUCCESS ) goto dberror;
/* Bind CHAR(10) parameter */
rc = SQLBindParameter(hstmt,
                        3,
                        SQL_PARAM_INPUT,
                        SQL_C_WCHAR,
                        SQL_CHAR,

```

```

        10,
        0,
        (SQLPOINTER)H1CHR10,
        sizeof(H1CHR10),
        (SQLINTEGER *)&LEN_H1CHR10);
if( rc != SQL_SUCCESS ) goto dberror;
/* Bind CHAR(10) FOR MIXED parameter */
rc = SQLBindParameter(hstmt,
        4,
        SQL_PARAM_INPUT,
        SQL_C_WCHAR,
        SQL_CHAR,
        10,
        0,
        (SQLPOINTER)H1CHR10MIX,
        sizeof(H1CHR10MIX),
        (SQLINTEGER *)&LEN_H1CHR10MIX);
if( rc != SQL_SUCCESS ) goto dberror;
/* Bind VARCHAR(20) parameter */
rc = SQLBindParameter(hstmt,
        5,
        SQL_PARAM_INPUT,
        SQL_C_WCHAR,
        SQL_VARCHAR,
        20,
        0,
        (SQLPOINTER)H1VCHR20,
        sizeof(H1VCHR20),
        (SQLINTEGER *)&LEN_H1VCHR20);
if( rc != SQL_SUCCESS ) goto dberror;
/* Bind VARCHAR(20) FOR MIXED parameter */
rc = SQLBindParameter(hstmt,
        6,
        SQL_PARAM_INPUT,
        SQL_C_WCHAR,
        SQL_VARCHAR,
        20,
        0,
        (SQLPOINTER)H1VCHR20MIX,
        sizeof(H1VCHR20MIX),
        (SQLINTEGER *)&LEN_H1VCHR20MIX);
if( rc != SQL_SUCCESS ) goto dberror;
/* Bind GRAPHIC(10) parameter */
rc = SQLBindParameter(hstmt,
        7,
        SQL_PARAM_INPUT,
        SQL_C_WCHAR,
        SQL_GRAPHIC,
        10,
        0,
        (SQLPOINTER)H1GRA10,
        sizeof(H1GRA10),
        (SQLINTEGER *)&LEN_H1GRA10);
if( rc != SQL_SUCCESS ) goto dberror;
/* Bind VARGRAPHIC(20) parameter */
rc = SQLBindParameter(hstmt,
        8,
        SQL_PARAM_INPUT,
        SQL_C_WCHAR,
        SQL_VARGRAPHIC,
        20,
        0,
        (SQLPOINTER)H1VGRA20,
        sizeof(H1VGRA20),
        (SQLINTEGER *)&LEN_H1VGRA20);
if( rc != SQL_SUCCESS ) goto dberror;
/* Bind TIME parameter */
rc= SQLBindParameter(hstmt,
        9,
        SQL_PARAM_INPUT,
        SQL_C_WCHAR,
        SQL_TIME,
        8,
        0,
        (SQLPOINTER)H1TTIME,
        sizeof(H1TTIME),
        (SQLINTEGER *)&LEN_H1TTIME);
if( rc != SQL_SUCCESS ) goto dberror;
/* Bind DATE parameter */
rc = SQLBindParameter(hstmt,
        10,
        SQL_PARAM_INPUT,

```

```

        SQL_C_WCHAR,
        SQL_DATE,
        10,
        0,
        (SQLPOINTER)H1DDATE,
        sizeof(H1DDATE),
        (SQLINTEGER *)&LEN_H1DDATE);
if( rc != SQL_SUCCESS ) goto dberror;
/* Bind TIMESTAMP parameter */
rc = SQLBindParameter(hstmt,
    11
    SQL_PARAM_INPUT,
    SQL_C_WCHAR,
    SQL_DATE,
    26,
    0,
    (SQLPOINTER)H1TSTMP,
    sizeof(H1TSTMP),
    (SQLINTEGER *)&LEN_H1TSTMP);
if( rc != SQL_SUCCESS ) goto dberror;
printf("\nAPDV1 SQLExecute          number= 25");
rc=SQLExecute(hstmt);
if( rc != SQL_SUCCESS ) goto dberror;
printf("\nAPDV1 SQLEndTran          number=26");
rc=SQLEndTran(SQL_HANDLE_DBC, hdbc, SQL_COMMIT);
if( rc != SQL_SUCCESS ) goto dberror;
printf("\nAPDV1 SQLFreeHandle(SQL_HANDLE_STMT, ...) number= 27");
rc=SQLFreeHandle(SQL_HANDLE_STMT, hstmt);
if( rc != SQL_SUCCESS ) goto dberror;
/*****
/* SELECT FROM MYTABLE WHERE INT4=200
/* - SQLBindCol with SQL_C_WCHAR symbolic C data type
/* - SQLExecDirectW
*****/
hstmt=0;
rc=SQLAllocHandle(SQL_HANDLE_STMT, hdbc, &hstmt);
if( rc != SQL_SUCCESS ) goto dberror;
/* Bind INTEGER column */
rc = SQLBindCol(hstmt,
    1,
    SQL_C_WCHAR,
    (SQLPOINTER)H2INT4,
    sizeof(H2INT4 ),
    (SQLINTEGER *)&LEN_H2INT4 );
if( rc != SQL_SUCCESS ) goto dberror;
/* Bind SMALLINT column */
rc = SQLBindCol(hstmt,
    2,
    SQL_C_WCHAR,
    (SQLPOINTER)H2SMINT,
    sizeof(H2SMINT),
    (SQLINTEGER *)&LEN_H2SMINT);
if( rc != SQL_SUCCESS ) goto dberror;
/* Bind CHAR(10) column */
rc = SQLBindCol(hstmt,
    3,
    SQL_C_WCHAR,
    (SQLPOINTER)H2CHR10,
    sizeof(H2CHR10),
    (SQLINTEGER *)&LEN_H2CHR10);
if( rc != SQL_SUCCESS ) goto dberror;
/* Bind CHAR(10) FOR MIXED column */
rc = SQLBindCol(hstmt,
    4,
    SQL_C_WCHAR,
    (SQLPOINTER)H2CHR10MIX,
    sizeof(H2CHR10MIX),
    (SQLINTEGER *)&LEN_H2CHR10MIX);
if( rc != SQL_SUCCESS ) goto dberror;
/* Bind VARCHAR(20) column */
rc = SQLBindCol(hstmt,
    5,
    SQL_C_WCHAR,
    (SQLPOINTER)H2VCHR20,
    sizeof(H2VCHR20,
    (SQLINTEGER *)&LEN_H2VCHR20);
if( rc != SQL_SUCCESS ) goto dberror;
/* Bind VARCHAR(20) FOR MIXED column */
rc = SQLBindCol(hstmt,
    6,
    SQL_C_WCHAR,
    (SQLPOINTER)H2VCHR20MIX,

```

```

        sizeof(H2VCHR20MIX),
        (SQLINTEGER *)&LEN_H2VCHR20MIX);
if( rc != SQL_SUCCESS ) goto dberror;
/* Bind GRAPHIC(10) column */
rc = SQLBindCol(hstmt,
    7,
    SQL_C_WCHAR,
    (SQLPOINTER)H2GRA10,
    sizeof(H2GRA10),
    (SQLINTEGER *)&LEN_H2GRA10);
if( rc != SQL_SUCCESS ) goto dberror;
/* Bind VARGRAPHIC(20) column */
rc = SQLBindCol(hstmt,
    8,
    SQL_C_WCHAR,
    (SQLPOINTER)H2VGRA20,
    sizeof(H2VGRA20),
    (SQLINTEGER *)&LEN_H2VGRA20);
if( rc != SQL_SUCCESS ) goto dberror;
/* Bind TIME column */
rc = SQLBindCol(hstmt,
    9,
    SQL_C_WCHAR,
    (SQLPOINTER)H2TTIME,
    sizeof(H2TTIME),
    (SQLINTEGER *)&LEN_H2TTIME);
if( rc != SQL_SUCCESS ) goto dberror;
/* Bind DATE column */
rc = SQLBindCol(hstmt,
    10,
    SQL_C_WCHAR,
    (SQLPOINTER)H2DDATE,
    sizeof(H2DDATE),
    (SQLINTEGER *)&LEN_H2DDATE);
if( rc != SQL_SUCCESS ) goto dberror;
/* Bind TIMESTAMP column */
rc = SQLBindCol(hstmt,
    11,
    SQL_C_WCHAR,
    (SQLPOINTER)H2TSTMP,
    sizeof(H2TSTMP),
    (SQLINTEGER *)&LEN_H2TSTMP);
if( rc != SQL_SUCCESS ) goto dberror;
/*
 * SELECT * FROM MYTABLE WHERE INT4=200
 */
rc=SQLExecDirectW(hstmt,SELECTW1,SQL_NTS);
if( rc != SQL_SUCCESS ) goto dberror;
rc=SQLFetch(hstmt);
if( rc != SQL_SUCCESS ) goto dberror;
rc=SQLFreeHandle(SQL_HANDLE_STMT, hstmt);
if( rc != SQL_SUCCESS ) goto dberror;
/*****
rc=SQLDisconnect(hdbc);
if( rc != SQL_SUCCESS ) goto dberror;
rc=SQLFreeHandle(SQL_HANDLE_DBC, hdbc);
if( rc != SQL_SUCCESS ) goto dberror;
rc=SQLFreeHandle(SQL_HANDLE_ENV, henv);
if( rc != SQL_SUCCESS ) goto dberror;
dberror:
rc = SQL_ERROR;
return(rc);
*/
} /*END MAIN*/

```

Figure 65. An application that uses suffix-W APIs

Embedded SQL and Db2 ODBC in the same program

You can combine embedded static SQL with Db2 ODBC to write a mixed application. For 64-bit applications, you cannot use embedded static SQL statements.

With a mixed application, you can take advantage of both the ease of use that Db2 ODBC functions provide and the performance enhancement that embedded SQL offers.

Important: To mix Db2 ODBC with embedded SQL, you must not enable Db2 ODBC support for multiple contexts. The initialization file for mixed applications must specify `MULTICONTEXT=0` or exclude `MULTICONTEXT` keyword.

To mix Db2 ODBC and embedded SQL in an application, you must limit how you combine these interfaces:

- Handle all connection management and transaction management with either Db2 ODBC or embedded SQL exclusively. You must perform all connections, commits, and rollbacks with the same interface.
- Use only one interface (Db2 ODBC or embedded SQL) for each query statement. For example, an application cannot open a cursor in an embedded SQL routine, and then call the Db2 ODBC `SQLFetch()` function to retrieve row data.

Because Db2 ODBC permits multiple connections, you must call `SQLSetConnection()` before you call a routine that is written in embedded SQL. `SQLSetConnection()` allows you to explicitly specify the connection on which you want the embedded SQL routine to run. If your application makes only a single connection, or if you write your application entirely in Db2 ODBC, you do not need to include a `SQLSetConnection()` call.

Tip: When you write a mixed application, divide this application into a main program that makes separate function calls. Structure the mixed application as a Db2 ODBC application that calls functions that are written with embedded SQL, or as an embedded SQL application that calls functions that are written with Db2 ODBC. With this kind of structure, you can perform transaction management separately in the main program, while you make query statements in individual functions written in a single interface. Functions that are written with Db2 ODBC must use null connections.

The following example shows an application that connects to two data sources and executes both embedded SQL and dynamic SQL using Db2 ODBC.

```

/* ... */
/* Allocate an environment handle */
SQLAllocHandle(SQL_HANDLE_ENV, SQL_NULL_HANDLE, &henv);
/* Connect to first data source */
DBconnect(henv, &hdbc[0]);
/* Connect to second data source */
DBconnect(henv, &hdbc[1]);
/***** Start processing step *****/
/* NOTE: at this point two connections are active */
/* Set current connection to the first database */
if ( (rc = SQLSetConnection(hdbc[0])) != SQL_SUCCESS )
    printf("Error setting connection 1\n");
/* Call function that contains embedded SQL */
if ((rc = Create_Tab() ) != 0)
    printf("Error Creating Table on 1st connection, RC=
/* Commit transaction on connection 1 */
SQLEndTran(SQL_HANDLE_DBC, hdbc[0], SQL_COMMIT);
/* set current connection to the second database */
if ( (rc = SQLSetConnection(hdbc[1])) != SQL_SUCCESS )
    printf("Error setting connection 2\n");
/* call function that contains embedded SQL */
if ((rc = Create_Tab() ) != 0)
    printf("Error Creating Table on 2nd connection, RC=
/* Commit transaction on connection 2 */
SQLEndTran(SQL_HANDLE_DBC, hdbc[1], SQL_COMMIT);
/* Pause to allow the existence of the tables to be verified. */
printf("Tables created, hit Return to continue\n");
getchar();
SQLSetConnection(hdbc[0]);
if (( rc = Drop_Tab() ) != 0)
    printf("Error dropping Table on 1st connection, RC=
/* Commit transaction on connection 1 */
SQLEndTran(SQL_HANDLE_DBC, hdbc[0], SQL_COMMIT);
SQLSetConnection(hdbc[1]);
if (( rc = Drop_Tab() ) != 0)
    printf("Error dropping Table on 2nd connection, RC=
/* Commit transaction on connection 2 */
SQLEndTran(SQL_HANDLE_DBC, hdbc[1], SQL_COMMIT);
printf("Tables dropped\n");
/***** End processing step *****/
/* ... */
/***** Embedded SQL functions *****/
** This would normally be a separate file to avoid having to
** keep precompiling the embedded file in order to compile the DB2 CLI
** section50
*****
EXEC SQL INCLUDE SQLCA;
int
Create_Tab( )
{

```

```

EXEC SQL CREATE TABLE mixedup
      (ID INTEGER, NAME CHAR(10));
return( SQLCODE);
}
int
Drop_Tab( )
{
  EXEC SQL DROP TABLE mixedup;
  return( SQLCODE);
}
/* ... */

```

Figure 66. An application that mixes embedded and dynamic SQL

Related concepts

[Rules for a Db2 ODBC stored procedure](#)

Db2 ODBC stored procedures are like other Db2 ODBC applications. However, several differences exist.

Vendor escape clauses

Vendor escape clauses increase the portability of your application if your application accesses multiple data sources from different vendors. However, if your application accesses only Db2 data sources, you have no reason to use vendor escape clauses.

The X/Open SQL CAE specification defines an *escape clause* as: “a syntactic mechanism for vendor-specific SQL extensions to be implemented in the framework of standardized SQL.” Both Db2 ODBC and ODBC support *vendor escape clauses* that conform to this X/Open specification.

Data sources are not necessarily consistent in how they implement SQL extensions. Use vendor escape clauses to implement common SQL extensions in a consistent, portable format.

Db2 ODBC translates the SQL extensions that ODBC defines to native Db2 SQL syntax. To display the Db2-specific syntax that results from this translation, call `SQLNativeSql()` on an SQL string that contains ODBC vendor escape clauses.

Related concepts

[ODBC-defined SQL extensions](#)

ODBC supports various SQL extensions that are not supported by X/Open.

Function for determining ODBC vendor escape clause support

Data sources do not necessarily support the same SQL extensions. The ODBC drivers for these data sources therefore might not support all ODBC vendor escape clauses.

To determine if a data source supports vendor escape clauses, call `SQLGetInfo()` with the *InfoType* argument set to `SQL_ODBC_SQL_CONFORMANCE`. If `SQLGetInfo()` returns a value of `SQL_OSC_EXTENDED`, that data source supports all ODBC vendor escape clauses.

For SQL extensions that ODBC does not define, you must use the SQL syntax that is specific to each particular data source. This SQL syntax might not be consistent among the data sources that your application uses.

Related concepts

[ODBC-defined SQL extensions](#)

ODBC supports various SQL extensions that are not supported by X/Open.

Escape clause syntax

Because ODBC vendor escape clauses are implemented identically across all products and vendors, ODBC defines a short-form escape clause that includes only the extended SQL text.

Db2 ODBC supports the following short-form escape clause:

```
{ extended SQL text }
```


ts

Indicates that *value* is a timestamp in the *yyyy-mm-dd hh:mm:ss[.fffffffffff]* format.

value

Specifies your user data.

Example: You can use either of the following forms of the escape clause to issue a query on the EMPLOYEE table. In this example, a vendor escape clause specifies the data for the predicate in each query.

- Short-form syntax:

```
SELECT * FROM EMPLOYEE WHERE HIREDATE={d '2004-03-29'}
```

- Long-form syntax:

```
SELECT * FROM EMPLOYEE
WHERE HIREDATE=--(*vendor(Microsoft),product(ODBC) d '2004-03-29' *)--
```

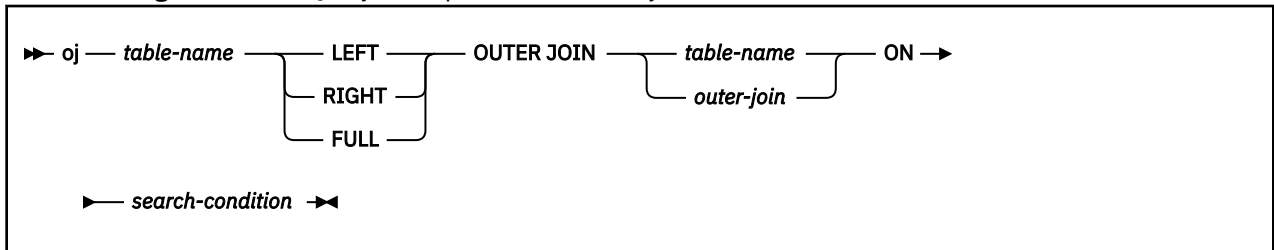
You can use the ODBC vendor escape clauses for date, time, and timestamp literals in input parameters with a C data type of SQL_C_CHAR.

To determine if a data source supports date, time, or timestamp data, call `SQLGetTypeInfo()`. If a data source supports any of these data types, the ODBC driver for that data source supports a corresponding vendor escape clause.

ODBC outer join syntax

In ODBC, you can use outer join syntax in a vendor escape clause to make outer joins portable in your SQL statements.

The following extended SQL syntax specifies an outer join.

**table-name**

Specifies the name of the table that you want to join.

LEFT

Performs a left outer join.

RIGHT

Performs a right outer join.

FULL

Performs a full outer join.

table-name

Specifies the name of the table that you want to join with the previous table.

outer-join

Specifies the result of an outer join that you want to join with the previous table. (Use the syntax above without the leading keyword `oj`.)

search-condition

Specifies the condition on which rows are joined.

Example: You can use either of the following forms of the escape clause to perform an outer join. In this example, a vendor escape clause specifies the outer join in each SQL statement.

- Short-form syntax:


```
SELECT * FROM {oj T1 LEFT OUTER JOIN T2 ON T1.C1=T2.C3}
WHERE T1.C2>20
```

- Long-form syntax:

```
SELECT * FROM
--(*vendor(Microsoft),product(ODBC) oj
T1 LEFT OUTER JOIN T2 ON T1.C1=T2.C3*)--
WHERE T1.C2>20
```

Important: Not all servers support outer join. To determine if the current server supports outer joins, call `SQLGetInfo()` twice, first with the `InfoType` argument set to `SQL_OUTER_JOINS`, and then with the `InfoType` argument set to `SQL_OJ_CAPABILITIES`.

LIKE predicate escape clause

In an SQL LIKE predicate, the percent metacharacter (%) matches a string of zero or more characters, and the underscore metacharacter (_) matches any single character. With the predicate escape clause, you can define patterns that contain the actual percent and underscore characters.

To specify that you want these characters to represent literal values, you precede them with an escape character. You define the LIKE predicate escape character with the following syntax in a vendor escape clause:

```
» escape — ' — escape-character — ' ❧
```

escape-character

Specifies any character that is supported by the Db2 rules and that governs the use of the ESCAPE clause.

Example: You can use either of the following forms of the escape clause to include metacharacters as literals in the LIKE predicate. In this example, both statements search for a string that ends with the percent character .

- Short-form syntax:

```
SELECT * FROM EMPLOYEE
WHERE COMMISSION LIKE {escape '!'} '%!%'
```

- Long-form syntax:

```
SELECT * FROM EMPLOYEE
WHERE COMMISSION LIKE --(*vendor(Microsoft),product(ODBC) escape '!')-- '%!%'
```

To determine if a particular data source supports LIKE predicate escape characters, call `SQLGetInfo()` with the `InfoType` argument set to `SQL_LIKE_ESCAPE_CLAUSE`.

Stored procedure CALL

In ODBC, you can use the extended SQL syntax for calling a stored procedure in a vendor escape clause to make stored procedure calls portable in your SQL statements.

The following extended SQL syntax calls a stored procedure.

```
» — call — procedure-name — ( — parameter — ) — ❧
```

?=

Specifies that you want Db2 ODBC to return the SQLCODE of the stored procedure call in the first parameter that you specify in `SQLBindParameter()`. If `?=` is not present, you can retrieve the SQLCA with `SQLGetSQLCA()`.

procedure-name

Specifies the name of a procedure that is stored at the data source.

parameter

Specifies a procedure parameter. A procedure can have zero or more parameters.

Important: Unlike ODBC, Db2 ODBC does not support literals as procedure arguments. You must use parameter markers to specify a procedure parameter.

Example: You can use either of the following forms of the escape clause to call a stored procedure. In this example, the statements call the procedure NETB94, which uses three parameters.

- Short-form syntax:

```
{CALL NETB94(?, ?, ?)}
```

- Long-form syntax:

```
--(*vendor(Microsoft),product(ODBC) CALL NETB94(?, ?, ?)*)--
```

To determine if a particular data source supports stored procedure calls, call `SQLGetInfo()` with the *InfoType* argument set to `SQL_PROCEDURES`.

Related concepts

[Stored procedures for ODBC applications](#)

You can design an application to run in two parts: one part on the client and one part on the server.

Stored procedures are server applications that run at the database, within the same transaction as a client application.

ODBC scalar functions

You can use SQL scalar functions on columns of result sets, or on columns that restrict rows of a result set.

Use this syntax in a vendor escape clause to make portable scalar function calls in your SQL statements.

```
► fn — scalar-function ◄
```

scalar-function

Specifies any string, date and time, and system functions.

Example: You can use either of the following forms of the escape clause to call a scalar function. Both statements in this example use a vendor escape clause in the select list of a query.

- Short-form syntax:

```
SELECT {fn CONCAT(FIRSTNAME, LASTNAME)} FROM EMPLOYEE
```

- Long-form syntax:

```
SELECT --(*vendor(Microsoft),product(ODBC) fn CONCAT(FIRSTNAME, LASTNAME) *)--  
FROM EMPLOYEE
```

To determine which scalar functions are supported by the current server that is referenced by a specific connection handle, call `SQLGetInfo()` with the *InfoType* argument set to each of the following values:

- `SQL_NUMERIC_FUNCTIONS`
- `SQL_STRING_FUNCTIONS`

- SQL_SYSTEM_FUNCTIONS
- SQL_TIMEDATE_FUNCTIONS

Related reference

Extended scalar functions

ODBC supports the use of extended scalar functions through vendor escape clauses. Each function can be called by using the escape clause syntax, or by calling the equivalent Db2 function.

Extended indicators in ODBC applications

ODBC applications can use extended indicators to update all columns in UPDATE, INSERT, and MERGE statements without specifying the current value of columns that do not require changes.

If you use extended indicators you do not need to code separate INSERT statements for every combination of columns that you want to insert. You can enable extended indicators by setting the EXTENDEDINDICATOR keyword in the ODBC initialization file, or with the SQL_ATTR_EXTENDED_INDICATORS connection attribute. When you execute `SQLBindParameter()`, you can set the *rgbValue* to null and the *pcbValue* to `SQL_DEFAULT_PARAM` or `SQL_UNASSIGNED`.

You can also use the ODBC array input interface to bind a parameter marker to an array of application variables instead of a single application variable. You are not required to call `SQLExecute()` repeatedly on the same INSERT, UPDATE, or MERGE statement.

ODBC programming hints and tips

When you program a Db2 ODBC application, you can avoid common problems, improve performance, reduce network flow, and maximize portability.

Guidelines for avoiding common problems

To avoid common problems in Db2 ODBC initialization files, large result sets, and distinct types, adhere to the ODBC guidelines.

Check the Db2 ODBC initialization file

You need to follow several guidelines to ensure that the Db2 ODBC initialization file is free from problems.

When you alter the Db2 ODBC initialization file, take the following actions:

- Check the coding of square brackets. The square brackets in the initialization file must consist of the correct EBCDIC characters. The open square bracket must use the hexadecimal characters X'AD'. The close square bracket must use the hexadecimal characters X'BD'. Db2 ODBC does not recognize brackets if you code them differently.
- Eliminate sequence numbers. Db2 ODBC does not accept sequence numbers in the initialization file. You must remove all sequence numbers.

Limit the number of rows that an application can fetch

If a result set is too large, it might cause problems for the application. You can follow guidelines to reduce errors.

To limit the number of rows that your application can fetch, set the `SQL_ATTR_MAX_ROWS` attribute with `SQLSetStmtAttr()`. You can use this attribute to ensure that a very large result set does not overwhelm your application. This kind of protection is especially important for applications that run on clients with limited memory resources.

Important: The server generates a full result set regardless of the `SQL_ATTR_MAX_ROWS` attribute value. Db2 ODBC limits only the fetch to `SQL_ATTR_MAX_ROWS`.

Cast parameter markers to distinct types or distinct types to source types

When you use a distinct-type parameter in the predicate of a query statement, you must use a CAST function. You can cast either the parameter marker to a distinct type, or you can cast the distinct type to a source type.

Example: Assume that you define the following distinct type and table:

```
CREATE DISTINCT TYPE CNUM AS INTEGER WITH COMPARISONS
```

```
CREATE TABLE CUSTOMER (  
    Cust_Num      CNUM NOT NULL,  
    First_Name    CHAR(30) NOT NULL,  
    Last_Name     CHAR(30) NOT NULL,  
    Phone_Num     CHAR(20) WITH DEFAULT,  
    PRIMARY KEY  (Cust_Num) )
```

Then you issue the following query statement:

```
SELECT first_name, last_name, phone_num FROM customer  
where cust_num = ?
```

This query fails because the comparison includes incompatible types; the parameter marker cannot be type CNUM.

To successfully execute the statement, issue a query that casts the parameter marker to the distinct type CNUM:

```
SELECT first_name, last_name, phone_num FROM customer  
where cust_num = cast( ? as cnum )
```

Alternatively, issue a query that casts the data type of the column to the source type INTEGER:

```
SELECT first_name, last_name, phone_num FROM customer  
where cast( cust_num as integer ) = ?
```

Related reference

[CAST specification \(Db2 SQL\)](#)

[PREPARE \(Db2 SQL\)](#)

Techniques for improving application performance

You can follow several techniques to improve your application performance.

To improve the performance of your Db2 ODBC applications, consider taking the following actions:

- Set isolation levels.
- Disable cursor hold behavior.
- Retrieve result sets efficiently.
- Limit the use of catalog functions.
- Use dynamic statement caching.
- Turn off statement scanning.

Set isolation levels for maximum concurrency and data consistency

Isolation levels determine the level of locking that is required to execute a statement and the level of concurrency that is possible in your application. You need to choose isolation levels for your application that maximize concurrency and that also ensure data consistency.

Set the minimum isolation level that is possible to maximize concurrency. You can set isolation levels by statement, by connection, or at the driver level:

- `SQLSetConnectAttr()` with the `SQL_ATTR_TXN_ISOLATION` attribute specified sets the isolation level at which all statements on a connection handle operate. This isolation level determines the level of concurrency that is possible, and the level of locking that is required to execute any statement on a connection handle.
- `SQLSetStmtAttr()` with the `SQL_ATTR_STMTTXN_ISOLATION` attribute sets the isolation level at which an individual statement handle operates. (Although you can set the isolation level on a statement handle, setting the isolation level on the connection handle is recommended.) This isolation level determines the level of concurrency that is possible, and the level of locking that is required to execute the statement.
- The `TXNISOLATION` initialization keyword sets the default isolation level for the Db2 ODBC driver.

Db2 ODBC uses resources that are associated with statement handles more efficiently if you set an appropriate isolation level, rather than leaving all statements at the default isolation level. This should be attempted only with a thorough understanding of the locking and isolation levels of the connected database server.

Related reference

[SQLSetConnectAttr\(\) - Set connection attributes](#)

`SQLSetConnectAttr()` sets attributes that govern aspects of connections.

[SQLSetStmtAttr\(\) - Set statement attributes](#)

`SQLSetStmtAttr()` sets attributes that are related to a statement. To set an attribute for all statements that are associated with a specific connection, an application can call `SQLSetConnectAttr()`.

[Db2 ODBC initialization keywords](#)

Db2 ODBC initialization keywords control the run time environment for Db2 ODBC applications.

[isolation-clause \(Db2 SQL\)](#)

Disable cursor hold behavior for more efficient resource use

Db2 ODBC can more efficiently use resources that are associated with statement handles if you disable cursor-hold behavior for statements that do not require it.

To disable cursor-hold behavior on a statement handle, call `SQLSetStmtAttr()` with the `SQL_ATTR_CURSOR_HOLD` attribute set to `SQL_CURSOR_HOLD_OFF`. You can also set the cursor-hold behavior for an entire data source through the initialization file.

The `SQL_ATTR_CURSOR_HOLD` statement attribute is the Db2 ODBC equivalent to the `CURSOR WITH HOLD` clause in SQL. Db2 ODBC cursors exhibit cursor-hold behavior by default.

Important: Many ODBC applications expect a default behavior in which the cursor position is maintained after a commit. Consider such applications before you disable any cursor-hold behavior.

Related reference

[Db2 ODBC initialization keywords](#)

Db2 ODBC initialization keywords control the run time environment for Db2 ODBC applications.

Code ODBC functions for efficient data retrieval

You can retrieve data more efficiently by following several guidelines.

Two actions make your application retrieve data sets more efficiently:

- Define the *pcbValue* and *rgbValue* arguments of `SQLBindCol()` or `SQLGetData()` contiguously in memory. (This allows Db2 ODBC to fetch both values with one copy operation.)

To define the *pcbValue* and *rgbValue* arguments contiguously in memory, create a structure that contains both values. For example, the following code creates such a structure:

```
struct {
    SQLINTEGER  pcbValue;
    SQLCHAR    rgbValue[MAX_BUFFER];
} column;
```

- Choose an appropriate function with which to retrieve results. Generally the most efficient approach is to bind application variables to result sets with `SQLBindCol()`. However, in some cases calling `SQLGetData()` to retrieve results is more efficient. When the data value is large and is variable-length, use `SQLGetData()` for the following situations:
 - You must retrieve the data in pieces.
 - You might not need to retrieve the data. (That is, retrieval is dependent on another application action.)

Limit the use of catalog functions

You can improve performance and reduce lock contention by limiting the use of catalog functions.

Limit the number of times that you call catalog functions in your application, limit the number of rows that the functions return, and close all open cursors on catalog result sets.

Call each catalog function once and store the information that the function returns in your application to reduce the number of catalog functions that you call.

Specify the following parameters to limit the number of rows that a catalog function returns:

- Schema name or pattern for all catalog functions
- Table name or pattern for all catalog functions other than `SQLTables()`
- Column name or pattern for catalog functions that return detailed column information

Close any open cursors (call the `SQLCloseCursor()` function) for statement handles that are used for catalog queries to release any locks against the catalog tables. Outstanding locks on the catalog tables can prevent CREATE, DROP, or ALTER statements from executing.

Important: Plan ahead. Although you might develop and test an application on a data source with hundreds of tables, the final application might need to run on a production database with thousands of tables.

Enabling dynamic SQL statement caching for ODBC function calls

To reduce the overhead for function calls, you can prepare a statement once and execute it repeatedly throughout the application.

About this task

Db2 servers cache prepared versions of dynamic SQL statements. This dynamic caching allows the Db2 server to reuse previously prepared statements.

Introductory concepts

[Submitting SQL statements to Db2 \(Introduction to Db2 for z/OS\)](#)

[Dynamic SQL applications \(Introduction to Db2 for z/OS\)](#)

Procedure

To take advantage of dynamic caching for ODBC function calls, take any of the following actions:

- Use the same statement handle to execute identical SQL statements, and free this handle only when you no longer need to execute that statement repeatedly.
For example, if your application routinely uses a set of 10 SQL statements, allocate 10 statement handles that are associated with each of those statements. Do not free these statement handles until you can no longer execute the statements that are associated with them.
You can roll back and commit the transaction without affecting prepared statements. Your application can continue to prepare and execute the statements in a normal manner. The Db2 server determines if a prepare is actually needed.

- Set the LITERALREPLACEMENT property to 1 so that Db2 can share a cache entry for dynamic statements that are identical except for the literal constants and also meet the other standard criteria for sharing a cached entry.

This sharing of the dynamic cache entry might improve your application performance.

Related concepts

[Reoptimization for statements with replaced literal values \(Db2 Performance\)](#)

Related tasks

[Improving dynamic SQL performance \(Db2 Performance\)](#)

Related reference

[Db2 ODBC initialization keywords](#)

Db2 ODBC initialization keywords control the run time environment for Db2 ODBC applications.

Turn off statement scanning

To increase performance, you can configure Db2 ODBC to scan for vendor escape clauses only on handles that have escape clauses.

About this task

By default, Db2 ODBC scans each SQL statement for vendor escape clauses. If your application does not generate SQL statements that contain vendor escape clauses, turn off statement scanning.

Procedure

Set the SQL_ATTR_NOSCAN statement attribute to SQL_NOSCAN_ON.

You can set this attribute with either of the following functions:

Option	Description
SQLSetStmtAttr()	When you set the SQL_ATTR_NOSCAN statement attribute to SQL_NOSCAN_ON with <code>SQLSetStmtAttr()</code> , you turn off statement scanning for all SQL statements that are issued on a statement handle.
SQLSetConnectAttr()	When you set the SQL_ATTR_NOSCAN statement attribute to SQL_NOSCAN_ON with <code>SQLSetConnectAttr()</code> , you turn off statement scanning for all SQL statements that are issued on a connection handle.

Related concepts

[Vendor escape clauses](#)

Vendor escape clauses increase the portability of your application if your application accesses multiple data sources from different vendors. However, if your application accesses only Db2 data sources, you have no reason to use vendor escape clauses.

Related reference

[SQLSetStmtAttr\(\) - Set statement attributes](#)

`SQLSetStmtAttr()` sets attributes that are related to a statement. To set an attribute for all statements that are associated with a specific connection, an application can call `SQLSetConnectAttr()`.

[SQLSetConnectAttr\(\) - Set connection attributes](#)

`SQLSetConnectAttr()` sets attributes that govern aspects of connections.

Techniques for reducing network flow

You can take several actions to reduce network flow.

To reduce the network flow that your Db2 ODBC applications generate, consider the following actions:

- Use `SQLSetColAttributes()` to reduce network flow.
- Disable autocommit.

- Use arrays to send and retrieve data.
- Manipulate large data values at the server.

Use `SQLSetColAttributes()` to reduce network flow

Whenever you prepare or execute a query statement directly, Db2 ODBC retrieves information about the SQL data type and size from the data source. If you use `SQLSetColAttributes()` to provide Db2 ODBC with this information in advance, Db2 ODBC does not need to query the data source.

Elimination of this query can significantly reduce network flow from remote data sources if the result set that comes back contains a very large number (hundreds) of columns.

Requirement: You must provide Db2 ODBC with exact result descriptor information for all columns; otherwise, an error occurs when you fetch the data.

`SQLSetColAttributes()` reduces the network flow best from queries that generate result sets with a large number of columns, but a relatively small number of rows.

Disable autocommit to reduce network flow

Generally, to reduce network flow, you should set the `SQL_ATTR_AUTOCOMMIT` connection attribute to `SQL_AUTOCOMMIT_OFF`. Each commit request can generate extra network flow.

Set this attribute to `SQL_AUTOCOMMIT_ON` only if the application that you are writing needs to treat each statement as a single, complete transaction.

Important: `SQL_AUTOCOMMIT_ON` is the default setting for this attribute, unless it is otherwise specified in the initialization file.

Related reference

[SQLSetConnectAttr\(\)](#) - Set connection attributes

`SQLSetConnectAttr()` sets attributes that govern aspects of connections.

[Db2 ODBC initialization keywords](#)

Db2 ODBC initialization keywords control the run time environment for Db2 ODBC applications.

Use arrays to send and retrieve data

For better performance, use arrays to update and retrieve data, and to pass parameter values and retrieve result sets.

Sending multiple data values through the network using arrays rather than individual application variables reduces network flow.

Related concepts

[Using arrays to pass parameter values](#)

Db2 ODBC provides an array input method for updating Db2 tables.

[Retrieval of a result set into an array](#)

An application can issue a query statement and fetch rows from the result set that the query generates.

Use LOBs to manipulate large data values at the server

Use LOB data types and the functions that support LOB data types for long strings, whenever possible.

Unlike `LONG VARCHAR`, `LONG VARBINARY`, and `LONG VARGRAPHIC` data types, LOB data values can use LOB locators and functions, such as `SQLGetPosition()` and `SQLGetSubString()`, to manipulate large data values at the server.

Techniques for maximizing application portability

You can maximize application portability by following several guidelines.

To maximize the portability of your Db2 ODBC applications, consider the following actions:

- Use column names of function-generated result sets.
- Use `SQLDriverConnect()` instead of `SQLConnect()`.

Use column position in function-generated result sets

The column names of result sets that are generated by catalog and get-information functions, such as `SQLGetInfo()`, can change as the X/Open and ISO standards evolve. The position of these columns, however, is fixed.

To maximize the portability of your application, base all dependencies on column position (referred to as the *icol* argument in some functions) rather than on the column name.

Use `SQLDriverConnect()` instead of `SQLConnect()`

`SQLDriverConnect()` overrides any or all of the initialization keyword values that are specified in the Db2 ODBC initialization file for a target data source.

Use `SQLDriverConnect()` instead of `SQLConnect()` to make a connection in your application behave independently of the Db2 ODBC initialization file.

Chapter 6. Problem diagnosis

Several guidelines exist for working with the Db2 ODBC traces, including information about general diagnosis, debugging, and abnormal terminations.

You can obtain traces for Db2 ODBC applications and diagnostics and Db2 ODBC stored procedures.

ODBC trace types

Db2 ODBC provides two traces that differ in purpose: an application trace for debugging user applications, and a service trace for problem diagnosis.

Application trace

You can enable Db2 ODBC application trace by using the APPLTRACE and APPLTRACEFILENAME keywords in the Db2 ODBC initialization file.

The APPLTRACE keyword is intended for customer application debugging. This trace records data information at the Db2 ODBC API interface; it is designed to trace ODBC API calls. The trace is written to the file specified on the APPLTRACEFILENAME keyword.

Use this trace to debug your Db2 ODBC applications.

Formats for the trace file name

To specify the APPLTRACEFILENAME keyword setting, you can use either JCL DD statement format or z/OS UNIX environment HFS format.

JCL DD statement format for a trace file name

The primary use of the JCL DD statement format is to write to a z/OS preallocated sequential data set.

You can also specify z/OS UNIX HFS files on a DD statement. The JCL DD statement format is APPLTRACEFILENAME="DD: *ddname*". The *ddname* value is the name of the DD statement that is specified in your job or TSO logon procedure.

Example: Assume that the keyword setting is APPLTRACEFILENAME="DD: APPLDD". You can use the following JCL DD statements in your job or TSO logon procedure to specify the z/OS trace data set.

- Write to preallocated sequential data set USER01.MYTRACE.

```
//APPLDD DD DISP=SHR,DSN=USER01.MYTRACE
```

- Write to preallocated UNIX HFS file MYTRACE in directory /usr/db2.

```
//APPLDD DD PATH='/usr/db2/MYTRACE'
```

- Allocate UNIX HFS file MYTRACE in directory /usr/db2 specifying permission for the file owner to read from (SIRUSR) and write to (SIWUSR) the trace file:

```
//APPLDD DD PATH='/usr/db2/MYTRACE',  
PATHOPTS=(ORDWR,OCREAT,OTRUNC),  
PATHMODE=(SIRUSR,SIWUSR)
```

z/OS UNIX environment HFS format for a trace file name

The z/OS UNIX environment HFS format is used only for writing to HFS files.

The z/OS UNIX HFS file name format is APPLTRACEFILENAME=*hfs_filename*. The *hfs_filename* value specifies the path and file name for the HFS file. The HFS file does not have to be preallocated. If the file name does not exist in the specified directory, the file is dynamically allocated.

Example: The following statements use the APPLTRACEFILENAME keyword to specify a z/OS UNIX environment HFS trace file.

- Create and write to HFS file named APPLTRC1 in the fully qualified directory /usr/db2.

```
APPLTRACEFILENAME=/usr/db2/APPLTRC1
```

- Create and write to HFS file named APPLTRC1 in the current working directory of the application.

```
APPLTRACEFILENAME=./APPLTRC1
```

- Create and write to HFS file named APPLTRC1 in the parent directory of the current working directory.

```
APPLTRACEFILENAME=../APPLTRC1
```

Example of application trace output

The Db2 ODBC trace facility records information, including the APIs that are started, values that are used, and data pointers.

The following is an application trace output of the same multi-threaded application using TRACEPIDTID=1. The execution path of the SQLAllocHandle() call can be easily followed using the PID and TID information.

- Line 5, 10, and 11 - Call to SQLAllocHandle to allocate a connection handle (phOutput=2)
- Line 12, 19, and 20 - Call to SQLConnect to establish a connection to the target data source
- Line 21, 29, and 30 - Call to SQLAllocHandle to allocate a statement handle (phOutput=2)
- Line 32, 54, and 55 - Call to SQLExecDirect to execute a SELECT on the statement handle
- Line 56, 57, and 58 - Call to SQLEndTran to commit the transaction
- Line 59, 68, and 69 - Call to SQLFreeHandle to free the statement handle
- Line 70, 71, and 72 - Call to SQLDisconnect to disconnect from the target data source
- Line 73, 74, and 75 - Call SQLFreeHandle to free the connection handle

Example application trace output:

```
1 [0400000D 00000000184B2000] SQLAllocHandle( fHandleType=SQL_HANDLE_ENV, hInput=0, .. )
2 [0400000D 00000000184B2000] SQLAllocHandle( phOutput=1 )
3 [0400000D 00000000184B2000] --->
SQL_SUCCESS

4 [0400000D 00000000184B5000] SQLAllocHandle( fHandleType=SQL_HANDLE_DBC, hInput=1, .. )
5 [0400000D 00000000184B4000] SQLAllocHandle( fHandleType=SQL_HANDLE_DBC, hInput=1, .. )
6 [0400000D 00000000184B3000] SQLAllocHandle( fHandleType=SQL_HANDLE_DBC, hInput=1, .. )
7 [0400000D 00000000184B5000] SQLAllocHandle( phOutput=1 )
8 [0400000D 00000000184B5000] ---> SQL_SUCCESS

9 [0400000D 00000000184B5000] SQLConnect( hDbc=1, szDSN="STLEC1", cbDSN=-3, szUID=NULL
Pointer, .. )
10 [0400000D 00000000184B4000} SQLAllocHandle( phOutput=2 )
11 [0400000D 00000000184B4000] --->
SQL_SUCCESS

12 [0400000D 00000000184B4000] SQLConnect( hDbc=2, szDSN="STLEC1", cbDSN=-3, szUID=NULL
Pointer, .. )
13 [0400000D 00000000184B3000] SQLAllocHandle( phOutput=3 )
14 [0400000D 00000000184B3000] --->
SQL_SUCCESS

15 [0400000D 00000000184B3000] SQLConnect( hDbc=3, szDSN="STLEC1", cbDSN=-3, szUID=NULL
Pointer, .. )
16 [0400000D 00000000184B5000] SQLConnect( )
17 [0400000D 00000000184B5000] ---> SQL_SUCCESS

18 [0400000D 00000000184B5000] SQLAllocHandle( fHandleType=SQL_HANDLE_STMT, hInput=1, .. )
```

```

19 [0400000D 00000000184B4000]
SQLConnect( )
20 [0400000D 00000000184B4000]    --->
SQL_SUCCESS

21 [0400000D 00000000184B4000] SQLAllocHandle( fHandleType=SQL_HANDLE_STMT, hInput=2, .. )
22 [0400000D 00000000184B3000]
SQLConnect( )
23 [0400000D 00000000184B3000]    --->
SQL_SUCCESS

24 [0400000D 00000000184B3000] SQLAllocHandle( fHandleType=SQL_HANDLE_STMT, hInput=3, .. )
25 [0400000D 00000000184B5000]
SQLAllocHandle( phOutput=1 )
26 [0400000D 00000000184B5000]    --->
SQL_SUCCESS

27 [0400000D 00000000184B3000]
SQLAllocHandle( phOutput=3 )
28 [0400000D 00000000184B3000]    --->
SQL_SUCCESS

29 [0400000D 00000000184B4000]
SQLAllocHandle( phOutput=2 )
30 [0400000D 00000000184B4000]    ---> SQL_SUCCESS

31 [0400000D 00000000184B5000] SQLExecDirect( hStmt=1, pszSqlStr="SELECT * FROM
SYSIBM.SYSDUMMY1", ..)
32 [0400000D 00000000184B4000] SQLExecDirect( hStmt=2, pszSqlStr="SELECT * FROM
SYSIBM.SYSDUMMY1", ..)
33 [0400000D 00000000184B3000] SQLExecDirect( hStmt=3, pszSqlStr="SELECT * FROM
SYSIBM.SYSDUMMY1", ..)
34 [0400000D 00000000184B5000]
SQLExecDirect( )
35 [0400000D 00000000184B5000]    ---> SQL_SUCCESS

36 [0400000D 00000000184B5000} SQLEndTran( fHandleType=SQL_HANDLE_DBC, hHandle=1, .. )
37 [0400000D 00000000184B5000]
SQLEndTran( )
38 [0400000D 00000000184B5000]    --->
SQL_SUCCESS

39 [0400000D 00000000184B3000]
SQLExecDirect( )
40 [0400000D 00000000184B3000]    --->
SQL_SUCCESS

41 [0400000D 00000000184B3000] SQLEndTran( fHandleType=SQL_HANDLE_DBC, hHandle=3, .. )
42 [0400000D 00000000184B3000]
SQLEndTran( )
43 [0400000D 00000000184B3000]    --->
SQL_SUCCESS

44 [0400000D 00000000184B3000] SQLFreeHandle( fHandleType=SQL_HANDLE_STMT,
hHandle=3 )
45 [0400000D 00000000184B3000]
SQLFreeHandle( )
46 [0400000D 00000000184B3000]    --->
SQL_SUCCESS

47 [0400000D 00000000184B3000]
SQLDisconnect( hDbc=3 )
48 [0400000D 00000000184B3000]
SQLDisconnect( )
49 [0400000D 00000000184B3000]    --->
SQL_SUCCESS

50 [0400000D 00000000184B3000] SQLFreeHandle( fHandleType=SQL_HANDLE_DBC,
hHandle=3 )
51 [0400000D 00000000184B5000] SQLFreeHandle( fHandleType=SQL_HANDLE_STMT,
hHandle=1 )
52 [0400000D 00000000184B3000]
SQLFreeHandle( )
53 [0400000D 00000000184B3000]    --->
SQL_SUCCESS

54 [0400000D 00000000184B4000] SQLExecDirect( )
55 [0400000D 00000000184B4000]    --->
SQL_SUCCESS

56 [0400000D 00000000184B4000] SQLEndTran( fHandleType=SQL_HANDLE_DBC, hHandle=2, .. )
57 [0400000D 00000000184B4000]

```

```

SQLEndTran( )
58 [0400000D 00000000184B4000] --->
SQL_SUCCESS

59 [0400000D 00000000184B4000] SQLFreeHandle( fHandleType=SQL_HANDLE_STMT,
hHandle=2 )
60 [0400000D 00000000184B5000]
SQLFreeHandle( )
61 [0400000D 00000000184B5000] --->
SQL_SUCCESS

62 [0400000D 00000000184B5000]
SQLDisconnect( hDbc=1 )
63 [0400000D 00000000184B5000]
SQLDisconnect( )
64 [0400000D 00000000184B5000] --->
SQL_SUCCESS

65 [0400000D 00000000184B5000] SQLFreeHandle( fHandleType=SQL_HANDLE_DBC,
hHandle=1 )
66 [0400000D 00000000184B5000]
SQLFreeHandle( )
67 [0400000D 00000000184B5000] --->
SQL_SUCCESS

68 [0400000D 00000000184B4000]
SQLFreeHandle( )
69 [0400000D 00000000184B4000] --->
SQL_SUCCESS

70 [0400000D 00000000184B4000]
SQLDisconnect( hDbc=2 )
71 [0400000D 00000000184B4000]
SQLDisconnect( )
72 [0400000D 00000000184B4000] ---> SQL_SUCCESS

73 [0400000D 00000000184B4000] SQLFreeHandle( fHandleType=SQL_HANDLE_DBC, hHandle=2 )
74 [0400000D 00000000184B4000] SQLFreeHandle( )
75 [0400000D 00000000184B4000] ---> SQL_SUCCESS

76 [0400000D 00000000184B2000] SQLFreeHandle( fHandleType=SQL_HANDLE_ENV, hHandle=1 )
77 [0400000D 00000000184B2000] SQLFreeHandle( )
78 [0400000D 00000000184B2000] ---> SQL_SUCCESS

```

Related concepts

Db2 ODBC initialization file

A set of optional keywords can be specified in a Db2 ODBC *initialization file*. An initialization file stores default values for various Db2 ODBC configuration options. Because the initialization file has EBCDIC text, you can use a file editor, such as the TSO editor, to edit it.

ODBC diagnostic trace

The diagnostic trace captures information to use in Db2 ODBC problem determination. Use this trace only under the direction of IBM Support. This trace is not intended to assist in debugging user-written Db2 ODBC applications.

You can view the diagnostic trace to obtain information about the general flow of an application, such as commit information. However, this trace is intended for IBM service information only and is therefore subject to change.

Related reference

Db2 ODBC initialization keywords

Db2 ODBC initialization keywords control the run time environment for Db2 ODBC applications.

Capturing ODBC diagnostic trace information in z/OS

Use the ODBC diagnostic trace only under the direction of IBM Support.

Procedure

To capture ODBC diagnostic trace information in z/OS:

1. Activate the diagnostic trace by performing one of the following actions:

- Specify DIAGTRACE=1 in the Db2 ODBC initialization file.

If you activate the diagnostic trace by using the DIAGTRACE keyword in the initialization file, you must also allocate a DSNAOTRC data set in your job or TSO logon procedure. You can use one of the following methods to allocate a DSNAOTRC data set:

- Specify a DSNAOTRC DD statement in your job or TSO logon procedure.
 - Use the TSO/E ALLOCATE command.
 - Use dynamic allocation in your ODBC application.
- Issue one of the following ODBC diagnostic trace commands:
 - DSNAOTRC command for non-XPLINK applications
 - DSNAOTRX command for 31-bit XPLINK applications
 - DSNAO64T command for 64-bit applications

Recommendation: When tracing 64-bit applications, consider specifying a diagnostic trace buffer size that is up to 10% bigger than what you would specify for 31-bit applications. If you activated the trace by specifying DIAGTRACE=1 in the ODBC initialization file, specify this buffer size with the DIAGTRACE_BUFFER_SIZE keyword in the initialization file. If you activated the trace by using a diagnostic trace command, specify this buffer size as a parameter of that command.

2. Stop, dump, or format the trace as needed by using the appropriate ODBC diagnostic trace command with the relevant options or by changing the values of the appropriate keywords in the ODBC initialization file.

Related concepts

[Specifications for the diagnostic trace file](#)

The diagnostic trace data can be written to a z/OS sequential data set or to a z/OS UNIX environment HFS file.

Related reference

[Db2 ODBC initialization keywords](#)

Db2 ODBC initialization keywords control the run time environment for Db2 ODBC applications.

[ODBC diagnostic trace commands](#)

Use an ODBC diagnostic trace command to start and stop traces, query the status of a trace, capture the trace table, and format the trace information. Use the ODBC diagnostic trace only under the direction of IBM Software Support.

Capturing ODBC diagnostic trace information in the z/OS UNIX environment

Use the ODBC diagnostic trace only under the direction of IBM Support. You can activate this diagnostic trace from the z/OS UNIX environment command line.

Procedure

To capture ODBC diagnostic trace information in the z/OS UNIX environment:

1. Use the TSO/E command, OPUTX, to store the following program load modules in z/OS UNIX environment HFS files:
 - DSNAOTRC, for non-XPLINK applications
 - DSNAOTRX, for 31-bit XPLINK applications
 - DSNAO64T, for 64-bit applications

The following example uses the OPUTX command to store load module DSNAOTRC from the partitioned data set *prefix*.SDSNLOAD to the HFS file DSNAOTRC in the directory /usr/db2:

```
OPUTX 'prefix.SDSNLOAD(DSNAOTRC)' /usr/db2/dsnaotrc
```

The following example uses the OPUTX command to store load module DSNAOTRX from the partitioned data set *prefix.SDSNLOD2* to the HFS file DSNAOTRX in the directory */usr/db2*:

```
OPUTX 'prefix.SDSNLOD2(DSNAOTRX)' /usr/db2/dsnaotrx
```

The following example uses the OPUTX command to store load module DSNAO64T from the partitioned data set *prefix.SDSNLOD2* to the HFS file DSNAO64T in the directory */usr/db2*:

```
OPUTX 'prefix.SDSNLOD2(DSNAO64T)' /usr/db2/dsnao64t
```

2. Enable the shared address space environment variable for the z/OS UNIX shell. Issue the following export statement at the command line or specify it in your \$HOME/.profile file:

```
export _BPX_SHAREAS=YES
```

Setting this environment variable allows the OMVS command and the z/OS UNIX shell to run in the same TSO address space.

3. Go to the directory that contains the DSNAOTRC, DSNAOTRX, and DSNAO64T load modules.
4. Verify that execute permission is established for the DSNAOTRC, DSNAOTRX, and DSNAO64T load modules. If execute permission was not granted, use the chmod command to set execute permission for each of the load modules.
5. Issue one of the following ODBC diagnostic trace commands from the z/OS UNIX environment command line to activate the diagnostic trace:

Option	Description
dsnaotrc on	Use this command when tracing non-XPLINK applications.
dsnaotrx on	Use this command when tracing 31-bit XPLINK applications.
dsnao64t on	Use this command when tracing 64-bit XPLINK applications.

The options for activating the diagnostic trace are optional.

6. Run the ODBC application.
7. Issue one of the following ODBC diagnostic trace commands from the z/OS UNIX environment command line to dump the diagnostic trace:

Option	Description
dsnaotrc dmp "raw_trace_file"	Use this command when tracing non-XPLINK applications.
dsnaotrx dmp "raw_trace_file"	Use this command when tracing 31-bit XPLINK applications.
dsnao64t dmp "raw_trace_file"	Use this command when tracing 64-bit XPLINK applications.

The *raw_trace_file* value is the name of the output file to which Db2 writes the raw diagnostic trace data.

Each of the following example statements show how to code the trace data set specification in the non-XPLINK environment. To code the following data set specifications in the XPLINK environment, replace the DSNAOTRC command with the DSNAOTRX or DSNAO64 command. All additional syntax for the trace command in each environment is identical.

- Currently allocated JCL DD statement name TRACEDD

```
DSNAOTRC DMP DD:TRACEDD
```

- Sequential data set USER01.DIAGTRC

```
DSNAOTRC DMP "USER01.DIAGTRC"
```


- z/OS UNIX environment HFS file that is named DIAGTRC in directory /usr/db2

```
DSNAOTRC DMP "/usr/db2/DIAGTRC"
```

8. Issue one of the following ODBC diagnostic trace commands from the z/OS UNIX environment command line to deactivate the diagnostic trace:

Option	Description
dsnaotrc off	Use this command when tracing non-XPLINK applications.
dsnaotrx off	Use this command when tracing 31-bit XPLINK applications.
dsnao64t off	Use this command when tracing 64-bit XPLINK applications.

9. Issue one of the following ODBC diagnostic trace commands from the z/OS UNIX environment command line to format the raw trace data records from input file *raw_trace_file* to output file *fmt_trace_file*.

Option	Description
dsnaotrc fmt " <i>raw_trace_file</i> " " <i>fmt_trace_file</i> "	Use this command when requesting detailed trace reports for non-XPLINK applications.
dsnaotrc flw " <i>raw_trace_file</i> " " <i>fmt_trace_file</i> "	Use this command when requesting flow trace reports for non-XPLINK applications.
dsnaotrx fmt " <i>raw_trace_file</i> " " <i>fmt_trace_file</i> "	Use this command when requesting detailed trace reports for 31-bit XPLINK applications.
dsnaotrx flw " <i>raw_trace_file</i> " " <i>fmt_trace_file</i> "	Use this command when requesting flow trace reports for 31-bit XPLINK applications.
dsnao64t fmt " <i>raw_trace_file</i> " " <i>fmt_trace_file</i> "	Use this command when requesting detailed trace reports for 64-bit XPLINK applications.
dsnao64t flw " <i>raw_trace_file</i> " " <i>fmt_trace_file</i> "	Use this command when requesting flow trace reports for 64-bit XPLINK applications.

Each of the following statements show how to code the input data set specification in the non-XPLINK environment. To code the following data set specifications in the XPLINK environment, replace the DSNAOTRC command with the DSNAOTRX or DSNAO64 command. All additional syntax for the trace command in each environment is identical.

- Currently allocated JCL DD statement name INPDD.

```
DSNAOTRC FLW DD:INPDD output-dataset-spec
```

- Sequential data set USER01.DIAGTRC.

```
DSNAOTRC FLW "USER01.DIAGTRC" output-dataset-spec
```

- z/OS UNIX environment HFS file DIAGTRC in directory /usr/db2.

```
DSNAOTRC FLW "/usr/db2/DIAGTRC" output-dataset-spec
```

Each of the following example statements show how to code the output data set specification in the non-XPLINK environment. To code the following data set specifications in the XPLINK environment, replace the DSNAOTRC command with the DSNAOTRX or DSNAO64 command. All additional syntax for the trace command in each environment is identical.

- Currently allocated JCL DD statement name OUTPDD.

```
DSNAOTRC FLW input-dataset-spec DD:OUTPDD
```

- Sequential data set USER01.TRCFLOW.

```
DSNAOTRC FLW input-dataset-spec "USER01.TRCFLOW"
```

- z/OS UNIX environment HFS file TRCFLOW in directory /usr/db2.

```
DSNAOTRC FLW input-dataset-spec "/usr/db2/TRCFLOW"
```

10. Delete the DSNAOTRC, DSNAOTRX, and DSNAO64T program modules from your z/OS UNIX environment directory. Do not attempt to maintain a private copy of these program modules in your HFS directory.

Related concepts

[Specifications for the diagnostic trace file](#)

The diagnostic trace data can be written to a z/OS sequential data set or to a z/OS UNIX environment HFS file.

Related reference

[ODBC diagnostic trace commands](#)

Use an ODBC diagnostic trace command to start and stop traces, query the status of a trace, capture the trace table, and format the trace information. Use the ODBC diagnostic trace only under the direction of IBM Software Support.

ODBC diagnostic trace commands

Use an ODBC diagnostic trace command to start and stop traces, query the status of a trace, capture the trace table, and format the trace information. Use the ODBC diagnostic trace only under the direction of IBM Software Support.

The following trace commands perform the same tracing tasks and use identical syntax:

DSNAOTRC

Use this trace command for non-XPLINK ODBC applications.

DSNAOTRX

Use this trace command for 31-bit XPLINK ODBC applications.

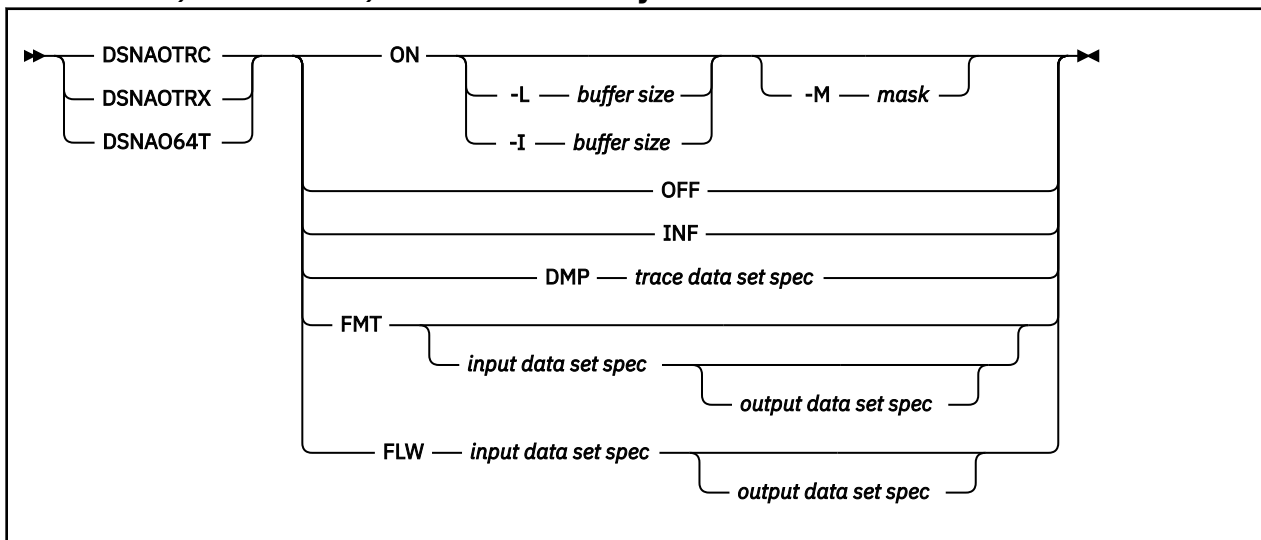
DSNAO64T

Use this trace command for 64-bit ODBC applications.

These trace commands perform the following tracing tasks:

- Manually start or stop the recording of memory resident diagnostic trace records.
- Query the current status of the diagnostic trace.
- Capture the memory resident trace table to a z/OS data set or a z/OS UNIX environment HFS file.
- Format the Db2 ODBC diagnostic trace.

DSNAOTRC, DSNAOTRX, and DSNAO64T syntax



DSNAOTRC, DSNAOTRX, and DSNAO64T option descriptions

ON

Start the Db2 ODBC diagnostic trace.

-L *buffer size*

L = Last. The trace wraps; it captures the last, most current trace records.

buffer size is the number of bytes to allocate for the trace buffer. This value is required. The buffer size is rounded to a multiple of 65536 (64K).

-I *buffer size*

I = Initial. The trace does not wrap; it captures the initial trace records.

buffer size is the number of bytes to allocate for the trace buffer. This value is required. The buffer size is rounded to a multiple of 65536 (64K).

OFF

Stop the Db2 ODBC diagnostic trace.

INF

Display information about the currently active Db2 ODBC diagnostic trace.

DMP

Dump the currently active Db2 ODBC diagnostic trace.

trace data set spec

Specifies the z/OS data set or the z/OS UNIX environment HFS file to which Db2 writes the raw Db2 ODBC diagnostic trace data. The data set specification can be either a z/OS data set name, a z/OS UNIX environment HFS file name, or a currently allocated JCL DD statement name.

FMT

Generate a formatted detail report of the Db2 ODBC diagnostic trace contents.

Trace data captured through DSNAO64T must be formatted with the DSNAO64T command. Otherwise, trace data can become corrupted.

FLW

Generate a formatted flow report of the Db2 ODBC diagnostic trace contents.

input data set spec

DSNAO64T The data set that contains the raw Db2 ODBC diagnostic trace data to be formatted. This data set was generated as the result of a DSNAOTRC DMP command, the DSNAOTRX DMP command, or the DSNAO64T DMP command or by the DSNAOTRC DD statement when the DIAGTRACE initialization keyword enables tracing. The data set specification can be either a z/OS

data set name, a z/OS UNIX environment HFS file name, or a currently allocated JCL DD statement name. If this parameter is not specified, the DSNAOTRC, DSNAOTRX, or DSNAO64T command attempts to format the memory resident DSNAOTRC that is currently active.

output data set spec

The data set to which the formatted Db2 ODBC diagnostic trace records are written. The data set specification can be either a z/OS data set name, a z/OS UNIX environment HFS file name, or a currently allocated JCL DD statement name. If you specify a z/OS data set or a z/OS UNIX environment HFS file that does not exist, Db2 allocates it dynamically. If this parameter is not specified, the output is written to standard output ("STDOUT").

Related concepts

Extra performance linkage

The XPLINK Db2 ODBC driver enhances the performance of XPLINK ODBC applications. The XPLINK Db2 ODBC driver is recommended to enhance performance only if your ODBC application uses XPLINK code exclusively.

Specifications for the diagnostic trace file

The diagnostic trace data can be written to a z/OS sequential data set or to a z/OS UNIX environment HFS file.

A z/OS data set must be preallocated with the following data set attributes:

- Sequential data set organization
- Fixed-block 80 record format

When you execute an ODBC application in the z/OS UNIX environment and activate the diagnostic trace using the DIAGTRACE keyword in the initialization file, Db2 writes the diagnostic data to a dynamically allocated file, DD:DSNAOTRC. This file is located in the current working directory of the application if the DSNAOTRC DD statement is not available to the ODBC application. You can format DD:DSNAOTRC by using the DSNAOTRC, DSNAOTRX, or DSNAO64T trace formatting programs.

Example: The following JCL examples use a DSNAOTRC DD JCL statement to specify the diagnostic trace file.

- Write to preallocated sequential data set USER01.DIAGTRC.

```
//DSNAOTRC DD DISP=SHR,DSN=USER01.DIAGTRC
```

- Write to the preallocated z/OS UNIX environment HFS file DIAGTRC in the directory /usr/db2.

```
//DSNAOTRC DD PATH='/usr/db2/DIAGTRC'
```

- Allocate the z/OS UNIX environment HFS file DIAGTRC in the directory /usr/db2 specifying permission for the file owner to read from (SIRUSR) and write to (SIWUSR) the trace file.

```
//DSNAOTRC DD PATH='/usr/db2/DIAGTRC',  
PATHOPTS=(ORDWR,OCREAT,OTRUNC),  
PATHMODE=(SIRUSR,SIWUSR)
```

Stored procedure trace

To obtain an application trace or a diagnostic trace of a Db2 ODBC stored procedure, you need to perform certain steps in the initialization file.

Db2 ODBC stored procedures run in a WLM-established address space. Both the main application that calls the stored procedure (client application), and the stored procedure itself, can be either a Db2 ODBC application or a standard Db2 precompiled application.

If the client application and the stored procedure are Db2 ODBC application programs, you can trace:

- A client application only
- A stored procedure only

- Both the client application and stored procedure

More than one address space can not share write access to a single data set. Therefore, you must use the appropriate JCL DD statements to allocate a unique trace data set for each stored procedure address space that uses the Db2 ODBC application trace or diagnostic trace.

Tracing a client application

Tracing a client application requires setting certain parameters in the common section of the initialization file. Additionally, you must specify an APPLTRC DD statement in the JCL for the application job or in your TSO logon procedure.

Procedure

To obtain an application trace:

1. Set APPLTRACE=1 and APPLTRACEFILENAME="DD:dd-name" in the common section of the Db2 ODBC initialization file as follows:

```
[COMMON]
APPLTRACE=1
APPLTRACEFILENAME="DD:APPLTRC"
```

dd-name is the name of a DD statement specified in the JCL for the application job or your TSO logon procedure.

2. Specify an APPLTRC DD statement in the JCL for the application job or your TSO logon procedure.

The DD statement references a preallocated z/OS sequential data set with DCB attributes RECFM=VBA, LRECL=137, a z/OS UNIX environment HFS file to contain the client application trace, as shown in the following examples:

```
//APPLTRC DD DISP=SHR,DSN=CLI.APPLTRC
```

```
//APPLTRC DD PATH='/u/cli/appltrc'
```

Related reference

[SQL to C data conversion](#)

To convert SQL data types to C data types, you need to know the arguments: *fCType*, *cbValueMax*, *rgbValue*, and *pcbValue*. The SQLSTATE for each conversion outcome is returned.

Obtaining an application trace for a stored procedure

Obtaining an application trace for a stored procedure requires modifying the initialization file.

Procedure

To obtain an application trace:

1. Set APPLTRACE=1 and APPLTRACEFILENAME="DD:dd-name" in the common section of the Db2 ODBC initialization file as follows:

```
[COMMON]
APPLTRACE=1
APPLTRACEFILENAME="DD:APPLTRC"
```

dd-name is the name of a DD statement that is specified in the JCL for the stored procedure address space.

2. Specify an JCL DD statement in the JCL for the stored procedure address space.

The DD statement references a preallocated sequential data set with DCB attributes RECFM=VBA, LRECL=137 or a z/OS UNIX environment HFS file to contain the client application trace, as shown in the following examples:

```
//APPLTRC DD DISP=SHR,DSN=CLI.APPLTRC
```

```
//APPLTRC DD PATH='/u/cli/appltrc'
```

Obtaining a diagnostic trace for a stored procedure

You can trace a stored procedure with the ODBC diagnostic trace if the stored procedure is an ODBC application program. Use the ODBC diagnostic trace only under the direction of IBM Support.

Procedure

To obtain a diagnostic trace for a stored procedure:

1. Set `DIAGTRACE=1`, `DIAGTRACE_BUFFER_SIZE=nnnnnn`, and `DIAGTRACE_NO_WRAP=0` or `1` in the common section of the Db2 ODBC initialization file. `nnnnnn` is the number of bytes to allocate for the diagnostic trace buffer.

For example:

```
[COMMON]
DIAGTRACE=1
DIAGTRACE_BUFFER_SIZE=2000000
DIAGTRACE_NO_WRAP=1
```

Recommendation: When tracing 64-bit applications, consider specifying a diagnostic trace buffer size that is up to 10% bigger than what you would specify for 31-bit applications.

2. Specify a `DSNAOINI` DD statement in the JCL for the stored procedure address space. The DD statement references the Db2 ODBC initialization file, as shown in the following examples:

```
//DSNAOINI DD DISP=SHR,DSN=CLI.DSNAOINI
```

```
//DSNAOINI DD PATH='/u/cli/dsnaoini'
```

3. Specify a `DSNAOTRC` DD statement in the JCL for the stored procedures space. The DD statement references a preallocated sequential data set with DCB attributes `RECFM=FB,LRECL=80`, or a z/OS UNIX environment HFS file to contain the unformatted diagnostic data, as shown in the following examples:

```
//DSNAOTRC DD DISP=SHR,DSN=CLI.DIAGTRC
```

```
//DSNAOTRC DD PATH='/u/cli/diagtrc'
```

4. Execute the client application that calls the stored procedure.
5. After the Db2 ODBC stored procedure executes, stop the stored procedure address space by using the z/OS command, `"VARY WLM, APPLENV=name, QUIESCE"`. `name` is the WLM application environment name.
6. Submit either the formatted or unformatted diagnostic trace data to IBM Support. To format the raw trace data at your site, run the `DSNAOTRC` command (or the `DSNAOTRX` command in the XPLINK environment or the `DSNAO64T` command in the 64-bit environment) with the `FMT` or `FLW` options against the diagnostic trace data set.

Obtaining an application trace for a client application and a stored procedure

You can debug your stored procedure and the calling application with an ODBC application trace if both the application and stored procedure are Db2 ODBC application programs.

Procedure

To obtain an application trace for a client application and a stored procedure:

1. Set APPLTRACE=1 and APPLTRACEFILENAME="DD:DDNAME" in the common section of the Db2 ODBC initialization file as follows:

```
[COMMON]
APPLTRACE=1
APPLTRACEFILENAME="DD:APPLTRC"
```

DDNAME is the name of the DD statement specified in both the JCL for the client application job and the stored procedure address space.

2. Specify a APPLTRC DD statement in the JCL for the client application. The DD statement references a preallocated sequential data set with DCB attributes RECFM=VBA,LRECL=137, or a z/OS UNIX environment HFS file to contain the client application trace, as shown in the following examples:

```
//APPLTRC DD DISP=SHR,DSN=CLI.APPLTRC.CLIENT
```

```
//APPLTRC DD PATH='/u/cli/appltrc.client'
```

You must allocate a separate application trace data set, or an HFS file for the client application. Do not attempt to write to the same application trace data set or HFS file used for the stored procedure.

3. Specify a APPLTRC DD statement in the JCL for the stored procedure address space. The DD statement references a preallocated sequential data set, or a z/OS UNIX environment HFS file to contain the stored procedure application trace, as shown in the following examples:

```
//APPLTRC DD DISP=SHR,DSN=CLI.APPLTRC.SPROC
```

```
//APPLTRC DD PATH='/u/cli/appltrc.sproc'
```

You must allocate a separate trace data set or HFS file for the stored procedure. Do not attempt to write to the same application trace data set or HFS file used for the client application.

Obtaining a diagnostic trace for a client application and a stored procedure

You can trace a stored procedure and its calling application with the ODBC diagnostic trace if both the application and stored procedure are ODBC application programs. Use the ODBC diagnostic trace only under the direction of IBM Software Support.

Procedure

To obtain a diagnostic trace for a client application and a stored procedure:

1. Set DIAGTRACE=1, DIAGTRACE_BUFFER_SIZE=*nnnnnnn*, and DIAGTRACE_NO_WRAP=0 or 1 in the common section of the Db2 ODBC initialization file. *nnnnnnn* is the number of bytes to allocate for the diagnostic trace buffer.

For example:

```
[COMMON]
DIAGTRACE=1
DIAGTRACE_BUFFER_SIZE=2000000
DIAGTRACE_NO_WRAP=1
```

Recommendation: When tracing 64-bit applications, consider specifying a diagnostic trace buffer size that is up to 10% bigger than what you would specify for 31-bit applications.

2. Specify a z/OS DSNAOINI DD statement in the JCL for the stored procedure address space. The DD statement references the Db2 ODBC initialization file, as shown in the following examples:

```
//DSNAOINI DD DISP=SHR,DSN=CLI.DSNAOINI
```

```
//DSNAOINI DD PATH='/u/cli/dsnaoini'
```

3. Specify a DSNAOTRC DD statement in JCL for the client application job. The DD statement references a preallocated sequential data set with DCB attributes RECFM=FB,LRECL=80, or a z/OS UNIX environment HFS file to contain the unformatted diagnostic data, as shown in the following examples:

```
//DSNAOTRC DD DISP=SHR,DSN=CLI.DIAGTRC.CLIENT
```

```
//DSNAOTRC DD PATH='/u/cli/diagtrc.client'
```

4. Specify a DSNAOTRC DD statement in the JCL for the stored procedure address space. The DD statement references a preallocated sequential data set with DCB attributes RECFM=FB,LRECL=80, or a z/OS UNIX environment HFS file to contain the stored procedure's unformatted diagnostic data, as shown in the following examples:

```
//DSNAOTRC DD DISP=SHR,DSN=CLI.DIAGTRC.SPROC
```

```
//DSNAOTRC DD PATH='/u/cli/diagtrc.sproc'
```

5. Execute the client application that calls the stored procedure.
6. After the Db2 ODBC stored procedure executes, stop the stored procedure address space by using the following z/OS command:

```
VARY WLM,APPLENV=name,QUIESCE
```

name is the WLM application environment name.

7. Submit either the formatted or unformatted diagnostic trace data to IBM Support. To format the raw trace data at your site, run the DSNAOTRC command (or the DSNAOTRX command in the XPLINK environment or the DSNAO64T command in the 64-bit environment) with the FMT or FLW options against the client application's diagnostic trace data set and the stored procedure's diagnostic trace data set.

Abnormal termination

Language Environment reports Db2 ODBC abends because Db2 ODBC runs under Language Environment. Typically, Language Environment reports the type of abend that occurs and the function that is active in the address space at the time of the abend.

Db2 ODBC has no facility for abend recovery. When an abend occurs, Db2 ODBC terminates. Database management systems follow the normal recovery process for any outstanding Db2 unit of work.

"CEE" is the prefix for all Language Environment messages. If the prefix of the active function is "CLI", then Db2 ODBC had control during the abend which indicates that this can be a Db2 ODBC, a Db2, or a user error.

The following example shows an abend:

```
CEE3250C The system or user abend S04E R=00000000 was issued.  
From entry point CLI_mvscallProcedure(CLI_CONNECTINFO*,...  
+091A2376 at address 091A2376...
```

In this message, you can determine what caused the abend as follows:

- "CEE" indicates that Language Environment is reporting the abend.
- The entry point shows that Db2 ODBC is the active module.
- Abend code "S04E" means that this is a Db2 system abend.

Related reference

[Language Environment Debugging Guide \(z/OS Language Environment Debugging Guide\)](#)

Internal error code

DB2 ODBC provides an internal error code for ODBC diagnosis that is intended for use under the guidance of IBM Software Support. This unique error location, ERRLOC, is useful for APAR searches.

The following example of a failed `SQLAllocHandle()` (with *HandleType* set to `SQL_HANDLE_DBC`) shows an error location:

```
DB2 ODBC Sample SQLError Information
DB2 ODBC Sample SQLSTATE           : 58004
DB2 ODBC Sample Native Error Code  : -99999
DB2 ODBC Sample Error message text:
  {DB2 for z/OS}{ODBC Driver} SQLSTATE=58004  ERRLOC=2:170:4;
  RRS "IDENTIFY" failed using DB2 system:V81A,
  RC=08 and REASON=00F30091
```


Chapter 7. Db2 ODBC reference information

To use Db2 ODBC effectively, you need to know about differences between ODBC and Db2 ODBC, Db2 ODBC data types, extended scalar functions, SQLSTATEs, deprecated functions. You must also know where to locate example code.

Db2 ODBC and ODBC differences

Db2 ODBC and standard ODBC differ in several ways for their drivers, data types, and isolation levels.

Related reference

Status of support for ODBC functions

Each function has its own ODBC 3.0 conformance level, and Db2 ODBC support level, and certain functions are deprecated.

Db2 ODBC and ODBC drivers

Differences exist between the Db2 ODBC and ODBC drivers. Generally, Db2 ODBC supports a subset of the functions that the ODBC driver provides.

The following figure compares Db2 ODBC and the Db2 ODBC driver. The left side of this figure depicts an ODBC driver under the ODBC driver manager. The right side of this figure depicts Db2 ODBC, a callable interface that is designed for Db2-specific applications.

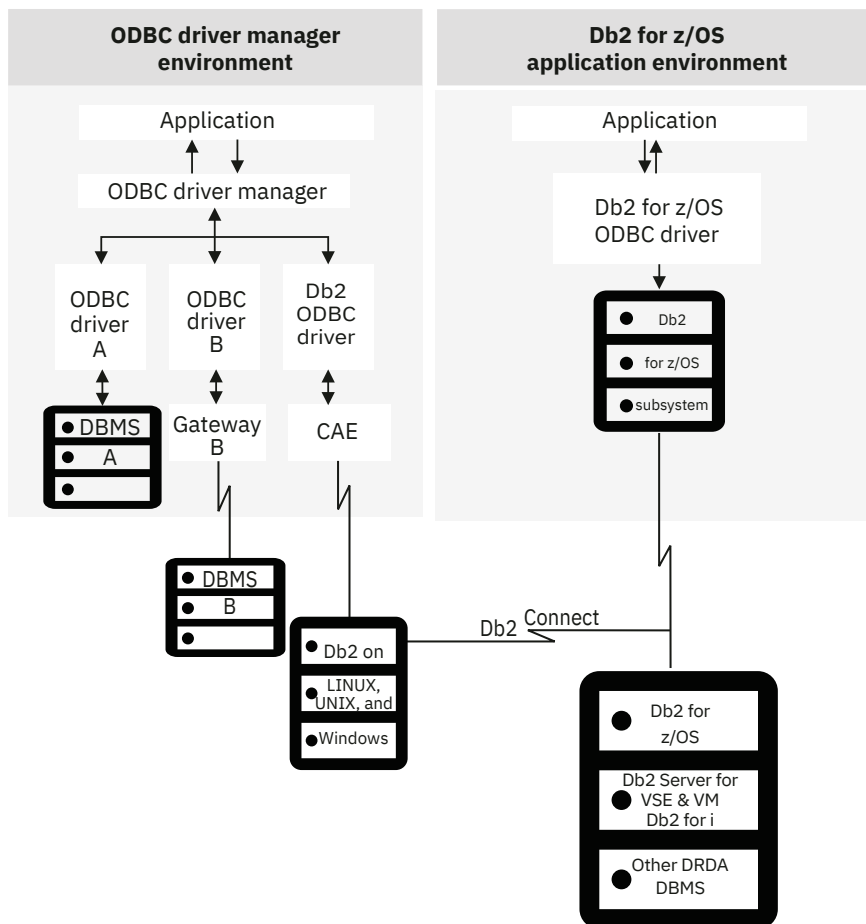


Figure 67. Db2 ODBC and ODBC

In an ODBC environment, the driver manager provides the interface to the application. It also dynamically loads the necessary driver for the database server to which the application connects. It is the driver that

implements the ODBC function set, with the exception of some extended functions that are implemented by the driver manager.

The Db2 ODBC driver does not execute in this environment. Rather, Db2 ODBC is a self-sufficient driver which supports a subset of the functions that the ODBC driver provides.

Db2 ODBC applications interact directly with the ODBC driver which executes within the application address space. Applications do not interface with a driver manager. The capabilities that are provided to the application are a subset of the Microsoft ODBC 2.0 specifications.

ODBC APIs and data types

Db2 ODBC supports a subset of the functions that the ODBC driver provides.

The following table summarizes the ODBC 3.0 application programming interfaces, ODBC SQL data types and ODBC C data types and whether those functions and data types are supported by Db2 ODBC.

Table 263. Db2 ODBC support

ODBC features	Db2 ODBC
Core level functions	All, except for: <ul style="list-style-type: none"> • SQLDrivers() • SQLGetDescField() • SQLSetDescField() • SQLGetDescRec() • SQLSetDescRec() • SQLCopyDesc()
Level 1 functions	All, except for SQLBrowseConnect().
Level 2 functions	All
Additional Db2 ODBC functions	<ul style="list-style-type: none"> • SQLSetConnection() • SQLGetEnvAttr() • SQLSetColAttributes() • SQLGetLength() • SQLGetPosition() • SQLGetSubString() • SQLGetSQLCA()
Minimum SQL data types	<ul style="list-style-type: none"> • SQL_CHAR • SQL_LONGVARCHAR • SQL_VARCHAR
Core SQL data types	<ul style="list-style-type: none"> • SQL_DECIMAL • SQL_NUMERIC • SQL_SMALLINT • SQL_INTEGER • SQL_REAL • SQL_FLOAT • SQL_DOUBLE

Table 263. Db2 ODBC support (continued)

ODBC features	Db2 ODBC
Extended SQL data types	<ul style="list-style-type: none"> • SQL_BIT • SQL_TINYINT • SQL_BIGINT • SQL_BINARY • SQL_BLOB • SQL_BLOB_LOCATOR • SQL_CLOB • SQL_CLOB_LOCATOR • SQL_DBCLOB • SQL_DBCLOB_LOCATOR • SQL_DECFLOAT • SQL_LONGVARBINARY • SQL_ROWID • SQL_TYPE_DATE • SQL_TYPE_TIME • SQL_TYPE_TIMESTAMP • SQL_VARBINARY • SQL_XML
ODBC 3.0 SQL data types	<ul style="list-style-type: none"> • SQL_GRAPHIC • SQL_LONGVARGRAPHIC • SQL_VARGRAPHIC
Core C data types	<ul style="list-style-type: none"> • SQL_C_CHAR • SQL_C_DOUBLE • SQL_C_FLOAT • SQL_C_LONG (SLONG, ULONG) • SQL_C_SHORT (SSHORT, USHORT)
Extended C data types	<ul style="list-style-type: none"> • SQL_C_BINARY • SQL_C_BIT • SQL_C_BLOB_LOCATOR • SQL_C_CLOB_LOCATOR • SQL_C_DBCLOB_LOCATOR • SQL_C_DECIMAL64 • SQL_C_DECIMAL128 • SQL_C_TYPE_DATE • SQL_C_TYPE_TIME • SQL_C_TYPE_TIMESTAMP • SQL_C_TINYINT
ODBC 3.0 C data types	<ul style="list-style-type: none"> • SQL_C_DBCHAR

Table 263. Db2 ODBC support (continued)

ODBC features	Db2 ODBC
Return codes	<ul style="list-style-type: none"> • SQL_SUCCESS • SQL_SUCCESS_WITH_INFO • SQL_NEED_DATA • SQL_NO_DATA_FOUND • SQL_ERROR • SQL_INVALID_HANDLE
SQLSTATEs	Mapped to X/Open SQLSTATEs with additional IBM SQLSTATEs
Multiple connections per application	Supported but type 1 connections, SQL_ATTR_CONNECTTYPE = SQL_CONCURRENT_TRANS. Must be on a transaction boundary prior to SQLConnect() or SQLSetConnection().

Related reference

Status of support for ODBC functions

Each function has its own ODBC 3.0 conformance level, and Db2 ODBC support level, and certain functions are deprecated.

Related information

[Microsoft open database connectivity \(ODBC\)](#)

Isolation levels

With the exception of the no commit isolation level, all Db2 isolation levels have corresponding ODBC isolation levels.

The following table maps Db2 isolation levels to ODBC transaction isolation levels. The SQLGetInfo() function indicates which isolation levels are available.

Table 264. Isolation levels under ODBC

Db2 isolation level	ODBC isolation level
Cursor stability	SQL_TXN_READ_COMMITTED
Repeatable read	SQL_TXN_SERIALIZABLE_READ
Read stability	SQL_TXN_REPEATABLE_READ
Uncommitted read	SQL_TXN_READ_UNCOMMITTED
No commit	(no equivalent in ODBC)

Restriction: SQLSetConnectAttr() and SQLSetStmtAttr() return SQL_ERROR with an SQLSTATE of HY009 if you try to set an unsupported isolation level.

Extended scalar functions

ODBC supports the use of extended scalar functions through vendor escape clauses. Each function can be called by using the escape clause syntax, or by calling the equivalent Db2 function.

Related concepts

[ODBC scalar functions](#)

You can use SQL scalar functions on columns of result sets, or on columns that restrict rows of a result set.

Errors returned by extended scalar functions

All errors that are detected by extended scalar functions return SQLSTATE 38552 when you are connected to a Db2 for Linux, UNIX, and Windows server.

The text portion of the message is of the form SYSFUN:*nn* where *nn* is one of the following reason codes:

- 01**
Numeric value out of range
- 02**
Division by zero
- 03**
Arithmetic overflow or underflow
- 04**
Invalid date format
- 05**
Invalid time format
- 06**
Invalid timestamp format
- 07**
Invalid character representation of a timestamp duration
- 08**
Invalid interval type (must be one of 1, 2, 4, 8, 16, 32, 64, 128, 256)
- 09**
String too long
- 10**
Length or position in string function out of range
- 11**
Invalid character representation of a floating point number

String functions

Db2 supports various string functions that are defined by ODBC using vendor escape clauses.

The following rules apply to input strings for these functions:

- Character string literals used as arguments to scalar functions must be enclosed in single quotes.
- Arguments denoted as *string_exp* can be the name of a column, a string literal, or the result of another scalar function, where the underlying data type can be represented as SQL_CHAR, SQL_VARCHAR, or SQL_LONGVARCHAR.
- Arguments denoted as *start*, *length*, *code*, or *count* can be a numeric literal or the result of another scalar function, where the underlying data type is integer based (SQL_SMALLINT, SQL_INTEGER).
- The first character in the string is considered to be at position 1.

ASCII(*string_exp*)

Returns the ASCII code value of the leftmost character of *string_exp* as an integer.

CONCAT(*string_exp1*, *string_exp2*)

Returns a character string that is the result of concatenating *string_exp2* to *string_exp1*.

INSERT(*string_exp1*, *start*, *length*, *string_exp2*)

Returns a character string where *length* number of characters beginning at *start* is replaced by *string_exp2* which contains *length* characters.

LEFT(*string_exp*, *count*)

Returns the leftmost *count* of characters of *string_exp*.

LENGTH(*string_exp*)

Returns the number of characters in *string_exp*, excluding trailing blanks and the string termination character.

REPEAT(*string_exp*, *count*)

Returns a character string composed of *string_exp* repeated *count* times.

RIGHT(*string_exp*, *count*)

Returns the rightmost count of characters of *string_exp*.

SUBSTRING(*string_exp*, *start*, *length*)

Returns a character string that is derived from *string_exp* beginning at the character position specified by *start* for *length* characters.

Date and time functions

Db2 supports date and time functions that are defined through vendor escape clauses.

The following rules apply to these functions:

- Arguments denoted as *timestamp_exp* can be the name of a column, the result of another scalar function, or a time, date, or timestamp literal.
- Arguments denoted as *date_exp* can be the name of a column, the result of another scalar function, or a date or timestamp literal, where the underlying data type can be character based, or date or timestamp based.
- Arguments denoted as *time_exp* can be the name of a column, the result of another scalar function, or a time or timestamp literal, where the underlying data types can be character based, or time or timestamp based.

CURDATE()

Returns the current date as a date value.

CURTIME()

Returns the current local time as a time value.

DAYOFMONTH(*date_exp*)

Returns the day of the month in *date_exp* as an integer value in the range of 1-31.

HOUR(*time_exp*)

Returns the hour in *time_exp* as an integer value in the range of 0-23.

MINUTE(*time_exp*)

Returns the minute in *time_exp* as integer value in the range of 0-59.

MONTH(*date_exp*)

Returns the month in *date_exp* as an integer value in the range of 1-12.

NOW()

Returns the current date and time as a timestamp value.

SECOND(*time_exp*)

Returns the second in *time_exp* as an integer value in the range of 0-59.

System functions

Db2 supports system functions that are defined through vendor escape clauses.

The following rules apply to the arguments in these system functions:

- Arguments denoted as *exp* can be the name of a column, the result of another scalar function, or a literal.
- Arguments denoted as *value* can be a literal constant.

DATABASE()

Returns the name of the database corresponding to the connection handle (*hdbc*). (The name of the database is also available using `SQLGetInfo()` by specifying the information type `SQL_DATABASE_NAME`.)

IFNULL(*exp*, *value*)

If *exp* is null, *value* is returned. If *exp* is not null, *exp* is returned. The possible data types of *value* must be compatible with the data type of *exp*.

USER()

Returns the user's authorization name. (The user's authorization name is also available using `SQLGetInfo()` by specifying the information type `SQL_USER_NAME`.)

SQLSTATE cross reference

SQLSTATEs are returned by the Db2 ODBC application as a diagnostic tool for encountered errors, indicating the cause for these errors.

Table 265 on page 539 is a cross-reference of all the SQLSTATEs for each function. This table does not include SQLSTATEs that were remapped between ODBC 2.0 and ODBC 3.0, although deprecated functions continue to return these values.

Important: Db2 ODBC can also return SQLSTATEs generated by the server that are not listed in this table. If the returned SQLSTATE is not listed here, see the documentation for the server for additional SQLSTATE information.

Table 265. SQLSTATE cross reference

SQLSTATE	Description	Functions
01000	Warning.	<ul style="list-style-type: none"> • <code>SQLAllocHandle()</code> • <code>SQLCloseCursor()</code> • <code>SQLColAttribute()</code> • <code>SQLDescribeParam()</code> • <code>SQLEndTran()</code> • <code>SQLFreeHandle()</code> • <code>SQLGetConnectAttr()</code> • <code>SQLGetStmtAttr()</code> • <code>SQLSetConnectAttr()</code> • <code>SQLSetStmtAttr()</code>
01002	Disconnect error.	<ul style="list-style-type: none"> • <code>SQLDisconnect()</code>

Table 265. SQLSTATE cross reference (continued)

SQLSTATE	Description	Functions
01004	Data truncated.	<ul style="list-style-type: none"> • SQLColAttribute() • SQLDataSources() • SQLDescribeCol() • SQLDriverConnect() • SQLExtendedFetch() • SQLFetch() • SQLGetConnectAttr() • SQLGetCursorName() • SQLGetData() • SQLGetDiagRec() • SQLGetInfo() • SQLGetStmtAttr() • SQLGetSubString() • SQLNativeSql() • SQLPutData() • SQLSetColAttributes()
01504	The UPDATE or DELETE statement does not include a WHERE clause.	<ul style="list-style-type: none"> • SQLExecDirect() • SQLExecute() • SQLPrepare()
01S00	Invalid connection string attribute.	<ul style="list-style-type: none"> • SQLDriverConnect()
01S01	Error in row.	<ul style="list-style-type: none"> • SQLExtendedFetch()
01S02	Option value changed.	<ul style="list-style-type: none"> • SQLDriverConnect() • SQLSetConnectAttr() • SQLSetStmtAttr()
07001	Wrong number of parameters.	<ul style="list-style-type: none"> • SQLExecDirect() • SQLExecute()
07002	Too many columns.	<ul style="list-style-type: none"> • SQLExtendedFetch() • SQLFetch()
07005	The statement did not return a result set.	<ul style="list-style-type: none"> • SQLColAttribute() • SQLDescribeCol()

Table 265. *SQLSTATE* cross reference (continued)

SQLSTATE	Description	Functions
07006	Invalid conversion.	<ul style="list-style-type: none">• SQLBindParameter()• SQLExecDirect()• SQLExecute()• SQLExtendedFetch()• SQLFetch()• SQLGetData()• SQLGetLength()• SQLGetPosition()• SQLGetSubString()
08001	Unable to connect to data source.	<ul style="list-style-type: none">• SQLConnect()
08002	Connection in use.	<ul style="list-style-type: none">• SQLConnect()
08003	Connection is closed.	<ul style="list-style-type: none">• SQLAllocHandle()• SQLDisconnect()• SQLEndTran()• SQLFreeHandle()• SQLGetConnectAttr()• SQLGetInfo()• SQLNativeSql()• SQLSetConnectAttr()• SQLSetConnection()
08004	The application server rejected establishment of the connection.	<ul style="list-style-type: none">• SQLConnect()
08007	Connection failure during transaction.	<ul style="list-style-type: none">• SQLEndTran()

Table 265. SQLSTATE cross reference (continued)

SQLSTATE	Description	Functions
08S01	Communication link failure.	<ul style="list-style-type: none"> • SQLBindCol() • SQLBindFileToCol() • SQLBindParameter() • SQLBindFileToParameter() • SQLCancel() • SQLColumnPrivileges() • SQLColumns() • SQLDescribeCol() • SQLExecDirect() • SQLExecute() • SQLExtendedFetch() • SQLFetch() • SQLForeignKeys() • SQLFreeStmt() • SQLGetCursorName() • SQLGetData() • SQLGetFunctions() • SQLGetInfo() • SQLGetLength() • SQLGetPosition() • SQLGetSubString() • SQLGetTypeInfo() • SQLMoreResults() • SQLNumParams() • SQLNumResultCols() • SQLParamData() • SQLParamOptions() • SQLPrepare() • SQLPrimaryKeys() • SQLProcedureColumns() • SQLProcedures() • SQLPutData() • SQLRowCount() • SQLSetColAttributes() • SQLSetCursorName() • SQLSetConnectAttr() • SQLSetStmtAttr() • SQLSpecialColumns() • SQLStatistics() • SQLTablePrivileges() • SQLTables()

Table 265. SQLSTATE cross reference (continued)

SQLSTATE	Description	Functions
0F001	The LOB token variable does not currently represent any value.	<ul style="list-style-type: none"> • SQLGetLength() • SQLGetPosition() • SQLGetSubString()
21S01	Insert value list does not match column list.	<ul style="list-style-type: none"> • SQLExecDirect() • SQLExecute() • SQLPrepare()
21S02	Degrees of derived table does not match column list.	<ul style="list-style-type: none"> • SQLExecDirect() • SQLExecute() • SQLPrepare()
22001	String data right truncation.	<ul style="list-style-type: none"> • SQLExecDirect() • SQLExecute() • SQLPutData()
22002	Invalid output or indicator buffer specified.	<ul style="list-style-type: none"> • SQLExtendedFetch() • SQLFetch() • SQLGetData()
22008	Invalid datetime format or datetime field overflow.	<ul style="list-style-type: none"> • SQLExecDirect() • SQLExecute() • SQLParamData() • SQLExtendedFetch() • SQLFetch() • SQLGetData() • SQLPutData()
22011	A substring error occurred.	<ul style="list-style-type: none"> • SQLGetSubString()
22012	Division by zero is invalid.	<ul style="list-style-type: none"> • SQLExecDirect() • SQLExecute() • SQLExtendedFetch() • SQLFetch()
22018	Error in assignment.	<ul style="list-style-type: none"> • SQLExecDirect() • SQLExecute() • SQLExtendedFetch() • SQLFetch() • SQLGetData() • SQLPutData()
23000	Integrity constraint violation.	<ul style="list-style-type: none"> • SQLExecDirect() • SQLExecute()

Table 265. SQLSTATE cross reference (continued)

SQLSTATE	Description	Functions
24000	Invalid cursor state.	<ul style="list-style-type: none"> • SQLCloseCursor() • SQLColumnPrivileges() • SQLColumns() • SQLExecDirect() • SQLExecute() • SQLExtendedFetch() • SQLFetch() • SQLForeignKeys() • SQLGetData() • SQLGetStmtAttr() • SQLGetTypeInfo() • SQLPrepare() • SQLPrimaryKeys() • SQLProcedureColumns() • SQLProcedures() • SQLSetColAttributes() • SQLSetStmtAttr() • SQLSpecialColumns() • SQLStatistics() • SQLTablePrivileges() • SQLTables()
24504	The cursor identified in the UPDATE, DELETE, SET, or GET statement is not positioned on a row.	<ul style="list-style-type: none"> • SQLExecDirect() • SQLExecute()
25000 25501	Invalid transaction state.	<ul style="list-style-type: none"> • SQLDisconnect()
34000	Invalid cursor name.	<ul style="list-style-type: none"> • SQLExecDirect() • SQLExecute() • SQLPrepare() • SQLSetCursorName()
37xxx	Invalid SQL syntax.	<ul style="list-style-type: none"> • SQLExecDirect() • SQLExecute() • SQLNativeSql() • SQLPrepare()
40001	Transaction rollback.	<ul style="list-style-type: none"> • SQLEndTran() • SQLExecDirect() • SQLExecute() • SQLParamData() • SQLPrepare()

Table 265. SQLSTATE cross reference (continued)

SQLSTATE	Description	Functions
42xxx	Syntax error or access rule violation	<ul style="list-style-type: none"> • SQLExecDirect() • SQLExecute() • SQLPrepare()
42000	Invalid SQL syntax.	<ul style="list-style-type: none"> • SQLNativeSql()
425xx	Syntax error or access rule violation	<ul style="list-style-type: none"> • SQLExecDirect() • SQLExecute() • SQLPrepare()
42601	PARMLIST syntax error.	<ul style="list-style-type: none"> • SQLProcedureColumns()
42818	The operands of an operator or function are not compatible.	<ul style="list-style-type: none"> • SQLGetPosition()
42895	The value of a host variable in the EXECUTE or OPEN statement cannot be used because of its data type	<ul style="list-style-type: none"> • SQLExecDirect() • SQLExecute()
42S01 ¹	Database object already exists.	<ul style="list-style-type: none"> • SQLExecDirect() • SQLExecute() • SQLPrepare()
42S02	Database object does not exist.	<ul style="list-style-type: none"> • SQLExecDirect() • SQLExecute() • SQLPrepare()
42S11	Index already exists.	<ul style="list-style-type: none"> • SQLExecDirect() • SQLExecute() • SQLPrepare()
42S12	Index not found.	<ul style="list-style-type: none"> • SQLExecDirect() • SQLExecute() • SQLPrepare()
42S21	Column already exists.	<ul style="list-style-type: none"> • SQLExecDirect() • SQLExecute() • SQLPrepare()
42S22	Column not found.	<ul style="list-style-type: none"> • SQLExecDirect() • SQLExecute() • SQLPrepare()
44000	Integrity constraint violation.	<ul style="list-style-type: none"> • SQLExecDirect() • SQLExecute()
54028	The maximum number of concurrent LOB handles has been reached.	<ul style="list-style-type: none"> • SQLFetch()

Table 265. SQLSTATE cross reference (continued)

SQLSTATE	Description	Functions
58004	Unexpected system failure.	<ul style="list-style-type: none"> • SQLBindCol() • SQLBindFileToCol() • SQLBindFileToParam() • SQLBindParameter() • SQLConnect() • SQLDriverConnect() • SQLDataSources() • SQLDescribeCol() • SQLDisconnect() • SQLExecDirect() • SQLExecute() • SQLExtendedFetch() • SQLFetch() • SQLFreeStmt() • SQLGetCursorName() • SQLGetData() • SQLGetFunctions() • SQLGetInfo() • SQLGetLength() • SQLGetPosition() • SQLGetSubString() • SQLMoreResults() • SQLNumResultCols() • SQLPrepare() • SQLRowCount() • SQLSetCursorName()
HY000 ²	General error.	<ul style="list-style-type: none"> • SQLAllocHandle() • SQLCloseCursor() • SQLColAttribute() • SQLDescribeParam() • SQLEndTran() • SQLFreeHandle() • SQLGetConnectAttr() • SQLGetStmtAttr() • SQLSetColAttributes() • SQLSetConnection() • SQLSetStmtAttr()
HY001	Memory allocation failure.	All functions.

Table 265. SQLSTATE cross reference (continued)

SQLSTATE	Description	Functions
HY002	Invalid column number.	<ul style="list-style-type: none"> • SQLBindCol() • SQLBindFileToCol() • SQLColAttribute() • SQLDescribeCol() • SQLExtendedFetch() • SQLFetch() • SQLGetData() • SQLSetColAttributes()
HY003	Program type out of range.	<ul style="list-style-type: none"> • SQLBindCol() • SQLBindParameter() • SQLGetData() • SQLGetLength() • SQLGetSubString()
HY004	Invalid SQL data type.	<ul style="list-style-type: none"> • SQLBindParameter() • SQLGetTypeInfo()
HY009	Invalid use of a null pointer.	<ul style="list-style-type: none"> • SQLAllocHandle() • SQLBindFileToCol() • SQLBindFileToParam() • SQLBindParameter() • SQLColumnPrivileges() • SQLExecDirect() • SQLForeignKeys() • SQLGetData() • SQLGetFunctions() • SQLGetInfo() • SQLGetLength() • SQLGetPosition() • SQLNativeSql() • SQLNumParams() • SQLNumResultCols() • SQLPrepare() • SQLPutData() • SQLSetCursorName() • SQLSetConnectAttr() • SQLSetEnvAttr() • SQLSetStmtAttr()

Table 265. SQLSTATE cross reference (continued)

SQLSTATE	Description	Functions
HY010	Function sequence error.	<ul style="list-style-type: none"> • SQLBindCol() • SQLBindFileToCol() • SQLBindFileToParam() • SQLBindParameter() • SQLCloseCursor() • SQLColAttribute() • SQLColumns() • SQLDescribeCol() • SQLDescribeParam() • SQLDisconnect() • SQLEndTran() • SQLExecute() • SQLExtendedFetch() • SQLFetch() • SQLForeignKeys() • SQLFreeHandle() • SQLFreeStmt() • SQLGetCursorName() • SQLGetData() • SQLGetFunctions() • SQLGetStmtAttr() • SQLGetTypeInfo() • SQLMoreResults() • SQLNumParams() • SQLNumResultCols() • SQLParamData() • SQLParamOptions() • SQLPrepare() • SQLPrimaryKeys() • SQLProcedureColumns() • SQLProcedures() • SQLPutData() • SQLRowCount() • SQLSetColAttributes() • SQLSetConnectAttr() • SQLSetCursorName() • SQLSetStmtAttr() • SQLSpecialColumns() • SQLStatistics() • SQLTablePrivileges() • SQLTables()

Table 265. SQLSTATE cross reference (continued)

SQLSTATE	Description	Functions
HY011	Operation invalid at this time.	<ul style="list-style-type: none">• SQLSetConnectAttr()• SQLSetEnvAttr()• SQLSetStmtAttr()
HY012	Invalid transaction code.	<ul style="list-style-type: none">• SQLEndTran()
HY013	Unexpected memory handling error.	<ul style="list-style-type: none">• SQLAllocHandle()• SQLBindCol()• SQLBindFileToCol()• SQLBindFileToParam()• SQLBindParameter()• SQLCancel()• SQLCloseCursor()• SQLConnect()• SQLDataSources()• SQLDescribeCol()• SQLDisconnect()• SQLExecDirect()• SQLExecute()• SQLExtendedFetch()• SQLFetch()• SQLFreeHandle()• SQLGetCursorName()• SQLGetData()• SQLGetFunctions()• SQLGetLength()• SQLGetPosition()• SQLGetStmtAttr()• SQLGetSubString()• SQLMoreResults()• SQLNumParams()• SQLNumResultCols()• SQLPrepare()• SQLRowCount()• SQLSetColAttributes()• SQLSetCursorName()

Table 265. SQLSTATE cross reference (continued)

SQLSTATE	Description	Functions
HY014	No more handles.	<ul style="list-style-type: none">• SQLAllocHandle()• SQLColumnPrivileges()• SQLColumns()• SQLExecDirect()• SQLExecute()• SQLForeignKeys()• SQLPrepare()• SQLPrimaryKeys()• SQLProcedureColumns()• SQLProcedures()• SQLSpecialColumns()• SQLStatistics()• SQLTablePrivileges()• SQLTables()
HY015	No cursor name available.	<ul style="list-style-type: none">• SQLGetCursorName()
HY019	Numeric value out of range.	<ul style="list-style-type: none">• SQLExecDirect()• SQLExecute()• SQLExtendedFetch()• SQLFetch()• SQLGetData()• SQLPutData()
HY024	Invalid argument value.	<ul style="list-style-type: none">• SQLConnect()• SQLGetSubString()• SQLSetConnectAttr()• SQLSetEnvAttr()• SQLSetStmtAttr()

Table 265. SQLSTATE cross reference (continued)

SQLSTATE	Description	Functions
HY090	Invalid string or buffer length.	<ul style="list-style-type: none"> • SQLBindCol() • SQLBindFileToCol() • SQLBindFileToParam() • SQLBindParameter() • SQLColAttribute() • SQLColumnPrivileges() • SQLColumns() • SQLConnect() • SQLDataSources() • SQLDescribeCol() • SQLDriverConnect() • SQLExecDirect() • SQLParamData() • SQLForeignKeys() • SQLGetConnectAttr() • SQLGetCursorName() • SQLGetData() • SQLGetInfo() • SQLGetPosition() • SQLGetStmtAttr() • SQLGetSubString() • SQLNativeSql() • SQLPrepare() • SQLPrimaryKeys() • SQLProcedures() • SQLProcedureColumns() • SQLPutData() • SQLSetColAttributes() • SQLSetConnectAttr() • SQLSetCursorName() • SQLSetEnvAttr() • SQLSetStmtAttr() • SQLSpecialColumns() • SQLStatistics() • SQLTables() • SQLTablePrivileges()
HY091	Descriptor type out of range.	<ul style="list-style-type: none"> • SQLColAttribute()

Table 265. SQLSTATE cross reference (continued)

SQLSTATE	Description	Functions
HY092	Option type out of range.	<ul style="list-style-type: none"> • SQLAllocHandle() • SQLEndTran() • SQLFreeStmt() • SQLGetConnectAttr() • SQLGetCursorName() • SQLGetEnvAttr() • SQLGetStmtAttr() • SQLSetConnectAttr() • SQLSetEnvAttr() • SQLSetStmtAttr()
HY093	Invalid parameter number.	<ul style="list-style-type: none"> • SQLBindFileToCol() • SQLBindFileToParam() • SQLBindParameter() • SQLDescribeParam()
HY096	Information type out of range.	<ul style="list-style-type: none"> • SQLGetInfo()
HY097	Column type out of range.	<ul style="list-style-type: none"> • SQLSpecialColumns()
HY098	Scope type out of range.	<ul style="list-style-type: none"> • SQLSpecialColumns()
HY099	Nullable type out of range.	<ul style="list-style-type: none"> • SQLSpecialColumns()
HY100	Uniqueness option type out of range.	<ul style="list-style-type: none"> • SQLStatistics()
HY101	Accuracy option type out of range.	<ul style="list-style-type: none"> • SQLStatistics()
HY103	Direction option out of range.	<ul style="list-style-type: none"> • SQLDataSources()
HY104	Invalid precision value.	<ul style="list-style-type: none"> • SQLBindParameter() • SQLSetColAttributes()
HY105	Invalid parameter type.	<ul style="list-style-type: none"> • SQLBindParameter()
HY106	Fetch type out of range.	<ul style="list-style-type: none"> • SQLExtendedFetch()
HY107	Row value out of range.	<ul style="list-style-type: none"> • SQLParamOptions()
HY109	Invalid cursor position.	<ul style="list-style-type: none"> • SQLGetStmtAttr()
HY110	Invalid driver completion.	<ul style="list-style-type: none"> • SQLDriverConnect()
HY501	Invalid data source name.	<ul style="list-style-type: none"> • SQLConnect()
HY506	Error closing a file.	<ul style="list-style-type: none"> • SQLFreeHandle()

Table 265. SQLSTATE cross reference (continued)

SQLSTATE	Description	Functions
HYC00	Driver not capable.	<ul style="list-style-type: none"> • SQLBindCol() • SQLBindFileToCol() • SQLBindFileToParam() • SQLBindParameter() • SQLColAttribute() • SQLColumnPrivileges() • SQLColumns() • SQLDescribeCol() • SQLDescribeParam() • SQLExtendedFetch() • SQLFetch() • SQLForeignKeys() • SQLGetConnectAttr() • SQLGetData() • SQLGetInfo() • SQLGetLength() • SQLGetPosition() • SQLGetStmtAttr() • SQLGetSubString() • SQLPrimaryKeys() • SQLProcedureColumns() • SQLProcedures() • SQLSetConnectAttr() • SQLSetEnvAttr() • SQLSetStmtAttr() • SQLSpecialColumns() • SQLStatistics() • SQLTables() • SQLTablePrivileges()

Notes:

1. **42Sxx** SQLSTATEs replace **S00xx** SQLSTATEs.
2. **HYxxx** SQLSTATEs replace **S1xxx** SQLSTATEs.

Related reference

[Deprecated ODBC functions and their replacements](#)

The ODBC 3.0 functions replace, or *deprecate*, many existing ODBC 2.0 functions. The Db2 ODBC driver continues to support all of the deprecated functions.

[SQLSTATE mappings](#)

Several SQLSTATEs differ when you call `SQLGetDiagRec()` or `SQLERROR()` under an ODBC 3.0 driver. All deprecated functions continue to return ODBC 2.0 SQLSTATEs regardless of which environment attributes are set.

Related information

ODBC functions

Db2 ODBC provides various SQL-related functions with unique purposes, diagnostics, and restrictions.

Data conversion between the application and the database server

Data conversion is possible between C and SQL data types. You need to know the precision, scale, length, and display size of each data type. In addition, you will also need to know how to convert from one data type to the other.

Identifiers for date, time, and timestamp data types have also changed in ODBC 3.0.

Related reference

[C and SQL data types](#)

Db2 ODBC defines a set of SQL symbolic data types. Each SQL symbolic data type has a corresponding default C data type.

[Data conversion](#)

Db2 ODBC manages the transfer and any required conversion of data between the application and the database server. However, not all data conversions are supported.

[Changes to datetime data types](#)

The ODBC driver supports both ODBC 2.0 and ODBC 3.0 datetime values for input. For output, the ODBC driver determines the value to return based on the setting of the environment attribute.

SQL data type attributes

SQL data type attributes include the precision, scale, length, and display size of this data type.

Precision of SQL data types

The precision of a numeric column or parameter refers to the maximum number of digits that are used by the data type of the column or parameter. The precision of a non-numeric column or parameter generally refers to the maximum length or the defined length of the column or parameter.

The following table defines the precision for each SQL data type.

fSqlType	Precision
SQL_CHAR SQL_VARCHAR SQL_CLOB	The defined number of characters for the column or parameter. For example, the precision of a column defined as CHAR(10) is 10.
SQL_LONGVARCHAR	The maximum length, in characters, of the column or parameter. ¹
SQL_DECIMAL SQL_NUMERIC	The defined maximum number of digits. For example, the precision of a column defined as NUMERIC(10,3) is 10.
SQL_DECFLOAT	16 if the column is defined as DECFLOAT(16). 34 if the column is defined as DECFLOAT(34).
SQL_SMALLINT ²	5
SQL_INTEGER ²	10
SQL_BIGINT ²	19

Table 266. Precision of SQL data types (continued)

SQLType	Precision
SQL_FLOAT ²	15
SQL_REAL ²	7
SQL_ROWID	40
SQL_DOUBLE ²	15
SQL_BINARY SQL_VARBINARY SQL_BLOB	The defined length, in characters, of the column or parameter. For example, the precision of a column defined as CHAR(10) FOR BIT DATA, is 10.
SQL_LONGVARBINARY	The maximum length, in characters, of the column or parameter.
SQL_TYPE_DATE ²	10 (the number of characters in the yyyy-mm-dd format).
SQL_TYPE_TIME ²	8 (the number of characters in the hh:mm:ss format).
SQL_TYPE_TIMESTAMP	The number of characters in the #yyyy-mm-dd hh:mm:ss[.fffffffffff]" or #yyyy-mm-dd.hh.mm.ss[.fffffffffff]" format that is used by the TIMESTAMP data type. For example, if a timestamp does not use seconds or fractional seconds, the precision is 16 (the number of characters in the "yyyy-mm-dd hh:mm" format). If a timestamp uses millionths of a second, the precision is 26 (the number of characters in the "yyyy-mm-dd hh:mm:ss.fffff" format). The maximum for fractional seconds is 12 digits.
SQL_TYPE_TIME- STAMP_WITH_TIMEZONE	The number of characters in the "yyyy-mm-dd hh:mm:ss[.fffffffffff] ±hh:mm" or "yyyy-mm-dd-hh.mm.ss[.fffffffffff]±hh:mm" format used by the TIMESTAMP(integer) WITH TIME ZONE data type. If the scale of the timestamp is 0, the precision is 25 (19 bytes timestamp followed by 6 bytes time zone). If the scale is greater than 0, the precision is 26 (an extra period to separate seconds from fractional seconds) plus the scale of the timestamp.
SQL_GRAPHIC SQL_VARGRAPHIC SQL_DBCLOB	The defined length, in characters, of the column or parameter. For example, the precision of a column defined as GRAPHIC(10) is 10.
SQL_LONGVARGRAPHIC	The maximum length, in characters, of the column or parameter.
SQL_XML ²	0

Notes:

1. When defining the precision of a parameter of this data type with `SQLBindParameter()`, `cbColDef` should be set to the total length in bytes of the data, not the precision as defined in this table.
2. The `cbColDef` argument of `SQLBindParameter()` is ignored for this data type.

Scale of SQL data types

The scale of a numeric column or parameter refers to the maximum number of digits to the right of the decimal point. For approximate floating-point number columns or parameters, the scale is undefined because the number of digits to the right of the decimal place is not fixed.

The following table defines the scale for each SQL data type

Table 267. Scale of SQL data types

fSqlType	Scale
SQL_CHAR SQL_VARCHAR SQL_LONGVARCHAR SQL_CLOB	Not applicable.
SQL_DECIMAL SQL_NUMERIC	The defined number of digits to the right of the decimal place. For example, the scale of a column defined as NUMERIC(10,3) is 3.
SQL_SMALLINT SQL_INTEGER SQL_BIGINT	0
SQL_DECFLOAT	Not applicable.
SQL_REAL SQL_FLOAT SQL_DOUBLE	Not applicable.
SQL_ROWID	Not applicable.
SQL_BINARY SQL_VARBINARY SQL_LONGVARBINARY SQL_BLOB	Not applicable.
SQL_TYPE_DATE SQL_TYPE_TIME	Not applicable.
SQL_TYPE_TIMESTAMP	The number of digits to the right of the decimal point in the #yyyy-mm-dd hh:mm:ss[fffffffffff]” format. For example, if the TIMESTAMP data type uses the "yyyy-mm-dd hh:mm:ss.fff” format, the scale is 3. The maximum for fractional seconds is 12 digits. You can retrieve the scale through the <i>piScale</i> argument of SQLDescribeCol().
SQL_TYPE_TIME- STAMP_WITH_TIMEZONE	The number of fractional digits to the right of the decimal point in the "yyyy-mm-dd hh:mm:ss.ff+hh:mm" or "yyyy-mm-dd-hh.mm.ss.ff+hh:mm" format. For example, if the TIMESTAMP WITH TIME ZONE data type uses the "yyyy-mm-dd hh:mm:ss.ff+hh:mm" format, the scale is 2. The maximum for fractional seconds is 12 digits. You can retrieve the scale through the <i>piScale</i> argument of SQLDescribeCol().
SQL_GRAPHIC SQL_VARGRAPHIC SQL_LONGVARGRAPHIC SQL_DBCLOB	Not applicable.
SQL_XML	0

Length of SQL data types

The length of a column is the maximum number of bytes that are returned to the application when data is transferred to its default C data type.

For character data, the length does not include the null-termination character. Note that the length of a column can be different than the number of bytes that are required to store the data on the data source.

The following table defines the length for each SQL data type.

Table 268. Length of SQL data types

fSqlType	Length
SQL_CHAR, SQL_VARCHAR SQL_CLOB	The defined length, in bytes, of the column. For example, the length of a column defined as CHAR(10) is 10.
SQL_LONGVARCHAR	The maximum length, in bytes, of the column.
SQL_DECIMAL, SQL_NUMERIC	The maximum number of digits plus two bytes. Because these data types are returned as character strings, characters are needed for the digits, a sign, and a decimal point. For example, the length of a column defined as NUMERIC(10,3) is 12.
SQL_SMALLINT	2 bytes
SQL_INTEGER	4 bytes
SQL_BIGINT	8 bytes
SQL_REAL	4 bytes
SQL_ROWID	40 bytes
SQL_FLOAT	8 bytes
SQL_DOUBLE	8 bytes
SQL_DECFLOAT	23 bytes for DECFLOAT(16). 42 bytes for DECFLOAT(34).
SQL_BINARY, SQL_VARBINARY SQL_BLOB	The defined length, in bytes, of the column. For example, the length of a column defined as CHAR(10) FOR BIT DATA is 10.
SQL_LONGVARBINARY	The maximum length, in bytes, of the column.
SQL_TYPE_DATE, SQL_TYPE_TIME	6 bytes (the size of the DATE_STRUCT or TIME_STRUCT structure).
SQL_TYPE_TIMESTAMP	20 bytes (the size of the TIMESTAMP_STRUCT structure).
SQL_TYPE_TIME- STAMP_WITH_TIMEZONE	The maximum number of bytes of the default C data type, which is SQL_C_TYPE_TIMESTAMP_EXT_TZ. The length is 24 bytes.
SQL_GRAPHIC, SQL_VARGRAPHIC, SQL_DBCLOB	The defined length of the column times 2 bytes. For example, the length of a column defined as GRAPHIC(10) is 20.
SQL_LONGVARGRAPHIC	The maximum length of the column times 2 bytes.
SQL_XML	0 bytes. However, stored XML documents are limited to a maximum size of 2 GB.

Display size of SQL data types

The display size of a column is the maximum number of bytes that are needed to display data in character form.

The following table defines the display size for each SQL data type

Table 269. Display size of SQL data types

fSqlType	Display size
SQL_CHAR SQL_VARCHAR, SQL_CLOB	The defined length, in bytes, of the column. For example, the display size of a column defined as CHAR(10) is 10.
SQL_LONGVARCHAR	The maximum length, in bytes, of the column.
SQL_DECFLOAT	23 bytes if the column is defined as DECFLOAT(16). 42 bytes if the column is defined as DECFLOAT(34).
SQL_DECIMAL, SQL_NUMERIC	The precision of the column plus two bytes (a sign, precision digits, and a decimal point). For example, the display size of a column defined as NUMERIC(10,3) is 12.
SQL_SMALLINT	6 bytes (a sign and 5 digits).
SQL_INTEGER	11 bytes (a sign and 10 digits).
SQL_BIGINT	20 bytes (a sign and 19 digits).
SQL_REAL	13 bytes (a sign, 7 digits, a decimal point, the letter E, a sign, and 2 digits).
SQL_ROWID	40 bytes
SQL_FLOAT, SQL_DOUBLE	22 bytes (a sign, 15 digits, a decimal point, the letter E, a sign, and 3 digits).
SQL_BINARY, SQL_VARBINARY, SQL_BLOB	The defined length of the column times 2 bytes. (Each binary byte is represented by a 2 digit hexadecimal number.) For example, the display size of a column defined as CHAR(10) FOR BIT DATA is 20.
SQL_LONGVARBINARY	The maximum length of the column times 2 bytes.
SQL_TYPE_DATE	10 bytes (a date in the format yyyy-mm-dd).
SQL_TYPE_TIME	8 bytes (a time in the format hh:mm:ss).
SQL_TYPE_TIMESTAMP	19 bytes (if the scale of the timestamp is 0) or 20 bytes plus the scale of the timestamp (if the scale is greater than 0). This value is the number of characters in the #yyyy-mm-dd hh:mm:ss[.fffffffffff] or #yyyy-mm-dd.hh.mm.ss[.fffffffffff] format. For example, the display size of a column storing millionths of a second is 23 bytes (the number of characters in "yyyy-mm-dd hh:mm:ss.ffffff"). The maximum for fractional seconds is 12 digits. You can retrieve the display size of a timestamp column through the COLUMN_SIZE column that is returned by SQLColumns() or SQLSpecialColumns(). You can retrieve the display size of a SQL_TYPE_TIMESTAMP stored procedure parameter through the COLUMN_SIZE column that is returned by SQLProcedureColumns().
SQL_TYPE_TIME- STAMP_WITH_TIMEZONE	25 bytes (if the scale of the timestamp is 0) or 26 bytes plus the scale of the timestamp (if the scale is greater than 0). This value is the number of characters in the "yyyy-mm-dd hh:mm:ss[.fffffffffff]±hh:mm" or "yyyy-mm-dd-hh.mm.ss[.fffffffffff]±hh:mm" format. The maximum for fractional seconds is 12 digits. You can retrieve the display size of a timestamp with time zone column through the COLUMN_SIZE column that is returned by SQLColumns() or SQLSpecialColumns(). You can retrieve the display size of a SQL_TYPE_TIMESTAMP_WITH_TIMEZONE stored procedure parameter through the COLUMN_SIZE column that is returned by SQLProcedureColumns().

Table 269. Display size of SQL data types (continued)

fSqlType	Display size
SQL_GRAPHIC, SQL_VARGRAPHIC, SQL_DBCLOB	The defined length of the column or parameter times two bytes. For example, the display size of a column defined as GRAPHIC(10) is 20 bytes.
SQL_LONGVARGRAPHIC	The maximum length, in bytes, of the column or parameter.
SQL_XML	0

SQL to C data conversion

To convert SQL data types to C data types, you need to know the arguments: *fCType*, *cbValueMax*, *rgbValue*, and *pcbValue*. The SQLSTATE for each conversion outcome is returned.

For each SQL data conversion type, a table lists conversion information. Each column in these tables lists the following information:

- The first column of the table lists the legal input values of the *fCType* argument in `SQLBindCol()` and `SQLGetData()`.
- The second column lists the outcomes of a test, often using the *cbValueMax* argument specified in `SQLBindCol()` or `SQLGetData()`, which the driver performs to determine if it can convert the data.
- The third and fourth columns list the values (for each outcome) of the *rgbValue* and *pcbValue* arguments specified in the `SQLBindCol()` or `SQLGetData()` after the driver has attempted to convert the data.
- The last column lists the SQLSTATE returned for each outcome by `SQLFetch()`, `SQLExtendedFetch()`, or `SQLGetData()`.

The tables list the conversions defined by ODBC to be valid for a given SQL data type.

If the *fCType* argument in `SQLBindCol()` or `SQLGetData()` contains a value not shown in the table for a given SQL data type, `SQLFetch()`, or `SQLGetData()` returns the SQLSTATE 07006 (restricted data type attribute violation).

If the *fCType* argument contains a value shown in the table but which specifies a conversion not supported by the driver, `SQLFetch()`, or `SQLGetData()` returns SQLSTATE HYC00 (driver not capable).

Though it is not shown in the tables, the *pcbValue* argument contains SQL_NULL_DATA when the SQL data value is null. For an explanation of the use of *pcbValue* when multiple calls are made to retrieve data, see `SQLGetData()`.

When SQL data is converted to character C data, the character count returned in *pcbValue* does not include the nul-termination character. If *rgbValue* is a null pointer, `SQLBindCol()` or `SQLGetData()` returns SQLSTATE HY009 (Invalid argument value).

In the following tables:

Data length

The total length, in bytes, of the data after it has been converted to the specified C data type (excluding the nul-termination character if the data was converted to a string). This is true even if data is truncated before it is returned to the application.

Significant digits

The minus sign (if needed) and the digits to the left of the decimal point.

Display size

The total number of bytes needed to display data in the character format.

SQL to C conversion for character data

The character SQL data types that you can convert to C data types are SQL_CHAR, SQL_VARCHAR, SQL_LONGVARCHAR, and SQL_CLOB.

The following table shows information about converting character SQL data to C data.

fCType	Test	rgbValue	pcbValue	SQLSTATE
SQL_C_CHAR SQL_C_WCHAR	Data length < cbValueMax	Data	Data length (in bytes) ^{“1” on page 561}	00000 ^{“2” on page 561}
	Data length >= cbValueMax	Truncated data	Data length (in bytes)	01004
SQL_C_BINARY	Data length <= cbValueMax	Data	Data length (in bytes)	00000 ^{“2” on page 561}
	Data length > cbValueMax	Truncated data	Data length (in bytes)	01004
SQL_C_DECIMAL64 SQL_C_DECIMAL128	Data converted without truncation	Data	Data length (in bytes)	00000 ^{“1” on page 561}
	Data is not a number	Untouched	Data length (in bytes)	22005 ^{“3” on page 561}
SQL_C_SHORT SQL_C_LONG SQL_C_BIGINT SQL_C_FLOAT SQL_C_DOUBLE SQL_C_TINYINT SQL_C_BIT	Data converted without truncation ^{“3” on page 561}	Data	Size (in bytes) of the C data type	00000 ^{“2” on page 561}
	Data converted with truncation, but without loss of significant digits ^{“3” on page 561}	Data	Size (in bytes) of the C data type	01004
	Conversion of data would result in loss of significant digits ^{“3” on page 561}	Untouched	Size (in bytes) of the C data type	22003
	Data is not a number ^{“3” on page 561}	Untouched	Size (in bytes) of the C data type	22005
SQL_C_TYPE_DATE	Data value is a valid date ^{“3” on page 561}	Data	6 ^{“4” on page 561}	00000 ^{“2” on page 561}
	Data value is not a valid date ^{“3” on page 561}	Untouched	6 ^{“4” on page 561}	22008
SQL_C_TYPE_TIME	Data value is a valid time ^{“3” on page 561}	Data	6 ^{“4” on page 561}	00000 ^{“2” on page 561}
	Data value is not a valid time ^{“3” on page 561}	Untouched	6 ^{“4” on page 561}	22008
SQL_C_TYPE_TIMESTAMP	Data value is a valid timestamp ^{“3” on page 561}	Data	16 ^{“4” on page 561}	00000 ^{“2” on page 561}
	Data value is not a valid timestamp ^{“3” on page 561}	Untouched	16 ^{“4” on page 561}	22008

Table 270. Converting character SQL data to C data (continued)

fCType	Test	rgbValue	pcbValue	SQLSTATE
SQL_C_TYPE_TIME- STAMP_EXT	Data value is a valid timestamp ^{“3”} on page 561	Data	20 ^{“4”} on page 561	00000 ^{“2”} on page 561
	Data value is not a valid timestamp ^{“3”} on page 561	Untouched	20 ^{“4”} on page 561	22008
SQL_C_TYPE_TIME- STAMP_EXT_TZ	Data value is a valid timestamp with time zone ^{“3”} on page 561	Data	24 ^{“4”} on page 561	00000 ^{“2”} on page 561
	Data value is not a valid timestamp with time zone ^{“3”} on page 561	Untouched	24 ^{“4”} on page 561	22008
	Data value is a valid timestamp, and time zone fields are not specified ^{“3”} on page 561, ^{“5”} on page 561	Untouched	24 ^{“4”} on page 561	00000 ^{“2”} on page 561

Notes:

1. For the SQL_C_WCHAR data type, the data length is the number of bytes of UCS-2 Unicode data.
2. SQLSTATE 00000 is not returned by SQLGetDiagRec(), rather it is indicated when the function returns SQL_SUCCESS.
3. The value of *cbValueMax* is ignored for this conversion. The driver assumes that the size of *rgbValue* is the size of the C data type.
4. This is the size of the corresponding C data type.
5. The time zone component of TIMESTAMP is set based on either CLIENTTIMEZONE or SESSIONTIMEZONE, or the current system time zone of the machine the application is running on.

Related reference

SQL to C data conversion

To convert SQL data types to C data types, you need to know the arguments: *fCType*, *cbValueMax*, *rgbValue*, and *pcbValue*. The SQLSTATE for each conversion outcome is returned.

SQL to C conversion for graphic data

The graphic SQL data types that you can convert to C data types are SQL_GRAPHIC, SQL_VARGRAPHIC, SQL_LONGVARGRAPHIC, and SQL_DBCLOB.

The following table shows information about converting graphic SQL data to C data.

Table 271. Conversion of graphic SQL data to C data

fCType	Test	rgbValue	pcbValue	SQLSTATE
SQL_C_CHAR	Number of double-byte characters * 2 <= cbValueMax	Data	Length of data (in bytes)	00000 ¹
	Number of double-byte characters * 2 <= cbValueMax	Truncated data, to the nearest even byte that is less than <i>cbValueMax</i> .	Length of data (in bytes)	01004

Table 271. Conversion of graphic SQL data to C data (continued)

fCType	Test	rgbValue	pcbValue	SQLSTATE
SQL_C_DBCHAR SQL_C_WCHAR	Number of double-byte characters * 2 < cbValueMax	Data	Length of data (in bytes)	00000 ¹
	Number of double-byte characters * 2 >= cbValueMax	Truncated <i>cbValueMax</i> . data, to the nearest even byte that is less than <i>cbValueMax</i> .	Length of data (in bytes)	01004

Note:

1. SQLSTATE 00000 is not returned by SQLGetDiagRec(), rather it is indicated when the function returns SQL_SUCCESS.

Related reference

[SQL to C data conversion](#)

To convert SQL data types to C data types, you need to know the arguments: *fCType* , *cbValueMax*, *rgbValue*, and *pcbValue*. The SQLSTATE for each conversion outcome is returned.

SQL to C conversion for numeric data

You can convert numeric SQL data types into C data types.

The numeric SQL data types are:

- SQL_DECIMAL
- SQL_DECFLOAT
- SQL_NUMERIC
- SQL_SMALLINT
- SQL_INTEGER
- SQL_BIGINT
- SQL_REAL
- SQL_FLOAT
- SQL_DOUBLE

The following table shows information about converting numeric SQL data to C data.

Table 272. Conversion of numeric SQL data to C data

fCType	Test	rgbValue	pcbValue	SQLSTATE
SQL_C_CHAR SQL_C_WCHAR	Display size < cbValueMax	Data	Data length (in bytes)	00000 ¹
	Number of significant digits < cbValueMax	Truncated data	Data length (in bytes)	01004
	Number of significant digits >= cbValueMax	Untouched	Data length (in bytes)	22003

Table 272. Conversion of numeric SQL data to C data (continued)

fCType	Test	rgbValue	pcbValue	SQLSTATE
SQL_C_SHORT SQL_C_LONG	Data converted without truncation ²	Data	Size (in bytes) of the C data type	00000 ¹
SQL_C_BIGINT SQL_C_FLOAT SQL_C_DOUBLE	Data converted with truncation, but without loss of significant digits ²	Truncated data	Size (in bytes) of the C data type	01004
SQL_C_TINYINT SQL_C_BIT SQL_C_DECIMAL64 SQL_C_DECIMAL128	Conversion of data would result in loss of significant digits ²	Untouched	Size (in bytes) of the C data type	22003

Notes:

1. SQLSTATE 00000 is not returned by SQLGetDiagRec(), rather it is indicated when the function returns SQL_SUCCESS.
2. The value of *cbValueMax* is ignored for this conversion. The driver assumes that the size of *rgbValue* is the size of the C data type.

Related reference

[SQL to C data conversion](#)

To convert SQL data types to C data types, you need to know the arguments: *fCType*, *cbValueMax*, *rgbValue*, and *pcbValue*. The SQLSTATE for each conversion outcome is returned.

SQL to C conversion for binary data

You can convert binary SQL data types to C data types. The binary SQL data types are SQL_BINARY, SQL_VARBINARY, SQL_LONGVARBINARY, and SQL_BLOB.

The following table shows information about converting binary SQL data to C data.

Table 273. Conversion of binary SQL data to C data

fCType	Test	rgbValue	pcbValue	SQLSTATE
SQL_C_CHAR SQL_C_WCHAR	(Data length) < cbValueMax	Data	Data length (in bytes) ^{“1” on page 563}	N/A
	(Data length) >= cbValueMax	Truncated data	Data length (in bytes)	01004
SQL_C_BINARY	Data length <= cbValueMax	Data	Data length (in bytes)	N/A
	Data length > cbValueMax	Truncated data	Data length (in bytes)	01004

Note:

1. For the SQL_C_WCHAR data type, the data length is the number of bytes of UCS-2 Unicode data.

Related reference

[SQL to C data conversion](#)

To convert SQL data types to C data types, you need to know the arguments: *fCType*, *cbValueMax*, *rgbValue*, and *pcbValue*. The SQLSTATE for each conversion outcome is returned.

SQL to C conversion for date data

You can convert the date SQL data type, SQL_TYPE_DATE, to a C data type.

The following table shows information about converting date SQL data to C data.

Table 274. Conversion of date SQL data to C data

fCType	Test	rgbValue	pcbValue	SQLSTATE
SQL_C_CHAR	cbValueMax >= 11	Data	10	00000 ¹
	cbValueMax < 11	Untouched	10	22003
SQL_C_WCHAR	cbValueMax >= 22	Data	20	00000 ¹
	cbValueMax < 22	Untouched	20	22003
SQL_C_TYPE_DATE	None ²	Data	6 ⁴	00000 ¹
SQL_C_TYPE_TIMESTAMP	None ²	Data ³	16 ⁴	00000 ¹
SQL_C_TYPE_TIME- STAMP_EXT	None ²	Data ^{“5” on page 564}	20 ⁴	00000 ¹
SQL_C_TYPE_TIME- STAMP_EXT_TZ	None ²	Data ^{“6” on page 564}	24 ⁴	00000 ¹
SQL_C_BINARY	Data length <= cbValueMax	Data	Data length (in bytes)	00000 ¹
	Data length > cbValueMax	Untouched	Untouched	22003

Notes:

1. SQLSTATE 00000 is not returned by SQLGetDiagRec(), rather it is indicated when the function returns SQL_SUCCESS.
2. The value of *cbValueMax* is ignored for this conversion. The driver assumes that the size of *rgbValue* is the size of the C data type.
3. The time fields of the TIMESTAMP_STRUCT structure are set to zero.
4. This is the size of the corresponding C data type.
5. The time fields of the TIMESTAMP_STRUCT_EXT structure are set to zero.
6. The time and time zone fields of the TIMESTAMP_STRUCT_EXT_TZ structure are set to zero.

When the date SQL data type is converted to the character C data type, the resulting string is in the "yyyy-mm-dd" format.

Related reference

SQL to C data conversion

To convert SQL data types to C data types, you need to know the arguments: *fCType*, *cbValueMax*, *rgbValue*, and *pcbValue*. The SQLSTATE for each conversion outcome is returned.

SQL to C conversion for time data

You can convert the time SQL data type, SQL_TYPE_TIME, into a C data type.

The following table shows information about converting time SQL data to C data.

Table 275. Conversion of time SQL data to C data

fCType	Test	rgbValue	pcbValue	SQLSTATE
SQL_C_CHAR	cbValueMax >= 9	Data	8	00000 ¹
	cbValueMax < 9	Untouched	8	22003
SQL_C_WCHAR	cbValueMax >= 18	Data	16	00000 ¹
	cbValueMax < 18	Untouched	16	22003
SQL_C_TYPE_TIME	None ²	Data	6 ³	00000 ¹
SQL_C_TYPE_TIMESTAMP	None ²	Data ⁴	16 ³	00000 ¹
SQL_C_TYPE_TIME- STAMP_EXT	None ²	Data ^{“5” on page 565}	20 ³	00000 ¹
SQL_C_TYPE_TIME- STAMP_EXT_TZ	None ²	Data ^{“6” on page 565}	24 ³	00000 ¹

^{“7” on page 565}

Notes:

1. SQLSTATE 00000 is not returned by SQLGetDiagRec(), rather it is indicated when the function returns SQL_SUCCESS.
2. The value of *cbValueMax* is ignored for this conversion. The driver assumes that the size of *rgbValue* is the size of the C data type.
3. This is the size of the corresponding C data type.
4. The date fields of the TIMESTAMP_STRUCT structure are set to the current system date of the machine that the application is running, and the time fraction is set to zero.
5. The time fields of the TIMESTAMP_STRUCT_EXT structure are set to zero.
6. The date fields of the TIMESTAMP_STRUCT_EXT_TZ structure are set to the current system date of the machine that the application is running on, and the time fraction is set to zero.
7. The time zone fields of the TIMESTAMP_STRUCT_EXT_TZ structure are set based on either CLIENTTIMEZONE, SESSIONTIMEZONE, or the current system time zone of the machine on which the application is running.

When the time SQL data type is converted to the character C data type, the resulting string is in the "hh:mm:ss" format.

Related reference

[SQL to C data conversion](#)

To convert SQL data types to C data types, you need to know the arguments: *fCType*, *cbValueMax*, *rgbValue*, and *pcbValue*. The SQLSTATE for each conversion outcome is returned.

SQL to C conversion for timestamp data

You can convert the timestamp SQL data type, SQL_TYPE_TIMESTAMP, to a C data type.

The following table shows information about converting timestamp SQL data to C data.

Table 276. Conversion of timestamp SQL data to C data

fCType	Test	rgbValue	pcbValue	SQLSTATE
SQL_C_CHAR	Display size < cbValueMax	Data	Data length (in bytes)	00000 ¹
	19 <= cbValueMax <= Display size	Truncated data ²	Data length (in bytes)	01004
	cbValueMax < 19	Untouched	Data length (in bytes)	22003
SQL_C_WCHAR	Display size < cbValueMax	Data	Data length (in bytes)	00000 ¹
	38 <= cbValueMax <= Display size	Truncated data ²	Data length (in bytes)	01004
	cbValueMax < 38	Untouched	Data length (in bytes)	22003
SQL_C_TYPE_DATE	None	Truncated data ³	6 ⁴	01004
SQL_C_TYPE_TIME	None ⁵	Truncated data ⁶	6 ⁴	01004
SQL_C_TYPE_TIMESTAMP	None ⁵	Data	16 ⁴	00000 ¹
	Fractional seconds portion of timestamp is truncated. ⁵	Data ²	16	01004
SQL_C_TYPE_TIMESTAMP_EXT	None ⁵	Data	20	00000
SQL_C_TYPE_TIMESTAMP_EXT_TZ	None ⁵	Data	24	00000

Notes:

1. SQLSTATE **00000** is not returned by SQLGetDiagRec(), rather it is indicated when the function returns SQL_SUCCESS.
2. The fractional seconds of the timestamp are truncated.
3. The time portion of the timestamp is deleted.
4. This is the size of the corresponding C data type.
5. The value of *cbValueMax* is ignored for this conversion. The driver assumes that the size of *rgbValue* is the size of the C data type.
6. The date portion of the timestamp is deleted.
7. The time zone fields of the `TIMESTAMP_STRUCT_EXT_TZ` structure are set based on either `CLIENTTIMEZONE`, `SESSIONTIMEZONE`, or the current system time zone of the machine on which the application is running.

When the timestamp SQL data type is converted to the character C data type, the resulting string is in the "yyyy-mm-dd hh:mm:ss[.fff[fff]]" format (regardless of the precision of the timestamp SQL data type).

Related reference

[C to SQL data conversion](#)

To convert C data types to SQL data types, you need to know the arguments: *fSqlType* and *pcbValue*. The SQLSTATE for each conversion outcome is returned.

SQL to C conversion for timestamp_with_timezone data

You can convert the timestamp SQL data type, SQL_TYPE_TIMESTAMP_WITH_TIMEZONE, to a C data type.

The following table shows information about converting timestamp SQL data to C data.

Table 277. Conversion of timestamp SQL data to C data

fCType	Test	rgbValue	pcbValue	SQLSTATE
SQL_C_CHAR	Display size < cbValueMax	Data	Data length (in bytes)	00000 ¹
	19 <= cbValueMax <= Display size	Truncated data ²	Data length (in bytes)	01004
	cbValueMax < 19	Untouched	Data length (in bytes)	22003
SQL_C_WCHAR	Display size < cbValueMax	Data	Data length (in bytes)	00000 ¹
	38 <= cbValueMax <= Display size	Truncated data ²	Data length (in bytes)	01004
	cbValueMax < 38	Untouched	Data length (in bytes)	22003
SQL_C_TYPE_DATE	None	Truncated data ³	6 ⁴	01004
SQL_C_TYPE_TIME	None ⁵	Truncated data ⁶	6 ⁴	01004
SQL_C_TYPE_TIMESTAMP	None ⁵	Data	16 ⁴	00000 ¹
	Fractional seconds portion of timestamp is truncated. ⁵	Data ²	16	01004
	Time zone portion of timestamp is truncated. ⁵	Data ⁷	16	01004
SQL_C_TYPE_TIME-STAMP_EXT	None ⁵	Data	20	00000 ¹
	Time zone portion of timestamp is truncated. ⁵	Data ⁷	20	01004
SQL_C_TYPE_TIME-STAMP_EXT_TZ	None ⁵	Data	24	00000 ¹

Table 277. Conversion of timestamp SQL data to C data (continued)

fCType	Test	rgbValue	pcbValue	SQLSTATE
--------	------	----------	----------	----------

Notes:

1. SQLSTATE **00000** is not returned by `SQLGetDiagRec()`, rather it is indicated when the function returns `SQL_SUCCESS`.
2. The fractional seconds of the timestamp are truncated.
3. The time portion of the timestamp is deleted.
4. This is the size of the corresponding C data type.
5. The value of `cbValueMax` is ignored for this conversion. The driver assumes that the size of `rgbValue` is the size of the C data type.
6. The date portion of the timestamp is deleted.
7. The time zone portion of the timestamp is deleted.

When the timestamp SQL data type is converted to the character C data type, the resulting string is in the "yyyy-mm-dd hh:mm:ss[.fff[fff]]" format (regardless of the precision of the timestamp SQL data type).

Related reference

[C to SQL data conversion](#)

To convert C data types to SQL data types, you need to know the arguments: `fSqlType` and `pcbValue`. The SQLSTATE for each conversion outcome is returned.

SQL to C conversion for ROWID data

You can convert the ROWID SQL data type, `SQL_ROWID`, to a C data type.

The following table shows information about converting ROWID SQL data to C data.

Table 278. Conversion of ROWID SQL data to C data

fCType	Test	rgbValue	pcbValue	SQLSTATE
SQL_C_CHAR SQL_C_WCHAR	Data length <= cbValueMax	Data	Data length (in bytes)	00000
	Data length > cbValueMax	Truncated data	Data length (in bytes)	01004

Related reference

[SQL to C data conversion](#)

To convert SQL data types to C data types, you need to know the arguments: `fCType`, `cbValueMax`, `rgbValue`, and `pcbValue`. The SQLSTATE for each conversion outcome is returned.

SQL to C conversion for XML data

You can convert the XML SQL data type, `SQL_XML`, to a C data type.

The following table shows information about converting XML SQL data to C data.

Table 279. Conversion of XML SQL data to C data

fCType	Test	rgbValue	pcbValue	SQLSTATE
SQL_C_CHAR	Data length <= cbValueMax	Data	Data length (in bytes)	00000 ^{“1” on page 569}
	Data length > cbValueMax	Truncated data	Data length (in bytes)	01004
SQL_C_BINARY	Data length <= cbValueMax	Data	Data length (in bytes)	00000 ^{“1” on page 569}
	Data length > cbValueMax	Truncated data	Data length (in bytes)	01004
SQL_C_BINARYXML	Data length <= cbValueMax	Data	Data length (in bytes)	00000 ^{“1” on page 569}
	Data length > cbValueMax	Truncated data	Data length (in bytes)	01004
SQL_C_DBCHAR	Number of double-byte characters * 2 < cbValueMax	Data	Data length (in bytes)	00000 ^{“1” on page 569}
	Number of double-byte characters * 2 >= cbValueMax	Truncated data, to the nearest even byte that is less than cbValueMax	Data length (in bytes)	01004
SQL_C_WCHAR	Number of double-byte characters * 2 < cbValueMax	Data	Data length (in bytes)	00000 ^{“1” on page 569}
	Number of double-byte characters * 2 >= cbValueMax	Truncated data, to the nearest even byte that is less than cbValueMax	Data length (in bytes)	01004

Note:

1. SQLSTATE **00000** is not returned by SQLGetDiagRec(), rather it is indicated when the function returns SQL_SUCCESS.

Related reference

SQL to C data conversion

To convert SQL data types to C data types, you need to know the arguments: *fCType*, *cbValueMax*, *rgbValue*, and *pcbValue*. The SQLSTATE for each conversion outcome is returned.

SQL to C data conversion examples

The SQL data types you can convert to C data types are character, graphic, numeric, binary, date, time, timestamp, ROWID, and XML data.

The following table shows example SQL to C data conversions and the SQLSTATE values that are associated with these conversions.

Table 280. SQL to C data conversion examples

SQL data type	SQL data value	C data type	cbValueMax	rgbValue	SQLSTATE
SQL_CHAR	abcdef	SQL_C_CHAR	7	abcdef\0 ¹	00000 ²
SQL_CHAR	abcdef	SQL_C_CHAR	6	abcde\0 ¹	01004

Table 280. SQL to C data conversion examples (continued)

SQL data type	SQL data value	C data type	cbValueMax	rgbValue	SQLSTATE
SQL_DECIMAL	1234.56	SQL_C_CHAR	8	1234.56\0 ¹	00000 ²
SQL_DECIMAL	1234.56	SQL_C_CHAR	5	1234\0 ¹	01004
SQL_DECIMAL	1234.56	SQL_C_CHAR	4	---	22003
SQL_DECIMAL	1234.56	SQL_C_FLOAT	Ignored	1234.56	00000 ²
SQL_DECIMAL	1234.56	SQL_C_SHORT	Ignored	1234	01004
SQL_TYPE_DATE	1992-12-3 1	SQL_C_CHAR	11	1992-12-31\ 0 ¹	00000 ²
SQL_TYPE_DATE	1992-12-3 1	SQL_C_CHAR	10	---	22003
SQL_TYPE_DATE	1992-12-3 1	SQL_C_TYPE_TIMESTAMP	Ignored	1992,12,31, 0,0,0,0 ³	00000 ²
SQL_TYPE_TIMESTAMP	1992-12-3 1 23:45:55.1 2	SQL_C_CHAR	23	1992-12-31 23:45:55.12\ 0 ¹	00000 ²
SQL_TYPE_TIMESTAMP	1992-12-3 1 23:45:55.1 2	SQL_C_CHAR	22	1992-12-31 23:45:55.1\ 1	01004
SQL_TYPE_TIMESTAMP	1992-12-3 1 23:45:55.1 2	SQL_C_CHAR	18	---	22003

Notes:

- "\0" represents a nul-termination character.
- SQLSTATE 00000 is not returned by SQLGetDiagRec(), rather it is indicated when the function returns SQL_SUCCESS.
- The numbers in this list are the numbers stored in the fields of the TIMESTAMP_STRUCT structure.

C to SQL data conversion

To convert C data types to SQL data types, you need to know the arguments: *fSqlType* and *pcbValue*. The SQLSTATE for each conversion outcome is returned.

For each C data conversion type a table lists conversion information. Each column in these tables lists the following information:

- The first column of the table lists the legal input values of the *fSqlType* argument in SQLBindParameter().
- The second column lists the outcomes of a test, often using the length, in bytes, of the parameter data as specified in the *pcbValue* argument in SQLBindParameter(), which the driver performs to determine if it can convert the data.
- The third column lists the SQLSTATE returned for each outcome by SQLExecDirect() or SQLExecute().

Important: Data is sent to the data source only if the SQLSTATE is 00000 (success).

The tables list the conversions defined by ODBC to be valid for a given SQL data type.

If the *fSqlType* argument in `SQLBindParameter()` contains a value not shown in the table for a given C data type, SQLSTATE 07006 is returned (Restricted data type attribute violation).

If the *fSqlType* argument contains a value shown in the table but which specifies a conversion not supported by the driver, `SQLBindParameter()` returns SQLSTATE HYC00 (Driver not capable).

If the *rgbValue* and *pcbValue* arguments specified in `SQLBindParameter()` are both null pointers, that function returns SQLSTATE HY009 (Invalid argument value).

Data length

The total length in bytes of the data after it has been converted to the specified SQL data type (excluding the nul-termination character if the data was converted to a string). This is true even if data is truncated before it is sent to the data source.

Column length

The maximum number of bytes returned to the application when data is transferred to its default C data type. For character data, the length does not include the nul-termination character.

Display size

The maximum number of bytes needed to display data in character form.

Significant digits

The minus sign (if needed) and the digits to the left of the decimal point.

C to SQL conversion for character data

You can convert the C data types, `SQL_C_CHAR` and `SQL_C_WCHAR`, to SQL data types.

The data length for the `SQL_C_WCHAR` data type is the number of bytes of UCS-2 Unicode data.

The following table shows information about converting character C data to SQL data.

Table 281. Conversion of character C data to SQL data

fSqlType	Test	SQLSTATE
SQL_CHAR	Data length <= Column length	00000 ¹
SQL_VARCHAR	Data length > Column length	01004
SQL_LONGVARCHAR		
SQL_CLOB		
SQL_DECIMAL	Data converted without truncation	00000 ¹
SQL_NUMERIC	Data converted with truncation, but without loss of significant digits	01004
SQL_SMALLINT	Conversion of data would result in loss of significant digits	22003
SQL_INTEGER		
SQL_BIGINT	Data value is not a numeric value	22005
SQL_REAL		
SQL_FLOAT		
SQL_DOUBLE		
SQL_DECFLOAT		
SQL_BINARY	(Data length) < Column length	N/A
SQL_VARBINARY	(Data length) >= Column length	01004
SQL_LONGVARBINARY		
SQL_BLOB	Data value is not a hexadecimal value	22005
SQL_ROWID	Data length <= Column length	00000 ¹
	Data length > Column length	01004

Table 281. Conversion of character C data to SQL data (continued)

fSqlType	Test	SQLSTATE
SQL_TYPE_DATE	Data value is a valid date	00000 ¹
	Data value is a valid timestamp ²	00000 ¹
	Data value is not a valid date or timestamp	22008
SQL_TYPE_TIME	Data value is a valid time	00000 ¹
	Data value is not a valid time or timestamp	22008
	Data value is a valid timestamp ³	00000 ¹
SQL_TYPE_TIMESTAMP	Data value is a valid timestamp	00000 ¹
	Data value is not a valid timestamp.	22008
	Data value is a valid timestamp; fractional seconds truncated	01004
	Data value is valid timestamp; time zone portion is nonzero.	01004
SQL_TYPE_TIMESTAMP_WITH_TIMEZONE	Data value is a valid timestamp with time zone	00000 ¹
	Data value is not a valid timestamp with time zone	22008
	Data value is a valid timestamp, and time zone fields are not specified ⁴	00000 ¹
	Data value is a valid timestamp with time zone; fractional seconds truncated	01004
SQL_GRAPHIC	Data length / 2 <= Column length	00000 ¹
SQL_VARGRAPHIC	Data length / 2 < Column length	01004
SQL_LONGVARGRAPHIC		
C		
SQL_DBCLOB		
SQL_XML	None	00000 ¹

Note:

1. SQLSTATE **00000** is not returned by `SQLGetDiagRec()`, rather it is indicated when the function returns `SQL_SUCCESS`.
2. Only the date portion of the timestamp is considered.
3. Only the time portion of the timestamp is considered.
4. The time zone component of `TIMESTAMP` is set based on either `CLIENTTIMEZONE`, `SESSIO NTIMEZONE`, or the current system time zone of the machine the application is running.

Related reference

[C to SQL data conversion](#)

To convert C data types to SQL data types, you need to know the arguments: *fSqlType* and *pcbValue*. The SQLSTATE for each conversion outcome is returned.

C to SQL conversion for numeric data

You can convert numeric C data types to SQL data types.

The numeric C data types are:

- SQL_C_SHORT
- SQL_C_LONG
- SQL_C_BIGINT

SQL_C_FLOAT
 SQL_C_DOUBLE
 SQL_C_TINYINT
 SQL_C_BIT
 SQL_C_DECIMAL64
 SQL_C_DECIMAL128

The following table shows information about converting numeric C data to SQL data.

Table 282. Conversion of numeric C data to SQL data

fSqlType	Test	SQLSTATE
SQL_DECIMAL	Data converted without truncation	00000 ¹
SQL_NUMERIC	Data converted with truncation, but without loss of significant digits	01004
SQL_SMALLINT SQL_INTEGER SQL_BIGINT	Conversion of data would result in loss of significant digits	22003
SQL_REAL SQL_FLOAT SQL_DOUBLE SQL_DECFLOAT		
SQL_CHAR SQL_VARCHAR	Data converted without truncation.	00000 ¹
	Conversion of data would result in loss of significant digits.	22003

Note:

1. SQLSTATE **00000** is not returned by SQLGetDiagRec(), rather it is indicated when the function returns SQL_SUCCESS.

Related reference

C to SQL data conversion

To convert C data types to SQL data types, you need to know the arguments: *fSqlType* and *pcbValue*. The SQLSTATE for each conversion outcome is returned.

C to SQL conversion for binary data

You can convert the binary C data types, SQL_C_BINARY and SQL_C_BINARYXML, to SQL data types.

The following table shows information about converting C data of type SQL_C_BINARY to SQL data.

Table 283. Conversion of SQL_C_BINARY data to SQL data

fSqlType	Test	SQLSTATE
SQL_CHAR SQL_VARCHAR	Data length <= Column length	N/A
SQL_LONGVARCHAR SQL_CLOB	Data length > Column length	01004
SQL_BINARY SQL_VARBINARY	Data length <= Column length	N/A
SQL_LONGVARBINARY SQL_BLOB	Data length > Column length	01004
SQL_XML	None	00000 ¹

Table 283. Conversion of SQL_C_BINARY data to SQL data (continued)

fSqlType	Test	SQLSTATE
----------	------	----------

Note:

1. SQLSTATE **00000** is not returned by SQLGetDiagRec(), rather it is indicated when the function returns SQL_SUCCESS.

The following table shows information about converting C data of type SQL_C_BINARYXML to SQL data.

Table 284. Conversion of SQL_C_BINARYXML data to SQL data

fSqlType	Test	SQLSTATE
SQL_XML	None	00000 ¹

Note:

1. SQLSTATE **00000** is not returned by SQLGetDiagRec(), rather it is indicated when the function returns SQL_SUCCESS.

Related reference

[C to SQL data conversion](#)

To convert C data types to SQL data types, you need to know the arguments: *fSqlType* and *pcbValue*. The SQLSTATE for each conversion outcome is returned.

C to SQL conversion for double-byte character data

You can convert the double-byte C data type, SQL_C_DBCHAR, to an SQL data type.

The following table shows information about converting double-byte character C data to SQL data.

Table 285. Conversion of double-byte character C data to SQL data

fSqlType	Test	SQLSTATE
SQL_CHAR SQL_VARCHAR	Data length <= Column length x 2	N/A
SQL_LONGVARCHAR SQL_CLOB	Data length > Column length x 2	01004
SQL_BINARY	Data length <= Column length x 2	N/A
SQL_VARBINARY SQL_LONGVARBINARY SQL_BLOB	Data length > Column length x 2	01004
SQL_XML	None	00000 ¹

Note:

1. SQLSTATE **00000** is not returned by SQLGetDiagRec(), rather it is indicated when the function returns SQL_SUCCESS.

Related reference

[C to SQL data conversion](#)

To convert C data types to SQL data types, you need to know the arguments: *fSqlType* and *pcbValue*. The SQLSTATE for each conversion outcome is returned.

C to SQL conversion for date data

You can convert the date C data type, SQL_C_TYPE_DATE, to an SQL data type.

The following table shows information about converting date C data to SQL data.

Table 286. Converting date C data to SQL data

fSqlType	Test	SQLSTATE
SQL_CHAR SQL_VARCHAR	Column length >= 10	00000 ¹
	Column length < 10	22003
SQL_TYPE_DATE	Data value is a valid date	00000 ¹
	Data value is not a valid date	22008
SQL_TYPE_TIMESTAMP ²	Data value is a valid date	00000 ¹
	Data value is not a valid date	22008
SQL_TYPE_TIME- STAMP_WITH_TIMEZONE	Data value is a valid date	00000 ¹
	Data value is not a valid date	22008

³

Notes:

1. SQLSTATE **00000** is not returned by SQLGetDiagRec(), rather it is indicated when the function returns SQL_SUCCESS.
2. The time component of TIMESTAMP is set to zero.
3. The time component of TIMESTAMP is set to zero. The time zone component of TIMESTAMP is set to 0.

Related reference

C to SQL data conversion

To convert C data types to SQL data types, you need to know the arguments: *fSqlType* and *pcbValue*. The SQLSTATE for each conversion outcome is returned.

C to SQL conversion for time data

You can convert the time C data type, SQL_C_TYPE_TIME, to an SQL data type.

The following table shows information about converting time C data to SQL data.

Table 287. Conversion of time C data to SQL data

fSqlType	Test	SQLSTATE
SQL_CHAR SQL_VARCHAR	Column length >= 8	00000 ¹
	Column length < 8	22003
SQL_TYPE_TIME	Data value is a valid time	00000 ¹
	Data value is not a valid time	22008
SQL_TYPE_TIMESTAMP ²	Data value is a valid time	00000 ¹
	Data value is not a valid time	22008
SQL_TYPE_TIME- STAMP_WITH_TIMEZONE	Data value is a valid time	00000 ¹
	Data value is not a valid time	22008

³

Table 287. Conversion of time C data to SQL data (continued)

fSqlType	Test	SQLSTATE
Notes:		
	1. SQLSTATE 00000 is not returned by SQLGetDiagRec(), rather it is indicated when the function returns SQL_SUCCESS.	
	2. The date component of TIMESTAMP is set to the system date of the machine at which the application is running.	
	3. The date component of TIMESTAMP is set to the system date of the machine at which the application is running, and the time fraction is set to zero. The time zone component of TIMESTAMP is set based on either CLIENTTIMEZONE, SESSIONTIMEZONE, or the current system time zone of the machine the application is running.	

Related reference

[C to SQL data conversion](#)

To convert C data types to SQL data types, you need to know the arguments: *fSqlType* and *pcbValue*. The SQLSTATE for each conversion outcome is returned.

C to SQL conversion for timestamp data

You can convert the timestamp C data type, SQL_C_TYPE_TIMESTAMP, to an SQL data type.

The following table shows information about converting timestamp C data to SQL data.

Table 288. Conversion of timestamp C data to SQL data

fSqlType	Test	SQLSTATE
SQL_CHAR SQL_VARCHAR	Column length >= Display size	00000 "1" on page 577
	19 <= Column length < Display size	01004
	Column length < 19	22003
	Fractional seconds field length > 12 (display size > 32)	22008
SQL_TYPE_DATE	Data value is a valid date, and time fields are 0	00000 "1" on page 577
	Data value is a valid date, and time fields are not 0 "2" on page 577	01004
	Data value is not a valid date	22008
SQL_TYPE_TIME	Data value is a valid time. Fractional seconds fields are zero.	00000 "1" on page 577
	Data value is a valid time. Fractional seconds fields are not zero.	01004
	Data value is not a valid time.	22008
SQL_TYPE_TIMESTAMP	Data value is a valid timestamp	00000 "1" on page 577
	Data value is not a valid timestamp	22008
	Precision specified by TIMESTAMP(p) < fractional seconds field length <= 12 "3" on page 577	00000 "1" on page 577

Table 288. Conversion of timestamp C data to SQL data (continued)

fSqlType	Test	SQLSTATE
SQL_TYPE_TIMESTAMP_WITH_TIMEZONE	Data value is a valid timestamp	00000 ^{"1"} on page 577
	Data value is not a valid timestamp	22008
	Precision specified by <code>TIMESTAMP(p)</code> < fractional seconds field length <= 12 ^{"3"} on page 577	00000 ^{"1"} on page 577

Notes:

1. SQLSTATE 00000 is not returned by `SQLGetDiagRec()`, rather it is indicated when the function returns `SQL_SUCCESS`.
2. The time portion of the timestamp is deleted.
3. Fractional seconds of the timestamp are truncated.
4. The time zone component of `TIMESTAMP` is set based on either `CLIENTTIMEZONE`, `SESSIONTIMEZONE`, or the current system time zone of the machine the application is running.

Related reference

[C to SQL data conversion](#)

To convert C data types to SQL data types, you need to know the arguments: *fSqlType* and *pcbValue*. The SQLSTATE for each conversion outcome is returned.

C to SQL conversion for timestamp_ext data

You can convert the timestamp C data type, `SQL_C_TYPE_TIMESTAMP_EXT`, to an SQL data type.

The following table shows information about converting `timestamp_ext` C data to SQL data.

Table 289. Conversion of timestamp_ext C data to SQL data

fSqlType	Test	SQLSTATE
SQL_CHAR SQL_VARCHAR	Column length >= Display size	00000 ^{"1"} on page 578
	19 <= Column length < Display size	01004
	Column length < 19	22003
	Fractional seconds field length > 12 (display size > 32)	22008
SQL_TYPE_DATE	Data value is a valid date, and time fields are 0	00000 ^{"1"} on page 578
	Data value is a valid date, and time fields are not 0 ^{"2"} on page 578	01004
	Data value is not a valid date	22008
SQL_TYPE_TIME	Data value is a valid time. Fractional seconds fields are zero.	00000 ^{"1"} on page 578
	Data value is a valid time. Fractional seconds fields are not zero.	01004
	Data value is not a valid time.	22008
SQL_TYPE_TIMESTAMP	Data value is a valid timestamp	00000 ^{"1"} on page 578
	Data value is not a valid timestamp	22008
	Precision specified by <code>TIMESTAMP(p)</code> <= fractional seconds field length <= 12 ^{"3"} on page 578	00000 ^{"1"} on page 578

Table 289. Conversion of timestamp_ext C data to SQL data (continued)

fSqlType	Test	SQLSTATE
SQL_TYPE_TIMESTAMP_WITH_TIMEZONE	Data value is a valid timestamp	00000 ^{"1"} on page 578
	Data value is not a valid timestamp	22008
	Precision specified by <code>TIMESTAMP(p)</code> <= fractional seconds field length <= 12 ^{"3"} on page 578	00000 ^{"1"} on page 578

Notes:

1. SQLSTATE 00000 is not returned by `SQLGetDiagRec()`, rather it is indicated when the function returns `SQL_SUCCESS`.
2. The time portion of the timestamp is deleted.
3. Fractional seconds of the timestamp are truncated.
4. The time zone component of `TIMESTAMP` is set based on either `CLIENTTIMEZONE`, `SESSIONTIMEZONE`, or the current system time zone of the machine the application is running.

Related reference

[C to SQL data conversion](#)

To convert C data types to SQL data types, you need to know the arguments: *fSqlType* and *pcbValue*. The SQLSTATE for each conversion outcome is returned.

C to SQL conversion for timestamp_ext_tz data

You can convert the timestamp C data type, `SQL_C_TYPE_TIMESTAMP_EXT_TZ`, to an SQL data type.

The following table shows information about converting `timestamp_ext_tz` C data to SQL data.

Table 290. Conversion of timestamp_ext_tz C data to SQL data

fSqlType	Test	SQLSTATE
SQL_CHAR SQL_VARCHAR	Column length >= Display size	00000 ^{"1"} on page 579
	19 <= Column length < Display size	01004
	Column length < 19	22003
	Fractional seconds field length > 18 (display size > 38)	22008
SQL_TYPE_DATE	Data value is a valid date, and time fields are 0	00000 ^{"1"} on page 579
	Data value is a valid date, and time fields are not 0 ^{"2"} on page 579	01004
	Data value is not a valid date	22008
	Data value is a valid date, and time zone fields are not 0 ^{"4"} on page 579	01004
SQL_TYPE_TIME	Data value is a valid time. Fractional seconds fields are zero.	00000 ^{"1"} on page 579
	Data value is a valid time. Fractional seconds fields are not zero.	01004
	Data value is not a valid time.	22008
	Data value is a valid time, and time zone fields are not 0 ^{"4"} on page 579.	01004

Table 290. Conversion of timestamp_ext_tz C data to SQL data (continued)

fSqlType	Test	SQLSTATE
SQL_TYPE_TIMESTAMP	Data value is a valid timestamp	00000 ¹ on page 579
	Data value is not a valid timestamp	22008
	Precision specified by <code>TIMESTAMP(p) <= fractional seconds field length <= 12</code> ³ on page 579	00000 ¹ on page 579
	Data value is a valid time, and time zone fields are not 0 ⁴ on page 579.	01004
SQL_TYPE_TIMESTAMP_WITH_TIMEZONE	Data value is a valid timestamp with time zone	00000 ¹ on page 579
	Data value is not a valid timestamp with time zone	22008
	Precision specified by <code>TIMESTAMP(p) < fractional seconds field length <= 12</code> ³ on page 579	00000 ¹ on page 579

Notes:

1. SQLSTATE 00000 is not returned by `SQLGetDiagRec()`, rather it is indicated when the function returns `SQL_SUCCESS`.
2. The time portion of the timestamp is deleted.
3. Fractional seconds of the timestamp are truncated.
4. The time zone portion of the timestamp is deleted.

Related reference

[C to SQL data conversion](#)

To convert C data types to SQL data types, you need to know the arguments: *fSqlType* and *pcbValue*. The SQLSTATE for each conversion outcome is returned.

C to SQL data conversion examples

The C data types that you can convert to SQL data types are character, numeric, binary, double-byte, date, time, and timestamp data.

The following table shows example C to SQL data conversions and the SQLSTATE associated with these conversions.

Table 291. C to SQL data conversion examples

C data type	C data Value	SQL data type	Column length	SQL data value	SQLSTATE
SQL_C_CHAR	abcdef\0	SQL_CHAR	6	abcdef	00000 ¹
SQL_C_CHAR	abcdef\0	SQL_CHAR	5	abcde	01004
SQL_C_CHAR	1234.56\0	SQL_DECIMAL	6	1234.56	00000 ¹
SQL_C_CHAR	1234.56\0	SQL_DECIMAL	5	1234.5	01004
SQL_C_CHAR	1234.56\0	SQL_DECIMAL	3	---	22003
SQL_C_FLOAT	1234.56	SQL_FLOAT	Not applicable	1234.56	00000 ¹
SQL_C_FLOAT	1234.56	SQL_INTEGER	Not applicable	1234	01004

Note:

1. SQLSTATE 00000 is not returned by `SQLGetDiagRec()`, rather it is indicated when the function returns `SQL_SUCCESS`.

Deprecated ODBC functions

Db2 ODBC supports the ODBC 3.0 standard and all deprecated functions. Use the function replacements where applicable to optimize performance.

This information explains the Db2 for z/OS support of the ODBC 3.0 standard.

Deprecated ODBC functions and their replacements

The ODBC 3.0 functions replace, or *deprecate*, many existing ODBC 2.0 functions. The Db2 ODBC driver continues to support all of the deprecated functions.

Recommendation: Begin using ODBC 3.0 functional replacements to maintain optimum portability.

The following table lists the ODBC 2.0 deprecated functions and the ODBC 3.0 replacement functions.

Table 292. ODBC 2.0 deprecated functions

ODBC 2.0 deprecated function	Purpose	ODBC 3.0 replacement function
SQLAllocConnect()	Obtains an connection handle.	SQLAllocHandle() with <i>HandleType=SQL_HANDLE_DBC</i>
SQLAllocEnv()	Obtains an environment handle.	SQLAllocHandle() with <i>HandleType=SQL_HANDLE_ENV</i>
SQLAllocStmt()	Obtains an statement handle.	SQLAllocHandle() with <i>HandleType=SQL_HANDLE_STMT</i>
SQLColAttributes()	Gets column attributes.	SQLColAttribute()
SQLError()	Returns additional diagnostic information (multiple fields of the diagnostic data structure).	SQLGetDiagRec()
SQLFreeConnect()	Frees connection handle.	SQLFreeHandle() with <i>HandleType=SQL_HANDLE_DBC</i>
SQLFreeEnv()	Frees environment handle.	SQLFreeHandle() with <i>HandleType=SQL_HANDLE_ENV</i>
SQLFreeStmt() with <i>fOption=SQL_DROP</i>	Frees a statement handle.	SQLFreeHandle() with <i>HandleType=SQL_HANDLE_STMT</i>
SQLGetConnectOption()	Returns a value of a connection attribute.	SQLGetConnectAttr()
SQLGetStmtOption()	Returns a value of a statement attribute.	SQLGetStmtAttr()
SQLParamOptions()	Sets multiple values at one time for each bound parameter.	SQLSetStmtAttr()
SQLSetConnectOption()	Sets a value of a connection attribute.	SQLSetConnectAttr()
SQLSetParam()	Binds a parameter marker to an application variable.	SQLBindParameter()
SQLSetStmtOption()	Sets a value of a statement attribute.	SQLSetStmtAttr()
SQLTransact()	Commits or rolls back a transaction.	SQLEndTran()

Changes to SQLGetInfo() InfoType argument values

Values of the *InfoType* arguments for SQLGetInfo() arguments are renamed in ODBC 3.0.

The following table shows the renamed SQLGetInfo() InfoTypes in ODBC 3.0.

Table 293. Renamed SQLGetInfo() InfoTypes

ODBC 2.0 InfoType	ODBC 3.0 InfoType
SQL_ACTIVE_CONNECTIONS	SQL_MAX_DRIVER_CONNECTIONS
SQL_ACTIVE_STATEMENTS	SQL_MAX_CONCURRENT_ACTIVITIES
SQL_MAX_OWNER_NAME_LEN	SQL_MAX_SCHEMA_NAME_LEN
SQL_MAX_QUALIFIER_NAME_LEN	SQL_MAX_CATALOG_NAME_LEN
SQL_ODBC_SQL_OPT_IEF	SQL_INTEGRITY
SQL_SCHEMA_TERM	SQL_OWNER_TERM
SQL_OWNER_USAGE	SQL_SCHEMA_USAGE
SQL_QUALIFIER_LOCATION	SQL_CATALOG_LOCATION
SQL_QUALIFIER_NAME_SEPARATOR	SQL_CATALOG_NAME_SEPARATOR
SQL_QUALIFIER_TERM	SQL_CATALOG_TERM
SQL_QUALIFIER_USAGE	SQL_CATALOG_USAGE

Related reference

[SQLGetInfo\(\) - Get general information](#)

SQLGetInfo() returns general information about the database management systems to which the application is currently connected. For example, SQLGetInfo() indicates which data conversions are supported.

Changes to SQLSetConnectAttr() attributes

For SQLSetConnectAttr() attributes, the ODBC driver supports both ODBC 2.0 and ODBC 3.0 values.

The following table correlates ODBC 2.0 and ODBC 3.0 values.

Table 294. SQLSetConnectAttr() attribute value mapping

ODBC 2.0 attribute	ODBC 3.0 attribute
SQL_ACCESS_MODE	SQL_ATTR_ACCESS_MODE
SQL_AUTOCOMMIT	SQL_ATTR_AUTOCOMMIT
SQL_CONNECTTYPE	SQL_ATTR_CONNECTTYPE
SQL_CURRENT_SCHEMA	SQL_ATTR_CURRENT_SCHEMA
SQL_MAXCONN	SQL_ATTR_MAXCONN
SQL_PARAMOPT_ATOMIC	SQL_ATTR_PARAMOPT_ATOMIC
SQL_SYNC_POINT	SQL_ATTR_SYNC_POINT
SQL_TXN_ISOLATION	SQL_ATTR_TXN_ISOLATION

Changes to SQLSetEnvAttr() attributes

For SQLSetEnvAttr() attributes, the ODBC driver supports both ODBC 2.0 and ODBC 3.0 values.

The following table lists the SQLSetEnvAttr() attribute values renamed in ODBC 3.0. The ODBC 3.0 attributes support all of the existing ODBC 2.0 attributes.

Table 295. SQLSetEnvAttr() attribute value mapping

ODBC 2.0 attribute	ODBC 3.0 attribute
SQL_CONNECTTYPE	SQL_ATTR_CONNECTTYPE
SQL_MAXCONN	SQL_ATTR_MAXCONN
SQL_OUTPUT_NTS	SQL_ATTR_OUTPUT_NTS

Changes to SQLSetStmtAttr() attributes

For SQLSetStmtAttr() attributes, the ODBC driver supports both ODBC 2.0 and ODBC 3.0 values.

The following table lists the SQLSetStmtAttr() attribute values renamed in ODBC 3.0. The ODBC 3.0 attributes support all of the existing ODBC 2.0 attributes.

Table 296. SQLSetStmtAttr() attribute value mapping

ODBC 2.0 attribute	ODBC 3.0 attribute
SQL_BIND_TYPE	SQL_ATTR_BIND_TYPE or SQL_ATTR_ROW_BIND_TYPE
SQL_CLOSE_BEHAVIOR	SQL_ATTR_CLOSE_BEHAVIOR
SQL_CONCURRENCY	SQL_ATTR_CONCURRENCY
SQL_CURSOR_HOLD	SQL_ATTR_CURSOR_HOLD
SQL_CURSOR_TYPE	SQL_ATTR_CURSOR_TYPE
SQL_MAX_LENGTH	SQL_ATTR_MAX_LENGTH
SQL_MAX_ROWS	SQL_ATTR_MAX_ROWS
SQL_NODESCRIBE	SQL_ATTR_NODESCRIBE
SQL_NOSCAN	SQL_ATTR_NOSCAN
SQL_RETRIEVE_DATA	SQL_ATTR_RETRIEVE_DATA
SQL_ROWSET_SIZE	SQL_ATTR_ROWSET_SIZE or SQL_ATTR_ROW_ARRAY_SIZE
SQL_STMTTXN_ISOLATION or SQL_TXN_ISOLATION	SQL_ATTR_STMTTXN_ISOLATION or SQL_ATTR_TXN_ISOLATION

ODBC 3.0 driver behavior

Behavioral changes refer to functionality that varies depending on the version of ODBC that is in use. The ODBC 2.0 and ODBC 3.0 drivers behave according to the setting of the SQL_ATTR_ODBC_VERSION environment attribute.

The SQL_ATTR_ODBC_VERSION environment attribute controls whether the ODBC 3.0 driver exhibits ODBC 2.0 or ODBC 3.0 behavior. This value is implicitly set by the ODBC driver by application calls to the ODBC 3.0 function SQLAllocHandle() or the ODBC 2.0 function SQLAllocEnv(). The application can explicitly set by calls to SQLSetEnvAttr().

- ODBC 3.0 applications first call `SQLAllocHandle()` to get the environmental handle. The ODBC 3.0 driver implicitly sets `SQL_ATTR_ODBC_VERSION = SQL_OV_ODBC3`. This setting ensures that ODBC 3.0 applications get ODBC 3.0 behavior.

An ODBC 3.0 application should not invoke `SQLAllocHandle()` and then call `SQLAllocEnv()`. Doing so implicitly resets the application to ODBC 2.0 behavior. To avoid resetting an application to ODBC 2.0 behavior, ODBC 3.0 applications should always use `SQLAllocHandle()` to manage environment handles.

- ODBC 2.0 applications first call `SQLAllocEnv()` to get the environmental handle. The ODBC 2.0 driver implicitly sets `SQL_ATTR_ODBC_VERSION = SQL_OV_ODBC2`. This setting ensures that ODBC 2.0 applications get ODBC 2.0 behavior.

An application can verify the ODBC version setting by calling `SQLGetEnvAttr()` for attribute `SQL_ATTR_ODBC_VERSION`. An application can explicitly set the ODBC version setting by calling `SQLSetEnvAttr()` for attribute `SQL_ATTR_ODBC_VERSION`.

Forward compatibility does not affect ODBC 2.0 applications that were compiled using the previous ODBC 2.0 driver header files, or ODBC 2.0 applications that are recompiled using the new ODBC 3.0 header files. These applications can continue executing as ODBC 2.0 applications on the ODBC 3.0 driver. These ODBC 2.0 applications need not call `SQLSetEnvAttr()`. As stated above, when the existing ODBC 2.0 application calls `SQLAllocEnv()` (ODBC 2.0 API to allocate environment handle), the ODBC 3.0 driver will implicitly set `SQL_ATTR_ODBC_VERSION = SQL_OV_ODBC2`. This will ensure ODBC 2.0 driver behavior when using the ODBC 3.0 driver.

SQLSTATE mappings

Several SQLSTATEs differ when you call `SQLGetDiagRec()` or `SQLERROR()` under an ODBC 3.0 driver. All deprecated functions continue to return ODBC 2.0 SQLSTATEs regardless of which environment attributes are set.

The following list shows the affected SQLSTATEs:

- **HYxxx** SQLSTATEs replace **S1xxx** SQLSTATEs
- **42Sxx** SQLSTATEs replace **S00xx** SQLSTATEs
- Several SQLSTATEs are redefined

When an ODBC 2.0 application is upgraded to ODBC 3.0, the application must be changed to expect the ODBC 3.0 SQLSTATEs. An ODBC 3.0 application can set the environment attribute `SQL_ATTR_ODBC_VERSION = SQL_OV_ODBC2` to enable the Db2 ODBC 3.0 driver to return the ODBC 2.0 SQLSTATEs.

The following table lists ODBC 2.0 to ODBC 3.0 SQLSTATE mappings.

Table 297. ODBC 2.0 to ODBC 3.0 SQLSTATE mappings

ODBC 2.0 SQLSTATE	ODBC 3.0 SQLSTATE
22003	HY019
22007	22008
22005	22018
37000	42000
S0001	42S01
S0002	42S02
S0011	42S11
S0012	42S12
S0021	42S21

Table 297. ODBC 2.0 to ODBC 3.0 SQLSTATE mappings (continued)

ODBC 2.0 SQLSTATE	ODBC 3.0 SQLSTATE
S0022	42S22
S0023	42S23
S1000	HY000
S1001	HY001
S1002	HY002
S1003	HY003
S1004	HY004
S1009	HY009 or HY024 S1009 is mapped to HY009 for invalid use of null pointers; S1009 is mapped to HY024 for invalid attribute values.
S1010	HY010
S1011	HY011
S1012	HY012
S1013	HY013
S1014	HY014
S1015	HY015
S1019	HY019
S1090	HY090
S1091	HY091
S1092	HY092
S1093	HY093
S1096	HY096
S1097	HY097
S1098	HY098
S1099	HY099
S1100	HY100
S1101	HY101
S1103	HY103
S1104	HY104
S1105	HY105
S1106	HY106
S1107	HY107
S1110	HY110
S1501	HY501

Table 297. ODBC 2.0 to ODBC 3.0 SQLSTATE mappings (continued)

ODBC 2.0 SQLSTATE	ODBC 3.0 SQLSTATE
S1506	HY506
S1C00	HYC00

Changes to datetime data types

The ODBC driver supports both ODBC 2.0 and ODBC 3.0 datetime values for input. For output, the ODBC driver determines the value to return based on the setting of the environment attribute.

In ODBC 3.0, the identifiers for date, time, and timestamp have changed. The #define directives in the include file sqlcli1.h are added for the values defined in [Table 298 on page 585](#) for SQL type mappings and [Table 299 on page 585](#) for C type mappings.

- For input, either ODBC 2.0 or ODBC 3.0 datetime values can be used with the Db2 ODBC 3.0 driver.
- On output, the Db2 ODBC 3.0 driver determines the appropriate value to return based on the setting of the SQL_ATTR_ODBC_VERSION environment attribute.
 - If SQL_ATTR_ODBC_VERSION = SQL_OV_ODBC2, the output datetime values are the ODBC 2.0 values.
 - If SQL_ATTR_ODBC_VERSION = SQL_OV_ODBC3, the output datetime values are the ODBC 3.0 values.

The following figures show the corresponding ODBC 2.0 to ODBC 3.0 mappings for SQL type and C type identifiers respectively.

Table 298. Datetime data type mappings: SQL type identifiers

ODBC 2.0	ODBC 3.0
SQL_DATE(9)	SQL_TYPE_DATE(91)
SQL_TIME(10)	SQL_TYPE_TIME(92)
SQL_TIMESTAMP(11)	SQL_TYPE_TIMESTAMP(93)

Table 299. Datetime data type mappings: C type identifiers

ODBC 2.0	ODBC 3.0
SQL_C_DATE(9)	SQL_C_TYPE_DATE(91)
SQL_C_TIME(10)	SQL_C_TYPE_TIME(92)
SQL_C_TIMESTAMP(11)	SQL_C_TYPE_TIMESTAMP(93)
SQL_C_TIMESTAMP_EXT	SQL_C_TYPE_TIMESTAMP_EXT

The datetime data type changes affect the following functions:

- SQLBindCol()
- SQLBindParameter()
- SQLColAttribute()
- SQLColumns()
- SQLDescribeCol()
- SQLDescribeParam()
- SQLGetData()
- SQLGetTypeInfo()

- `SQLProcedureColumns()`
- `SQLStatistics()`
- `SQLSpecialColumns()`

Example Db2 ODBC code

You can view example Db2 ODBC code for a sample verification program DSN803VP and for a client application APD29 that calls a stored procedure.

The following sample applications are provided:

- DSN803VP, which is also available online in the DSN810.SDSNSAMP data set can be used to verify that your Db2 ODBC 3.0 installation is correct.
- APD29, a client application that calls a Db2 ODBC stored procedure (SPD29), includes very fundamental processing of query result sets (a query cursor opened in a stored procedure and return to client for fetching). For completeness, the CREATE TABLE, data INSERTs and CREATE PROCEDURE definition is provided.

Related concepts

[DSN803VP sample application](#)

The DSN803VP sample program validates the installation of Db2 ODBC.

[Client application calling a Db2 ODBC stored procedure](#)

The client application, APD29, calls the stored procedure, SPD29, and processes query result sets. A query cursor opens in a stored procedure and returns to the client for fetching.

Related tasks

[Preparing and executing an ODBC application](#)

You must compile, prelink, and link-edit an ODBC application before you can run it. Db2 ODBC provides sample programs to help you with program preparation.

DSN803VP sample application

The DSN803VP sample program validates the installation of Db2 ODBC.

The following code contains the sample program DSN810.SDSNSAMP(DSN803VP).

```

/*****
/* DB2 ODBC 3.0 installation certification test to validate */
/* installation. */
/* */
/* DSNTEJ8 is sample JCL to that can be used to run this */
/* application. */
/*****
/* Include the 'C' include files */
/*****
#include <stdio.h>
#include <string.h>
#include <stdlib.h>
#include "sqlcli1.h"
/*****
/* Variables */
/*****
#ifndef NULL
#define NULL 0
#endif
SQLHENV henv = SQL_NULL_HENV;
SQLHDBC hdbc = SQL_NULL_HDBC;
SQLHDBC hstmt= SQL_NULL_HSTMT;
SQLRETURN rc = SQL_SUCCESS;
SQLINTEGER id;
SQLCHAR name[51]
SQLINTEGER namelen, intlen, colcount;
struct sqlca sqlca;
SQLCHAR server[18]
SQLCHAR uid[30]
SQLCHAR pwd[30]

```



```

    SQLCHAR    sqlstmt[500]
SQLRETURN    check_error(SQLSMALLINT,SQLHANDLE,SQLRETURN,int,char *);
SQLRETURN    print_error(SQLSMALLINT,SQLHANDLE,SQLRETURN,int,char *);
SQLRETURN    prt_sqlca(void);
#define CHECK_HANDLE( htype, hndl, rc ) if ( rc != SQL_SUCCESS ) \
    {check_error(htype,hndl,rc, __LINE__, __FILE__);goto dberror;}

```

```

/*****
/* Main Program
*****/
int main()
{
    printf("DSN803VP INITIALIZATION\n");
    printf("DSN803VP SQLAllocHandle-Environment\n");
    henv=0;
    rc = SQLAllocHandle( SQL_HANDLE_ENV, SQL_NULL_HANDLE, &henv ) ;
    CHECK_HANDLE( SQL_HANDLE_ENV, henv, rc );
    printf("DSN803VP-henv=%i\n",henv);
    printf("DSN803VP SQLAllocHandle-Environment successful\n");
    printf("DSN803VP SQLAllocHandle-Connection\n");
    hdbc=0;
    rc=SQLAllocHandle( SQL_HANDLE_DBC, henv, &hdbc);
    CHECK_HANDLE( SQL_HANDLE_DBC, hdbc, rc );
    printf("DSN803VP-hdbc=%i\n",hdbc);
    printf("DSN803VP SQLAllocHandle-Connection successful\n");
    printf("DSN803VP SQLConnect\n");
    strcpy((char *)uid,"");
    strcpy((char *)pwd,"");
    strcpy((char *)server,"ignore");
    /* sample is NULL connect to default datasource */
    rc=SQLConnect(hdbc,NULL,0,NULL,0,NULL,0);
    CHECK_HANDLE( SQL_HANDLE_DBC, hdbc, rc );
    printf("DSN803VP successfully issued a SQLconnect\n");
    printf("DSN803VP SQLAllocHandle-Statement\n");
    hstmt=0;
    rc=SQLAllocHandle( SQL_HANDLE_STMT, hdbc, &hstmt);
    CHECK_HANDLE( SQL_HANDLE_STMT, hstmt, rc );
    printf("DSN803VP hstmt=%i\n",hstmt);
    printf("DSN803VP SQLAllocHandle-Statement successful\n");
    printf("DSN803VP SQLExecDirect\n");
    strcpy((char *)sqlstmt,"SELECT * FROM SYSIBM.SYSDUMMY1");
    printf("DSN803VP sqlstmt=%s\r",sqlstmt);
    rc=SQLExecDirect(hstmt,sqlstmt,SQL_NTS);
    CHECK_HANDLE( SQL_HANDLE_STMT, hstmt, rc );
    printf("DSN803VP successfully issued a SQLExecDirect\n");
    /* sample fetch without looking at values */
    printf("DSN803VP SQLFetch\n");
    rc=SQLFetch(hstmt);
    CHECK_HANDLE( SQL_HANDLE_STMT, hstmt, rc );
    printf("DSN803VP successfully issued a SQLFetch\n");
    printf("DSN803VP SQLEndTran-Commit\n");
    rc=SQLEndTran(SQL_HANDLE_DBC, hdbc, SQL_COMMIT);
    CHECK_HANDLE( SQL_HANDLE_STMT, hstmt, rc );
    printf("DSN803VP SQLEndTran-Commit successful\n");
    printf("DSN803VP SQLFreeHandle-Statement\n");
    rc=SQLFreeHandle(SQL_HANDLE_STMT,hstmt);
    CHECK_HANDLE( SQL_HANDLE_STMT, hstmt, rc );
    hstmt=0;
    printf("DSN803VP SQLFreeHandle-Statement successful\n");

```

```

/***** SQLDisconnect *****/
printf("DSN803VP SQLDisconnect\n");
rc=SQLDisconnect(hdbc);
CHECK_HANDLE( SQL_HANDLE_DBC, hdbc, rc );
printf("DSN803VP successfully issued a SQLDisconnect\n");
/***** SQLFreeConnect *****/
printf("DSN803VP SQLFreeHandle-Connection\n");
rc=SQLFreeHandle(SQL_HANDLE_DBC,hdbc);
CHECK_HANDLE( SQL_HANDLE_DBC, hdbc, rc );
hdbc=0;
printf("DSN803VP SQLFreeHandle-Connection successful\n");
/***** SQLFreeEnv *****/
printf("DSN803VP SQLFreeHandle-Environment\n");
rc=SQLFreeHandle(SQL_HANDLE_ENV,henv);
CHECK_HANDLE( SQL_HANDLE_ENV, henv, rc );
henv=0;
printf("DSN803VP SQLFreeHandle-Environment successful\n");
pgmend:
printf("DSN803VP pgmend: Ending sample\n");
if (rc==0)

```

```

printf("DSN803VP Execution was SUCCESSFUL\n");
else
{
printf("DSN803VP*****\n");
printf("DSN803VP Execution FAILED\n");
printf("DSN803VP rc = %i\n", rc );
printf("DSN803VP *****\n");
}
return(rc);
dberror:
printf("DSN803VP dberror: entry dberror rtn\n");
printf("DSN803VP dberror: rc=%d\n",rc);
printf("DSN803VP dberror: environment cleanup attempt\n");
printf("DSN803VP dberror: cleanup SQLFreeEnv\n");
rc=SQLFreeEnv(henv);
printf("DSN803VP dberror: cleanup SQLFreeEnv rc =%d\n",rc);
rc=12;
printf("DSN803VP dberror: setting error rc=%d\n",rc);
goto pgmend;
} /*END MAIN*/

```

```

/*****/
/* check_error */
/*****/
/* RETCODE values from sqlcli.h */
/*#define SQL_SUCCESS 0 */
/*#define SQL_SUCCESS_WITH_INFO 1 */
/*#define SQL_NO_DATA_FOUND 100 */
/*#define SQL_NEED_DATA 99 */
/*#define SQL_NO_DATA SQL_NO_DATA_FOUND */
/*#define SQL_STILL_EXECUTING 2 not currently returned */
/*#define SQL_ERROR -1 */
/*#define SQL_INVALID_HANDLE -2 */
/*****/
SQLRETURN check_error( SQLSMALLINT htype, /* A handle type */
SQLHANDLE hndl, /* A handle */
SQLRETURN frc, /* Return code */
int line, /* Line error issued */
char * file /* file error issued */
) {
SQLCHAR cli_sqlstate[SQL_SQLSTATE_SIZE + 1];
SQLINTEGER cli_sqlcode;
SQLSMALLINT length;
printf("DSN803VP entry check_error rtn\n");
switch (frc) {
case SQL_SUCCESS:
break;
case SQL_INVALID_HANDLE:
printf("DSN803VP check_error> SQL_INVALID_HANDLE \n");
break;
case SQL_ERROR:
printf("DSN803VP check_error> SQL_ERROR\n");
break;
case SQL_SUCCESS_WITH_INFO:
printf("DSN803VP check_error> SQL_SUCCESS_WITH_INFO\n");
break;
case SQL_NO_DATA_FOUND:
printf("DSN803VP check_error> SQL_NO_DATA_FOUND\n");
break;
default:
printf("DSN803VP check_error> Received rc from api rc=%i\n",frc);
break;
} /*end switch*/
print_error(htype,hndl,frc,line,file);
printf("DSN803VP SQLGetSQLCA\n");
rc = SQLGetSQLCA(henv, hdbc, hstmt, &sqlca);
if( rc == SQL_SUCCESS )
prt_sqlca();
else
printf("DSN803VP check_error SQLGetSQLCA failed rc=%i\n",rc);
printf("DSN803VP exit check_error rtn\n");
return (frc);
} /* end check_error */

```

```

/*****/
/* print_error */
/* calls SQLGetDiagRec() displays SQLSTATE and message */
/*****/
SQLRETURN print_error( SQLSMALLINT htype, /* A handle type */
SQLHANDLE hndl, /* A handle */

```

```

        SQLRETURN   frc, /* Return code */
        int         line, /* error from line */
        char *      file /* error from file */
    ) {
SQLCHAR   buffer[SQL_MAX_MESSAGE_LENGTH + 1] ;
SQLCHAR   sqlstate[SQL_SQLSTATE_SIZE + 1] ;
SQLINTEGER sqlcode ;
SQLSMALLINT length, i ;
SQLRETURN prc;
printf("DSN803VP entry print_error rtn\n");
printf("DSN803VP rc=%d reported from file:%s,line:%d ---\n",
        frc,
        file,
        line
    ) ;
i = 1 ;
while ( SQLGetDiagRec( htype,
                    hndl,
                    i,
                    sqlstate,
                    &sqlcode,
                    buffer,
                    SQL_MAX_MESSAGE_LENGTH + 1,
                    &length
                ) == SQL_SUCCESS ) {
    printf( "DSN803VP SQLSTATE: %s\n", sqlstate ) ;
    printf( "DSN803VP Native Error Code: %ld\n", sqlcode ) ;
    printf( "DSN803VP buffer: %s \n", buffer ) ;
    i++ ;
}
printf( ">-----\n" ) ;
printf("DSN803VP exit print_error rtn\n");
return( SQL_ERROR ) ;
} /* end print_error */

```

```

/*****
/* prt_sqlca */
*****/
SQLRETURN
prt_sqlca()
{
    int i;
    printf("DSN803VP entry prt_sqlca rtn\n");
    printf("\r\nDSN803VP*** Printing the SQLCA:\r\n");
    printf("\nDSN803VP SQLCAID ... %s",sqlca.sqlcaid);
    printf("\nDSN803VP SQLCABC ... %d",sqlca.sqlcabc);
    printf("\nDSN803VP SQLCODE ... %d",sqlca.sqlcode);
    printf("\nDSN803VP SQLERRML ... %d",sqlca.sqlerrml);
    printf("\nDSN803VP SQLERRMC ... %s",sqlca.sqlerrmc);
    printf("\nDSN803VP SQLERRP ... %s",sqlca.sqlerrp);
    for (i = 0; i < 6; i++)
        printf("\nDSN803VP SQLERRD%d ... %d",i+1,sqlca.sqlerrd??(i??));
    for (i = 0; i < 10; i++)
        printf("\nDSN803VP SQLWARN%d ... %c",i,sqlca.sqlwarn[i]);
    printf("\nDSN803VP SQLWARNA ... %c",sqlca.sqlwarn[10]);
    printf("\nDSN803VP SQLSTATE ... %s",sqlca.sqlstate);
    printf("\nDSN803VP exit prt_sqlca rtn\n");
    return(0);
} /* End of prt_sqlca */
/*****
/* END DSN803VP */
*****/

```

Client application calling a Db2 ODBC stored procedure

The client application, APD29, calls the stored procedure, SPD29, and processes query result sets. A query cursor opens in a stored procedure and returns to the client for fetching.

The CREATE TABLE, data INSERT, and CREATE PROCEDURE statements are provided to define the Db2 objects and procedures that this example uses.

STEP 1. Create table

```

printf("\nAPDDL SQLExecDirect stmt=
strcpy((char *)sqlstmt,
"CREATE TABLE TABLE2A (INT4 INTEGER,SMINT SMALLINT,FLOAT8 FLOAT)");
strcat((char *)sqlstmt,

```

```

",DEC312 DECIMAL(31,2),CHR10 CHARACTER(10),VCHR20 VARCHAR(20)");
strcat((char *)sqlstmt,
",LVCHR LONG VARCHAR,CHR5B CHAR(10),CHRBIT CHAR(10) FOR BIT DATA");
strcat((char *)sqlstmt,
",DDATE DATE,TTIME TIME,TSTMP TIMESTAMP)");
printf("\nAPDDL sqlstmt=
rc=SQLExecDirect(hstmt,sqlstmt,SQL_NTS);
if( rc != SQL_SUCCESS ) goto dberror;

```

STEP 2. Insert 101 rows into table

```

/* insert 100 rows into table2a */
for (jx=1;jx<=100 ;jx++ ) {
printf("\nAPDIN SQLExecDirect stmt=
strcpy((char *)sqlstmt,"insert into table2a values(");
sprintf((char *)sqlstmt+strlen((char *)sqlstmt),"
strcat((char *)sqlstmt,
",4,8.2E+30,1515151515151.51,'CHAR','VCHAR','LVCCHAR','SBCS'");
strcat((char *)sqlstmt,
", 'MIXED','01/01/1991','3:33 PM','1999-09-09-09.09.09.090909'");
printf("\nAPDIN sqlstmt=
rc=SQLExecDirect(hstmt,sqlstmt,SQL_NTS);
if( rc != SQL_SUCCESS ) goto dberror;
} /* endfor */

```

STEP 3. Define stored procedure with CREATE PROCEDURE SQL statement

```

CREATE PROCEDURE SPD29
(INOUT INTEGER)
PROGRAM TYPE MAIN
EXTERNAL NAME SPD29
COLLID DSNAOCLI
LANGUAGE C
RESULT SET 2
MODIFIES SQL DATA
PARAMETER STYLE GENERAL
WLM ENVIRONMENT WLMENV1;

```

STEP 4. Stored procedure

```

/*START OF SPD29*****
/* PRAGMA TO CALL PLI SUBRTN CSPSUB TO ISSUE CONSOLE MSGS */
#pragma options (rent)
#pragma runopts(plist(os))
/*****
/* Include the 'C' include files */
/*****
#include <stdio.h>
#include <string.h>
#include <stdlib.h>
#include "sqlcli1.h"
#include <sqlca.h>
#include <decimal.h>
#include <wcstr.h>
/*****
/* Variables for COMPARE routines */
/*****
#ifndef NULL
#define NULL 0
#endif

SQLHENV henv = SQL_NULL_HENV;
SQLHDBC hdbc = SQL_NULL_HDBC;
SQLHSTMT hstmt = SQL_NULL_HSTMT;
SQLHSTMT hstmt2 = SQL_NULL_HSTMT;
SQLRETURN rc = SQL_SUCCESS;
SQLINTEGER id;
SQLCHAR name[51];
SQLINTEGER namelen, intlen, colcount;
SQLSMALLINT scale;
struct sqlca sqlca;
SQLCHAR server[18];
SQLCHAR uid[30];
SQLCHAR pwd[30];
SQLCHAR sqlstmt[500];
SQLCHAR sqlstmt2[500];
SQLSMALLINT pccpar=0;
SQLSMALLINT pccol=0;
SQLCHAR cursor[19];

```

```

SQLSMALLINT      cursor_len;

SQLINTEGER       SPCODE;
struct {
    SQLSMALLINT  LEN;
    SQLCHAR      DATA_200"; }      STMTSQL;

SQLSMALLINT      H1SMINT;
SQLINTEGER       H1INT4;
SQLDOUBLE        H1FLOAT8;
SQLDOUBLE        H1DEC312;
SQLCHAR          H1CHR10[11];
SQLCHAR          H1VCHR20[21];
SQLCHAR          H1LVCHR[21];
SQLCHAR          H1CHRSB[11];
SQLCHAR          H1CHRBIT[11];
SQLCHAR          H1DDATE[11];
SQLCHAR          H1TTIME[9];
SQLCHAR          H1TSTMP[27];

```

```

SQLSMALLINT      I1SMINT;
SQLSMALLINT      I1INT4;
SQLSMALLINT      I1FLOAT8;
SQLSMALLINT      I1DEC312;
SQLSMALLINT      I1CHR10;
SQLSMALLINT      I1VCHR20;
SQLSMALLINT      I1LVCHR;
SQLSMALLINT      I1CHRSB;
SQLSMALLINT      I1CHRBIT;
SQLSMALLINT      I1DDATE;
SQLSMALLINT      I1TTIME;
SQLSMALLINT      I1TSTMP;

SQLINTEGER       LEN_H1SMINT;
SQLINTEGER       LEN_H1INT4;
SQLINTEGER       LEN_H1FLOAT8;
SQLINTEGER       LEN_H1DEC312;
SQLINTEGER       LEN_H1CHR10;
SQLINTEGER       LEN_H1VCHR20;
SQLINTEGER       LEN_H1LVCHR;
SQLINTEGER       LEN_H1CHRSB;
SQLINTEGER       LEN_H1CHRBIT;
SQLINTEGER       LEN_H1DDATE;
SQLINTEGER       LEN_H1TTIME;
SQLINTEGER       LEN_H1TSTMP;

SQLSMALLINT      H2SMINT;
SQLINTEGER       H2INT4;
SQLDOUBLE        H2FLOAT8;
SQLCHAR          H2CHR10[11];
SQLCHAR          H2VCHR20[21];
SQLCHAR          H2LVCHR[21];
SQLCHAR          H2CHRSB[11];
SQLCHAR          H2CHRBIT[11];
SQLCHAR          H2DDATE[11];
SQLCHAR          H2TTIME[9];
SQLCHAR          H2TSTMP[27];

SQLSMALLINT      I2SMINT;
SQLSMALLINT      I2INT4;
SQLSMALLINT      I2FLOAT8;
SQLSMALLINT      I2CHR10;
SQLSMALLINT      I2VCHR20;
SQLSMALLINT      I2LVCHR;
SQLSMALLINT      I2CHRSB;
SQLSMALLINT      I2CHRBIT;
SQLSMALLINT      I2DDATE;
SQLSMALLINT      I2TTIME;
SQLSMALLINT      I2TSTMP;

SQLINTEGER       LEN_H2SMINT;
SQLINTEGER       LEN_H2INT4;
SQLINTEGER       LEN_H2FLOAT8;
SQLINTEGER       LEN_H2CHR10;
SQLINTEGER       LEN_H2VCHR20;
SQLINTEGER       LEN_H2LVCHR;
SQLINTEGER       LEN_H2CHRSB;
SQLINTEGER       LEN_H2CHRBIT;
SQLINTEGER       LEN_H2DDATE;

```

```

SQLINTEGER          LEN_H2TTIME;
SQLINTEGER          LEN_H2TSTMP;

```

```

SQLCHAR locsite[18] = "stlec1";
SQLCHAR remsite[18] = "stlec1b";

```

```

SQLCHAR    spname[8];
SQLINTEGER    ix,jx,locix;
SQLINTEGER    result;
SQLCHAR    state_blank[6] ="    ";

```

```

SQLRETURN
check_error(SQLHENV henv,
            SQLHDBC hdbc,
            SQLHSTMT hstmt,
            SQLRETURN frc);

```

```

SQLRETURN
prt_sqlca();

```

```

/*****
/* Main Program
*****/

```

```

SQLINTEGER
main(SQLINTEGER argc, SQLCHAR *argv[] )
{

```

```

    printf("\nSPD29 INITIALIZATION");
    scale = 0;
    rc=0;

```

```

    rc=0;
    SPCODE=0;

```

```

    /* argv0 = sp module name */

```

```

    if (argc != 2)
    {
        printf("SPD29 parm number error\n  ");
        printf("SPD29 EXPECTED = ");
        printf("SPD29 received = ");
        goto dberror;
    }

```

```

    strcpy((char *)spname,(char *)argv[0]);
    result = strcmp((char *)spname,"SPD29",5);
    if (result != 0)
    {
        printf("SPD29 argv0 sp name error\n  ");
        printf("SPD29 compare result = ");
        printf("SPD29 expected = ");
        printf("SPD29 received spname= ");
        printf("SPD29 received argv0 =0]);");
        goto dberror;
    }

```

```

    /* get input srcode value */
    SPCODE = *(SQLINTEGER *) argv[1];
    printf("\nSPD29 SQLAllocEnv    number=    1\n");
    henv=0;

```

```

    rc = SQLAllocEnv(&henv);
    if( rc != SQL_SUCCESS ) goto dberror;
    printf("\nSPD29-henv= ");
    /*****
    printf("\nSPD29 SQLAllocConnect ");
    hdbc=0;
    SQLAllocConnect(henv, &hdbc);
    if( rc != SQL_SUCCESS ) goto dberror;
    printf("\nSPD29-hdbc= ");

```

```

/*****
/* Make sure no autocommits after cursors are allocated, commits */
/* cause sp failure. AUTOCOMMIT=0 could also be specified in the */
/* INI file.
/* Also, sp could be defined with COMMIT_ON_RETURN in the
/* DB2 catalog table SYSIBM.SYSROUTINES, but be wary that this
/* removes control from the client appl to control commit scope. */
/*****
printf("\nSPD29 SQLSetConnectOption-no autocommits in stored procs");
rc = SQLSetConnectOption(hdbc,SQL_AUTOCOMMIT,SQL_AUTOCOMMIT_OFF);
if( rc != SQL_SUCCESS ) goto dberror;
/*****
printf("\nSPD29 SQLConnect NULL connect in stored proc ");
strcpy((char *)uid,"cliuser");
strcpy((char *)pwd,"password");
printf("\nSPD29 server= ");

```

```

printf("\nSPD29 uid=
printf("\nSPD29 pwd=
rc=SQLConnect(hdbc, NULL, 0, uid, SQL_NTS, pwd, SQL_NTS);
if( rc != SQL_SUCCESS ) goto dberror;
/*****
/* Start SQL statements *****/
/*****/
switch(SPCODE)
{
/*****/
/* CASE(SPCODE=0) do nothing and return *****/
/*****/
case 0:
break;
case 1:
/*****/
/* CASE(SPCODE=1) *****/
/* -sqlprepare/sqlexecute insert int4=200 *****/
/* -sqlexecdirect insert int4=201 *****/
/* *validated in client appl that inserts occur *****/
/*****/
SPCODE=0;

printf("\nSPD29 SQLAllocStmt \n");
hstmt=0;
rc=SQLAllocStmt(hdbc, &hstmt);
if( rc != SQL_SUCCESS ) goto dberror;
printf("\nSPD29-hstmt=

printf("\nSPD29 SQLPrepare \n");
strcpy((char *)sqlstmt,
"insert into TABLE2A(int4) values(?)");
printf("\nSPD29 sqlstmt=
rc=SQLPrepare(hstmt,sqlstmt,SQL_NTS);
if( rc != SQL_SUCCESS ) goto dberror;

printf("\nSPD29 SQLNumParams \n");
rc=SQLNumParams(hstmt,&pccpar);
if( rc != SQL_SUCCESS ) goto dberror;
if (pccpar!=1) {
printf("\nSPD29 incorrect pccpar=
goto dberror;
}

printf("\nSPD29 SQLBindParameter int4 \n");
H1INT4=200;
LEN_H1INT4=sizeof(H1INT4);
rc=SQLBindParameter(hstmt,1,SQL_PARAM_INPUT,SQL_C_LONG,
SQL_INTEGER,0,0,&H1INT4,0,(SQLINTEGER *)&LEN_H1INT4);
if( rc != SQL_SUCCESS) goto dberror;

printf("\nSPD29 SQLExecute \n");
rc=SQLExecute(hstmt);
if( rc != SQL_SUCCESS) goto dberror;

printf("\nSPD29 SQLFreeStmt \n");
rc=SQLFreeStmt(hstmt, SQL_DROP);
if( rc != SQL_SUCCESS ) goto dberror;
/*****/
printf("\nAPDIN SQLAllocStmt stmt=
hstmt=0;
rc=SQLAllocStmt(hdbc, &hstmt);
if( rc != SQL_SUCCESS ) goto dberror;
printf("\nAPDIN-hstmt=

jx=201;
printf("\nAPDIN SQLExecDirect stmt=
strcpy((char *)sqlstmt,"insert into table2a values(");
sprintf((char *)sqlstmt+strlen((char *)sqlstmt),"
strcat((char *)sqlstmt,
",4,8.2E+30,1515151515151.51, 'CHAR', 'VCHAR', 'LVCHAR', 'SBCS'");
strcat((char *)sqlstmt,
", 'MIXED', '01/01/1991', '3:33 PM', '1999-09-09-09.09.090909'");
printf("\nAPDIN sqlstmt=
rc=SQLExecDirect(hstmt,sqlstmt,SQL_NTS);
if( rc != SQL_SUCCESS ) goto dberror;

break;
/*****/
case 2:
/*****/

```

```

/* CASE(SPCODE=2) *****/
/* -sqlprepare/sqlexecute select int4 from table2a *****/
/* -sqlprepare/sqlexecute select chr10 from table2a *****/
/* *qrs cursors should be allocated and left open by CLI *****/
/*****/
SPCODE=0;

/* generate 1st query result set */
printf("\nSPD29 SQLAllocStmt \n");
hstmt=0;
rc=SQLAllocStmt(hdbc, &hstmt);
if( rc != SQL_SUCCESS ) goto dberror;
printf("\nSPD29-hstmt=

printf("\nSPD29 SQLPrepare \n");
strcpy((char *)sqlstmt,
"SELECT INT4 FROM TABLE2A");
printf("\nSPD29 sqlstmt=
rc=SQLPrepare(hstmt,sqlstmt,SQL_NTS);
if( rc != SQL_SUCCESS ) goto dberror;

printf("\nSPD29 SQLExecute \n");
rc=SQLExecute(hstmt);
if( rc != SQL_SUCCESS ) goto dberror;

/* allocate 2nd stmt handle for 2nd queryresultset */
/* generate 2nd queryresultset */
printf("\nSPD29 SQLAllocStmt \n");
hstmt=0;
rc=SQLAllocStmt(hdbc, &hstmt2);
if( rc != SQL_SUCCESS ) goto dberror;
printf("\nSPD29-hstmt2=

printf("\nSPD29 SQLPrepare \n");
strcpy((char *)sqlstmt2,
"SELECT CHR10 FROM TABLE2A");
printf("\nSPD29 sqlstmt2=
rc=SQLPrepare(hstmt2,sqlstmt2,SQL_NTS);
if( rc != SQL_SUCCESS ) goto dberror;

printf("\nSPD29 SQLExecute \n");
rc=SQLExecute(hstmt2);
if( rc != SQL_SUCCESS ) goto dberror;

/*leave queryresultset cursor open for fetch back at client appl */

break;
/*****/
default:
{
printf("SPD29 INPUT SPCODE INVALID\n");
printf("SPD29...EXPECTED SPCODE=0-2\n");
printf("SPD29...RECEIVED SPCODE=
goto dberror;
break;
}
}
/*****/
/* End SQL statements *****/
/*****/
/*Be sure NOT to put a SQLTransact with SQL_COMMIT in a DB2 or */
/* z/OS stored procedure. Commit is not allowed in a DB2 or */
/* z/OS stored procedure. Use SQLTransact with SQL_ROLLBACK to */
/* force a must rollback condition for this sp and calling */
/* client application. */
/*****/
printf("\nSPD29 SQLDisconnect number= 4\n");
rc=SQLDisconnect(hdbc);
if( rc != SQL_SUCCESS ) goto dberror;
/*****/
printf("\nSPD29 SQLFreeConnect number= 5\n");
rc = SQLFreeConnect(hdbc);
if( rc != SQL_SUCCESS ) goto dberror;
/*****/
printf("\nSPD29 SQLFreeEnv number= 6\n");
rc = SQLFreeEnv(henv);
if( rc != SQL_SUCCESS ) goto dberror;
/*****/
goto pgmend;

dberror:

```



```

printf("\nSPD29 entry dberror label");
printf("\nSPD29 rc=
check_error(henv,hdbc,hstmt,rc);
printf("\nSPD29 SQLFreeEnv      number=      7\n");
rc = SQLFreeEnv(henv);

```

```

printf("\nSPD29 rc=
rc=12;
rc=12;
SPCODE=12;
goto pgmend;

pgmend:

printf("\nSPD29  TERMINATION  ");
if (rc!=0)
{
printf("\nSPD29 WAS NOT SUCCESSFUL");
printf("\nSPD29 SPCODE   =
printf("\nSPD29 rc      =
}
else
{
printf("\nSPD29 WAS SUCCESSFUL");
}
/* assign output srcode value */
*(SQLINTEGER *) argv[1] = SPCODE;
exit;
} /*END MAIN*/
/*****
** check_error - call print_error(), checks severity of return code
*****/
SQLRETURN
check_error(SQLHENV henv,
            SQLHDBC hdbc,
            SQLHSTMT hstmt,
            SQLRETURN frc )
{
SQLCHAR      buffer[SQL_MAX_MESSAGE_LENGTH + 1];
SQLCHAR      cli_sqlstate[SQL_SQLSTATE_SIZE + 1];
SQLINTEGER   cli_sqlcode;
SQLSMALLINT  length;

printf("\nSPD29 entry check_error rtn");

switch (frc) {
case SQL_SUCCESS:
break;
case SQL_INVALID_HANDLE:
printf("\nSPD29 check_error> SQL_INVALID HANDLE ");
case SQL_ERROR:
printf("\nSPD29 check_error> SQL_ERROR ");
break;
case SQL_SUCCESS_WITH_INFO:
printf("\nSPD29 check_error> SQL_SUCCESS_WITH_INFO");
break;
case SQL_NO_DATA_FOUND:
printf("\nSPD29 check_error> SQL_NO_DATA_FOUND ");
break;
default:
printf("\nSPD29 check_error> Invalid rc from api rc=
break;
} /*end switch*/

```

```

printf("\nSPD29 SQLError  ");
while ((rc=SQLError(henv, hdbc, hstmt, cli_sqlstate, &cli_sqlcode,
buffer,SQL_MAX_MESSAGE_LENGTH + 1, &length)) == SQL_SUCCESS) {
printf("      SQLSTATE:
printf("Native Error Code:
printf("
};
if (rc!=SQL_NO_DATA_FOUND)
printf("SQLError api call failed rc=

printf("\nSPD29 SQLGetSQLCA  ");
rc = SQLGetSQLCA(henv, hdbc, hstmt, &sqlca);
if( rc == SQL_SUCCESS )
prt_sqlca();
else
printf("\n SPD29-check_error SQLGetSQLCA failed rc=

```

```

    return (frc);
}
/*****
/*          P r i n t   S Q L C A          */
*****/
SQLRETURN
prt_sqlca()
{
    SQLINTEGER i;
    printf("\nSPD29 entry prts_sqlca rtn");
    printf("\r\r*** Printing the SQLCA:\r");
    printf("\nSQLCAID ...
    printf("\nSQLCABC ...
    printf("\nSQLCODE ...
    printf("\nSQLERRML ...
    printf("\nSQLERRMC ...
    printf("\nSQLERRP ...
    for (i = 0; i < 6; i++)
        printf("\nSQLERRD
    for (i = 0; i < 10; i++)
        printf("\nSQLWARNi]);
    printf("\nSQLWARNA ... 10]);
    printf("\nSQLSTATE ...

    return(0);
}
/* End of prtsqlca */
/*****
/*END OF SPD29 *****/

```

STEP 5. Client application

```

/*****
/*START OF SPD29*****/
/* SCEANRIO PSEUDOCODE: */
/* APD29(CLI CODE CLIENT APPL) */
/* -CALL SPD29 (CLI CODE STORED PROCEDURE APPL) */
/* -SPCODE=0 */
/* -PRINTF MSGS (CHECK SDSF FOR SPAS ADDR TO VERIFY) */
/* -SPCODE=1 */
/* -PRINTF MSGS (CHECK SDSF FOR SPAS ADDR TO VERIFY) */
/* -SQLPREPARE/EXECUTE INSERT INT4=200 */
/* -SQLEXECDIRECT INSERT INT4=201 */
/* -SPCODE=2 */
/* -PRINTF MSGS (CHECK SDSF FOR SPAS ADDR TO VERIFY) */
/* -SQLPREPARE/EXECUTE SELECT INT4 FROM TABLE2A */
/* -SQLPREPARE/EXECUTE SELECT CHR10 FROM TABLE2A */
/* (CLI CURSORS OPENED 'WITH RETURN')... */
/* -RETURN */
/* -FETCH QRS FROM SP CURSOR */
/* -COMMIT */
/* -VERIFY INSERTS BY SPD29 */
*****/
/* Include the 'C' include files */
*****/
#include <stdio.h>
#include <string.h>
#include <stdlib.h>
#include "sqlcli1.h"
#include <sqlca.h>
/*****
/* Variables for COMPARE routines */
*****/
#ifndef NULL
#define NULL 0
#endif

SQLHENV henv = SQL_NULL_HENV;
SQLHDBC hdbc = SQL_NULL_HDBC;
SQLHSTMT hstmt = SQL_NULL_HSTMT;
SQLRETURN rc = SQL_SUCCESS;
SQLINTEGER id;
SQLCHAR name[51];
SQLINTEGER namelen, intlen, colcount;
SQLSMALLINT scale;
struct sqlca sqlca;
SQLCHAR server[18];
SQLCHAR uid[30];
SQLCHAR pwd[30];
SQLCHAR sqlstmt[250];
SQLSMALLINT pcpair=0;
SQLSMALLINT pccol=0;

```

```

SQLINTEGER      SPCODE;
struct {
    SQLSMALLINT LEN;
    SQLCHAR      DATA[200]; }          STMTSQL;

```

```

SQLSMALLINT      H1SMINT;
SQLINTEGER        H1INT4;
SQLDOUBLE         H1FLOAT8;
SQLDOUBLE         H1DEC312;
SQLCHAR           H1CHR10[11];
SQLCHAR           H1VCHR20[21];
SQLCHAR           H1LVCHR[21];
SQLCHAR           H1CHRSB[11];
SQLCHAR           H1CHRBIT[11];
SQLCHAR           H1DDATE[11];
SQLCHAR           H1TTIME[9];
SQLCHAR           H1TSTMP[27];

```

```

SQLSMALLINT      I1SMINT;
SQLSMALLINT      I1INT4;
SQLSMALLINT      I1FLOAT8;
SQLSMALLINT      I1DEC312;
SQLSMALLINT      I1CHR10;
SQLSMALLINT      I1VCHR20;
SQLSMALLINT      I1LVCHR;
SQLSMALLINT      I1CHRSB;
SQLSMALLINT      I1CHRBIT;
SQLSMALLINT      I1DDATE;
SQLSMALLINT      I1TTIME;
SQLSMALLINT      I1TSTMP;

```

```

SQLINTEGER        LNH1SMINT;
SQLINTEGER        LNH1INT4;
SQLINTEGER        LNH1FLOAT8;
SQLINTEGER        LNH1DEC312;
SQLINTEGER        LNH1CHR10;
SQLINTEGER        LNH1VCHR20;
SQLINTEGER        LNH1LVCHR;
SQLINTEGER        LNH1CHRSB;
SQLINTEGER        LNH1CHRBIT;
SQLINTEGER        LNH1DDATE;
SQLINTEGER        LNH1TTIME;
SQLINTEGER        LNH1TSTMP;

```

```

SQLSMALLINT      H2SMINT;
SQLINTEGER        H2INT4;
SQLDOUBLE         H2FLOAT8;
SQLCHAR           H2CHR10[11];
SQLCHAR           H2VCHR20[21];
SQLCHAR           H2LVCHR[21];
SQLCHAR           H2CHRSB[11];
SQLCHAR           H2CHRBIT[11];
SQLCHAR           H2DDATE[11];
SQLCHAR           H2TTIME[9];
SQLCHAR           H2TSTMP[27];

```

```

SQLSMALLINT      I2SMINT;
SQLSMALLINT      I2INT4;
SQLSMALLINT      I2FLOAT8;
SQLSMALLINT      I2CHR10;
SQLSMALLINT      I2VCHR20;
SQLSMALLINT      I2LVCHR;
SQLSMALLINT      I2CHRSB;
SQLSMALLINT      I2CHRBIT;
SQLSMALLINT      I2DDATE;
SQLSMALLINT      I2TTIME;
SQLSMALLINT      I2TSTMP;

```

```

SQLINTEGER        LNH2SMINT;
SQLINTEGER        LNH2INT4;
SQLINTEGER        LNH2FLOAT8;
SQLINTEGER        LNH2CHR10;
SQLINTEGER        LNH2VCHR20;
SQLINTEGER        LNH2LVCHR;
SQLINTEGER        LNH2CHRSB;
SQLINTEGER        LNH2CHRBIT;
SQLINTEGER        LNH2DDATE;
SQLINTEGER        LNH2TTIME;
SQLINTEGER        LNH2TSTMP;

```

```

SQLCHAR locsite[18] = "stlec1";
SQLCHAR remsite[18] = "stlec1b";

SQLINTEGER ix,jx,locix;
SQLINTEGER result;
SQLCHAR state_blank[6] = " ";

SQLRETURN
check_error(SQLHENV henv,
            SQLHDBC hdbc,
            SQLHSTMT hstmt,
            SQLRETURN irc);

SQLRETURN
prt_sqlca();
/*****
/* Main Program */
*****/
SQLINTEGER
main()
{
    printf("\nAPD29 INITIALIZATION");
    scale = 0;
    rc=0;

    printf("\nAPD29 SQLAllocEnv stmt=
henv=0;
rc = SQLAllocEnv(&henv);
if( rc != SQL_SUCCESS ) goto dberror;
printf("\nAPD29-henv=

for (locix=1;locix<=2;locix++)
{
/* Start SQL statements *****/
/*****
printf("\nAPD29 SQLAllocConnect
hdbc=0;
SQLAllocConnect(henv, &hdbc);
if( rc != SQL_SUCCESS ) goto dberror;
printf("\nAPD29-hdbc=
/*****
printf("\nAPD29 SQLConnect
if (locix == 1)
{
strcpy((char *)server,(char *)locsite);
}
else
{
strcpy((char *)server,(char *)remsite);
}

strcpy((char *)uid,"cliuser");
strcpy((char *)pwd,"password");
printf("\nAPD29 server=
printf("\nAPD29 uid=
printf("\nAPD29 pwd=
rc=SQLConnect(hdbc, server, SQL_NTS, uid, SQL_NTS, pwd, SQL_NTS);
if( rc != SQL_SUCCESS ) goto dberror;
/*****
/* CASE(SPCODE=0) QRS RETURNED=0 COL=0 ROW=0 */
*****/
printf("\nAPD29 SQLAllocStmt stmt=
hstmt=0;
rc=SQLAllocStmt(hdbc, &hstmt);
if( rc != SQL_SUCCESS ) goto dberror;
printf("\nAPD29-hstmt=

SPCODE=0;
printf("\nAPD29 call sp SPCODE =
printf("\nAPD29 SQLPrepare stmt=
strcpy((char*)sqlstmt,"CALL SPD29(?)");
printf("\nAPD29 sqlstmt=
rc=SQLPrepare(hstmt,sqlstmt,SQL_NTS);
if( rc != SQL_SUCCESS ) goto dberror;

printf("\nAPD29 SQLBindParameter stmt=
rc = SQLBindParameter(hstmt,
1,
SQL_PARAM_INPUT_OUTPUT,
SQL_C_LONG,
SQL_INTEGER,

```

```

        0,
        0,
        &SPCODE,
        0,
        NULL);
if( rc != SQL_SUCCESS ) goto dberror;

printf("\nAPD29 SQLExecute stmt=
rc=SQLExecute(hstmt);
if( rc != SQL_SUCCESS ) goto dberror;
if( SPCODE != 0 )
{
    printf("\nAPD29 SPCODE not zero, spcode=
    goto dberror;
}

printf("\nAPD29 SQLTransact stmt=
rc=SQLTransact(henv, hdbc, SQL_COMMIT);
if( rc != SQL_SUCCESS ) goto dberror;

printf("\nAPD29 SQLFreeStmt stmt=
rc=SQLFreeStmt(hstmt, SQL_DROP);
if( rc != SQL_SUCCESS ) goto dberror;
/*****
/* CASE(SPCODE=1) QRS RETURNED=0 COL=0 ROW=0 */
/*****
printf("\nAPD29 SQLAllocStmt stmt=
hstmt=0;
rc=SQLAllocStmt(hdbc, &hstmt);
if( rc != SQL_SUCCESS ) goto dberror;
printf("\nAPD29-hstmt=

SPCODE=1;
printf("\nAPD29 call sp SPCODE =
printf("\nAPD29 SQLPrepare stmt=
strcpy((char*)sqlstmt, "CALL SPD29(?)");
printf("\nAPD29 sqlstmt=
rc=SQLPrepare(hstmt, sqlstmt, SQL_NTS);
if( rc != SQL_SUCCESS ) goto dberror;

printf("\nAPD29 SQLBindParameter stmt=
rc = SQLBindParameter(hstmt,
    1,
    SQL_PARAM_INPUT_OUTPUT,
    SQL_C_LONG,
    SQL_INTEGER,
    0,
    0,
    &SPCODE,
    0,
    NULL);
if( rc != SQL_SUCCESS ) goto dberror;

printf("\nAPD29 SQLExecute stmt=
rc=SQLExecute(hstmt);
if( rc != SQL_SUCCESS ) goto dberror;
if( SPCODE != 0 )
{
    printf("\nAPD29 SPCODE not zero, spcode=
    goto dberror;
}

printf("\nAPD29 SQLTransact stmt=
rc=SQLTransact(henv, hdbc, SQL_COMMIT);
if( rc != SQL_SUCCESS ) goto dberror;

printf("\nAPD29 SQLFreeStmt stmt=
rc=SQLFreeStmt(hstmt, SQL_DROP);
if( rc != SQL_SUCCESS ) goto dberror;
/*****
/* CASE(SPCODE=2) QRS RETURNED=2 COL=1(int4/chr10) ROW=100+ */
/*****
printf("\nAPD29 SQLAllocStmt          number= 18\n");
hstmt=0;
rc=SQLAllocStmt(hdbc, &hstmt);
if( rc != SQL_SUCCESS ) goto dberror;
printf("\nAPD29-hstmt=

SPCODE=2;
printf("\nAPD29 call sp SPCODE =
printf("\nAPD29 SQLPrepare          number= 19\n");

```

```
strcpy((char*)sqlstmt,"CALL SPD29(?)");
printf("\nAPD29 sqlstmt=
rc=SQLPrepare(hstmt,sqlstmt,SQL_NTS);
if( rc != SQL_SUCCESS ) goto dberror;
```

```
printf("\nAPD29 SQLBindParameter      number= 20\n");
rc = SQLBindParameter(hstmt,
    1,
    SQL_PARAM_INPUT_OUTPUT,
    SQL_C_LONG,
    SQL_INTEGER,
    0,
    0,
    &SPCODE,
    0,
    NULL);
if( rc != SQL_SUCCESS ) goto dberror;

printf("\nAPD29 SQLExecute      number= 21\n");
rc=SQLExecute(hstmt);
if( rc != SQL_SUCCESS ) goto dberror;
if( SPCODE != 0 )
{
    printf("\nAPD29 spcode incorrect");
    goto dberror;
}

printf("\nAPD29 SQLNumResultCols      number= 22\n");
rc=SQLNumResultCols(hstmt,&pccol);
if (pccol!=1)
{
    printf("APD29 col count wrong=
    goto dberror;
}

printf("\nAPD29 SQLBindCol      number= 23\n");
rc=SQLBindCol(hstmt,
    1,
    SQL_C_LONG,
    (SQLPOINTER) &H1INT4,
    (SQLINTEGER)sizeof(SQLINTEGER),
    (SQLINTEGER *) &LNH1INT4
);
if( rc != SQL_SUCCESS ) goto dberror;

jx=0;
printf("\nAPD29 SQLFetch      number= 24\n");
while ((rc = SQLFetch(hstmt)) == SQL_SUCCESS)
{
    jx++;
    printf("\nAPD29 fetch loop jx =
    if ( (H1INT4<=0) || (H1INT4>=202)
        || (LNH1INT4!=4 && LNH1INT4!=-1) )
    { /* data error */
        printf("\nAPD29 H1INT4=
        printf("\nAPD29 LNH1INT4=
        goto dberror;
    }
    printf("\nAPD29 SQLFetch      number= 24\n");
} /* end while loop */

if( rc != SQL_NO_DATA_FOUND )
{
    printf("\nAPD29 invalid end of data\n");
    goto dberror;
}
}
```

```
printf("\nAPD29 SQLMoreResults      number= 25\n");
rc=SQLMoreResults(hstmt);
if(rc != SQL_SUCCESS) goto dberror;

printf("\nAPD29 SQLNumResultCols      number= 26\n");
rc=SQLNumResultCols(hstmt,&pccol);
if (pccol!=1) {
    printf("APD29 col count wrong=
    goto dberror;
}

printf("\nAPD29 SQLBindCol      number= 27\n");
rc=SQLBindCol(hstmt,
    1,
```

```

                SQL_C_CHAR,
                (SQLPOINTER) H1CHR10,
                (SQLINTEGER) sizeof(H1CHR10),
                (SQLINTEGER *) &LNH1CHR10
            );
if( rc != SQL_SUCCESS ) goto dberror;

jx=0;
while ((rc = SQLFetch(hstmt)) == SQL_SUCCESS)
{
    jx++;
    printf("\nAPD29 fetch loop jx =
        result=strcmp((char *)H1CHR10,"CHAR
        ");
    if ( (result!=0)
        || (LNH1INT4!=4 && LNH1INT4!=-1) )
    {
        printf("\nAPD29 H1CHR10=
        printf("\nAPD29 result=
        printf("\nAPD29 LNH1CHR10=
        printf("\nAPD29 strlen(H1CHR10)=
        goto dberror;
    }
    printf("\nAPD29 SQLFetch          number= 24\n");
} /* end while loop */

if( rc != SQL_NO_DATA_FOUND )
    goto dberror;

printf("\nAPD29 SQLMoreResults      number= 29\n");
rc=SQLMoreResults(hstmt);
if( rc != SQL_NO_DATA_FOUND) goto dberror;

printf("\nAPD29 SQLTransact         number= 30\n");
rc=SQLTransact(henv, hdbc, SQL_COMMIT);
if( rc != SQL_SUCCESS ) goto dberror;

printf("\nAPD29 SQLFreeStmt         number= 31\n");
rc=SQLFreeStmt(hstmt, SQL_DROP);
if( rc != SQL_SUCCESS ) goto dberror;
/*****
printf("\nAPD29 SQLDisconnect stmt=
rc=SQLDisconnect(hdbc);
if( rc != SQL_SUCCESS ) goto dberror;
*****/
/*****
printf("\nSQLFreeConnect stmt=
rc=SQLFreeConnect(hdbc);
if( rc != SQL_SUCCESS ) goto dberror;
*****/
/*****
/* End SQL statements *****/
} /* end for each site perform these stmts */

for (locix=1;locix<=2;locix++)
{
/*****
printf("\nAPD29 SQLAllocConnect
hdbc=0;
SQLAllocConnect(henv, &hdbc);
if( rc != SQL_SUCCESS ) goto dberror;
printf("\nAPD29-hdbc=
*****/
printf("\nAPD29 SQLConnect
");
if (locix == 1)
{
strcpy((char *)server,(char *)locsite);
}
else
{
strcpy((char *)server,(char *)remsite);
}

strcpy((char *)uid,"cliuser");
strcpy((char *)pwd,"password");
printf("\nAPD29 server=
printf("\nAPD29 uid=
printf("\nAPD29 pwd=
rc=SQLConnect(hdbc, server, SQL_NTS, uid, SQL_NTS, pwd, SQL_NTS);
if( rc != SQL_SUCCESS ) goto dberror;
/*****
/* Start validate SQL statements *****/
/*****
printf("\nAPD01 SQLAllocStmt          \n");

```

```

hstmt=0;
rc=SQLAllocStmt(hdbc, &hstmt);
if( rc != SQL_SUCCESS ) goto dberror;
printf("\nAPD01-hstmt=

printf("\nAPD01 SQLExecDirect                                \n");
strcpy((char *)sqlstmt,
"SELECT INT4 FROM TABLE2A WHERE INT4=200");
printf("\nAPD01 sqlstmt=
rc=SQLExecDirect(hstmt,sqlstmt,SQL_NTS);
if( rc != SQL_SUCCESS ) goto dberror;

printf("\nAPD01 SQLBindCol                                \n");
rc=SQLBindCol(hstmt,
1,
SQL_C_LONG,
(SQLPOINTER) &H1INT4,;
(SQLINTEGER)sizeof(SQLINTEGER),
(SQLINTEGER *) &LNH1INT4
);
if( rc != SQL_SUCCESS ) goto dberror;

printf("\nAPD01 SQLFetch                                \n");
rc=SQLFetch(hstmt);
if( rc != SQL_SUCCESS ) goto dberror;
if ((H1INT4!=200) || (LNH1INT4!=4))
{
printf("\nAPD01 H1INT4=
printf("\nAPD01 LNH1INT4=
goto dberror;
}

printf("\nAPD01 SQLTransact                                \n");
rc=SQLTransact(henv, hdbc, SQL_COMMIT);
if( rc != SQL_SUCCESS ) goto dberror;

printf("\nAPD01 SQLFreeStmt                                \n");
rc=SQLFreeStmt(hstmt, SQL_CLOSE);
if( rc != SQL_SUCCESS ) goto dberror;

printf("\nAPD01 SQLExecDirect                                \n");
strcpy((char *)sqlstmt,
"SELECT INT4 FROM TABLE2A WHERE INT4=201");
printf("\nAPD01 sqlstmt=
rc=SQLExecDirect(hstmt,sqlstmt,SQL_NTS);
if( rc != SQL_SUCCESS ) goto dberror;

printf("\nAPD01 SQLFetch                                \n");
rc=SQLFetch(hstmt);
if( rc != SQL_SUCCESS ) goto dberror;
if ((H1INT4!=201) || (LNH1INT4!=4))
{
printf("\nAPD01 H1INT4=
printf("\nAPD01 LNH1INT4=
goto dberror;
}

printf("\nAPD01 SQLTransact                                \n");
rc=SQLTransact(henv, hdbc, SQL_COMMIT);
if( rc != SQL_SUCCESS ) goto dberror;

printf("\nAPD01 SQLFreeStmt                                \n");
rc=SQLFreeStmt(hstmt, SQL_DROP);
if( rc != SQL_SUCCESS ) goto dberror;
/*****/
/* End validate SQL statements *****/
/*****/
printf("\nAPD29 SQLDisconnect stmt=
rc=SQLDisconnect(hdbc);
if( rc != SQL_SUCCESS ) goto dberror;
/*****/
printf("\nSQLFreeConnect stmt=
rc=SQLFreeConnect(hdbc);
if( rc != SQL_SUCCESS ) goto dberror;
} /* end for each site perform these stmts */
/*****/
printf("\nSQLFreeEnv stmt=
rc=SQLFreeEnv(henv);
if( rc != SQL_SUCCESS ) goto dberror;
/*****/
goto pgmend;

```



```

dberror:
printf("\nAPD29 entry dberror label");
printf("\nAPD29 rc=
check_error(henv,hdbc,hstmt,rc);
printf("\nAPDXX SQLFreeEnv      number=      6\n");
rc=SQLFreeEnv(henv);
printf("\nAPDXX FREEENV rc =
rc=12;
printf("\nAPDXX DBERROR set rc =
goto pgmend;

```

```

pgmend:
printf("\nAPD29 TERMINATION  ");
if (rc!=0)
{
printf("\nAPD29 WAS NOT SUCCESSFUL");
printf("\nAPD29 SPCODE =
printf("\nAPD29 rc      =
}
else
printf("\nAPD29 WAS SUCCESSFUL");

return(rc);
} /*END MAIN*/
/*****
** check_error - call print_error(), checks severity of return code
*****/
SQLRETURN
check_error(SQLHENV henv,
            SQLHDBC hdbc,
            SQLHSTMT hstmt,
            SQLRETURN frc )
{
SQLCHAR      buffer_SQL_MAX_MESSAGE_LENGTH + 1";
SQLCHAR      cli_sqlstate_SQL_SQLSTATE_SIZE + 1";
SQLINTEGER   cli_sqlcode;
SQLSMALLINT  length;

printf("\nAPD29 entry check_error rtn");

switch (frc) {
case SQL_SUCCESS:
break;
case SQL_INVALID_HANDLE:
printf("\nAPD29 check_error> SQL_INVALID_HANDLE ");
case SQL_ERROR:
printf("\nAPD29 check_error> SQL_ERROR ");
break;
case SQL_SUCCESS_WITH_INFO:
printf("\nAPD29 check_error> SQL_SUCCESS_WITH_INFO");
break;
case SQL_NO_DATA_FOUND:
printf("\nAPD29 check_error> SQL_NO_DATA_FOUND ");
break;
default:
printf("\nAPD29 check_error> Invalid rc from api rc=
break;
} /*end switch*/

printf("\nAPD29 SQLError  ");
while ((rc=SQLError(henv, hdbc, hstmt, cli_sqlstate, &cli_sqlcode,
buffer,SQL_MAX_MESSAGE_LENGTH + 1, &length)) == SQL_SUCCESS) {
printf("      SQLSTATE:
printf("Native Error Code:
printf("
};
if (rc!=SQL_NO_DATA_FOUND)
printf("SQLError api call failed rc=

```

```

printf("\nAPD29 SQLGetSQLCA  ");
rc = SQLGetSQLCA(henv, hdbc, hstmt, &sqlca);
if( rc == SQL_SUCCESS )
prt_sqlca();
else
printf("\n APD29-check_error SQLGetSQLCA failed rc=

return (frc);

```

```

}
/*****
/*          P r i n t   S Q L C A          */
*****/
SQLRETURN
prt_sqlca()
{
    SQLINTEGER i;
    printf("\nAPD29 entry prts_sqlca rtn");
    printf("\r\r*** Printing the SQLCA:\r");
    printf("\nSQLCAID ....");
    printf("\nSQLCABC ....");
    printf("\nSQLCODE ....");
    printf("\nSQLERRML ...");
    printf("\nSQLERRMC ...");
    printf("\nSQLERRP ...");
    for (i = 0; i < 6; i++)
        printf("\nSQLERRD");
    for (i = 0; i < 10; i++)
        printf("\nSQLWARNi]);");
    printf("\nSQLWARNA ... 10]);");
    printf("\nSQLSTATE ...");

    return(0);
}
/* End of prtsqlca */
/*END OF APD29*****/

```

Appendix A. Node.js support in Db2 for z/OS

Application programs that are written in the Node.js language can access data in Db2 for z/OS by using the IBM_DB Node.js driver through Db2 for z/OS ODBC.

Before you begin

- Apply the PTF for [APAR PH05953](#) at minimum, and check for later ODBC-related APARs.
- Ensure that the ODBC CLI driver is installed and configured, as described in [Chapter 3, “Configuring Db2 ODBC and running sample applications,” on page 39.](#)

Procedure

To install and configure the IBM_DB Node.js driver, follow the instructions in [IBM_DB Node.js Support for IBM Db2 for z/OS and IBM Informix databases.](#)

Related information

[IBM_DB Node.js Support for IBM Db2 for z/OS and IBM Informix databases](#)

[IBM Open Enterprise SDK for Node.js](#)

Appendix B. Python support for Db2 for z/OS

Application programs that are written in the Python language can access data in Db2 for z/OS by using the IBM_DB Python driver, which accesses the data through Db2 for z/OS ODBC.

Before you begin

- Apply the PTF for [APAR PH41045](#) at a minimum, and check for later ODBC-related APARs.
- Ensure that the ODBC CLI driver is installed and configured. For more information, see [Chapter 3, “Configuring Db2 ODBC and running sample applications,”](#) on page 39.

Procedure

To install and configure the IBM_DB Python driver, follow the instructions in [IBM_DB Python Support for IBM Db2 for z/OS and IBM Informix databases](#).

Related information

[IBM_DB Python Support for IBM Db2 for z/OS and IBM Informix databases](#)
[IBM Open Enterprise SDK for Python](#)

Troubleshooting IBM_DB Python driver support through Db2 for z/OS ODBC

If you encounter problems when the IBM_DB Python driver accesses data through Db2 for z/OS ODBC, you can enable the application trace to collect diagnostics data for the problem.

Before you begin

- If the application fails with SQLCODE -805, the likely reason is that the Db2 for z/OS ODBC packages are not correctly bound. You can find a customizable sample JCL job in member DSNTIJCL of the SDSNSAMP data set. For more information, see [“Db2 ODBC run time environment setup”](#) on page 41.
- If the application packages are already bound, ensure that the correct bind options and DBRM library are used. Then, check the settings in the ODBC initialization file.
- If you are unsure whether the problem is related to the IBM_DB Python driver or Db2 for z/OS ODBC, open a case with IBM Support for Db2 for z/OS.
- If you are certain that the problem is related to Python or the IBM_DB Python driver, open a case with IBM Support for IBM Open Enterprise Python for z/OS.

Procedure

If you suspect the problem is related to ODBC CLI driver support of the IBM_DB Python driver, collect the following diagnostics items before you open a support case with IBM Support for Db2 for z/OS ODBC.

1. Enable the following traces in the ODBC initialization file:

a) Enable the application trace with the following keywords:

```
APPLTRACE=1
APPLTRACEFILENAME=appltrace-filename
```

appltrace-filename must be a z/OS UNIX System Services HFS file name.

b) Enable the diagnostics trace with the following keywords:

```
DIAGTRACE=1
DIAGTRACE_BUFFER_SIZE = buffer-size
```

For more information about setting these trace options, see [“Db2 ODBC initialization keywords”](#) on page 60.

2. Check the format and settings in the ODBC initialization file:

If an error occurs for `ibm_db.connect()` and no application trace file is generated:

The problem might be an incorrect text flag setting for the initialization file.

- a. To check the format, issue the following command :

```
$ chtag -p $DSNAOINI
```

You might see the following output:

```
t IBM-1047 T=on file1
```

- b. Issue one of the following commands:

Data format	Command to issue
Binary data	<code>chtag -b \$DSNAOINI</code>
Mixed data	<code>chtag -m -c IBM-1047 \$DSNAOINI</code>

- c. Issue the following command again to verify the update:

```
$ chtag -p $DSNAOINI
```

The expected output, which depends on the data format of the initialization file, is similar to the following examples:

Data format	Expected output
Binary	<code>b binary T=off file1</code>
Mixed	<code>m IBM-1047 T=off file2</code>

If a configuration keyword is unrecognized:

- The encoding scheme of the ODBC initialization file must be EBCDIC.
- The keywords must be defined in the correct sections (common, subsystem, or data source) of the ODBC initialization file.

3. If the application trace is not readable by using the cat trace file name, complete the following steps:

- a) Issue the following command to check the trace format:

```
ls -lT appltrace-filename
```

If the application trace file is not in EBCDIC format, something like the following output might be returned:

```
t IS08859-1 T=on
```

- b) Issue the following command to make the application trace file readable:

```
chhtag -tc IBM-1047 appltrace-filename
```

Related tasks

[Contacting IBM Support about Db2 problems \(Troubleshooting problems in Db2\)](#)

**Related information**

[IBM_DB Python Support for IBM Db2 for z/OS and IBM Informix databases](#)

Information resources for Db2 for z/OS and related products

You can find the online product documentation for Db2 12 for z/OS and related products in IBM Documentation.

For all online product documentation for Db2 12 for z/OS, see [IBM Documentation \(https://www.ibm.com/docs/en/db2-for-zos/12\)](https://www.ibm.com/docs/en/db2-for-zos/12).

For other PDF manuals, see [PDF format manuals for Db2 12 for z/OS \(https://www.ibm.com/docs/en/db2-for-zos/12?topic=zos-pdf-format-manuals-db2-12\)](https://www.ibm.com/docs/en/db2-for-zos/12?topic=zos-pdf-format-manuals-db2-12).

Notices

This information was developed for products and services offered in the US. This material might be available from IBM in other languages. However, you may be required to own a copy of the product or product version in that language in order to access it.

IBM may not offer the products, services, or features discussed in this document in other countries. Consult your local IBM representative for information on the products and services currently available in your area. Any reference to an IBM product, program, or service is not intended to state or imply that only that IBM product, program, or service may be used. Any functionally equivalent product, program, or service that does not infringe any IBM intellectual property right may be used instead. However, it is the user's responsibility to evaluate and verify the operation of any non-IBM product, program, or service.

IBM may have patents or pending patent applications covering subject matter described in this document. The furnishing of this document does not give you any license to these patents. You can send license inquiries, in writing, to:

*IBM Director of Licensing IBM Corporation
North Castle Drive, MD-NC119
Armonk, NY 10504-1785 US*

For license inquiries regarding double-byte (DBCS) information, contact the IBM Intellectual Property Department in your country or send inquiries, in writing, to:

*Intellectual Property Licensing Legal and Intellectual Property Law IBM Japan Ltd.
19-21, Nihonbashi-Hakozakicho, Chuo-ku
Tokyo 103-8510, Japan*

INTERNATIONAL BUSINESS MACHINES CORPORATION PROVIDES THIS PUBLICATION "AS IS" WITHOUT WARRANTY OF ANY KIND, EITHER EXPRESS OR IMPLIED, INCLUDING, BUT NOT LIMITED TO, THE IMPLIED WARRANTIES OF NON-INFRINGEMENT, MERCHANTABILITY OR FITNESS FOR A PARTICULAR PURPOSE. Some jurisdictions do not allow disclaimer of express or implied warranties in certain transactions, therefore, this statement may not apply to you.

This information could include technical inaccuracies or typographical errors. Changes are periodically made to the information herein; these changes will be incorporated in new editions of the publication. IBM may make improvements and/or changes in the product(s) and/or the program(s) described in this publication at any time without notice.

Any references in this information to non-IBM websites are provided for convenience only and do not in any manner serve as an endorsement of those websites. The materials at those websites are not part of the materials for this IBM product and use of those websites is at your own risk.

IBM may use or distribute any of the information you supply in any way it believes appropriate without incurring any obligation to you.

Licensees of this program who wish to have information about it for the purpose of enabling: (i) the exchange of information between independently created programs and other programs (including this one) and (ii) the mutual use of the information which has been exchanged, should contact:

*IBM Director of Licensing IBM Corporation
North Castle Drive, MD-NC119
Armonk, NY 10504-1785 US*

Such information may be available, subject to appropriate terms and conditions, including in some cases, payment of a fee.

The licensed program described in this document and all licensed material available for it are provided by IBM under terms of the IBM Customer Agreement, IBM International Program License Agreement or any equivalent agreement between us.

This information contains examples of data and reports used in daily business operations. To illustrate them as completely as possible, the examples include the names of individuals, companies, brands, and products. All of these names are fictitious and any similarity to actual people or business enterprises is entirely coincidental.

COPYRIGHT LICENSE:

This information contains sample application programs in source language, which illustrate programming techniques on various operating platforms. You may copy, modify, and distribute these sample programs in any form without payment to IBM, for the purposes of developing, using, marketing or distributing application programs conforming to the application programming interface for the operating platform for which the sample programs are written. These examples have not been thoroughly tested under all conditions. IBM, therefore, cannot guarantee or imply reliability, serviceability, or function of these programs. The sample programs are provided "AS IS", without warranty of any kind. IBM shall not be liable for any damages arising out of your use of the sample programs.

Each copy or any portion of these sample programs or any derivative work must include a copyright notice as shown below:

© (your company name) (year).

Portions of this code are derived from IBM Corp. Sample Programs.

© Copyright IBM Corp. (enter the year or years).

If you are viewing this information softcopy, the photographs and color illustrations may not appear.

Programming interface information

This information is intended to help you write applications that use ODBC to access Db2 12 for z/OS servers. This information primarily documents General-use Programming Interface and Associated Guidance Information provided by Db2 12 for z/OS.

General-use Programming Interface and Associated Guidance Information

General-use Programming Interfaces allow the customer to write programs that obtain the services of Db2 12 for z/OS.

Trademarks

IBM, the IBM logo, and [ibm.com](http://www.ibm.com)[®] are trademarks or registered marks of International Business Machines Corp., registered in many jurisdictions worldwide. Other product and service names might be trademarks of IBM or other companies. A current list of IBM trademarks is available on the web at "Copyright and trademark information" at: <http://www.ibm.com/legal/copytrade.shtml>.

Linux is a registered trademark of Linus Torvalds in the United States, other countries, or both.

Microsoft, Windows, Windows NT, and the Windows logo are trademarks of Microsoft Corporation in the United States, other countries, or both.

UNIX is a registered trademark of The Open Group in the United States and other countries.

Java[™] and all Java-based trademarks and logos are trademarks or registered trademarks of Oracle and/or its affiliates.

Terms and conditions for product documentation

Permissions for the use of these publications are granted subject to the following terms and conditions:

Applicability: These terms and conditions are in addition to any terms of use for the IBM website.

Personal use: You may reproduce these publications for your personal, noncommercial use provided that all proprietary notices are preserved. You may not distribute, display or make derivative work of these publications, or any portion thereof, without the express consent of IBM.

Commercial use: You may reproduce, distribute and display these publications solely within your enterprise provided that all proprietary notices are preserved. You may not make derivative works of these publications, or reproduce, distribute or display these publications or any portion thereof outside your enterprise, without the express consent of IBM.

Rights: Except as expressly granted in this permission, no other permissions, licenses or rights are granted, either express or implied, to the publications or any information, data, software or other intellectual property contained therein.

IBM reserves the right to withdraw the permissions granted herein whenever, in its discretion, the use of the publications is detrimental to its interest or, as determined by IBM, the above instructions are not being properly followed.

You may not download, export or re-export this information except in full compliance with all applicable laws and regulations, including all United States export laws and regulations.

IBM MAKES NO GUARANTEE ABOUT THE CONTENT OF THESE PUBLICATIONS. THE PUBLICATIONS ARE PROVIDED "AS-IS" AND WITHOUT WARRANTY OF ANY KIND, EITHER EXPRESSED OR IMPLIED, INCLUDING BUT NOT LIMITED TO IMPLIED WARRANTIES OF MERCHANTABILITY, NON-INFRINGEMENT, AND FITNESS FOR A PARTICULAR PURPOSE.

Privacy policy considerations

IBM Software products, including software as a service solutions, (“Software Offerings”) may use cookies or other technologies to collect product usage information, to help improve the end user experience, to tailor interactions with the end user, or for other purposes. In many cases no personally identifiable information is collected by the Software Offerings. Some of our Software Offerings can help enable you to collect personally identifiable information. If this Software Offering uses cookies to collect personally identifiable information, specific information about this offering’s use of cookies is set forth below.

This Software Offering does not use cookies or other technologies to collect personally identifiable information.

If the configurations deployed for this Software Offering provide you as customer the ability to collect personally identifiable information from end users via cookies and other technologies, you should seek your own legal advice about any laws applicable to such data collection, including any requirements for notice and consent.

For more information about the use of various technologies, including cookies, for these purposes, see IBM’s Privacy Policy at <http://www.ibm.com/privacy> and IBM’s Online Privacy Statement at <http://www.ibm.com/privacy/details> the section entitled “Cookies, Web Beacons and Other Technologies” and the “IBM Software Products and Software-as-a-Service Privacy Statement” at <http://www.ibm.com/software/info/product-privacy>.

Glossary

The glossary is available in IBM Documentation

For definitions of Db2 for z/OS terms, see [Db2 glossary \(Db2 Glossary\)](#).

Index

Special Characters

_ [430](#)
% [430](#)

Numerics

64-bit applications
 compiling [51](#)
 link-editing [55](#)
64-bit ODBC applications
 example [83](#)
 migrating to [82](#)
64-bit ODBC driver [41](#)

A

abends [530](#)
abnormal termination [530](#)
accessibility
 keyboard [xi](#)
 shortcut keys [xi](#)
add rows
 SQLBulkOperations() [127](#)
allocate handles
 initialization and termination [10](#)
 SQLAllocHandle() [93](#)
 transaction processing [14](#)
application
 bind variables [489](#)
 compile [49](#)
 compiling XPLINK [50](#)
 DLL [48](#)
 encoding schemes [488](#), [494](#)
 execute [56](#)
 execution steps [49](#)
 link-edit [53](#)
 multithreaded [479](#), [481](#)
 prelink [53](#)
 preparation [46](#)
 requirements [48](#)
 sample, DSNTJ38 [49](#)
 tasks [9](#)
 trace [517](#)
 trace, obtaining [527](#), [528](#)
application trace [517](#)
application trace, obtaining [528](#)
application variables, binding [17](#)
array input [433](#)
array output [437](#)
arrays
 sending and retrieving data [514](#)
ASCII [488](#)
ASCII scalar function [537](#)
ATRBEG service [427](#)
ATREND service [427](#)
ATRSENV service [427](#)

attributes
 connection [419](#), [421](#)
 environment [419](#)
 querying and setting [419](#)
 retrieving
 SQLColAttribute() [135](#)
 SQLDescribeCol() [163](#)
 SQLGetConnectAttr() [226](#)
 SQLGetEnvAttr() [248](#)
 SQLGetStmtAttr() [293](#)
 setting
 SQLSetColAttributes() [352](#)
 SQLSetConnectAttr() [356](#)
 SQLSetEnvAttr() [374](#)
 SQLSetStmtAttr() [386](#)
 statement [419](#), [421](#)
 unit of work semantics [424](#)
authentication [155](#)
autocommit mode [21](#)

B

batch processing [321](#)
BIGINT
 conversion to C [562](#)
 length [557](#)
 precision [554](#)
 scale [555](#)
binary
 conversion to C [563](#)
BINARY
 length [557](#)
 precision [554](#)
 scale [555](#)
binary data conversion [563](#)
bind functions
 SQLBindCol() [98](#)
 SQLBindFileToCol() [105](#)
 SQLBindFileToParam() [109](#)
 SQLBindParameter() [112](#)
binding
 application variables
 columns [18](#)
 parameter markers [17](#)
 DBRMs [42](#)
 decimal floating point data [462](#)
 options for ODBC applications [43](#)
 plan [44](#)
 return codes [44](#)
 sample, DSNTIJCL [41](#), [44](#)
 stored procedures [42](#)
 variable-length timestamp data [464](#)
bulk inserts
 SQLBulkOperations() [455](#), [461](#)

C

- caching
 - dynamic SQL statement [512](#)
- call level interface [2](#)
- cancel function
 - SQLCancel() [131](#)
- case sensitivity [36](#)
- catalog
 - functions
 - example [430](#)
 - input argument [429](#)
 - limiting use of [512](#)
 - overview [428](#)
 - SQLColumnPrivileges() [144](#)
 - SQLColumns() [148](#)
 - SQLPrimaryKeys() [329](#)
 - SQLProcedureColumns() [333](#)
 - SQLProcedures() [342](#)
 - SQLSpecialColumns() [398](#)
 - SQLStatistics() [404](#)
 - SQLTablePrivileges() [409](#)
 - SQLTables() [413](#)
 - querying [428](#)
- CHAR
 - conversion to C [560](#)
 - display size [557](#)
 - length [557](#)
 - precision [554](#)
 - scale [555](#)
- character strings [35](#), [36](#)
- CLISHEMA keyword
 - using [431](#)
- close cursor [223](#)
- collecting diagnostics data
 - IBM_DB Python driver [607](#)
- column attributes
 - retrieving [135](#)
 - setting [352](#)
- column functions
 - SQLColAttribute() [135](#)
 - SQLColumnPrivileges() [144](#)
 - SQLColumns() [148](#)
 - SQLDescribeCol() [163](#)
 - SQLForeignKeys() [212](#)
 - SQLNumResultCols() [316](#)
 - SQLPrimaryKeys() [329](#)
 - SQLSetColAttributes() [352](#)
 - SQLSpecialColumns() [398](#)
- column-wise binding [437](#), [438](#)
- commit [21](#), [178](#)
- common server [2](#)
- compile, application [49](#)
- compile, non-XPLINK applications [50](#)
- compiling
 - 64-bit applications [51](#)
- CONCAT scalar function [537](#)
- configuring
 - application [46](#)
- configuring Db2 ODBC [39](#)
- connect functions
 - SQLConnect() [155](#)
 - SQLDriverConnect() [173](#)
- connecting to a data source

- connecting to a data source (*continued*)
 - multiple data sources [12](#)
- connection string [419](#)
- connections
 - active [369](#)
 - attributes
 - changing [419](#)
 - setting and retrieving [421](#)
 - SQLGetConnectAttr() [226](#)
 - SQLSetConnectAttr() [356](#)
 - handles
 - allocating [10](#)
 - description [4](#)
 - freeing [10](#)
 - SQLAllocHandle() [93](#)
 - SQLFreeHandle() [221](#)
 - type [12](#)
- connectivity
 - ODBC model [11](#)
 - requirements [40](#)
- contexts
 - multiple [481](#)
 - private external [486](#)
- coordinated distributed transactions [422](#)
- coordinated transactions, establishing [422](#)
- core level functions [1](#)
- CURDATE scalar function [538](#)
- CURRENTDATA, bind option for ODBC applications [43](#)
- CURRENTSERVER, plan bind option [44](#)
- cursors
 - definition [20](#)
 - functions
 - SQLCloseCursor() [133](#)
 - SQLFreeStmt() [223](#)
 - SQLGetCursorName() [229](#)
 - SQLSetCursorName() [371](#)
 - hold behavior [511](#)
 - use in Db2 ODBC [4](#)
- CURTIME scalar function [538](#)

D

- data conversion
 - C data types [26](#)
 - C to SQL data types [570](#)
 - data types [25](#)
 - default data types [26](#)
 - description [32](#)
 - display size of SQL data types [557](#)
 - length of SQL data types [557](#)
 - overview [554](#)
 - precision of SQL data types [554](#)
 - scale of SQL data types [555](#)
 - SQL data types [26](#)
 - SQL to C data types [559](#)
 - supported data types [32](#)
- data conversion, examples [569](#), [579](#)
- data retrieval, guidelines [511](#)
- data source information, querying [36](#)
- data sources
 - general information [255](#)
 - get functions
 - SQLGetInfo() [255](#)
 - SQLDataSources() [160](#)

- data sources (*continued*)
 - supported data types [301](#)
- data structure, SQLCA [289](#)
- data types
 - C [26](#), [31](#)
 - generic [31](#)
 - ODBC [31](#)
 - SQL [26](#)
 - SQLGetTypeInfo() [301](#)
- data-at-execute [459](#)
- DATABASE scalar function [538](#)
- DATE
 - conversion to C [564](#)
 - display size [557](#)
 - length [557](#)
 - precision [554](#)
 - scale [555](#)
- date and time function [538](#)
- DATE_STRUCT [26](#)
- datetime data types, changes [585](#)
- DAYOFMONTH scalar function [538](#)
- Db2 ODBC
 - advanced features [419](#)
 - advantages of using [7](#)
 - application requirements [46](#)
 - common problems [509](#)
 - components [46](#)
 - diagnostic trace [520](#)
 - functions [85](#)
 - initialization file [58](#)
 - installing [39](#)
 - limited block fetch [443](#)
 - restrictions on ODBC [11](#)
 - shadow catalog [431](#)
 - stored procedures [475](#)
 - traces, debugging [517](#)
- DB2 ODBC
 - configuring [39](#)
 - encapsulation [7](#)
 - improving performance [510](#)
 - performance [7](#)
 - security [7](#)
- DBRMs, binding [41](#)
- deadlocks
 - application
 - deadlocks [487](#)
- debugging [530](#)
- DECIMAL
 - conversion to C [562](#)
 - length [557](#)
 - precision [554](#)
 - scale [555](#)
- deferred arguments [17](#)
- DELETE [20](#)
- delete from rowset
 - SQLSetPos() [459](#)
- deprecated functions
 - list of [580](#)
 - SQLAllocConnect() [92](#)
 - SQLAllocEnv() [93](#)
 - SQLAllocStmt() [98](#)
 - SQLColAttributes() [143](#)
 - SQLFreeConnect() [219](#)
 - SQLFreeEnv() [220](#)
- deprecated functions (*continued*)
 - SQLGetConnectOption() [229](#)
 - SQLGetStmtOption() [297](#)
 - SQLSetConnectOption() [370](#)
 - SQLSetParam() [379](#)
 - SQLSetStmtOption() [398](#)
 - SQLTransact() [418](#)
- diagnosis
 - description [23](#)
 - function, SQLGetDiagRec() [245](#)
 - trace [520](#)
- diagnostic trace
 - activating in z/OS [520](#)
 - activating in z/OS UNIX [521](#)
- diagnostic trace command [524](#)
- diagnostic trace file [526](#)
- diagnostic trace, obtaining [529](#)
- disability xi
- DISCONNECT, plan bind option [44](#)
- disconnecting [171](#)
- display size of SQL data types [557](#)
- display size, data type attributes [554](#)
- distinct types
 - defining [473](#)
- distributed transactions [422](#)
- distributed unit of work [422](#)
- DOUBLE
 - conversion to C [562](#)
 - display size [557](#)
 - length [557](#)
 - precision [554](#)
 - scale [555](#)
- driver
 - DB2 ODBC [533](#)
 - ODBC [533](#)
 - ODBC 3.0 behavior [582](#)
- driver manager [533](#)
- DSN803VP, JCL sample [49](#), [586](#)
- DSN80IVP, JCL sample [49](#)
- DSNAO64T [524](#)
- DSNAOINI data definition [58](#)
- DSNAOTRC [524](#)
- DSNAOTRX [524](#)
- DSNTEJ8, application sample [49](#)
- DSNTIJCL, bind sample [41](#), [44](#)
- dynamic SQL
 - statement caching [512](#)
- dynamic statement cache [512](#)
- DYNAMICRULES, bind option for ODBC applications [43](#)

E

- EBCDIC [488](#)
- embedded SQL
 - comparison to Db2 ODBC [4](#)
 - mixing with Db2 ODBC [369](#), [502](#)
- encoding schemes
 - guidelines [488](#)
- entry points [488](#)
- environment
 - attributes
 - description [419](#), [421](#)
 - SQLSetEnvAttr() [374](#)

- environment (*continued*)
 - handle
 - SQLAllocHandle() [93](#)
 - SQLFreeHandle() [221](#)
 - handles
 - allocating [10](#)
 - description [4](#)
 - freeing [10](#)
 - information, querying [36](#)
 - run time [39](#)
 - z/OS UNIX
 - export statements [58](#)
 - setup [45](#)
 - variables [58](#)
- error code, internal [531](#)
- errors, extended scalar functions [537](#)
- errors, retrieving information about [181](#)
- escape character [507](#)
- escape clause syntax [504](#)
- escape clauses, vendor
 - SQLNativeSql() [312](#)
- example
 - scrollable cursor [449](#)
- examples
 - application trace output [518](#)
 - array INSERT [433](#)
 - binding decimal floating point data [462](#)
 - binding UTF-8 data [495](#)
 - binding variable-length timestamp data [464](#)
 - catalog functions [430](#)
 - column-wise binding [442](#)
 - converting C to SQL data [579](#)
 - converting SQL to C data [569](#)
 - distinct types [473](#)
 - large objects [468](#)
 - mixing embedded SQL and Db2 ODBC [502](#)
 - retrieve UCS-2 data [494](#)
 - retrieving UTF-8 data [495](#)
 - row-wise binding [442](#)
 - single Language Environment thread [483](#)
 - using suffix-W APIs [496](#)
 - XML column updates [470](#)
- execute, application [49](#), [56](#)
- executing a statement [16](#)
- executing directly [16](#)
- executing SQL
 - SQLExecDirect() [183](#)
 - SQLExecute() [189](#)
 - SQLPrepare() [323](#)
- export statements [58](#)
- extended fetch [191](#)
- extended indicators [509](#)
- extended SQL syntax [505](#)
- Extra Performance Linkage [41](#)

F

- fetching
 - scrollable cursor [447](#)
 - SQLExtendedFetch() [191](#)
 - SQLFetch() [198](#)
 - SQLFetchScroll() [204](#)
 - SQLSetPos() [380](#)

FLOAT

- FLOAT (*continued*)
 - conversion to C [562](#)
 - display size [557](#)
 - length [557](#)
 - precision [554](#)
 - scale [555](#)
- foreign key columns, list [212](#)
- freeing handles [221](#)
- function, date and time [538](#)
- functions overview [86](#)
- functions, complete list [86](#)
- functions, DB2 ODBC [85](#)
- functions, string [537](#)
- functions, support for ODBC [534](#)
- functions, system [538](#)

G

- general-use programming information, described [614](#)
- generic API [488](#), [489](#)
- get functions
 - SQLGetConnectAttr() [226](#)
 - SQLGetCursorName() [229](#)
 - SQLGetData() [234](#)
 - SQLGetDiagRec() [245](#)
 - SQLGetEnvAttr() [248](#)
 - SQLGetFunctions() [250](#)
 - SQLGetPosition() [284](#)
 - SQLGetSQLCA() [289](#)
 - SQLGetStmtAttr() [293](#)
 - SQLGetSubString() [297](#)
 - SQLGetTypeInfo() [301](#)
- global transactions [427](#)
- GRAPHIC
 - conversion to C [561](#)

H

- handles
 - connection [4](#), [10](#)
 - environment [4](#), [10](#)
 - SQLAllocHandle() [93](#)
 - SQLFreeHandle() [221](#)
 - statement [4](#)
- handles, function arguments [31](#)
- HOURLY scalar function [538](#)

I

- IBM_DB Python driver
 - collecting diagnostics data [607](#)
 - troubleshooting [607](#)
- IFNULL scalar function [538](#)
- improving performance [510](#)
- index information, retrieving [404](#)
- initialization
 - file
 - common errors [59](#), [509](#)
 - defaults, changing [419](#)
 - description [58](#)
 - specifying [58](#)
 - structure of [59](#)
 - tasks [9](#), [10](#)

- initialization keywords
 - ACCOUNTINGINTERVAL [60](#)
 - APPLTRACE [60](#)
 - APPLTRACEFILENAME [60](#)
 - AUTOCOMMIT [60](#)
 - BITDATA [60](#)
 - CLISHEMA [60](#)
 - COLLECTIONID [60](#)
 - CONNECTTYPE [60](#)
 - CURRENTAPPENSCH [60](#)
 - CURRENTSQLID [60](#)
 - CURSORHOLD [60](#)
 - DB2EXPLAIN [60](#)
 - DBNAME [60](#)
 - DIAGTRACE [60](#)
 - DIAGTRACE_BUFFER_SIZE [60](#)
 - DIAGTRACE_NO_WRAP [60](#)
 - EXTENDEDTABLEINFO [60](#)
 - GRANTEELIST [60](#)
 - GRANTORLIST [60](#)
 - GRAPHIC [60](#)
 - KEEPDYNAMIC [60](#)
 - LIMITEDBLOCKFETCH [60](#)
 - MAXCONN [60](#)
 - MULTICONTEXT [60](#)
 - MVSATTACHTYPE [60](#)
 - MVSDEFAULTSSID [60](#)
 - OPTIMIZEFORNROWS [60](#)
 - PATCH2 [60](#)
 - PLANNAME [60](#)
 - QUERYDATASIZE [60](#)
 - REPORTPUBLICPRIVILEGES [60](#)
 - RETCATALOGCURSERVER [60](#)
 - RETURNALIASES [60](#)
 - SCHEMALIST [60](#)
 - STREAMBUFFERSIZE [60](#)
 - SYSCHEMA [60](#)
 - TABLETYPE [60](#)
 - THREADSAFE [60](#)
 - TXNISOLATION [60](#)
 - UNDERSCORE [60](#)
- INSERT [20](#)
- INSERT scalar function [537](#)
- inserts
 - SQLBulkOperations() [127](#)
- inserts, bulk
 - SQLBulkOperations() [455](#), [461](#)
- installation [39](#)
- INTEGER
 - conversion to C [562](#)
 - display size [557](#)
 - length [557](#)
 - precision [554](#)
 - scale [555](#)
- internal error code [531](#)
- introduction to Db2 ODBC [1](#)
- INVALID_HANDLE [23](#)
- isolation levels, concurrency and consistency [510](#)
- isolation levels, ODBC [536](#)

K

keywords, initialization [59](#), [60](#)

L

- Language Environment threads
 - multiple [481](#)
 - multiple contexts [483](#), [484](#)
- large objects
 - example [468](#)
 - file reference variables [469](#)
 - locators
 - finding the position of a string [284](#)
 - retrieving a portion of a string [297](#)
 - retrieving string length [282](#)
 - manipulating large data values [514](#)
- LEFT scalar function [537](#)
- length of SQL data types [557](#)
- LENGTH scalar function [537](#)
- length, data type attributes [554](#)
- LIKE predicate [507](#)
- limited block fetch
 - Db2 ODBC [443](#)
- link-edit, application [53](#)
- link-editing
 - 64-bit applications [55](#)
 - XPLINK applications [54](#)
- links
 - non-IBM Web sites [614](#)
- LOB [466](#)
- LOB locators
 - example [468](#)
 - get functions
 - SQLGetLength() [282](#)
 - SQLGetLength() [282](#)
 - SQLGetPosition() [284](#)
 - SQLGetSubString() [297](#)
 - using [467](#)
 - long bulk inserts
 - SQLBulkOperations() [461](#)
- long data
 - retrieving in pieces [459](#)
 - sending in pieces
 - SQLParamData() [319](#)
 - SQLPutData() [346](#)
- LONGVARIABLE [563](#)
- LONGVARIABLE
 - conversion to C [560](#)
 - DECIMAL
 - display size [557](#)
 - display size [557](#)
 - length [557](#)
 - precision [554](#)
 - scale [555](#)
- LONGVARIABLE [561](#)

M

- manual-commit mode [21](#)
- MERGE [20](#)
- metadata character [429](#)
- migrating ODBC applications
 - to 64-bit [82](#)
- migrating to Db2 [12](#)
 - ODBC driver [81](#)
- MINUTE scalar function [538](#)

mixed applications [369](#)
MONTH scalar function [538](#)
multiple contexts
 multiple Language Environment threads [484](#)
 single Language Environment thread [483](#)
multithreaded applications [479](#), [481](#)

N

name, cursor [371](#)
native error code [24](#)
native SQL [312](#)
network flow, reducing [513](#), [514](#)
NOW scalar function [538](#)
NOXPLINK, compiling [50](#)
nul-terminated strings [35](#)
NUMERIC
 conversion to C [562](#)
 display size [557](#)
 length [557](#)
 precision [554](#)
 scale [555](#)

O

ODBC
 and Db2 ODBC [1](#), [533](#)
 APIs and data types [534](#)
 connectivity [11](#)
 core level functions [1](#)
 date data [505](#)
 error reporting [24](#)
 function list [86](#)
 functions overview [86](#)
 isolation levels [536](#)
 level conformance [2](#)
 SQL extensions [505](#)
 support for ODBC features [2](#)
 time data [505](#)
 timestamp data [505](#)
 vendor escape clauses [505](#)
ODBC 3.0 driver behavior [582](#)
ODBC driver
 64-bit [41](#)
 migrating to Db2 [12](#) [81](#)
outer join syntax [506](#)

P

packages, binding [41](#)
parameter markers
 binding [17](#)
 casting to distinct types [510](#)
 casting to source types [510](#)
 decimal floating point data [462](#)
 introduction [4](#)
 multiple result sets [309](#)
 number in a statement [315](#)
 passing data to [346](#)
 retrieving a description of [168](#)
 sending data in pieces [319](#)
 specifying an input array [321](#)
 using arrays [433](#)

parameter markers (*continued*)
 variable-length timestamp data [464](#)
parameters, stored procedure [333](#)
passwords [155](#)
pattern value [429](#)
plan, binding [44](#)
pointers, function arguments [31](#)
portability
 techniques for maximizing [514](#)
precision of SQL data types [554](#)
precision, data type attributes [554](#)
prelink, application [53](#)
prepare SQL statements [323](#)
preparing a statement [16](#)
primary key
 SQLPrimaryKeys() [329](#)
 SQLSpecialColumns() [398](#)
private external contexts [486](#)
privileges
 SQLColumnPrivileges() [144](#)
 SQLTablePrivileges() [409](#)
programming interface information, described [614](#)

Q

query statements, processing [18](#)
querying
 catalog information [428](#)
 data source information [36](#)
 Db2 catalog [428](#)
 environment information [36](#)
 shadow catalog [431](#)

R

REAL
 conversion to C [562](#)
 display size [557](#)
 length [557](#)
 precision [554](#)
 scale [555](#)
reducing network flow [513](#), [514](#)
remote site, creating packages at [42](#)
REOPT, bind option for ODBC applications [43](#)
REPEAT scalar function [537](#)
result sets
 function generated [515](#)
 retrieving into array [437](#)
 returning from stored procedures [477](#)
 SQLExtendedFetch() [191](#)
 SQLFetch() [198](#)
 SQLFetchScroll() [204](#)
 SQLGetData() [234](#)
 SQLMoreResults() [309](#)
 SQLNumResultCols() [316](#)
 SQLSetPos() [380](#)
retrieving data
 scrollable cursor [447](#)
retrieving data, guidelines [511](#)
retrieving multiple rows [437](#)
return codes [23](#)
RIGHT scalar function [537](#)
rollback [21](#), [178](#)

- row identifiers [398](#)
- row set [192](#)
- row status array
 - ODBC [440](#)
- row-wise binding [438](#), [439](#)
- ROWID
 - conversion to C [568](#)
 - display size [557](#)
 - length [557](#)
 - precision [554](#)
 - scale [555](#)
- rows, number changed [349](#)
- rowset
 - row status array [440](#)
- rowset, ODBC
 - description [445](#)
 - retrieval [445](#)
- run time environment
 - setting up [41](#)
 - support [39](#)

S

- samples
 - APD29 [589](#)
 - DSN803VP [49](#), [586](#)
 - DSN80IVP [49](#)
 - DSNTEJ8 [49](#)
 - DSNTIJCL [41](#), [44](#)
 - examples
 - stored procedure [586](#)
- scalar functions [508](#)
- scale of SQL data types [555](#)
- scale, data type attributes [554](#)
- scrollable cursor
 - example [449](#)
 - ODBC [444](#), [447](#)
- scrollable cursor, advantages [444](#)
- search argument [429](#)
- SECOND scalar function [538](#)
- SELECT [18](#)
- service trace [517](#)
- set functions
 - SQLSetColAttributes() [352](#)
 - SQLSetConnectAttr() [356](#)
 - SQLSetConnection() [369](#)
 - SQLSetCursorName() [371](#)
 - SQLSetEnvAttr() [374](#)
 - SQLSetStmtAttr() [386](#)
- shadow catalog
 - querying [431](#)
- shortcut keys
 - keyboard [xi](#)
- SMALLINT
 - conversion to C [562](#)
 - display size [557](#)
 - length [557](#)
 - precision [554](#)
 - scale [555](#)
- SMP/E jobs [39](#)
- SQL
 - data type attributes [554](#)
 - dynamically prepared [4](#)
 - parameter markers [17](#)

- SQL (*continued*)
 - preparing and executing statements [16](#)
 - query statements [18](#)
 - SELECT [18](#)
 - VALUES [18](#)
- SQL Access Group [1](#)
- SQL_ATTR_ACCESS_MODE [356](#)
- SQL_ATTR_AUTOCOMMIT [356](#), [514](#)
- SQL_ATTR_BIND_TYPE [386](#)
- SQL_ATTR_CLOSE_BEHAVIOR [386](#)
- SQL_ATTR_CONCURRENCY [386](#)
- SQL_ATTR_CONNECTTYPE
 - distributed unit of work [422](#)
 - SQLGetEnvAttr() [374](#)
 - SQLSetConnectAttr() [356](#)
- SQL_ATTR_CURRENT_SCHEMA [356](#)
- SQL_ATTR_CURSOR_HOLD [386](#), [511](#)
- SQL_ATTR_CURSOR_TYPE [386](#)
- SQL_ATTR_DB2EXPLAIN [356](#)
- SQL_ATTR_KEEP_DYNAMIC [356](#)
- SQL_ATTR_MAX_LENGTH [386](#)
- SQL_ATTR_MAX_ROWS [386](#), [509](#)
- SQL_ATTR_MAXCONN [356](#), [374](#)
- SQL_ATTR_NODESCRIBE [386](#)
- SQL_ATTR_NOSCAN [386](#), [513](#)
- SQL_ATTR_ODBC_VERSION [374](#)
- SQL_ATTR_OUTPUT_NTS [374](#)
- SQL_ATTR_PARAMOPT_ATOMIC [356](#)
- SQL_ATTR_RETRIEVE_DATA [386](#)
- SQL_ATTR_ROW_ARRAY_SIZE [386](#), [438](#)
- SQL_ATTR_ROWSET_SIZE [386](#), [438](#)
- SQL_ATTR_STMTTXN_ISOLATION [386](#)
- SQL_ATTR_SYNC_POINT [356](#)
- SQL_ATTR_TXN_ISOLATION
 - setting isolation levels [510](#)
 - SQLSetConnectAttr() [356](#)
 - SQLSetStmtAttr() [386](#)
- SQL_BIGINT [26](#)
- SQL_BINARY [26](#)
- SQL_BLOB [26](#)
- SQL_BLOB_LOCATOR [26](#)
- SQL_C_BIGINT [26](#), [572](#)
- SQL_C_BINARY [26](#), [573](#)
- SQL_C_BINARYXML [573](#)
- SQL_C_BIT [26](#), [572](#)
- SQL_C_BLOB_LOCATOR [26](#)
- SQL_C_CHAR [26](#), [571](#)
- SQL_C_CLOB_LOCATOR [26](#)
- SQL_C_DBCHAR [26](#), [574](#)
- SQL_C_DBCLOB_LOCATOR [26](#)
- SQL_C_DEFAULT [26](#)
- SQL_C_DOUBLE [26](#), [572](#)
- SQL_C_FLOAT [26](#), [572](#)
- SQL_C_LONG [26](#), [572](#)
- SQL_C_SHORT [26](#), [572](#)
- SQL_C_TINYINT [26](#), [572](#)
- SQL_C_TYPE_DATE [26](#), [574](#)
- SQL_C_TYPE_TIME [26](#), [575](#)
- SQL_C_TYPE_TIMESTAMP [26](#), [576](#)
- SQL_C_TYPE_TIMESTAMP_EXT [577](#)
- SQL_C_TYPE_TIMESTAMP_EXT_TZ [26](#), [578](#)
- SQL_C_TYPE_TIMESTAMP_STRUCT_EXT [26](#)
- SQL_C_WCHAR [26](#)
- SQL_CCSID_CHAR [386](#)

[SQL_CCSID_GRAPHIC 386](#)
[SQL_CHAR 26](#)
[SQL_CLOB 26](#)
[SQL_CLOB_LOCATOR 26](#)
[SQL_CONCURRENT_TRANS 422](#)
[SQL_COORDINATED_TRANS 422](#)
[SQL_DATA_AT_EXEC 459](#)
[SQL_DBCLOB 26](#)
[SQL_DBCLOB_LOCATOR 26](#)
[SQL_DECFLOAT 26](#)
[SQL_DECIMAL 26](#)
[SQL_DOUBLE 26](#)
[SQL_ERROR 23](#)
[SQL_FLOAT 26](#)
[SQL_GRAPHIC 26](#)
[SQL_INTEGER 26](#)
[SQL_LONGVARIABLE 26](#)
[SQL_LONGVARCHAR 26](#)
[SQL_LONGVARGRAPHIC 26](#)
[SQL_NEED_DATA 23](#)
[SQL_NO_DATA_FOUND 23](#)
[SQL_NTS 35](#)
[SQL_NUMERIC 26](#)
[SQL_REAL 26](#)
[SQL_ROWID 26](#)
[SQL_SMALLINT 26](#)
[SQL_SUCCESS 23](#)
[SQL_SUCCESS_WITH_INFO 23](#)
[SQL_TYPE_DATE 26](#)
[SQL_TYPE_TIME 26](#)
[SQL_TYPE_TIMESTAMP 26](#)
[SQL_TYPE_TIMESTAMP_WITH_TIMEZONE 26](#)
[SQL_VARBINARY 26](#)
[SQL_VARCHAR 26](#)
[SQL_VARGRAPHIC 26](#)
[SQL_XML 26](#)
[SQL, native 312](#)
[SQLAllocConnect\(\), deprecated function 92](#)
[SQLAllocEnv\(\), deprecated function 93](#)
[SQLAllocHandle\(\)](#)
 description [93](#)
 introduction [14](#)
[SQLAllocStmt\(\), deprecated function 98](#)
[SQLBindCol\(\)](#)
 description [98](#)
 introduction [14](#)
 processing query statements [18](#)
[SQLBindFileToCol\(\)](#)
 description [105](#)
[SQLBindFileToParam\(\)](#)
 description [109](#)
[SQLBindParameter\(\)](#)
 data conversion example [32](#)
 description [112](#)
 introduction [14](#)
 processing query statements [18](#)
 using [16](#), [17](#)
[SQLBulkOperations\(\)](#)
 bulk inserts [455](#)
 description [127](#)
 long data for bulk inserts [461](#)
[SQLCA data structure 289](#)
[SQLCancel\(\)](#)
 description [131](#)
[SQLCancel\(\) \(continued\)](#)
 use in data-at-execute [459](#)
[SQLCHAR 26](#)
[SQLCloseCursor\(\) 133](#)
[SQLColAttribute\(\)](#)
 description [135](#)
 introduction [14](#)
 processing query statements [18](#)
[SQLColAttributes\(\), deprecated function 143](#)
[SQLColumnPrivileges\(\) 144](#)
[SQLColumns\(\) 148](#)
[SQLConnect\(\) 155](#)
[SQLDataSources\(\)](#)
 description [160](#)
 introduction [14](#)
[SQLDBCHAR 26](#)
[SQLDescribeCol\(\)](#)
 description [163](#)
 introduction [14](#)
 processing query statements [18](#)
[SQLDescribeParam\(\)](#)
 using [17](#)
[SQLDisconnect\(\) 171](#)
[SQLDOUBLE 26](#)
[SQLDriverConnect\(\)](#)
 connection string [419](#)
 description [173](#)
 instead of SQLConnect() [515](#)
[SQLEndTran\(\)](#)
 description [178](#)
 effects of calling [22](#)
 introduction [14](#)
 processing query statements [18](#)
 using [21](#)
 when to call [22](#)
[SQLERROR, bind option for ODBC applications 43](#)
[SQLError\(\) 181](#)
[SQLExecDirect\(\)](#)
 description [183](#)
 introduction [14](#)
 using [16](#)
[SQLExecute\(\)](#)
 description [189](#)
 introduction [14](#)
 SQLPrepare()
 using [16](#)
 using [16](#)
[SQLExtendedFetch\(\) 191](#)
[SQLFetch\(\)](#)
 description [198](#)
 introduction [14](#)
 processing query statements [18](#)
[SQLFetchScroll\(\)](#)
 description [204](#)
[SQLForeignKeys\(\) 212](#)
[SQLFreeConnect\(\), deprecated function 219](#)
[SQLFreeEnv\(\), deprecated function 220](#)
[SQLFreeHandle\(\)](#)
 description [221](#)
 freeing statement handles [23](#)
 introduction [14](#)
[SQLFreeStmt\(\) 223](#)
[SQLGetConnectAttr\(\) 226](#)
[SQLGetConnectOption\(\), deprecated function 229](#)

- SQLGetCursorName()
 - retrieving name of cursor [20](#)
- SQLGetData()
 - description [234](#)
 - introduction [14](#)
 - processing query statements [18](#)
- SQLGetDiagRec() [245](#)
- SQLGetEnvAttr() [248](#)
- SQLGetFunctions() [250](#)
- SQLGetInfo()
 - changes to InfoType values [581](#)
- SQLGetLength() [282](#)
- SQLGetPosition() [284](#)
- SQLGetSQLCA()
 - retrieving SQLCA [25](#)
- SQLGetStmtAttr() [293](#)
- SQLGetStmtOption() [297](#)
- SQLGetSubString() [297](#)
- SQLGetTypeInfo() [301](#)
- SQLHDBC [31, 32](#)
- SQLHENV [31, 32](#)
- SQLHSTMT [31, 32](#)
- SQLINTEGER [26](#)
- SQLMoreResults()
 - description [309](#)
 - using [433](#)
- SQLNativeSql() [312](#)
- SQLNumParams()
 - using [17](#)
- SQLNumResultCols()
 - description [316](#)
 - introduction [14](#)
 - processing query statements [18](#)
- SQLParamData()
 - description [319](#)
 - use in data-at-execute [459](#)
- SQLParamOptions() [321](#)
- SQLPOINTER [31, 32](#)
- SQLPrepare()
 - description [323](#)
 - introduction [14](#)
- SQLPrimaryKeys() [329](#)
- SQLProcedureColumns() [333](#)
- SQLProcedures() [342](#)
- SQLPutData()
 - description [346](#)
 - use in data-at-execute [459](#)
- SQLREAL [26](#)
- SQLRETURN [31, 32](#)
- SQLRowCount()
 - description [349](#)
 - introduction [14](#)
- SQLSCHAR [26](#)
- SQLSetColAttributes()
 - reducing network flow [514](#)
- SQLSetConnectAttr()
 - changes to attributes [581](#)
- SQLSetConnection() [369](#)
- SQLSetConnectOption(), deprecated function [370](#)
- SQLSetCursorName()
 - string arguments [36](#)
- SQLSetEnvAttr()
 - changes to attributes [582](#)
- SQLSetParam(), deprecated function [379](#)
- SQLSetPos()
 - delete from rowset [459](#)
 - description [380](#)
 - update rowset [457](#)
- SQLSetStmtAttr()
 - changes to attributes [582](#)
- SQLSetStmtOption(), deprecated function [398](#)
- SQLSMALLINT [26](#)
- SQLSpecialColumns() [398](#)
- SQLSTATE
 - description [24](#)
 - format of [24](#)
 - function cross reference [539](#)
 - in Db2 ODBC 4
 - mappings [583](#)
- SQLStatistics() [404](#)
- SQLTablePrivileges() [409](#)
- SQLTables() [413](#)
- SQLTransact(), deprecated function [418](#)
- SQLUINTEGER [31, 32](#)
- SQLUSMALLINT [31, 32](#)
- SQLWCHAR [26, 31, 32](#)
- SRRBACK service [427](#)
- SRRCMIT service [427](#)
- statement
 - attributes
 - description [421](#)
 - statements
 - attributes
 - description [419](#)
 - setting [386](#)
 - SQLGetStmtAttr() [293](#)
 - handles
 - allocating [15](#)
 - freeing [23](#)
 - introduction [4](#)
 - maximum number of [15](#)
 - SQLAllocHandle() [93](#)
 - SQLFreeHandle() [221](#)
 - SQLFreeStmt() [223](#)
 - preparing [323](#)
 - statistics, retrieving [404](#)
 - stored procedures
 - advantages [475](#)
 - binding [42](#)
 - calls in Db2 ODBC [475](#)
 - diagnostic trace, obtaining [528](#)
 - example [586](#)
 - functions
 - SQLProcedureColumns() [333](#)
 - SQLProcedures() [342](#)
 - obtaining an application trace [527](#)
 - ODBC escape clause [507](#)
 - receive result sets [478](#)
 - restrictions [478](#)
 - return result sets [477](#)
 - returning result sets [309, 477](#)
 - tracing [526](#)
 - using with Db2 ODBC [475](#)
 - writing in Db2 ODBC [476](#)
- string
 - arguments [35, 36](#)
 - nul-termination [35](#)
 - truncation [36](#)

string function [537](#)
SUBSTRING scalar function [537](#)
subsystem, defining [57](#)
Suffix-W APIs [490](#)
syntax diagram
 how to read [xii](#)
system, functions [538](#)

T

table information, retrieving [413](#)
tables, list of privileges [409](#)
termination tasks [9](#), [10](#)
threads [479](#), [481](#)
TIME
 conversion to C [564](#)
 display size [557](#)
 length [557](#)
 precision [554](#)
 scale [555](#)
TIME_STRUCT [26](#)
timeouts [487](#)
TIMESTAMP
 conversion to C [565](#)
 display size [557](#)
 length [557](#)
 precision [554](#)
 scale [555](#)
TIMESTAMP WITH TIMEZONE
 display size [557](#)
 length [557](#)
 scale [555](#)
TIMESTAMP_STRUCT [26](#)
TIMESTAMP_STRUCT_EXT [26](#)
TIMESTAMP_WITH_TIMEZONE
 conversion to C [567](#)
trace
 a client application [527](#)
 application [517](#)
 Db2 ODBC diagnosis [520](#)
 stored procedure [526](#)
trace file name, formats [517](#)
trace types [517](#)
tracing a client application [527](#)
transaction
 isolation levels, ODBC [536](#)
 management [21](#)
 processing [9](#)
transactions, ending [178](#)
truncation [36](#)

U

Unicode [488](#)
unique indexes [398](#)
unit of work, semantics [424](#)
UPDATE [20](#)
update rowset
 SQLSetPos() [457](#)
user IDs [155](#)
USER scalar function [538](#)

V

VALUES [18](#)
VARBINARY
 length [557](#)
 precision [554](#)
 scale [555](#)
XML
 length [557](#)
VARCHAR
 conversion to C [560](#)
 display size [557](#)
 length [557](#)
 precision [554](#)
 scale [555](#)
VARGRAPHIC [561](#)
vendor escape clauses
 disabling [513](#)
 function for determining [504](#)
 SQLNativeSql() [312](#)
 using [504](#)

W

writing Db2 ODBC applications [9](#)

X

X/Open CAE [24](#)
X/Open Company [1](#)
X/Open SQL CLI [1](#)
XML
 column updates [470](#)
 conversion to C [568](#)
 data retrieval [472](#)
 data types [470](#)
 display size [557](#)
 precision [554](#)
 scale [555](#)
XPLINK [41](#)
XPLINK applications
 link-editing [54](#)
XPLINK ODBC driver [41](#)
XPLINK, compiling [50](#)

Z

z/OS Unix
 diagnostic trace file [526](#)
z/OS UNIX
 activating diagnostic trace [521](#)
 compile application [50](#)
 DSNTEJ8 [53](#)
 DSNTEJ8X [53](#)
 environment setup [45](#)
 environment variable [58](#)
 execute application [56](#)
 export statements [58](#)
 prelink and link-edit [53](#)



Product Number: 5650-DB2
5770-AF3

SC27-8856-02

